



US00D390377S

**United States Patent** [19]  
**Whitehead et al.**

[11] **Patent Number:** **Des. 390,377**  
[45] **Date of Patent:** **\*\*Feb. 10, 1998**

[54] **MINI BALL RACK WITH THREE POLES**

[75] **Inventors:** **Stephen P. Whitehead, Elgin;**  
**Torrence Anderson; Michael G.**  
**Uffner, both of Naperville, all of Ill.**

[73] **Assignee:** **Suncast Corporation, Batavia, Ill.**

[\*\*] **Term:** **14 Years**

[21] **Appl. No.:** **51,172**

[22] **Filed:** **Mar. 5, 1996**

[51] **LOC (6) Cl.** ..... **20-03**

[52] **U.S. Cl.** ..... **D6/449; D20/10**

[58] **Field of Search** ..... **D20/10; D6/552,**  
**D6/449, 411, 475; 211/87, 35, 14, 105.1,**  
**86, 34; 248/250; D8/376, 71**

[56] **References Cited**

**U.S. PATENT DOCUMENTS**

D. 191,790	11/1961	Schaefer	.....	D34/5
D. 198,349	6/1964	Saunders	.....	D80/10
D. 203,513	1/1966	Warren	.....	D34/5
D. 237,231	10/1975	Wells	.....	D20/2
D. 240,421	7/1976	Rose	.....	D6/4
D. 261,571	11/1981	Hanson	.....	D3/38
D. 283,472	4/1986	Wattles	.....	D6/463
D. 283,568	4/1986	Valley	.....	D6/429
D. 290,201	6/1987	Wilder	.....	D6/464
D. 303,600	9/1989	Thompson et al.	.....	D6/552
D. 309,226	7/1990	Wilcox	.....	D6/552
D. 309,998	8/1990	Sumrell et al.	.....	D6/567
D. 323,591	2/1992	Stavitz	.....	D6/449 X
D. 325,133	4/1992	Stavitz	.....	D6/449 X
D. 371,022	6/1996	Saper	.....	D6/449
466,608	1/1892	Landis	.	
797,614	8/1905	Schipkowsky	.	
860,278	7/1907	Botkin	.	
913,228	2/1909	McCarthy	.	
929,519	7/1909	True	.	
1,733,487	10/1929	Hackley	.	
1,869,226	7/1932	Subick	.....	248/215
2,060,760	11/1936	Keil	.....	211/87
2,090,108	8/1937	Cicero	.....	211/35
2,122,336	6/1938	Berry	.....	211/88
2,271,784	2/1942	Tritt	.....	248/220

2,633,998	4/1953	Derman	.....	211/104
2,767,854	10/1956	Barrett	.....	211/13
2,885,090	5/1959	Forman et al.	.....	211/175
2,930,486	3/1960	Hoover	.....	211/44
2,950,003	8/1960	Simmons et al.	.....	206/75
2,972,417	2/1961	Smith	.....	211/71
3,220,363	11/1965	Gingher	.....	108/144
3,565,020	2/1971	Schier	.....	108/152
3,650,407	3/1972	Benham, Jr.	.....	211/14
3,669,395	6/1972	Gehrke	.....	248/235
3,698,563	10/1972	Gordon et al.	.....	211/13

(List continued on next page.)

**FOREIGN PATENT DOCUMENTS**

501564	4/1954	Canada	.	
1272708	8/1961	France	.	
1273324	8/1961	France	.	
1274556	9/1961	France	.	
1467884	12/1966	France	.	
2609790	9/1976	Germany	.	
096105	2/1988	Taiwan	.	
15722	of 1909	United Kingdom	.	
253810	6/1926	United Kingdom	.	
261537	11/1926	United Kingdom	.	
627398	8/1949	United Kingdom	.	
2156199	10/1985	United Kingdom	.....	A47B 96/02
WO 91/05693	5/1991	WIPO	.	

*Primary Examiner*—Susan J. Lucas  
*Assistant Examiner*—Jennifer Rivard  
*Attorney, Agent, or Firm*—Thomas W. Tolpin

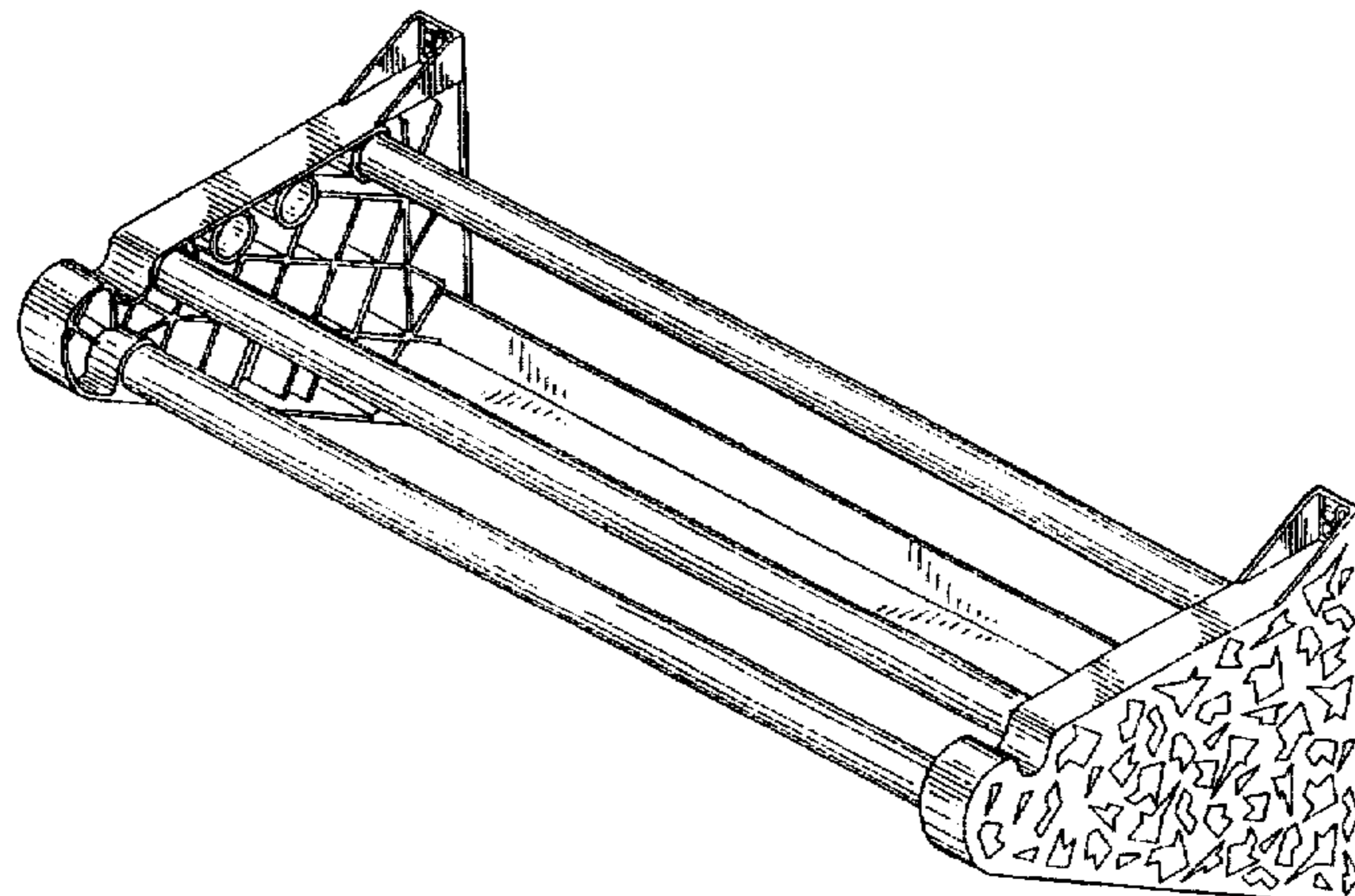
[57] **CLAIM**

The ornamental design for a mini ball rack with three poles, as shown and described.

**DESCRIPTION**

FIG. 1 is a perspective view of the mini ball rack with three poles invention;  
FIG. 2 is an front view thereof;  
FIG. 3 is a top view thereof;  
FIG. 4 is a right end view, the left end view forming a mirror image of said right side and thus is not shown;  
FIG. 5 is a bottom view; and,  
FIG. 6 is a back view thereof.

**1 Claim, 3 Drawing Sheets**



## U.S. PATENT DOCUMENTS

3,788,241	1/1974	Ravreby .....	108/6	4,633,789	1/1987	Kortering et al. ....	108/152
3,869,137	3/1975	Byrom .....	280/47.19	4,643,317	2/1987	Wilkinson et al. ....	211/14
3,888,353	6/1975	Leifheit .....	211/37	4,674,967	6/1987	Oseka .....	425/110
3,997,060	12/1976	Kunin .....	211/126	4,676,539	6/1987	Potocnjak .....	294/67.4
4,002,241	1/1977	Parrilla, Sr. ....	211/88	4,678,087	7/1987	York .....	211/70.5
4,049,126	9/1977	Halverson .....	211/104	4,708,310	11/1987	Smith .....	248/220
4,154,442	5/1979	Trubody et al. ....	273/29	4,776,650	10/1988	Ferenzi .....	312/245
4,162,013	7/1979	Tucker .....	211/43	4,854,456	8/1989	Lee .....	211/14
4,178,844	12/1979	Ward et al. ....	99/449	4,863,082	9/1989	Evans et al. ....	244/42
4,188,890	2/1980	deVillers .....	108/30	4,871,074	10/1989	Bryson et al. ....	211/13
4,193,495	3/1980	Keeley .....	206/315	4,936,467	6/1990	Bobeczko .....	211/14
4,277,710	7/1981	Laub .....	280/47	5,014,948	5/1991	Asaro et al. ....	248/215
4,315,633	2/1982	Boeddeker et al. ....	280/79.3	5,188,246	2/1993	Maxworthy .....	211/153
4,376,521	3/1983	Walters .....	248/206	5,203,462	4/1993	Brooks .....	211/14
4,561,547	12/1985	Estwanik, III .....	211/14	5,253,837	10/1993	Loux .....	248/250
4,583,647	4/1986	Schinzing .....	211/60.1	5,294,005	3/1994	Hedges .....	211/13
4,629,065	12/1986	Braaten .....	206/315.1	5,325,973	7/1994	Reedy .....	211/18
				5,413,228	5/1995	Le Clerc .....	211/87



FIG. 1

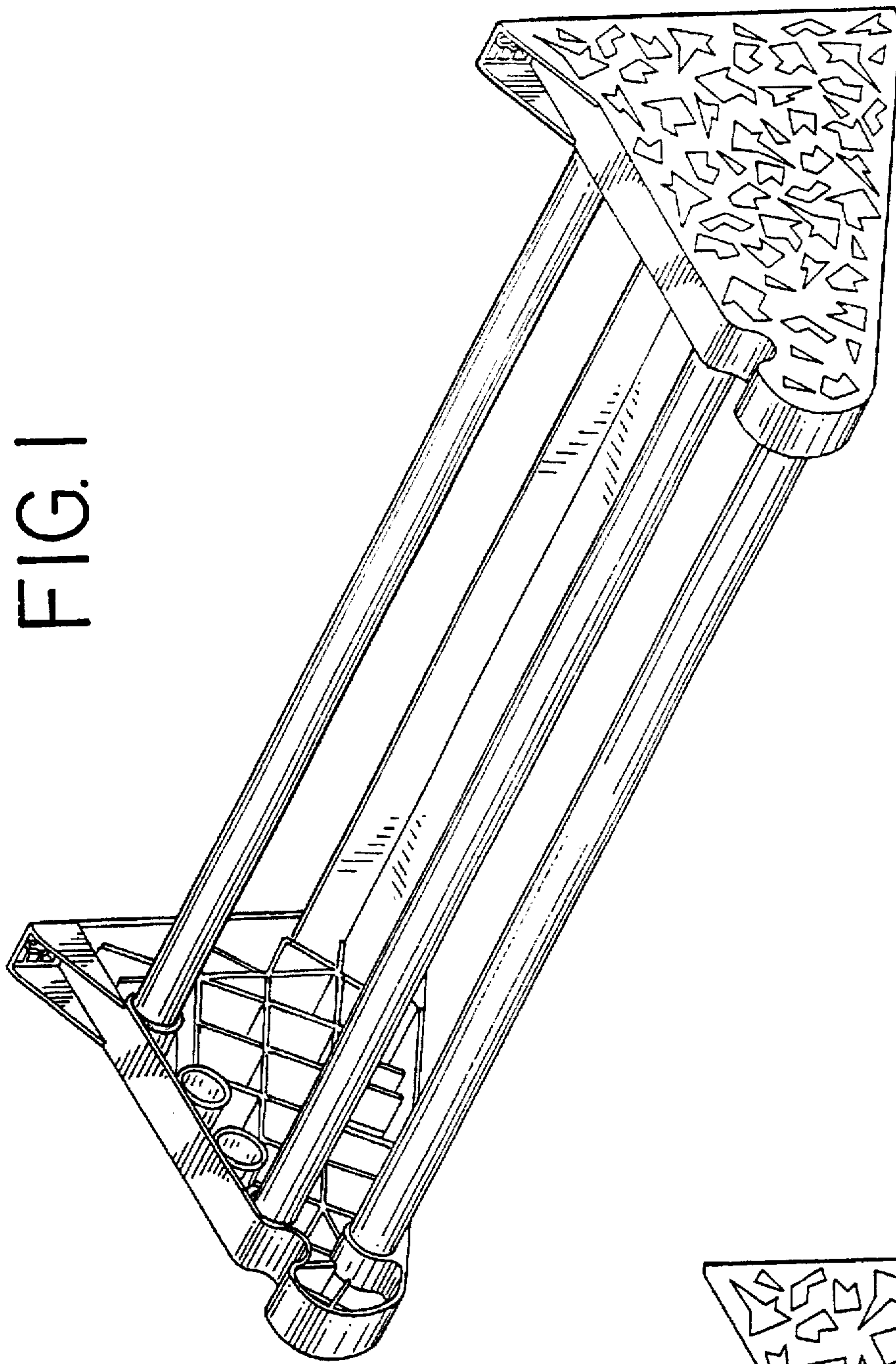


FIG. 4

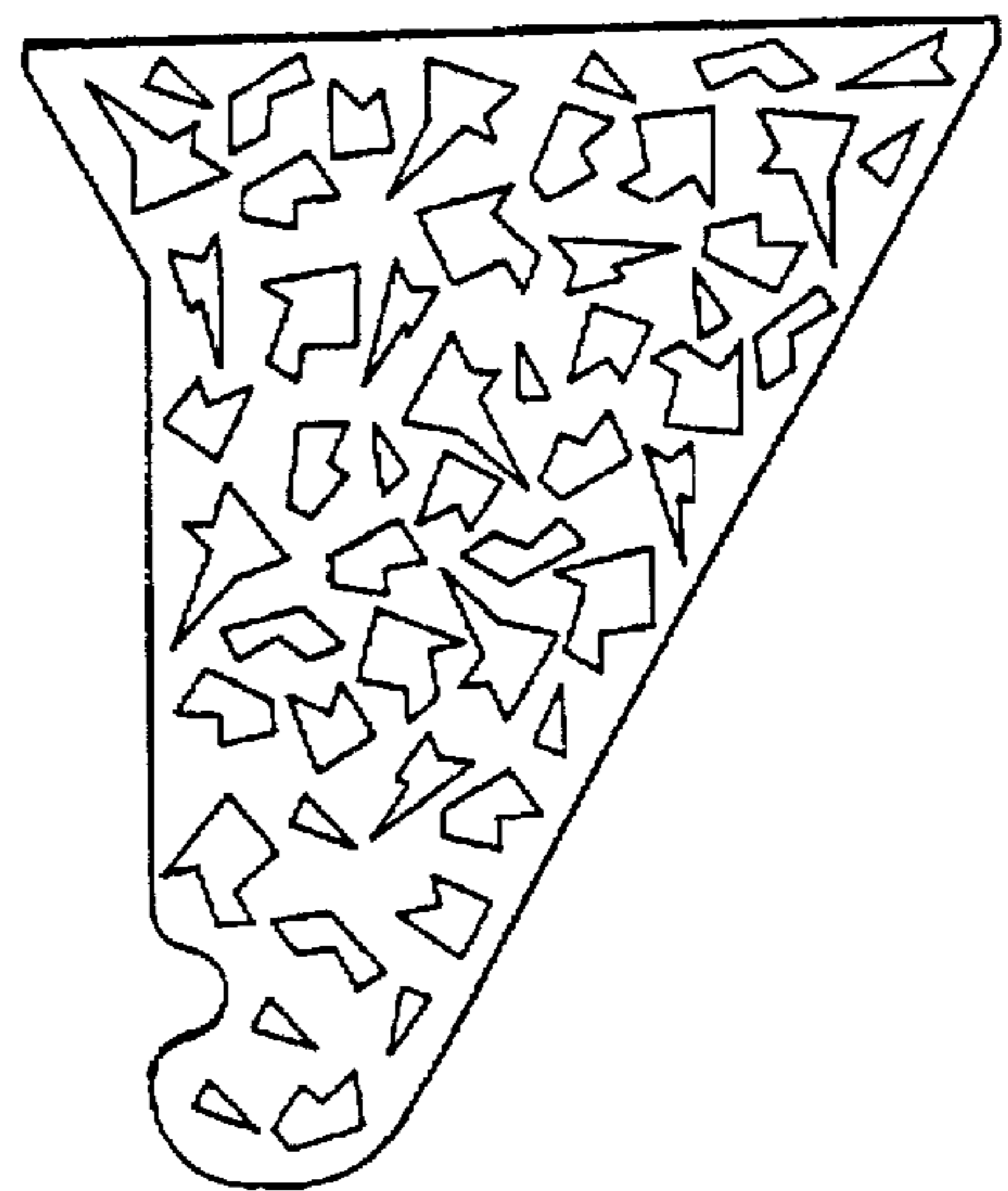


FIG. 2

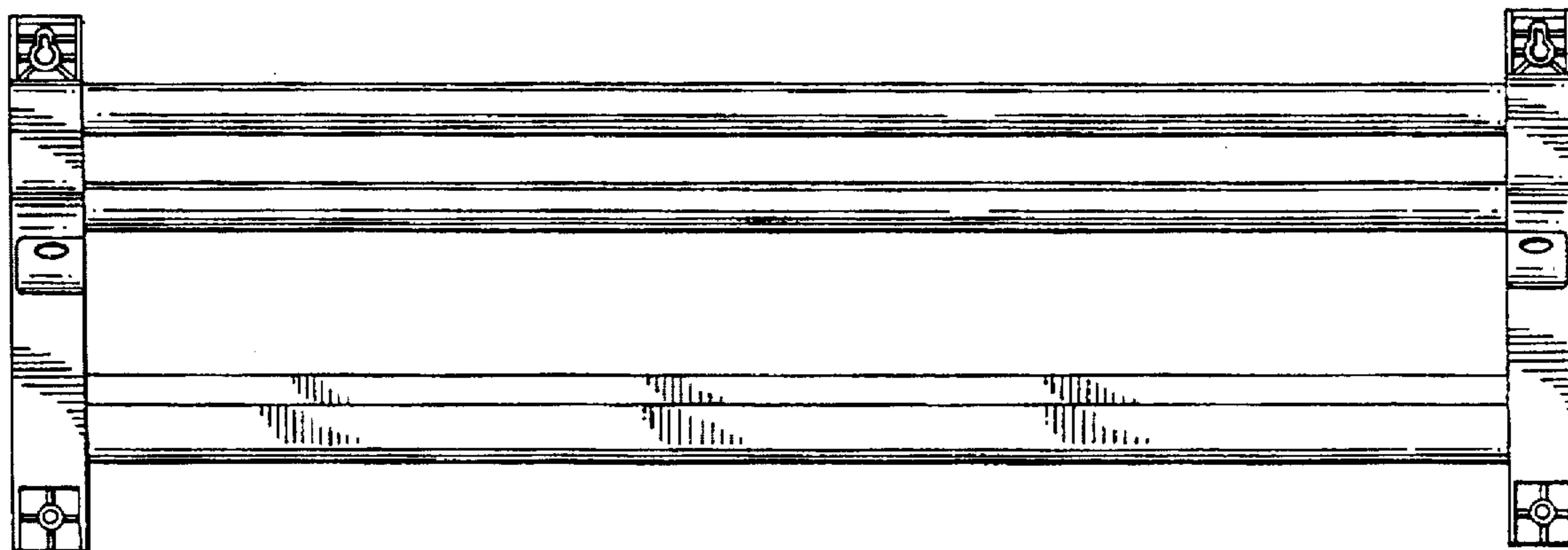


FIG. 3

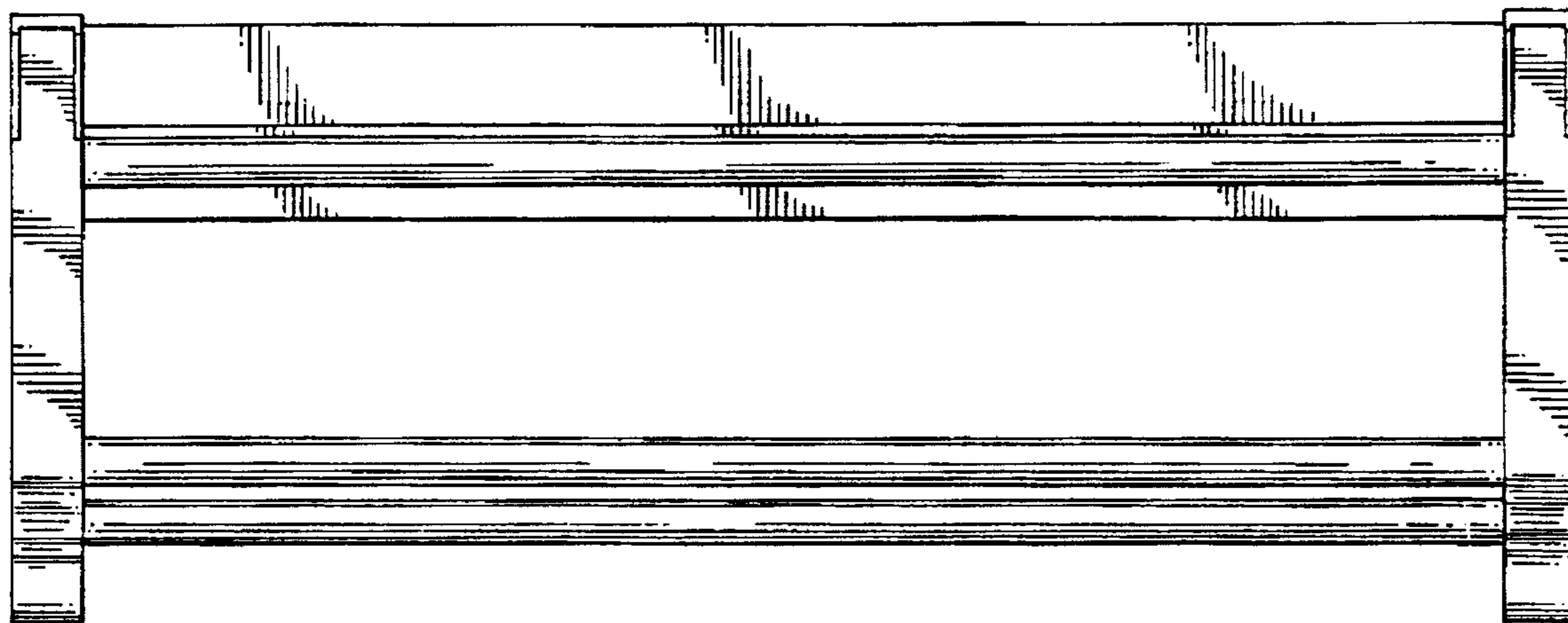


FIG. 5

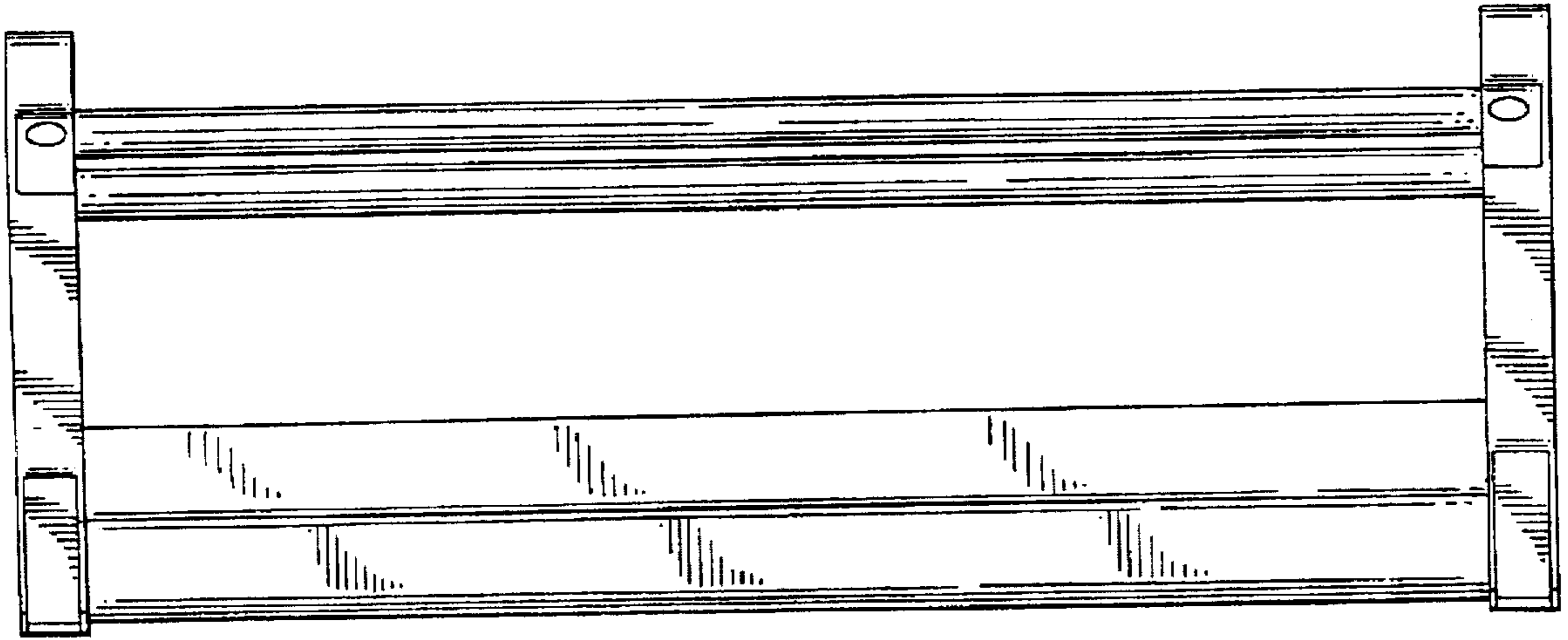


FIG. 6

