



US00D390369S

United States Patent [19]

Breen

[11] Patent Number: **Des. 390,369**

[45] Date of Patent: ****Feb. 10, 1998**

[54] CHAIR

[75] Inventor: **William R. Breen**, Etobicoke, Canada

[73] Assignee: **Nightingale Inc.**, Mississauga, Canada

[**] Term: **14 Years**

[21] Appl. No.: **67,938**

[22] Filed: **Mar. 12, 1997**

[51] LOC (6) Cl. **06-01**

[52] U.S. Cl. **D6/366**

[58] Field of Search D6/334, 364, 365,
D6/366, 367, 379, 500, 501, 502; 297/411.2,
411.28

[56] **References Cited**

U.S. PATENT DOCUMENTS

D. 199,308	10/1964	Petitt	D6/366 X
D. 259,000	4/1981	Vogtherr	D6/366
D. 276,957	1/1985	Schultz	D6/366
D. 292,655	11/1987	Hendrick	D6/366
D. 298,188	10/1988	Hensel	D6/366
D. 301,662	6/1989	Vonhausen	D6/366
D. 308,310	6/1990	Wilson	D6/502
D. 318,763	8/1991	George et al.	D6/366
D. 321,993	12/1991	Zagaroli et al.	D6/366
D. 322,898	1/1992	Zapf	D6/366

D. 331,154	11/1992	Sheridan	D6/366
D. 354,178	1/1995	Ochsner	D6/366
D. 369,705	5/1996	George et al.	D6/500

Primary Examiner—Gary D. Watson
Attorney, Agent, or Firm—Barrigar & moss

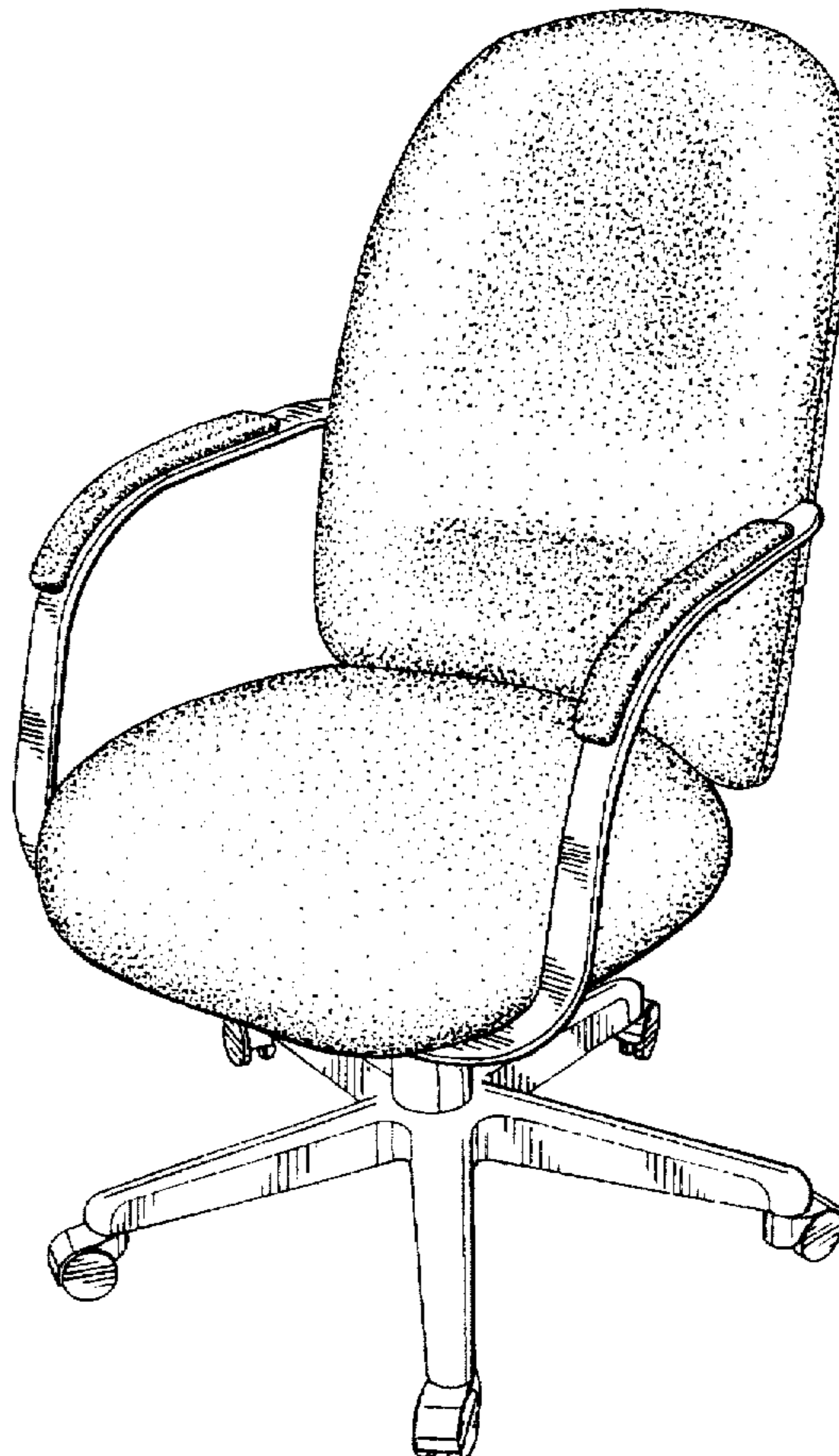
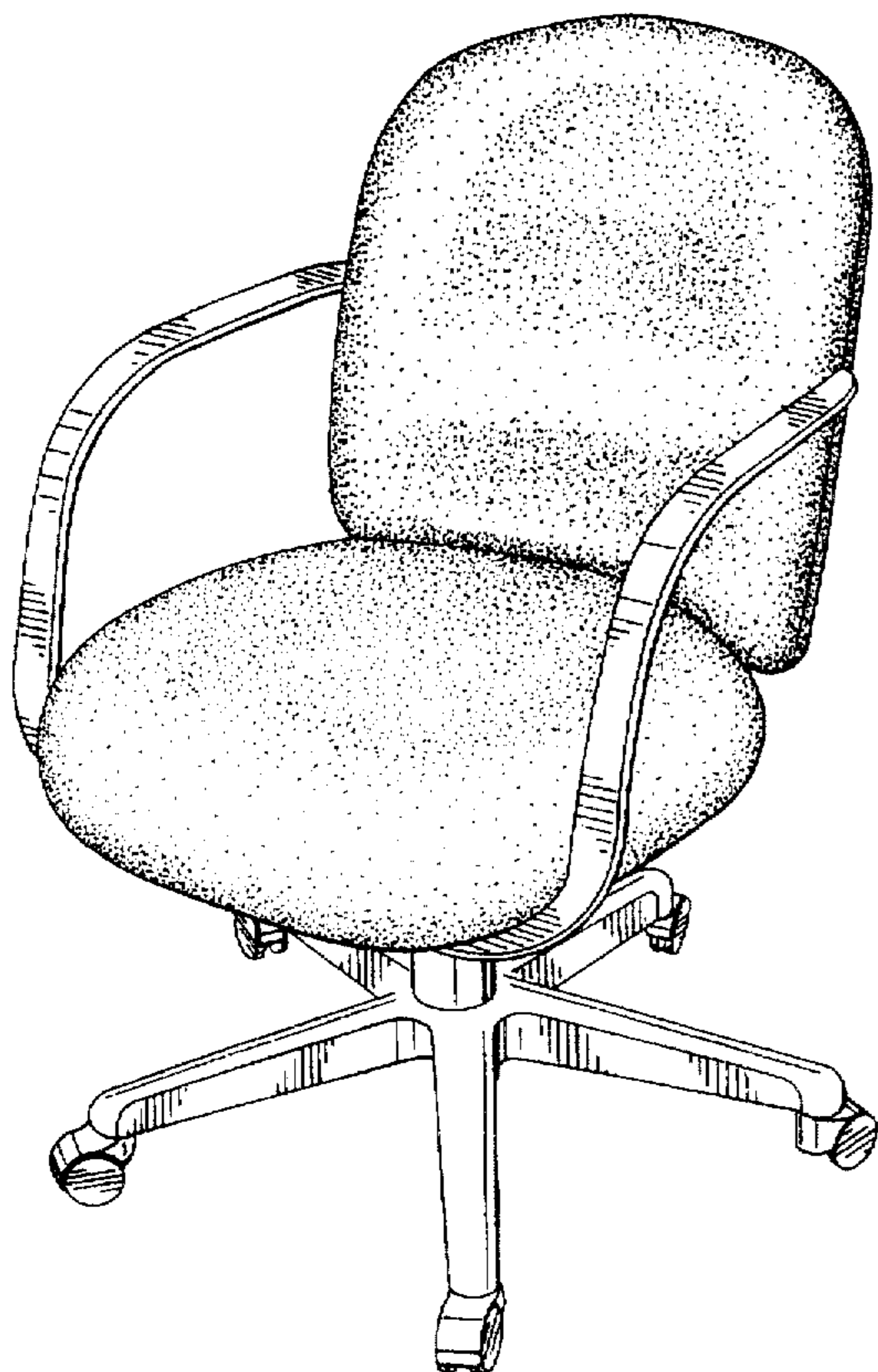
[57] **CLAIM**

The ornamental design for a chair, as shown and described.

DESCRIPTION

FIG. 1 is a perspective view of a chair taken from above and from the left side showing my new design;
 FIG. 2 is a rear elevational view of the chair of FIG. 1;
 FIG. 3 is a right side elevational view of the chair of FIG. 1, the left side being a mirror image thereof;
 FIG. 4 is a front elevational view of the chair of FIG. 1;
 FIG. 5 is a top plan view of the chair of FIG. 1;
 FIG. 6 is a perspective view similar to FIG. 1, but showing a second embodiment of a chair showing my new design;
 FIG. 7 is a rear elevational view of the chair shown in FIG. 6;
 FIG. 8 is a right side elevational view of the chair shown in FIG. 6, the left side being a mirror image thereof;
 FIG. 9 is a front elevational view of the chair shown in FIG. 6; and,
 FIG. 10 is a top plan view of the chair shown in FIG. 6.

1 Claim, 6 Drawing Sheets



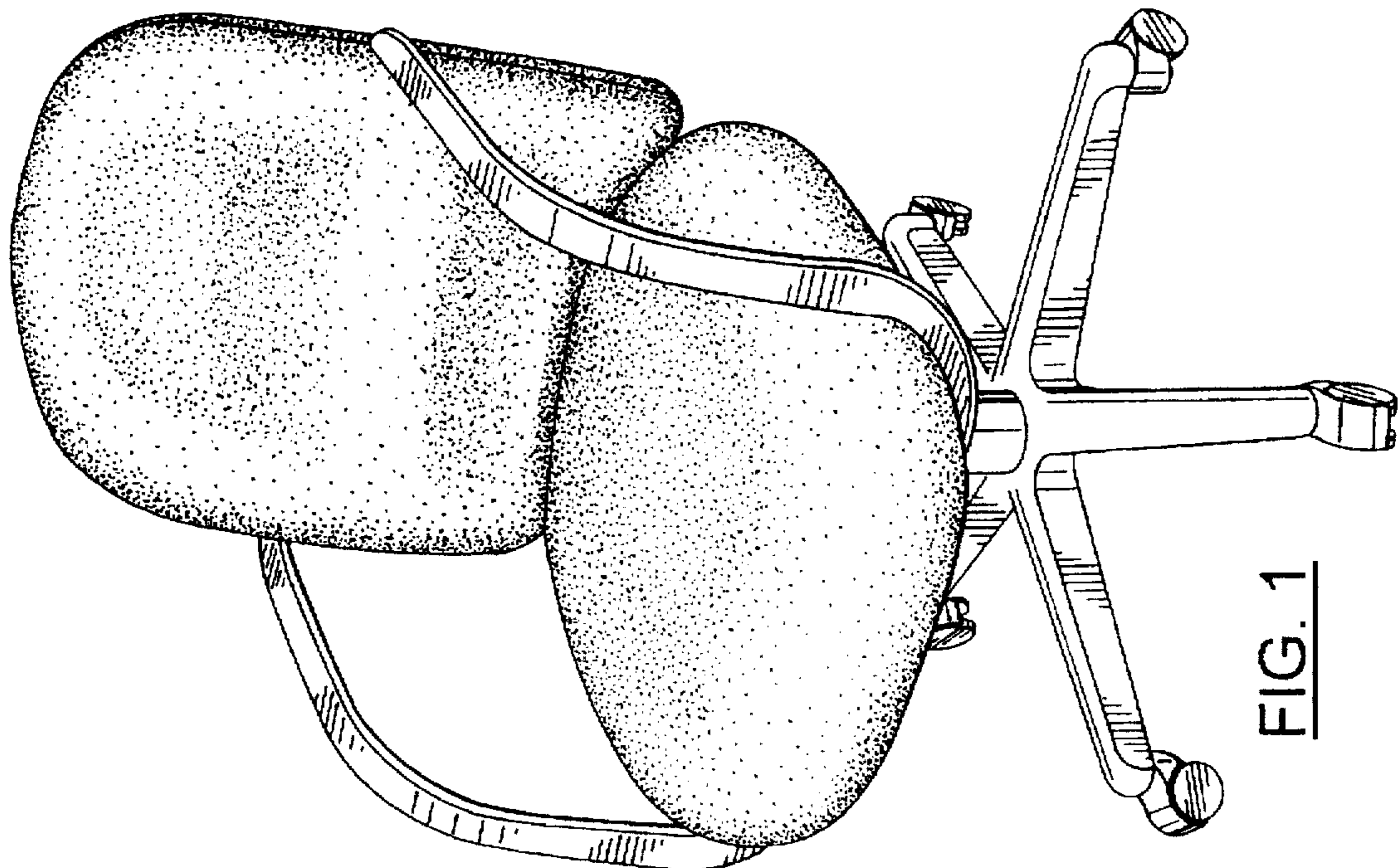


FIG. 1

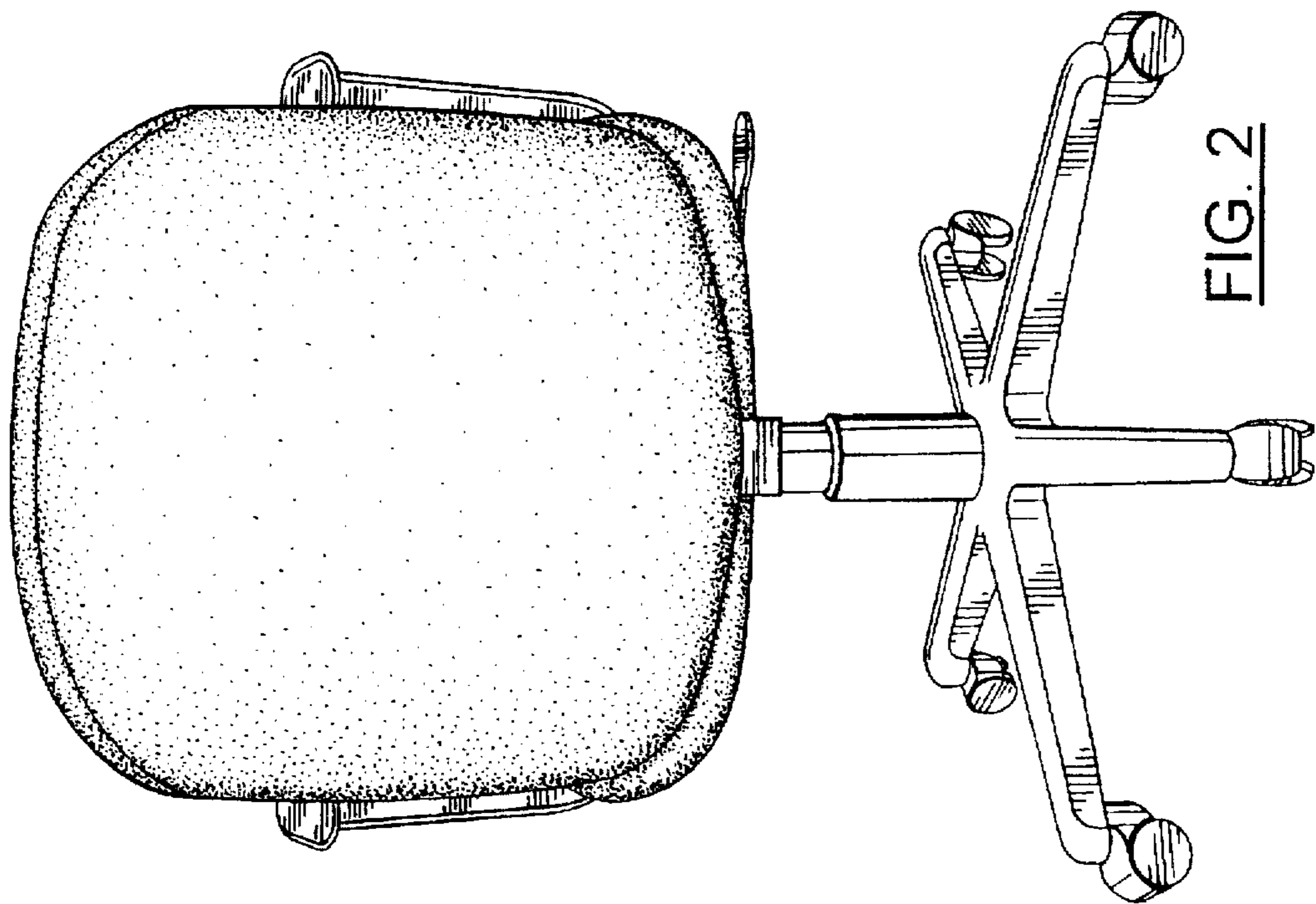


FIG. 2

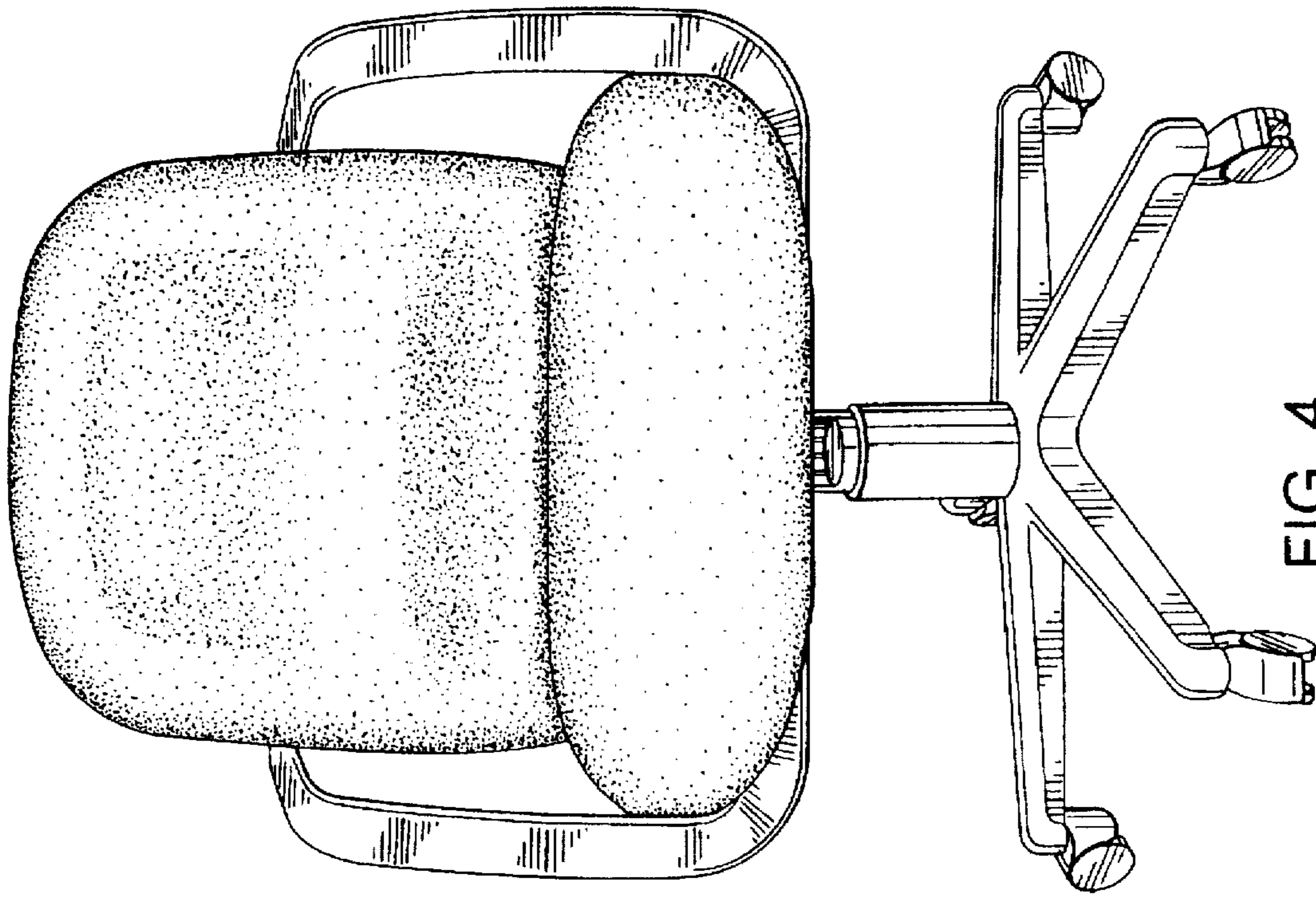


FIG. 4

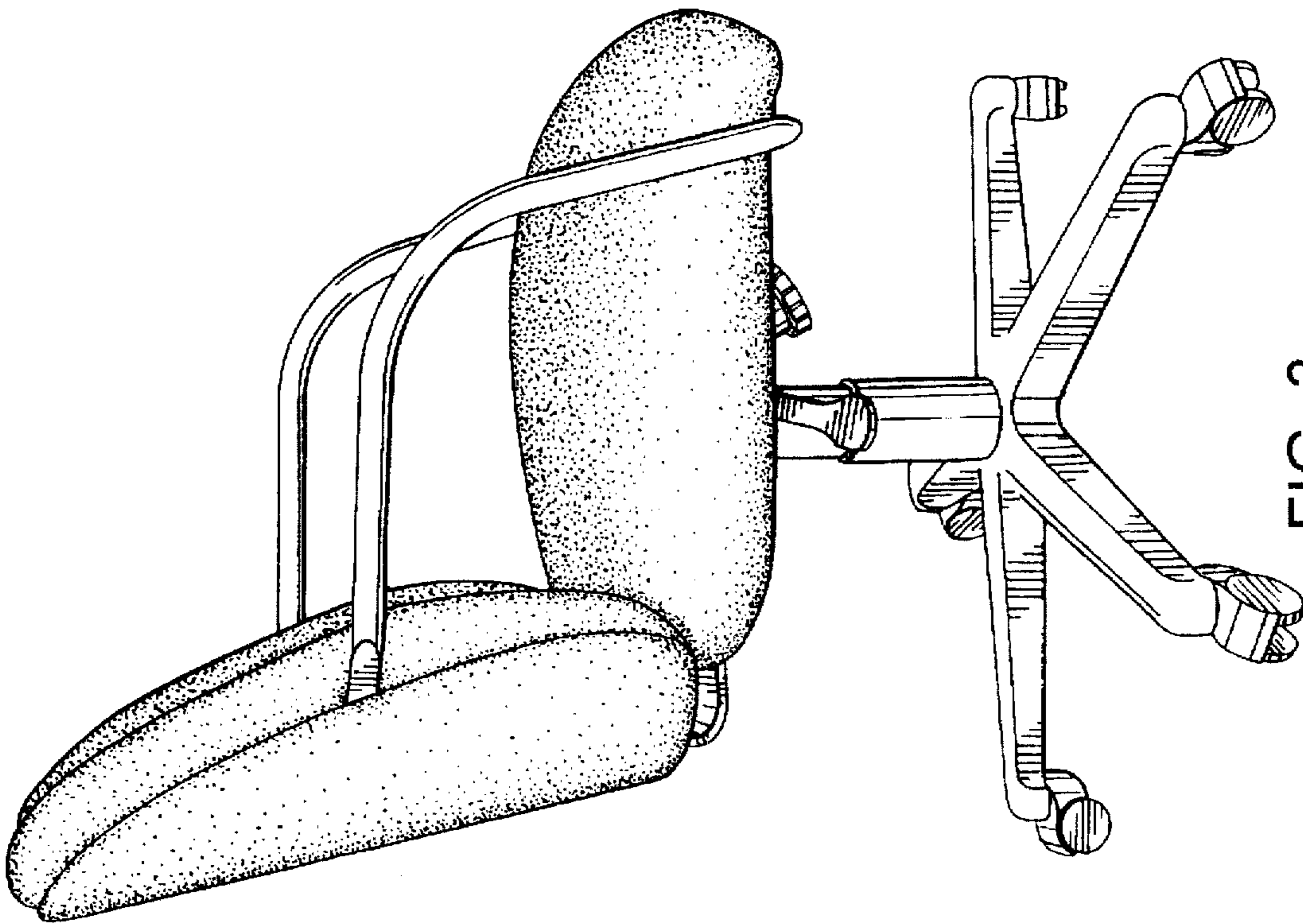


FIG. 3

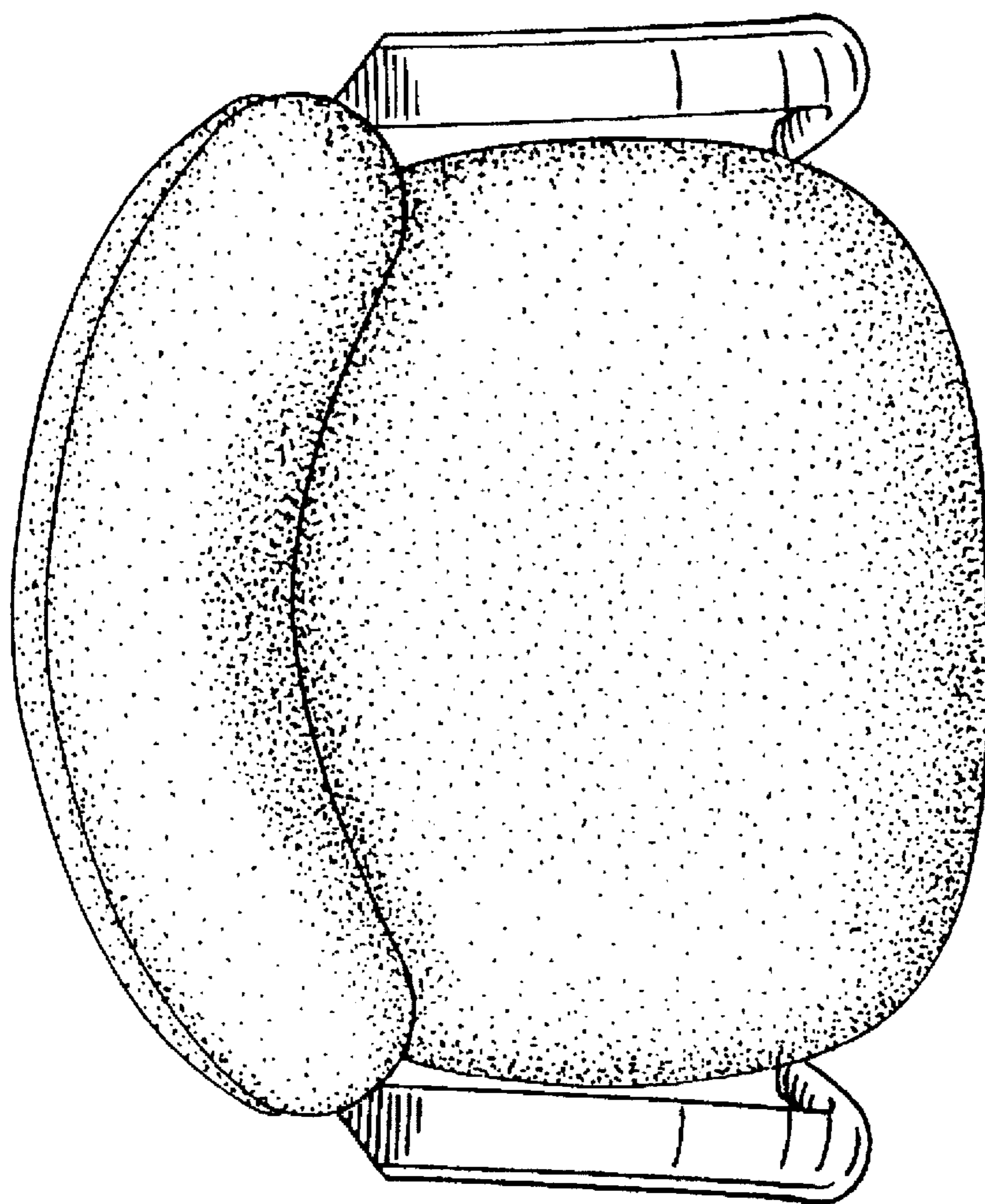


FIG. 5

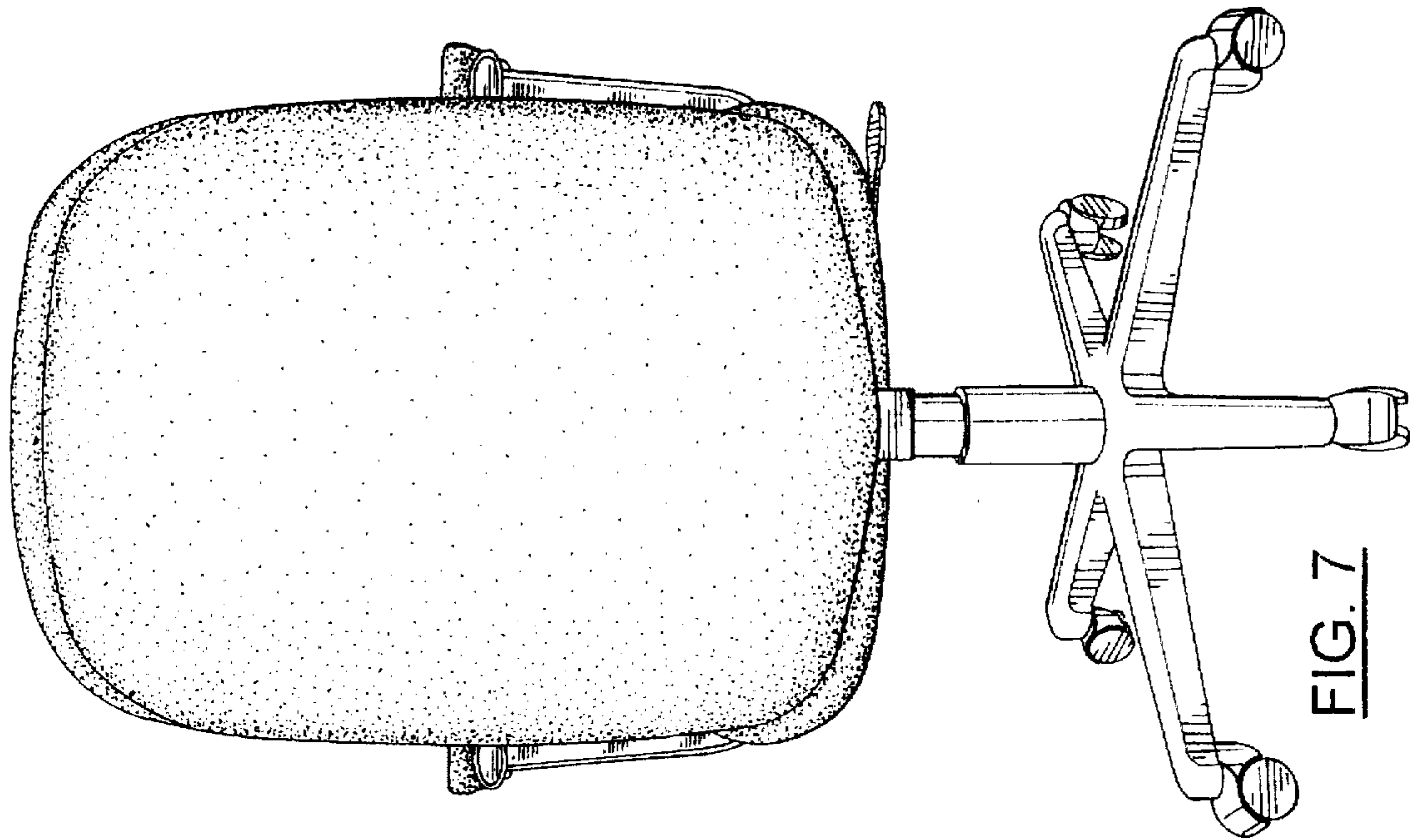


FIG. 7

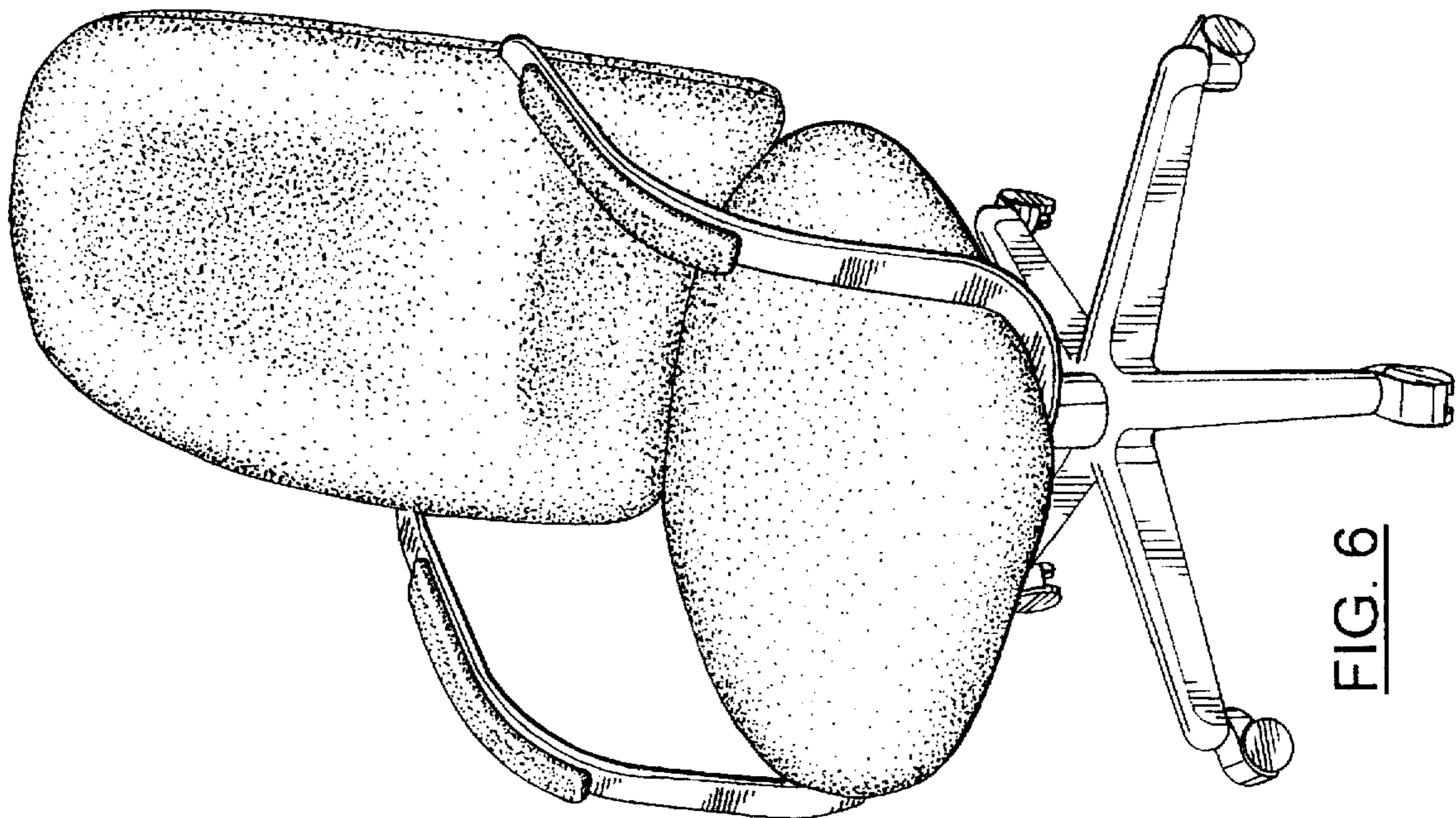


FIG. 6

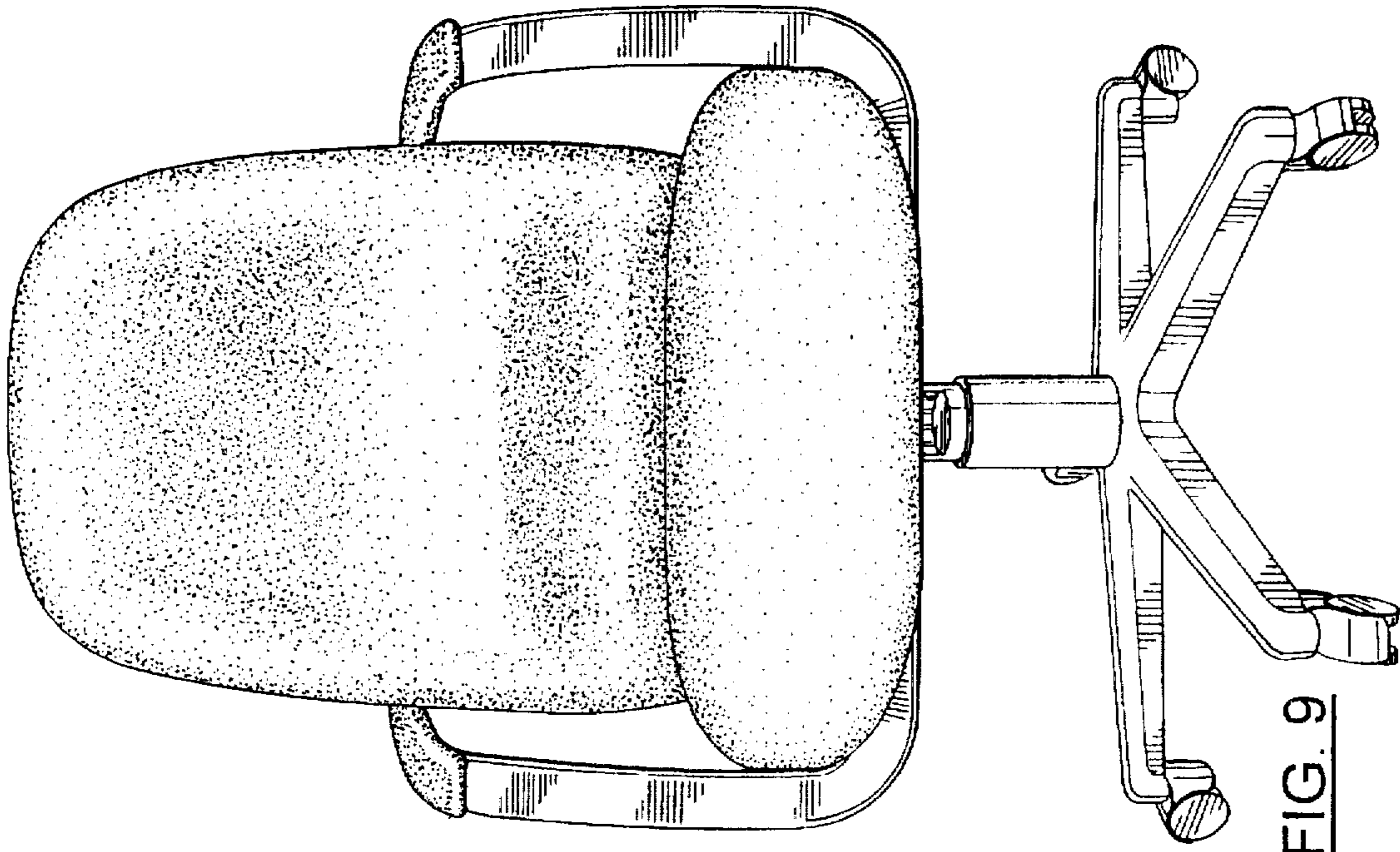


FIG. 9

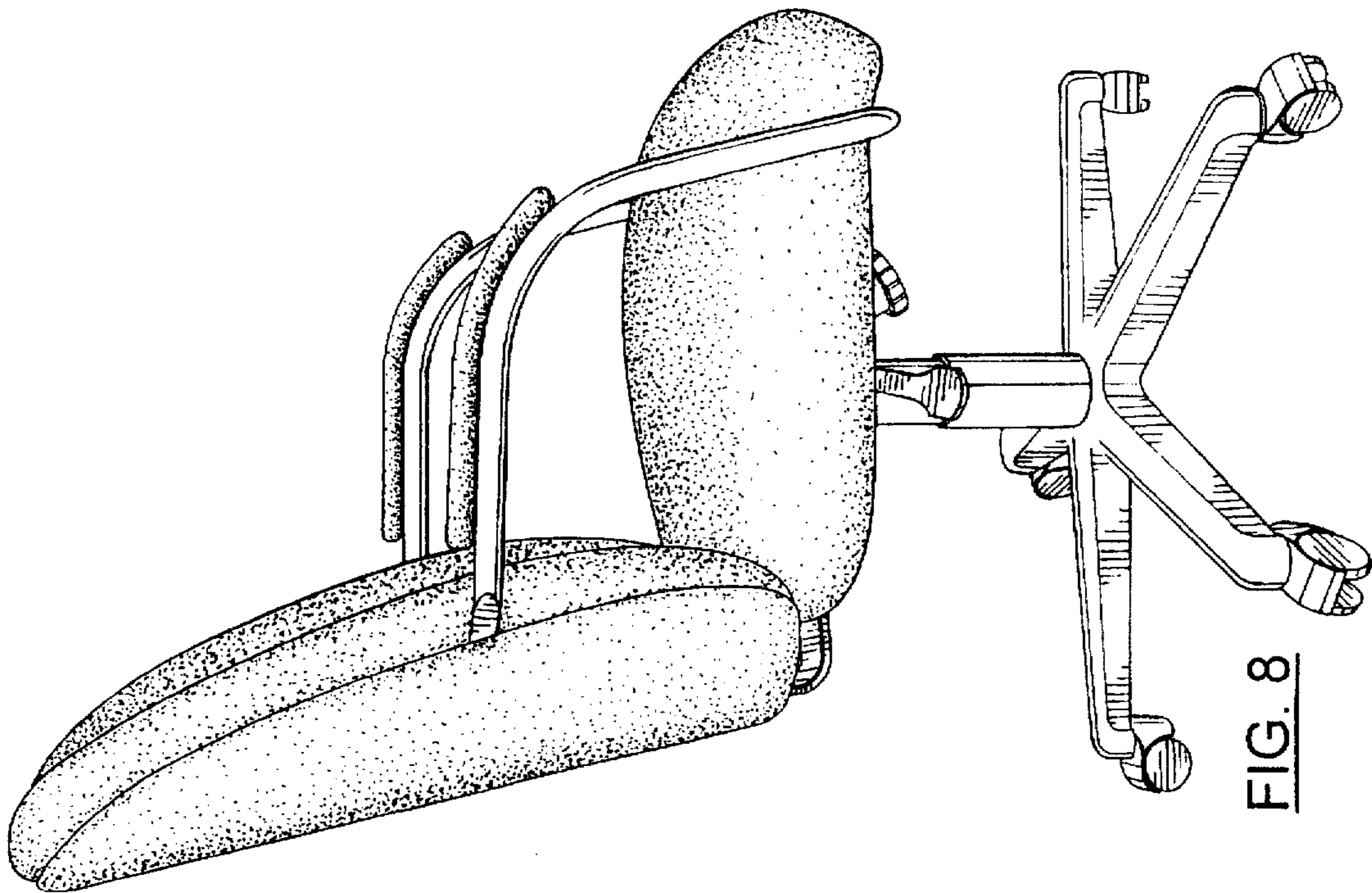


FIG. 8

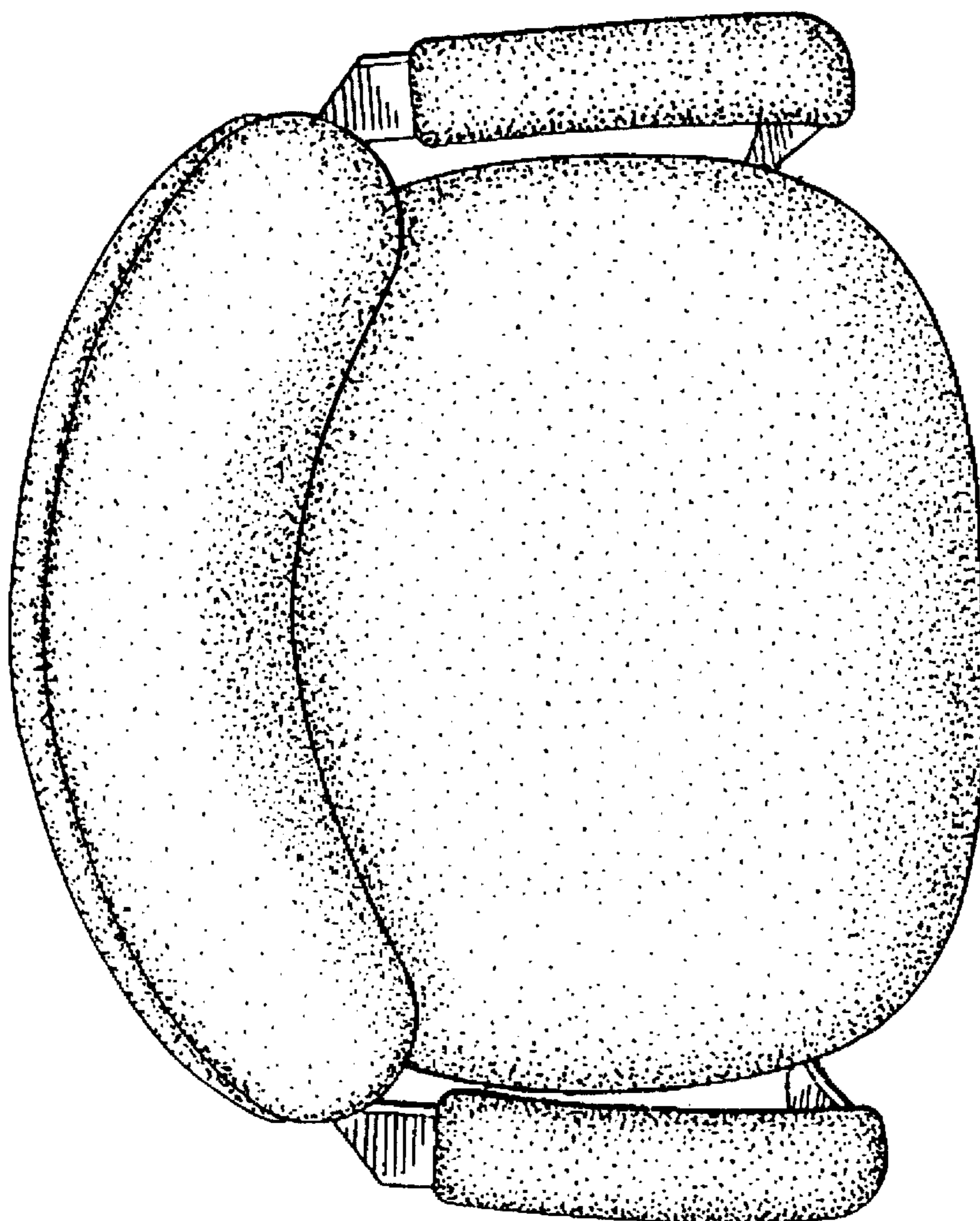


FIG. 10