

US00D390368S

United States Patent [19]

Tseng

[11] Patent Number: **Des. 390,368**

[45] Date of Patent: ****Feb. 10, 1998**

[54] **CHAISE LOUNGE**

[75] Inventor: **Chuen-Jong Tseng**, Chiayi Hsien, Taiwan

[73] Assignee: **Shin Yen Enterprise Co., Ltd.**, Taiwan

[**] Term: **14 Years**

[21] Appl. No.: **60,269**

[22] Filed: **Sep. 24, 1996**

[51] LOC (6) Cl. **06-01**

[52] U.S. Cl. **D6/361**

[58] Field of Search D6/334, 360, 361, D6/367, 370, 374, 500, 501, 502; 297/377

[56] **References Cited**

U.S. PATENT DOCUMENTS

D. 285,873 9/1986 Criqui D6/361

OTHER PUBLICATIONS

Interiors New Product Portfolio, p. 7, Tropitone lounge at top right, 1987.

Tropitone Lounge #5832 at top, 1989.

Tradewinds, p. 1, Gulf Winds lounge #91450 at top, Dec. 13, 1989.

Primary Examiner—Gary D. Watson
Attorney, Agent, or Firm—Ladas & Parry

[57] **CLAIM**

The ornamental design for a chaise lounge, as shown and described.

DESCRIPTION

FIG. 1 is a perspective view of a chaise lounge showing my new design;

FIG. 2 is a front elevational view thereof;

FIG. 3 is a rear elevational view thereof;

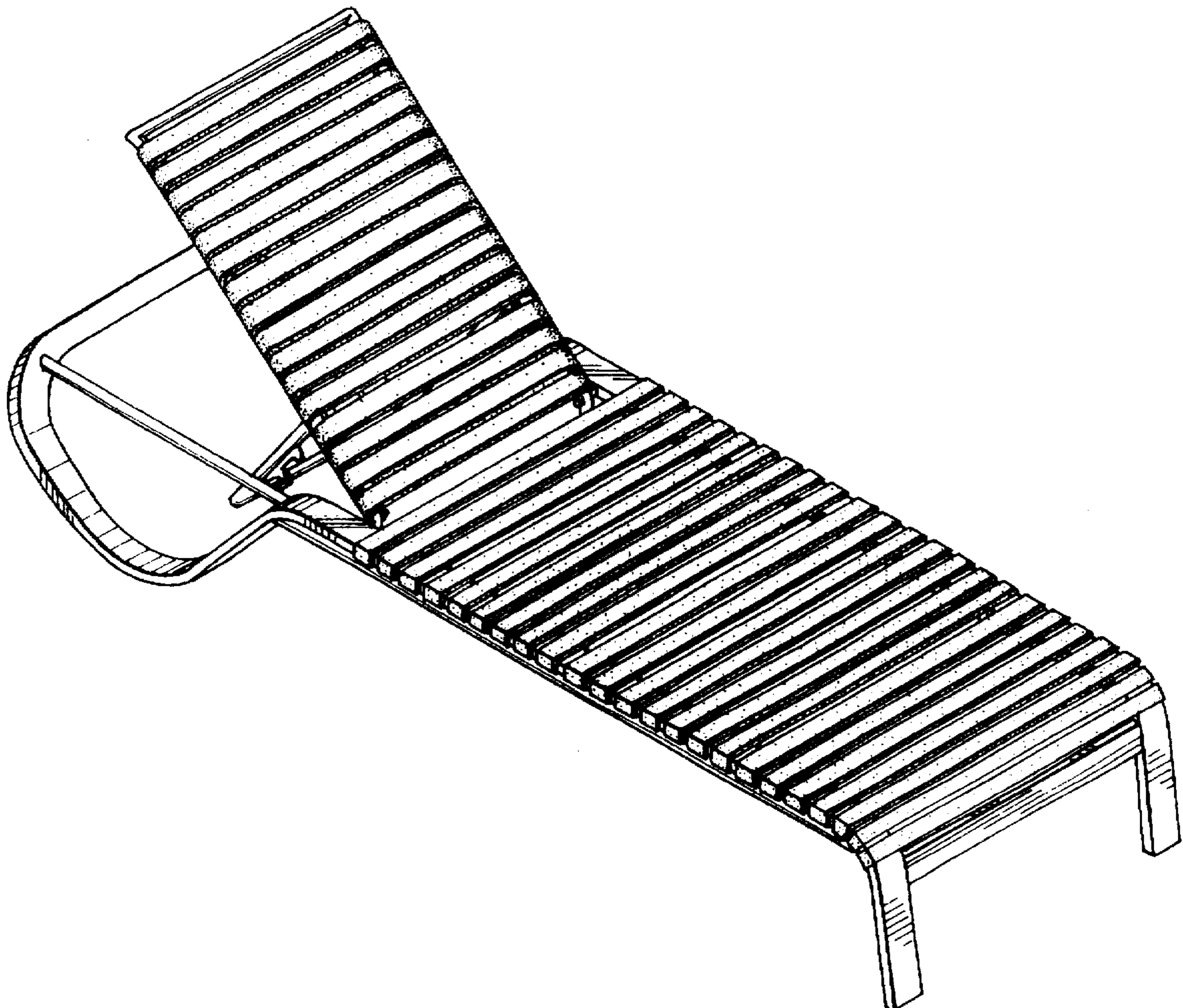
FIG. 4 is a left side elevational view thereof;

FIG. 5 is a right side elevational view thereof;

FIG. 6 is a top plan view thereof; and,

FIG. 7 is a bottom plan view thereof.

1 Claim, 5 Drawing Sheets



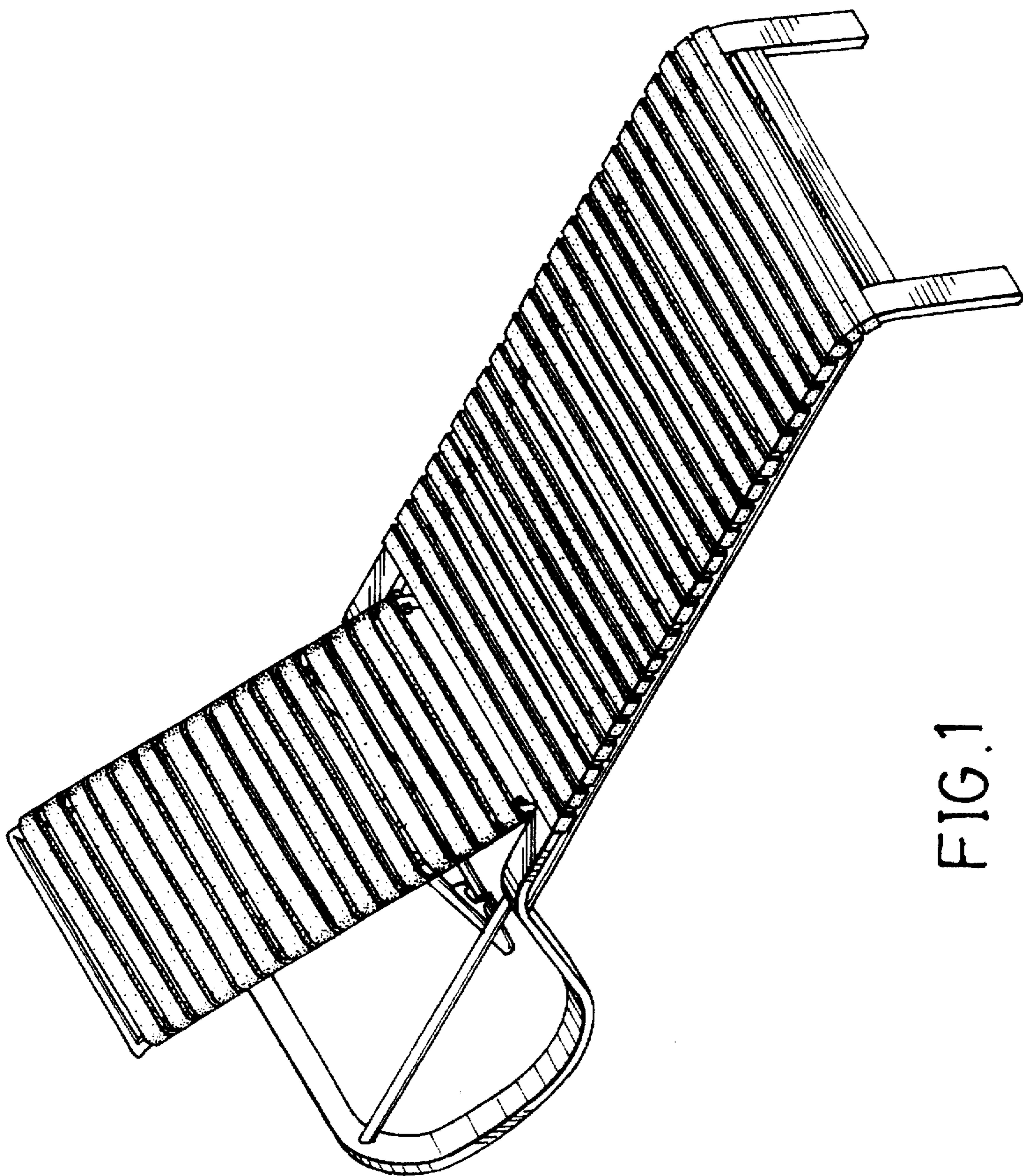


FIG. 1

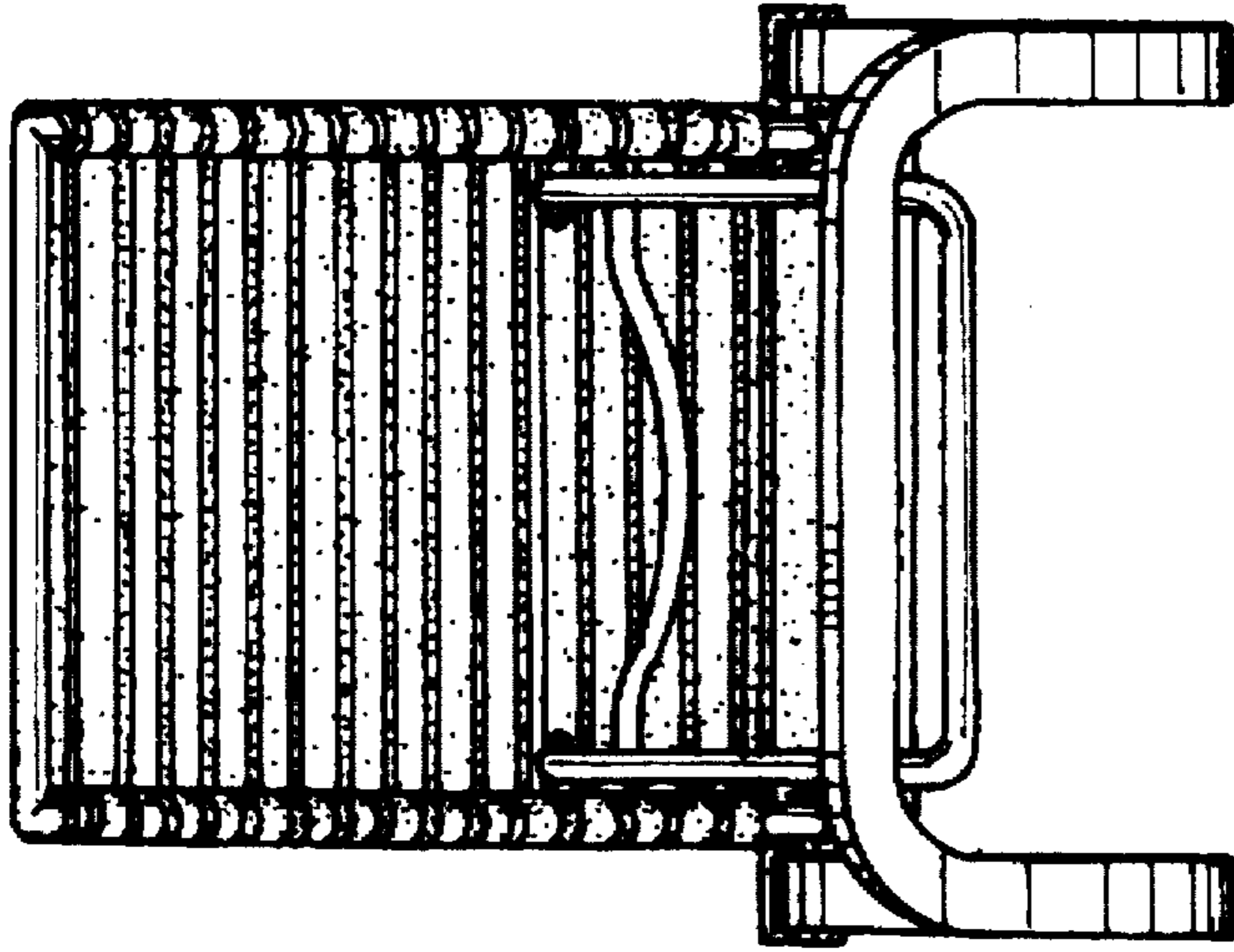


FIG. 3

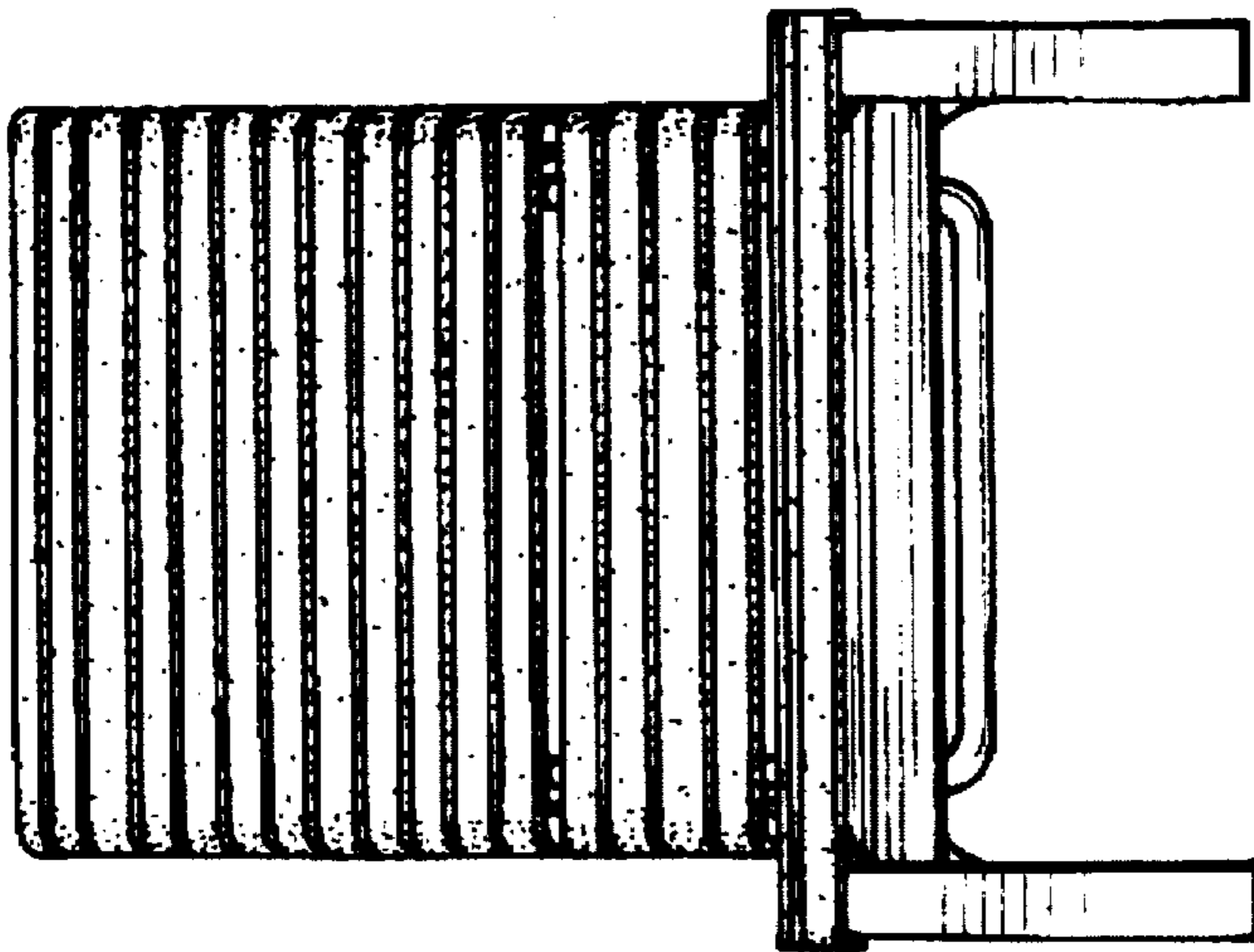


FIG. 2

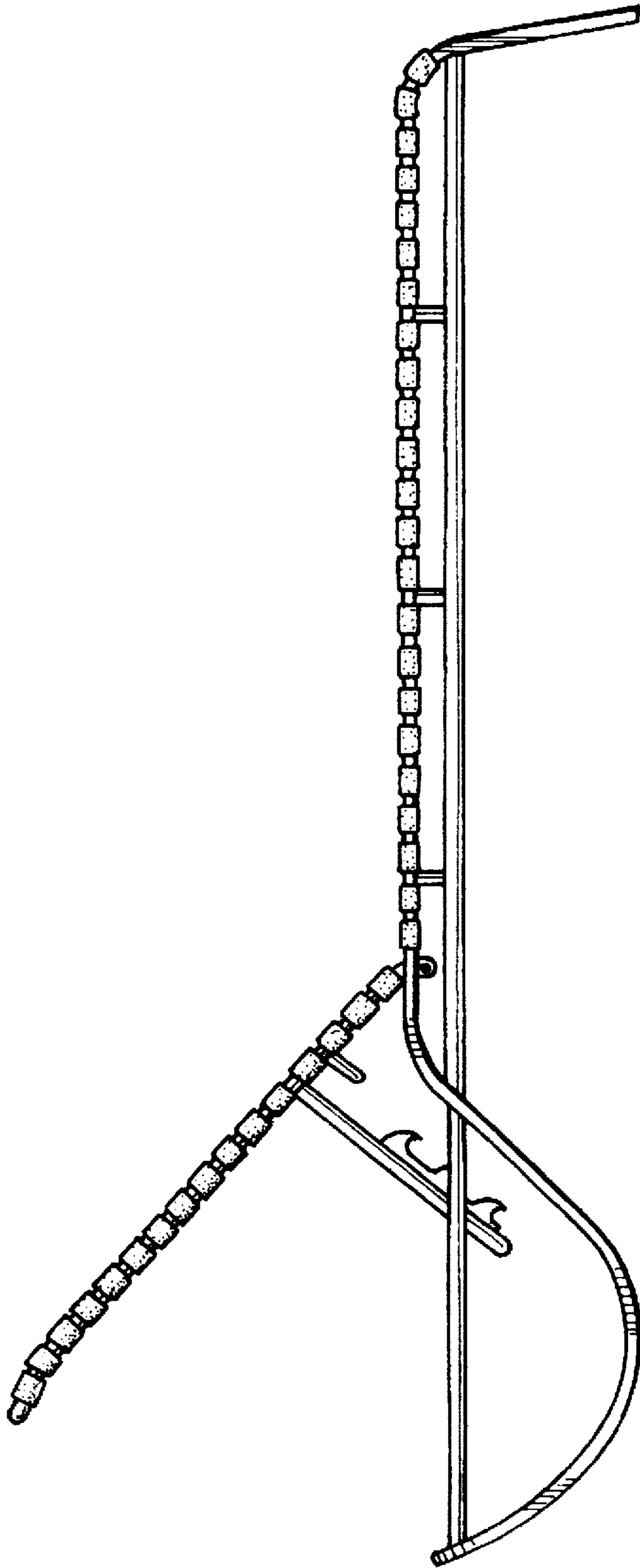


FIG. 4

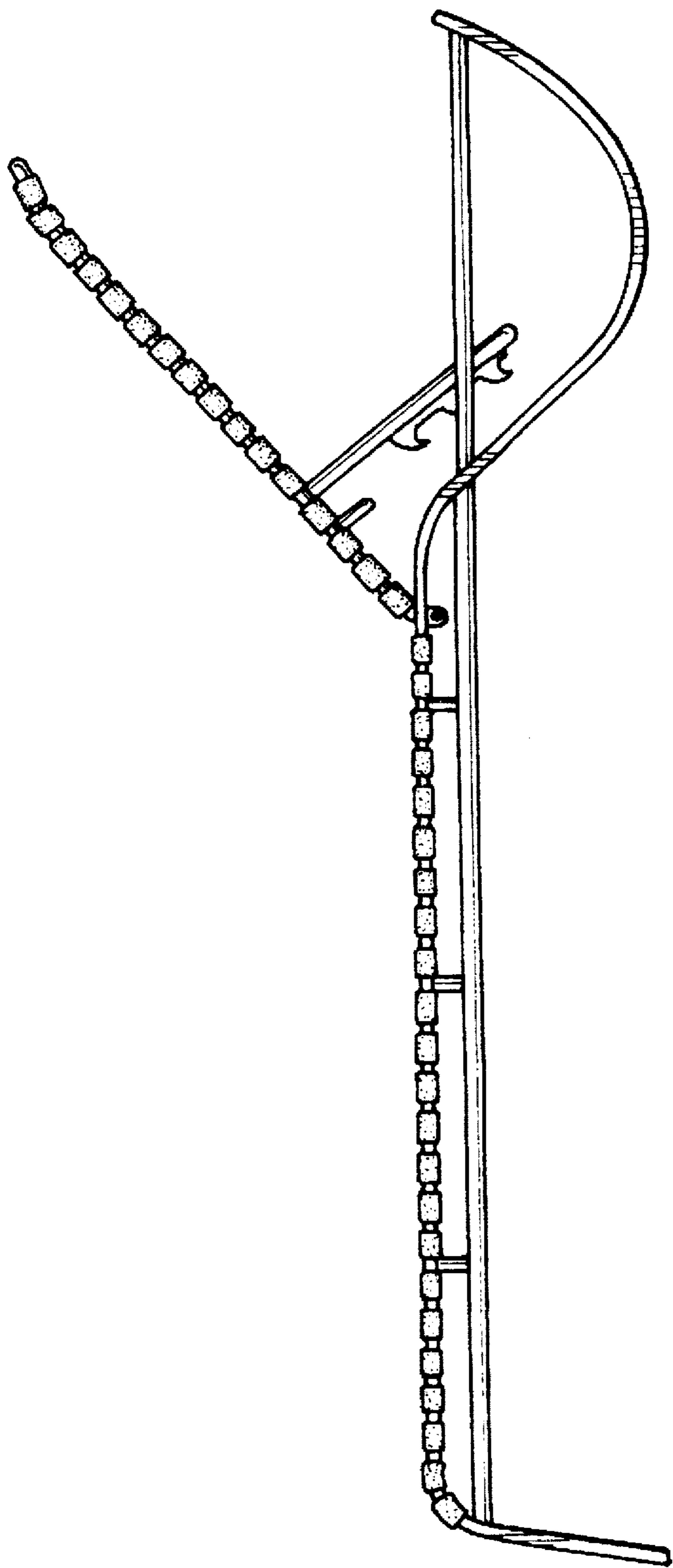


FIG. 5

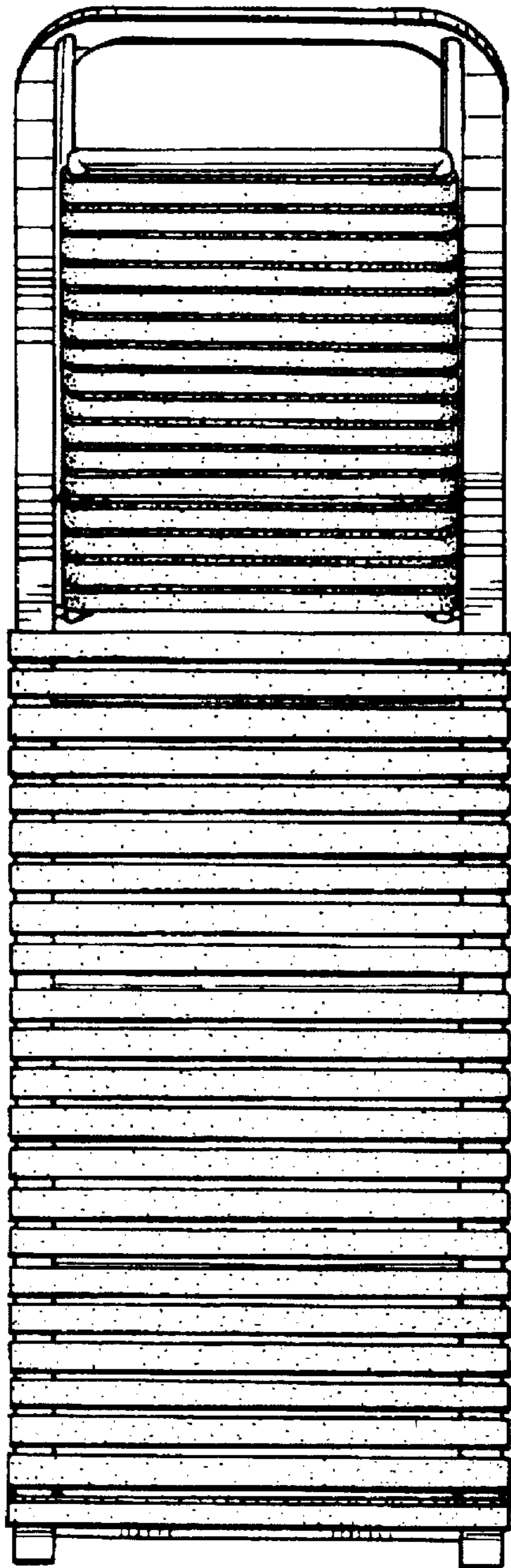


FIG. 6

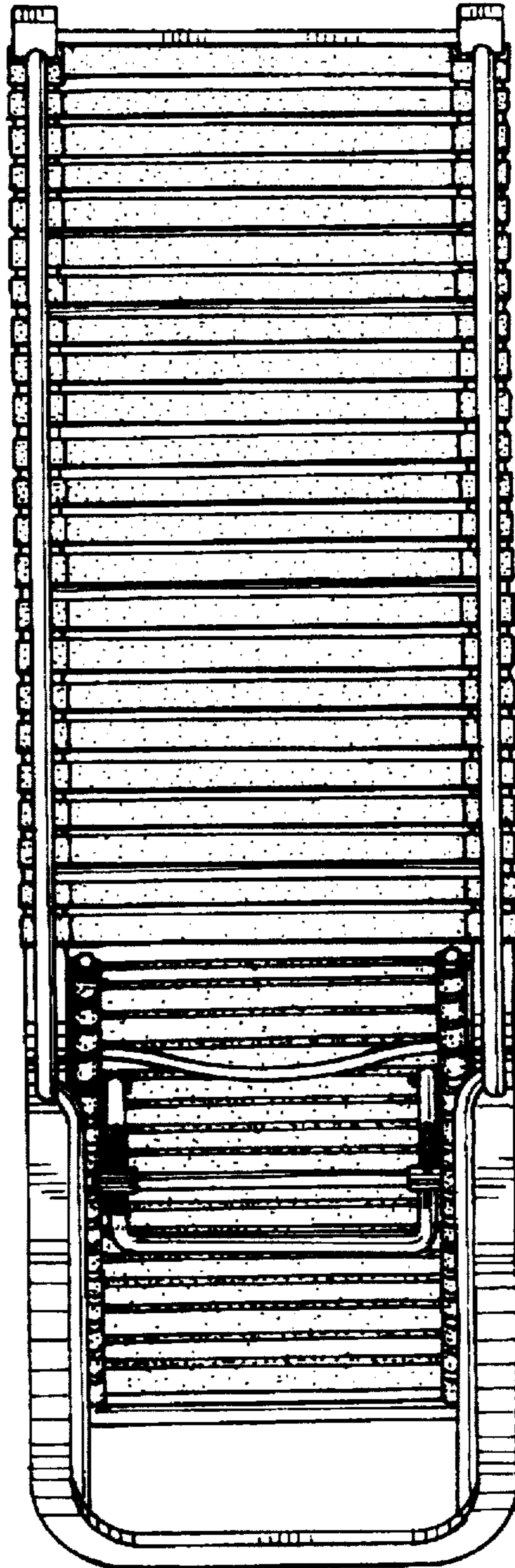


FIG. 7