

US00D390365S

# United States Patent [19]

[11] Patent Number: **Des. 390,365**

Mayer et al.

[45] Date of Patent: **\*\*Feb. 10, 1998**

## [54] COAT HANGER

## OTHER PUBLICATIONS

[75] Inventors: **Gerhard J. Mayer**, St. Kilda; **Allan J. Hooworth**, Hawthorn, both of Australia

Design Application Ser. No. 29/042,996, filed Aug. 14, 1995.

[73] Assignee: **Protective Image Pty., Ltd.**, South Melbourne, Australia

*Primary Examiner*—B. J. Bullock  
*Attorney, Agent, or Firm*—Arnold, White & Durkee

[\*\*] Term: **14 Years**

## [57] CLAIM

[21] Appl. No.: **38,449**

The ornamental design for a coat hanger, as shown and described.

[22] Filed: **May 5, 1995**

## [30] Foreign Application Priority Data

## DESCRIPTION

Nov. 4, 1994 [AU] Australia ..... 3671/94

[51] LOC (6) Cl. .... **06-08**

[52] U.S. Cl. .... **D6/319; D6/326**

[58] Field of Search ..... D6/319, 326; 211/113; 223/85, 88, 92, 95, 87

FIG. 1 is a front view of the coat hanger showing the new and ornamental design;

FIG. 2 is a rear view of the coat hanger of FIG. 1;

FIG. 3 is a left side view of the coat hanger of FIG. 1, the right side being a mirror image except for the hook area;

FIG. 4 is a reduced front perspective view of the coat hanger of FIG. 1;

FIG. 5 is a reduced rear perspective view of the coat hanger of FIG. 1; and,

FIG. 6 is a reduced rear perspective view of the coat hanger of FIG. 1 which shows a moveable portion of the coat hanger in an alternate position.

## [56] References Cited

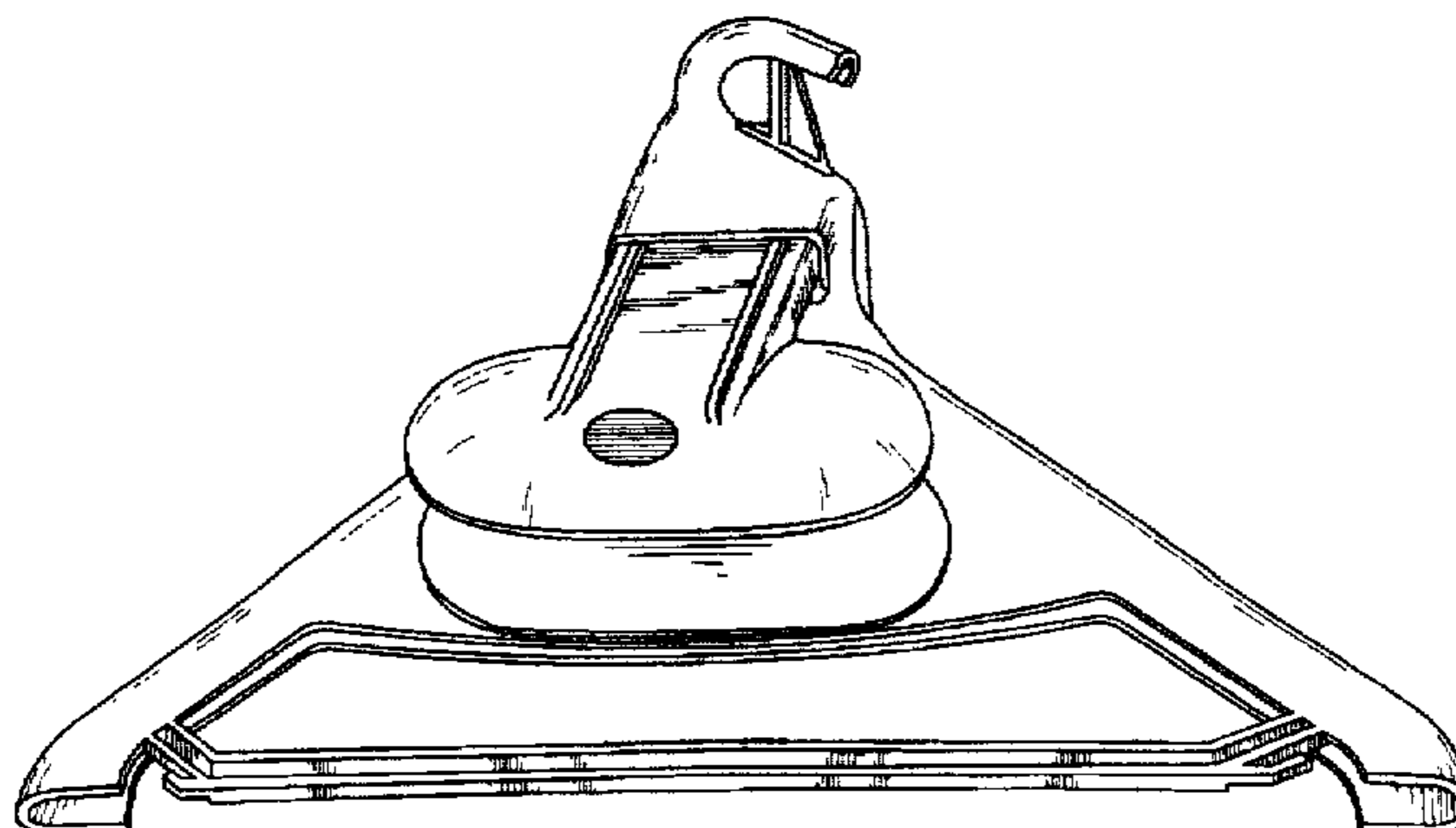
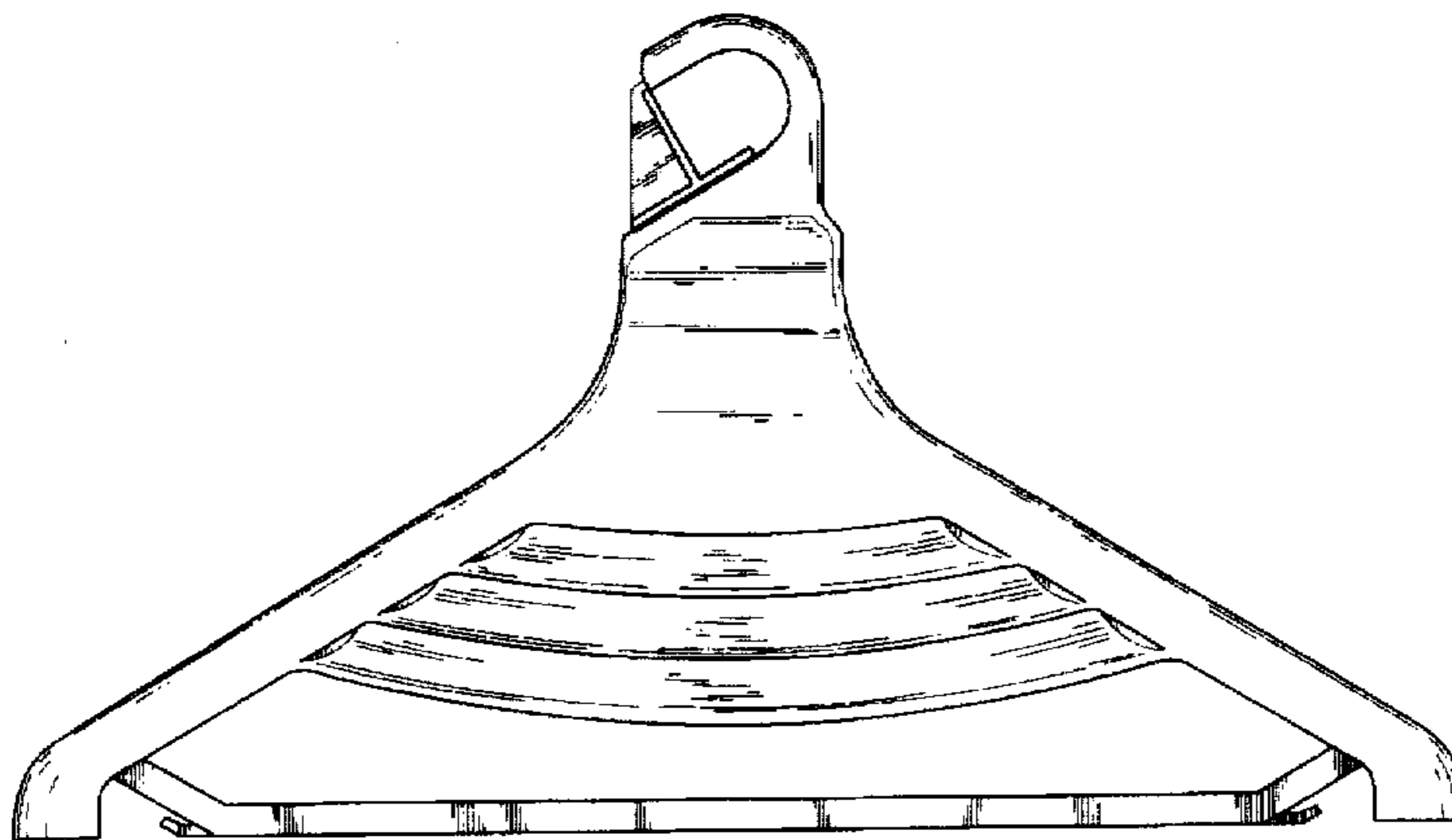
### U.S. PATENT DOCUMENTS

D. 134,980	2/1943	Benner	.....	D6/319
1,470,925	10/1923	Klein et al.	.....	D6/319
2,328,142	8/1943	Hanauer	.....	223/87
2,441,407	5/1948	Glavies	.....	D6/319

### FOREIGN PATENT DOCUMENTS

163192	5/1958	Sweden	.....	223/85
180012	7/1962	Sweden	.....	223/85

**1 Claim, 6 Drawing Sheets**



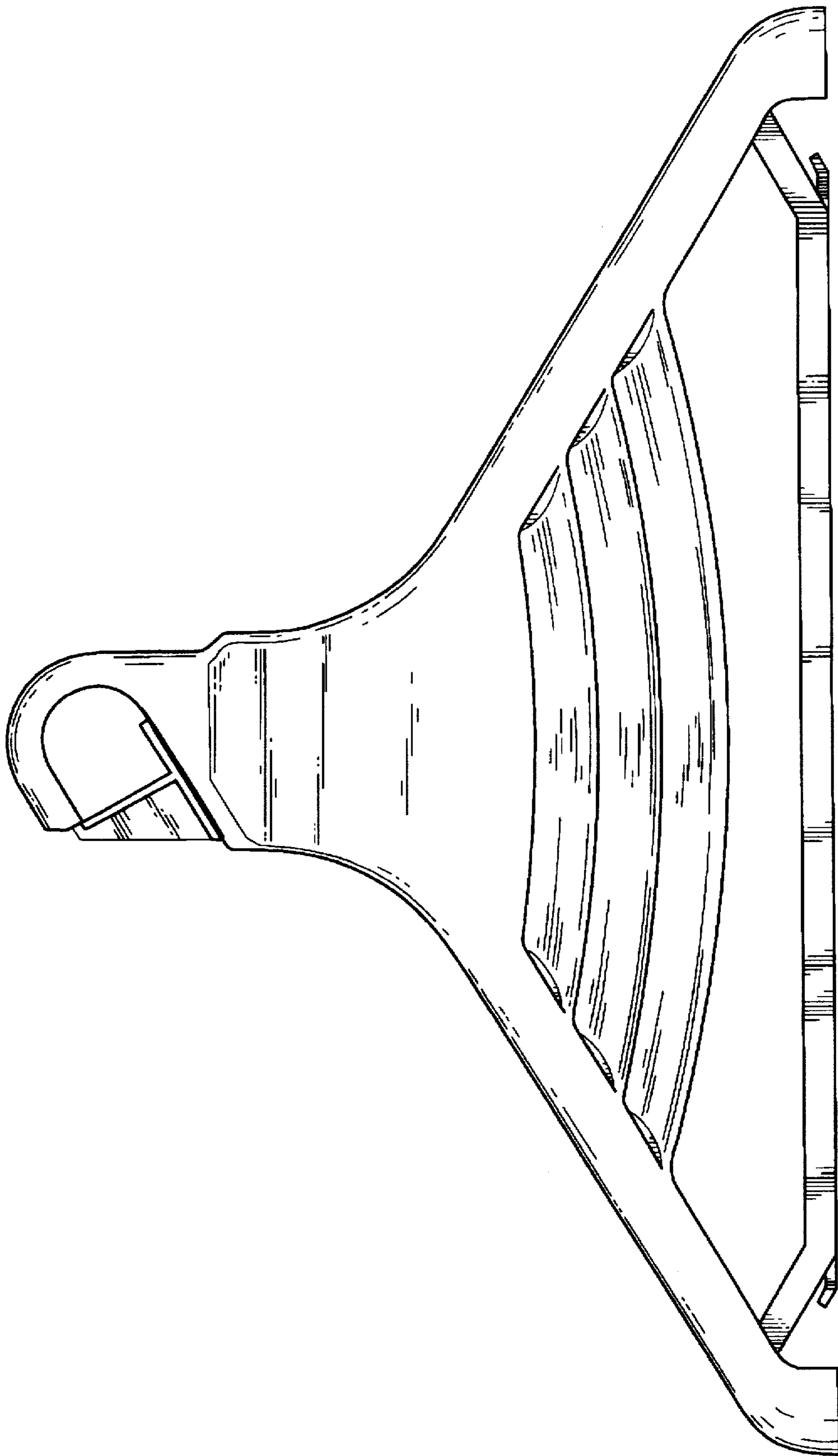


FIG. 1

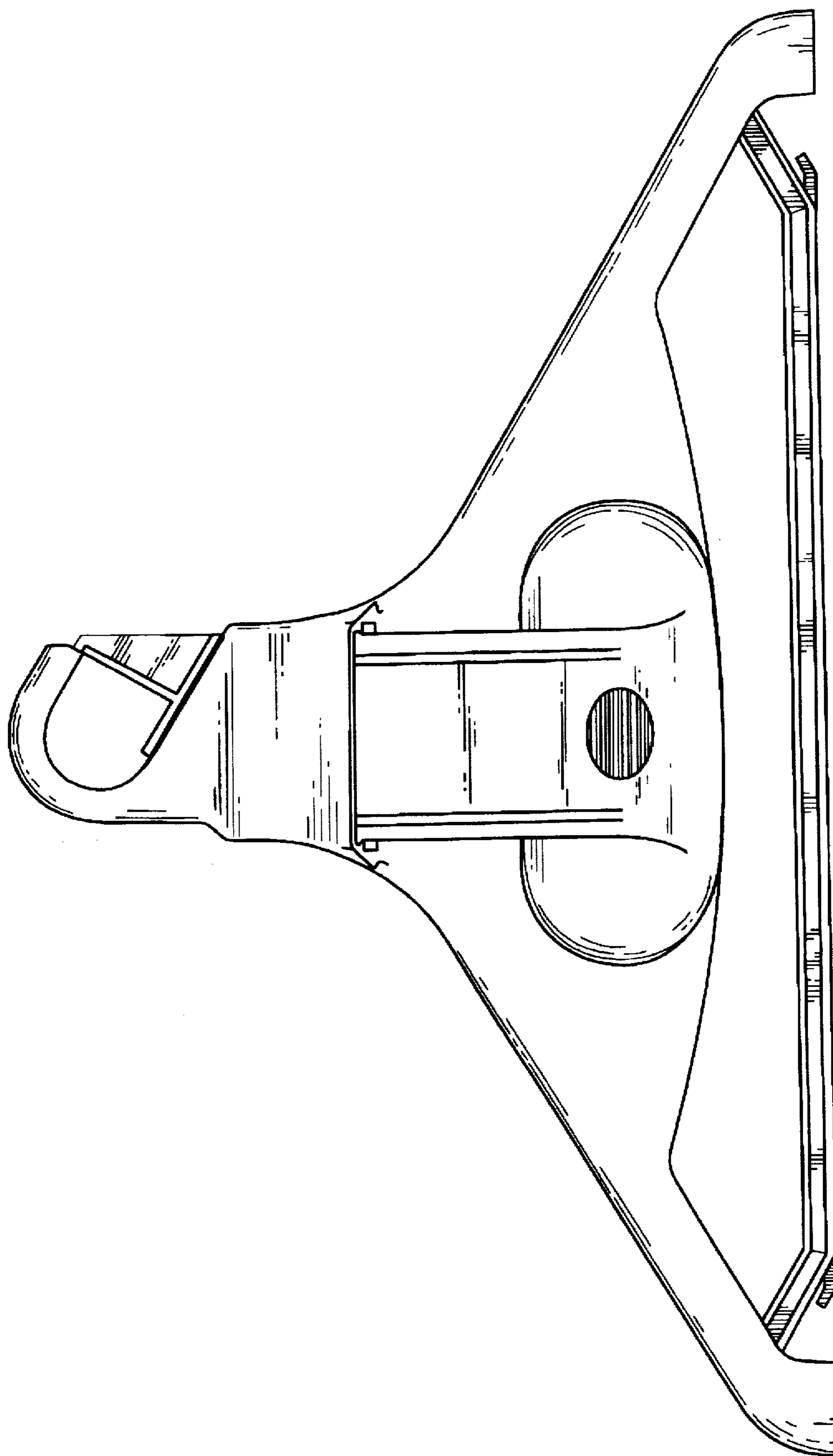


FIG. 2

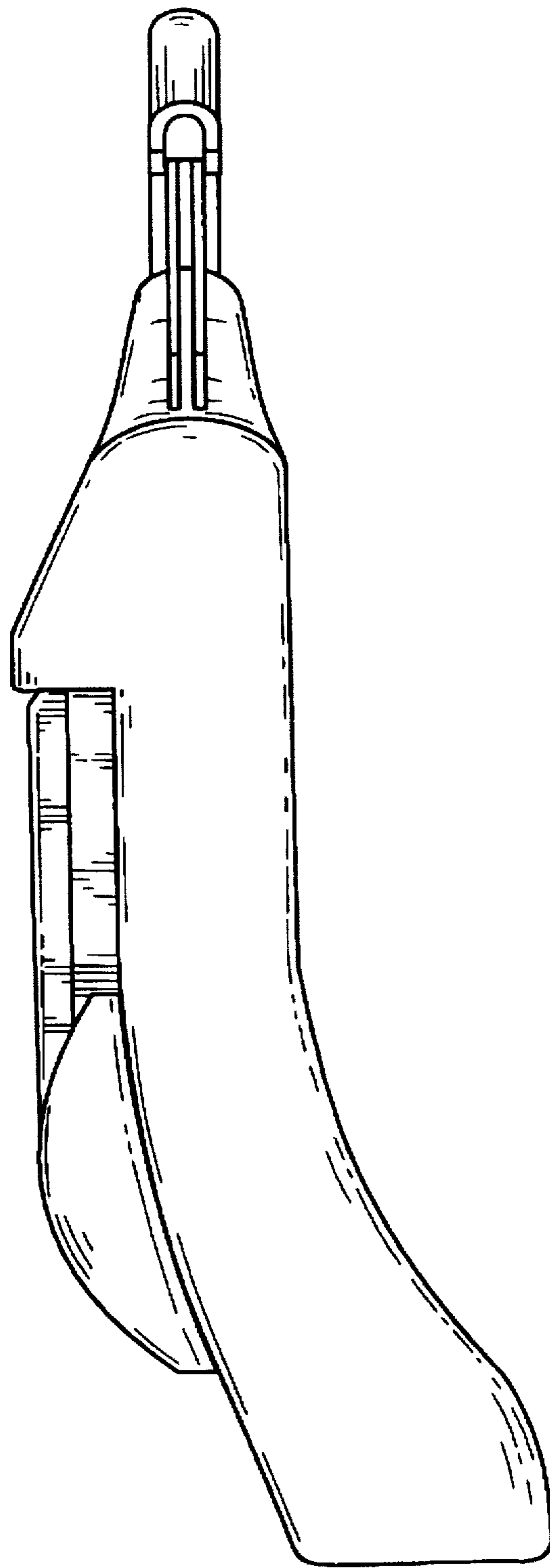


FIG. 3

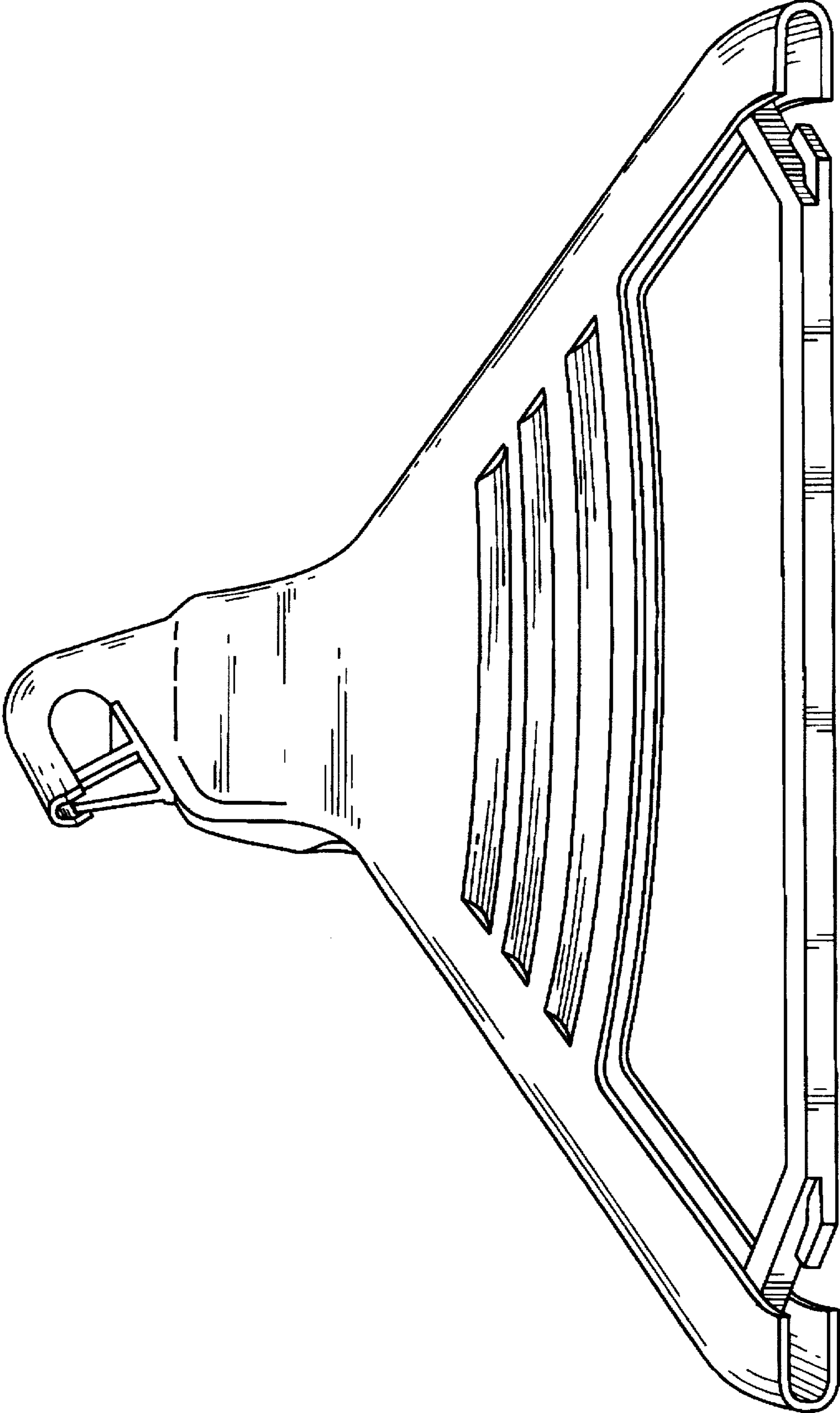


FIG. 4

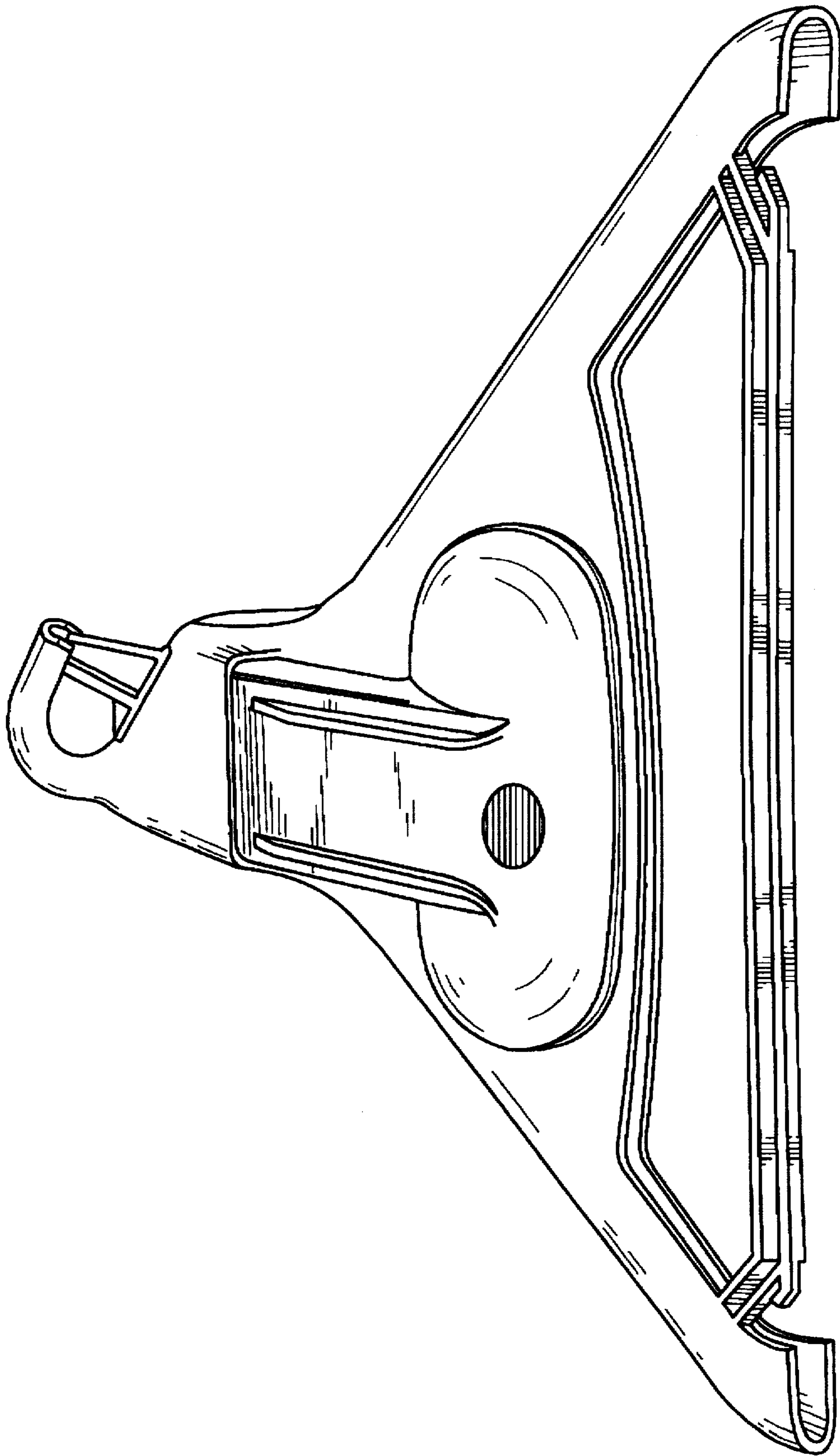


FIG. 5

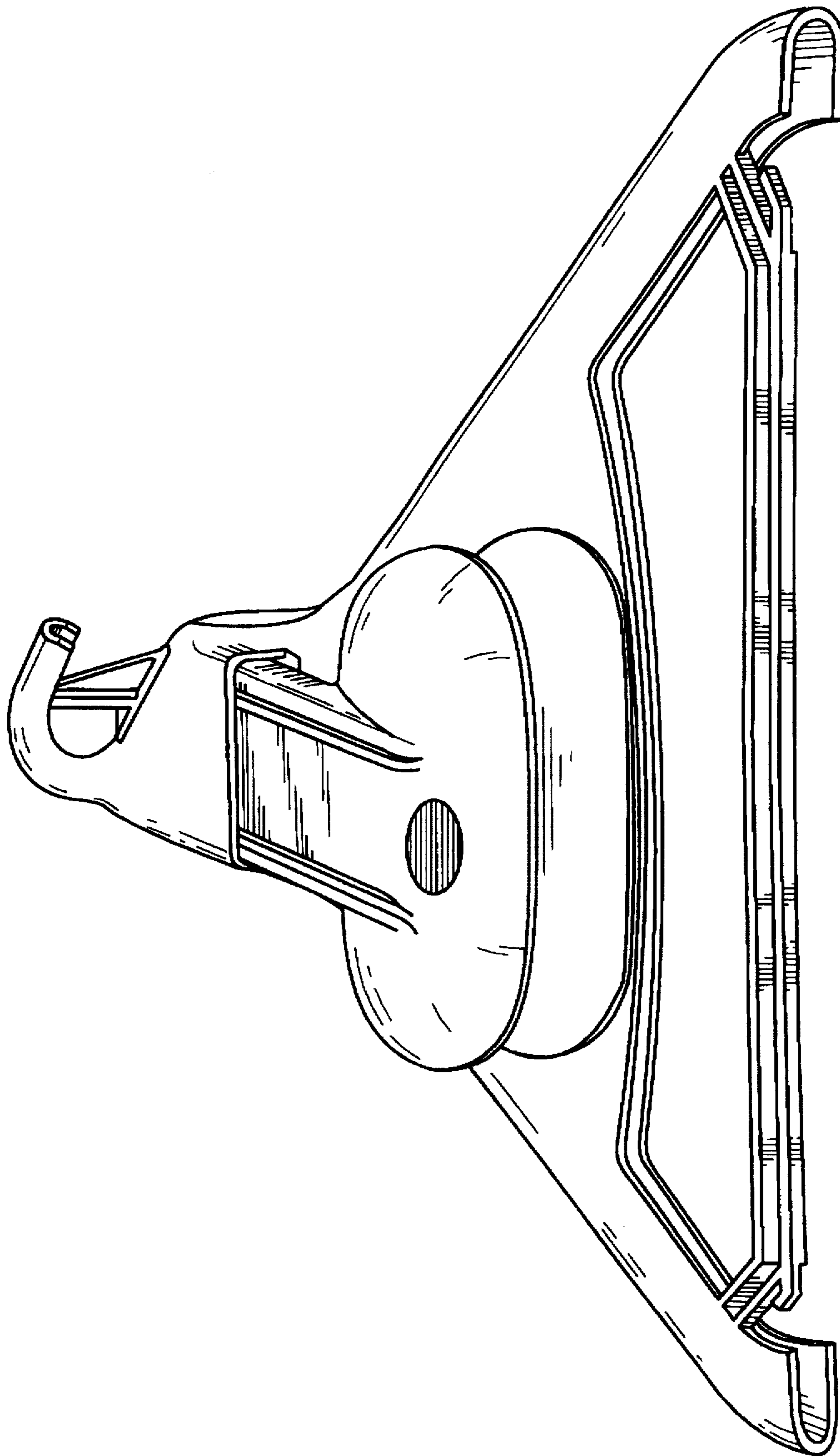


FIG. 6