



US00D390364S

United States Patent [19] Johnsey

[11] Patent Number: **Des. 390,364**
[45] Date of Patent: ****Feb. 10, 1998**

[54] **SHADOWBOX**

[76] Inventor: **Evelyn Johnsey**, P.O. Box 434, York, S.C. 29745

[**] Term: **14 Years**

[21] Appl. No.: **73,417**

[22] Filed: **Jul. 8, 1997**

[51] LOC (6) Cl. **06-07**

[52] U.S. Cl. **D6/303**

[58] Field of Search D6/300-303, 308-314;
D20/10, 40, 29; 40/700, 711, 714-716,
721-724, 748, 749, 765, 780, 790, 798

[56] **References Cited**

U.S. PATENT DOCUMENTS

D. 62,994 9/1923 Kaucher D20/10
D. 186,380 10/1959 Miller D6/303

D. 325,473 4/1992 Geiger D6/303
D. 369,244 4/1996 Baker D6/303
2,126,558 8/1938 Kaul 40/765 X

Primary Examiner—Janice E. Seeger
Attorney, Agent, or Firm—Michael A. Mann

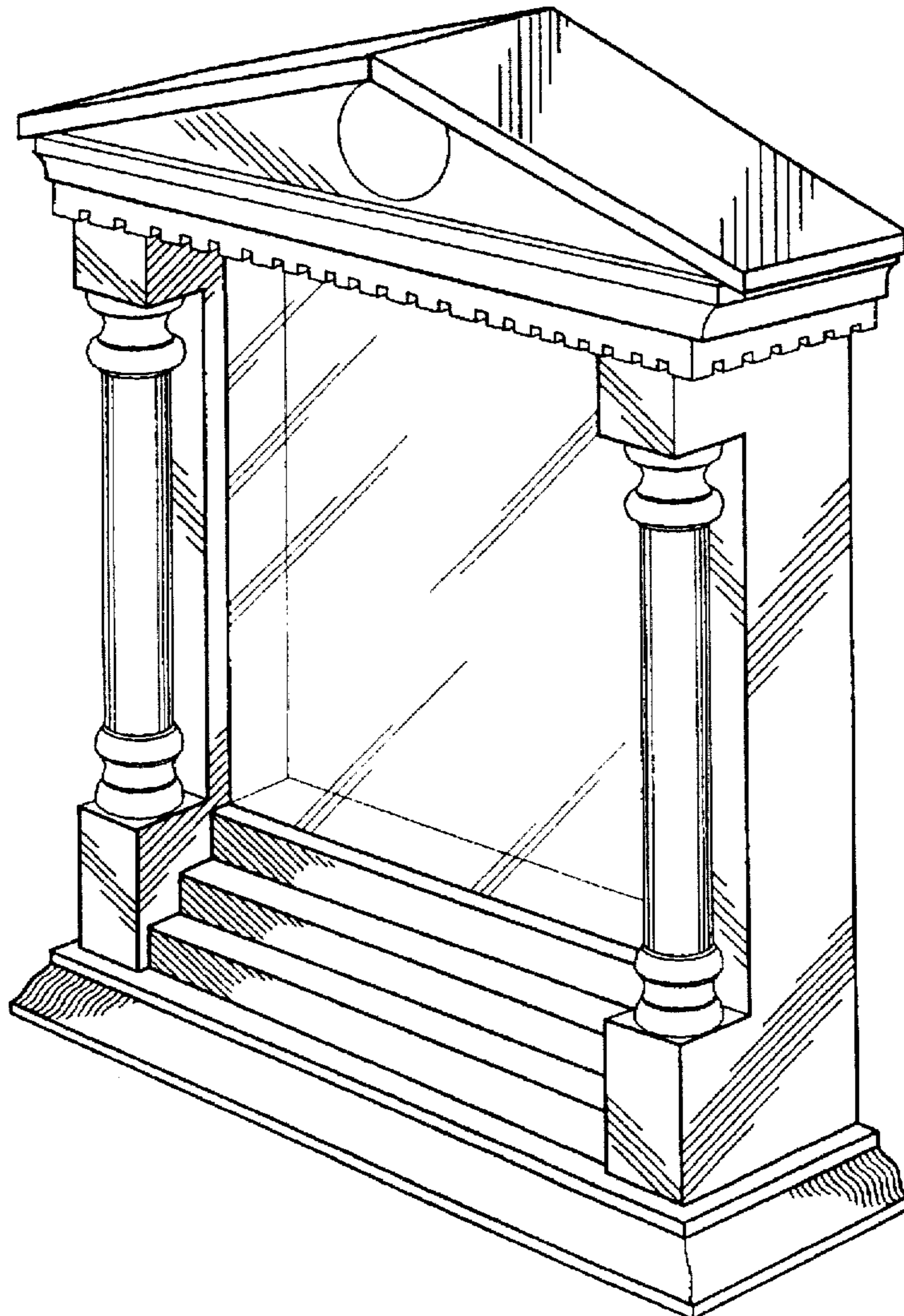
[57] CLAIM

The ornamental design for a shadowbox, as shown and described.

DESCRIPTION

FIG. 1 is a perspective view of my design;
FIG. 2 is a front elevational view thereof;
FIG. 3 is left side view thereof, the left and right sides being symmetric;
FIG. 4 is a back elevational view thereof; and,
FIG. 5 is a top view thereof, the bottom view being planar and unadorned.

1 Claim, 2 Drawing Sheets



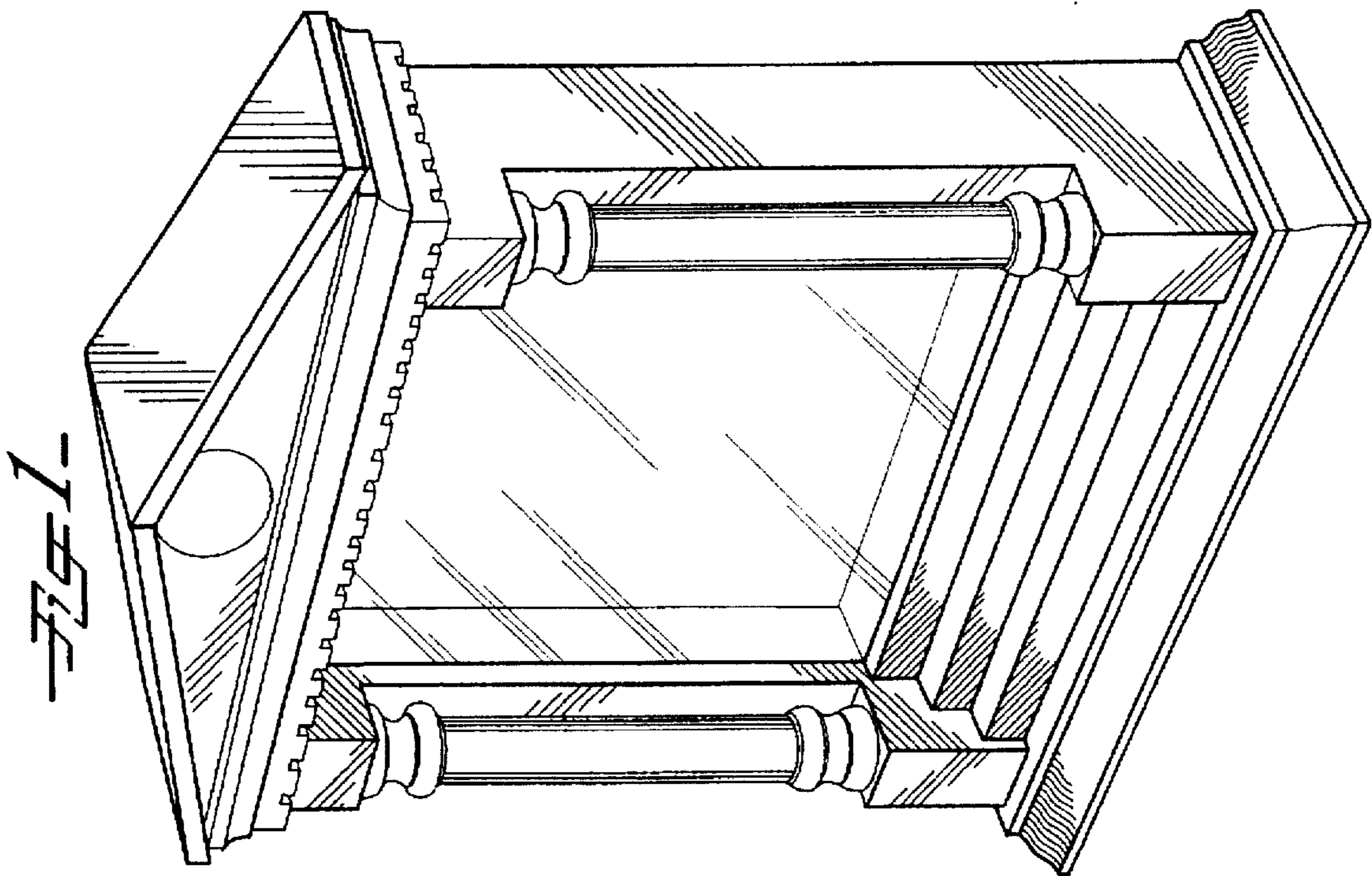
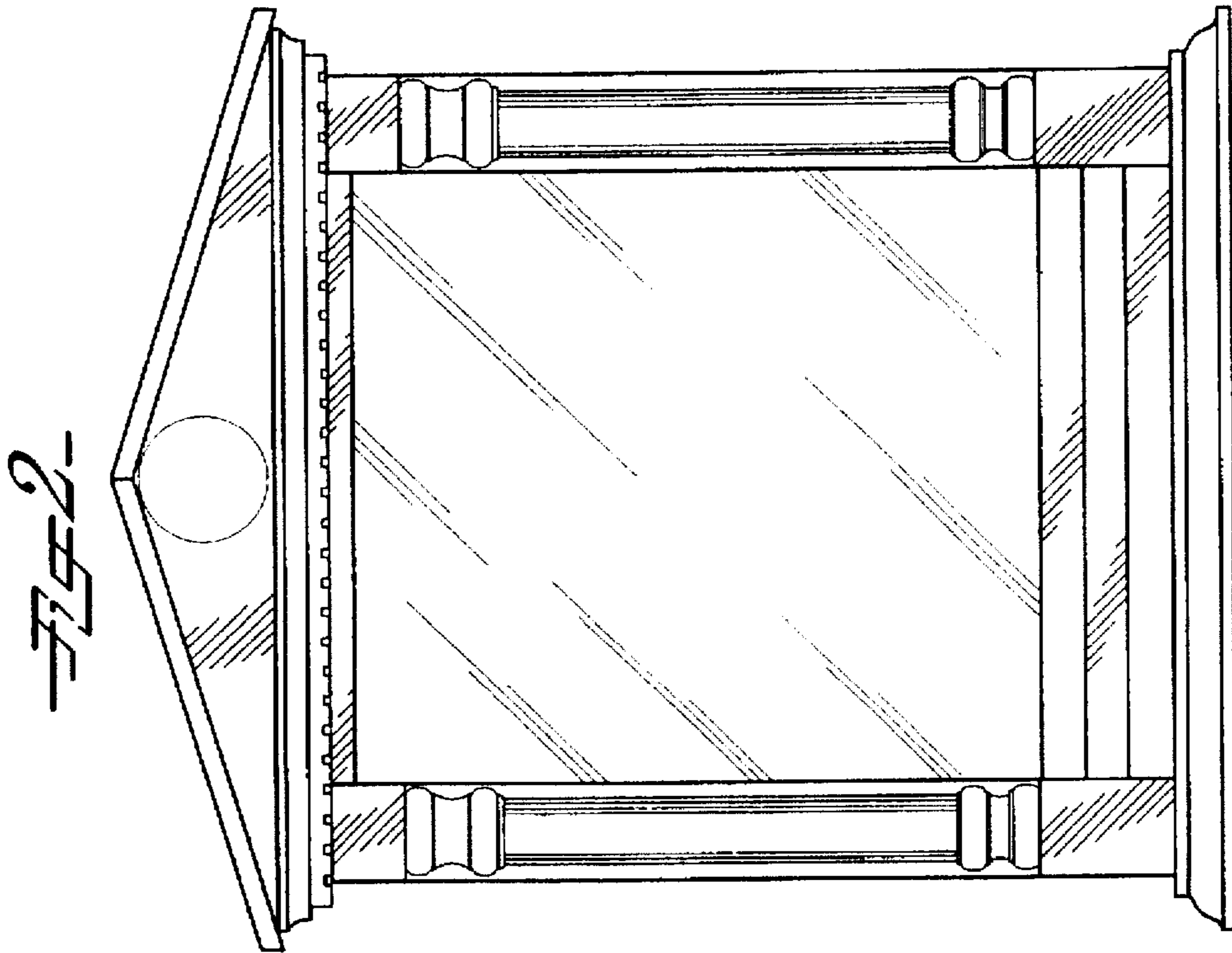


Fig 3

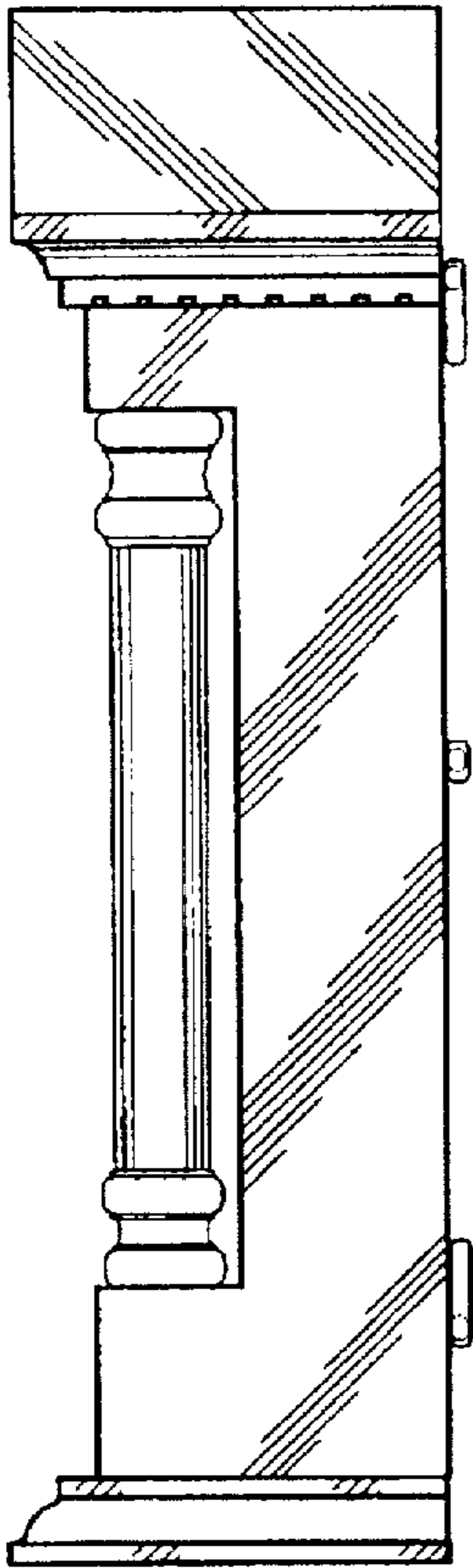


Fig 4

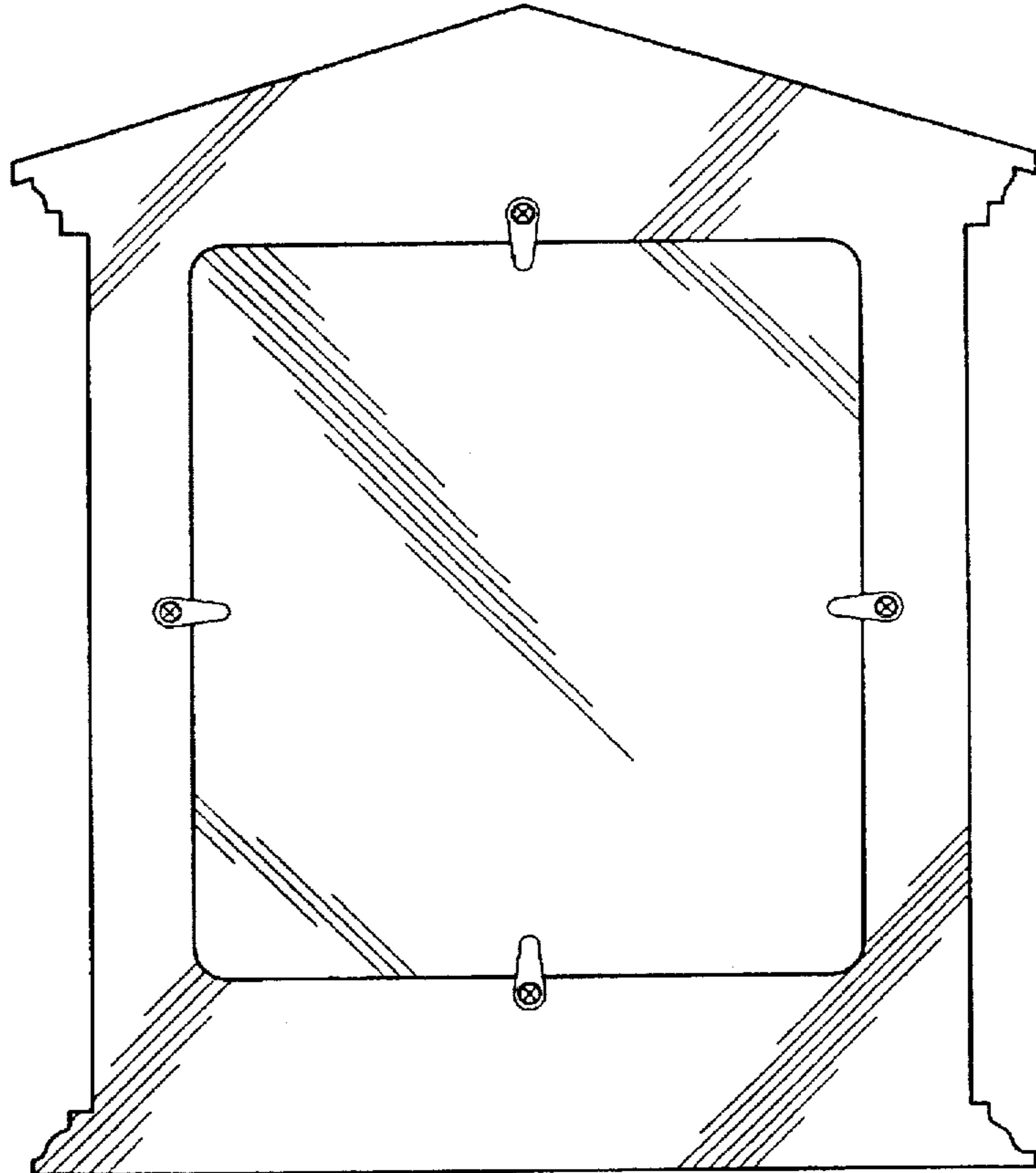


Fig 5

