



US00D390361S

**United States Patent** [19]  
**Wu**

[11] **Patent Number: Des. 390,361**  
[45] **Date of Patent: \*\*Feb. 10, 1998**

[54] **UPPER HOLDER OF GOLF BAG**

5,617,951 4/1997 Wick ..... 206/315.6  
5,620,091 4/1997 Larson ..... 206/315.6

[76] **Inventor: Ching-Chang Wu**, No. 35-1, Jih Hsin Street, Tu Cheng Hsiang, Taipei Hsien, Taiwan

*Primary Examiner*—Doris V. Coles  
*Assistant Examiner*—Catherine R. Oliver  
*Attorney, Agent, or Firm*—Varndell Legal Group

[\*\*] **Term: 14 Years**

[57] **CLAIM**

[21] **Appl. No.: 63,777**

The ornamental design for a upper holder of golf bag, as shown and described.

[22] **Filed: Dec. 16, 1996**

**DESCRIPTION**

[51] **LOC (6) Cl. .... 03-99**

[52] **U.S. Cl. .... D3/320**

[58] **Field of Search** ..... D3/255, 320; 206/315.2, 206/315.3, 315.4, 315.5, 315.6, 315.7; 211/70.2

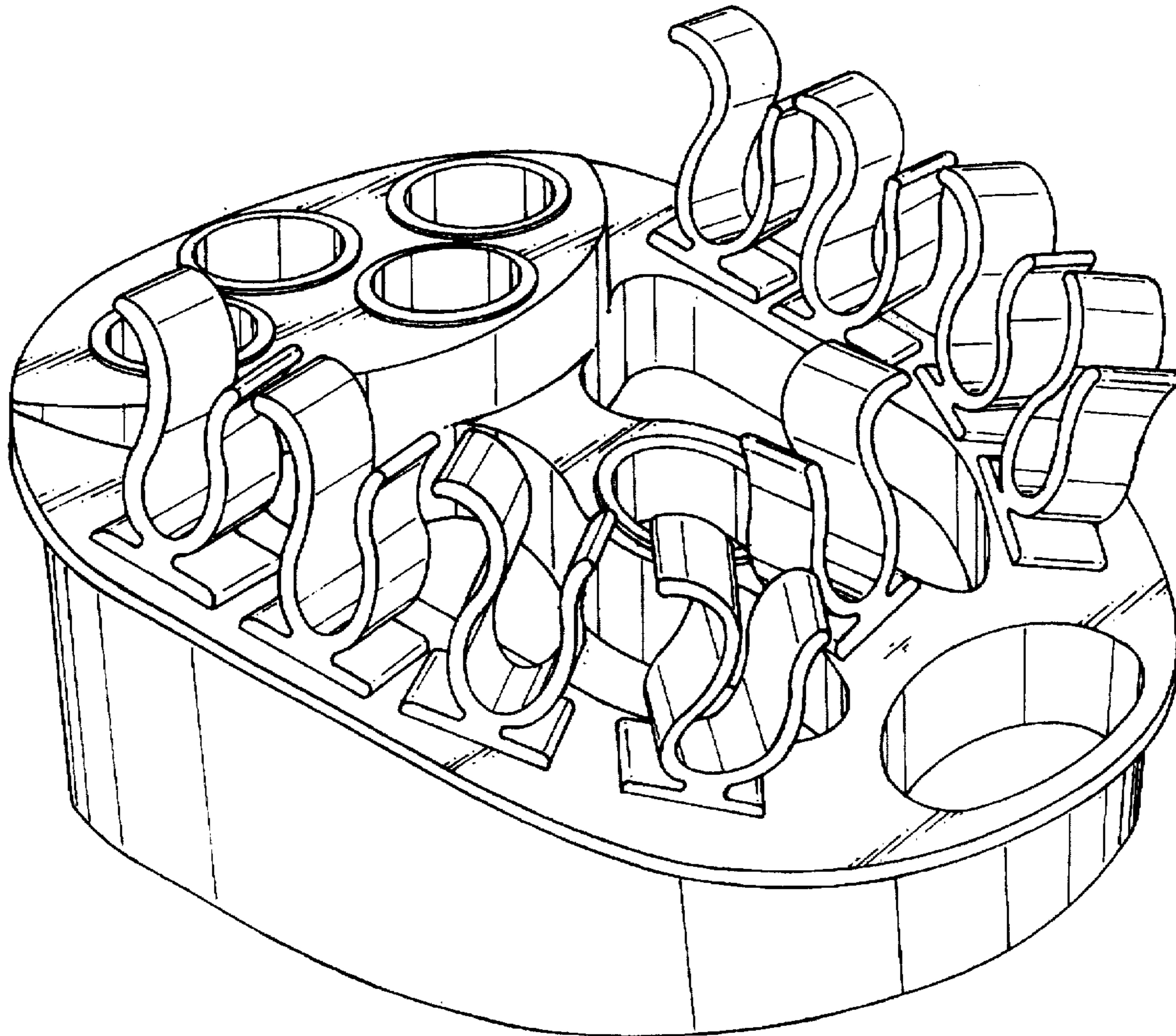
FIG. 1 is a perspective view of an upper holder of golf bag showing my new design;  
FIG. 2 is a front elevational view thereof;  
FIG. 3 is a rear elevational view thereof;  
FIG. 4 is a top plan view thereof;  
FIG. 5 is a bottom plan view thereof;  
FIG. 6 is a left side elevational view thereof; and,  
FIG. 7 is a right side elevational view thereof.

[56] **References Cited**

**U.S. PATENT DOCUMENTS**

5,135,107 8/1992 Ingraham ..... 206/315.6  
5,228,566 7/1993 Shenoha ..... 206/315.6  
5,383,555 1/1995 Weinmeier ..... 206/315.3 X

**1 Claim, 7 Drawing Sheets**



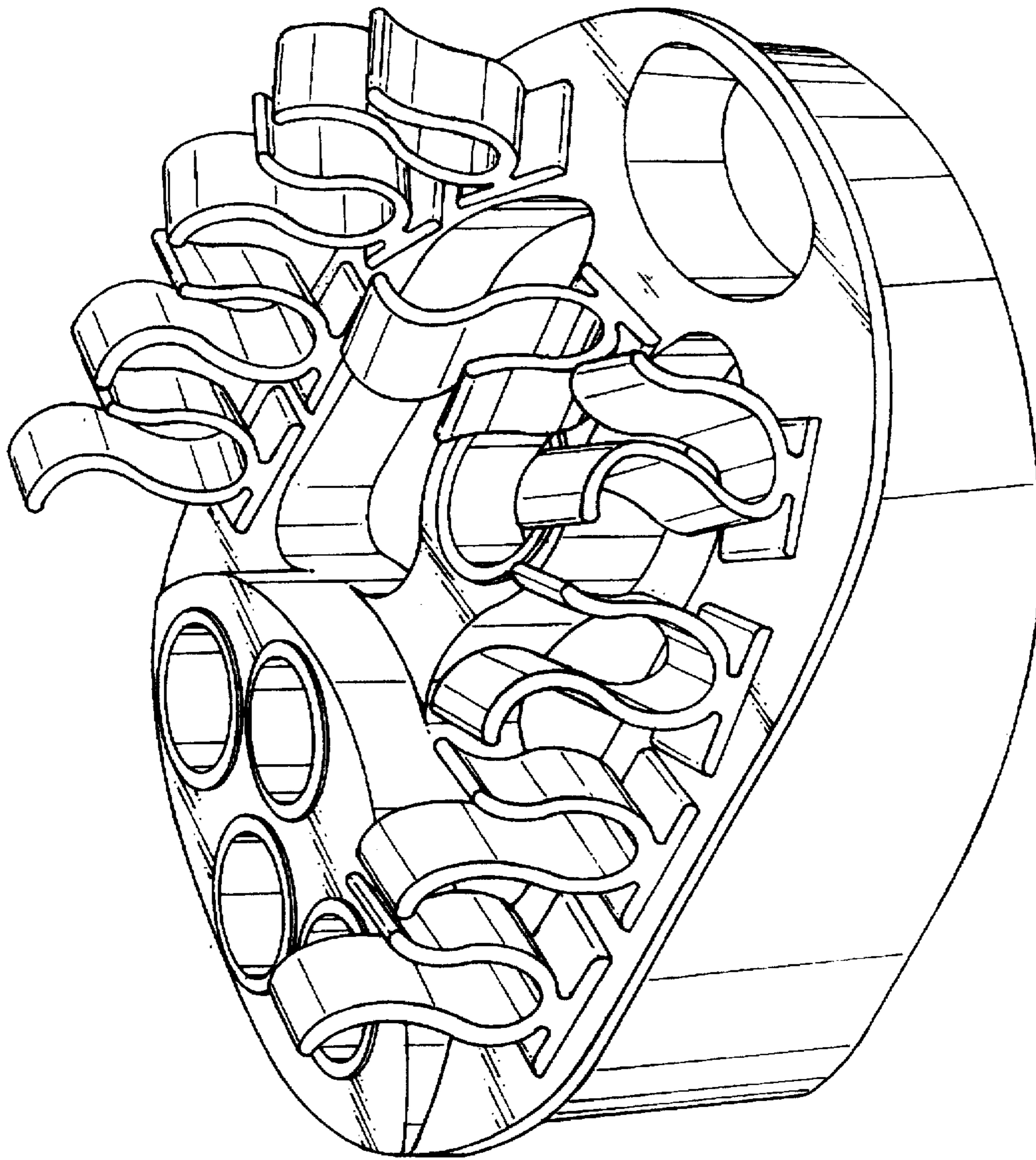


Fig. 1

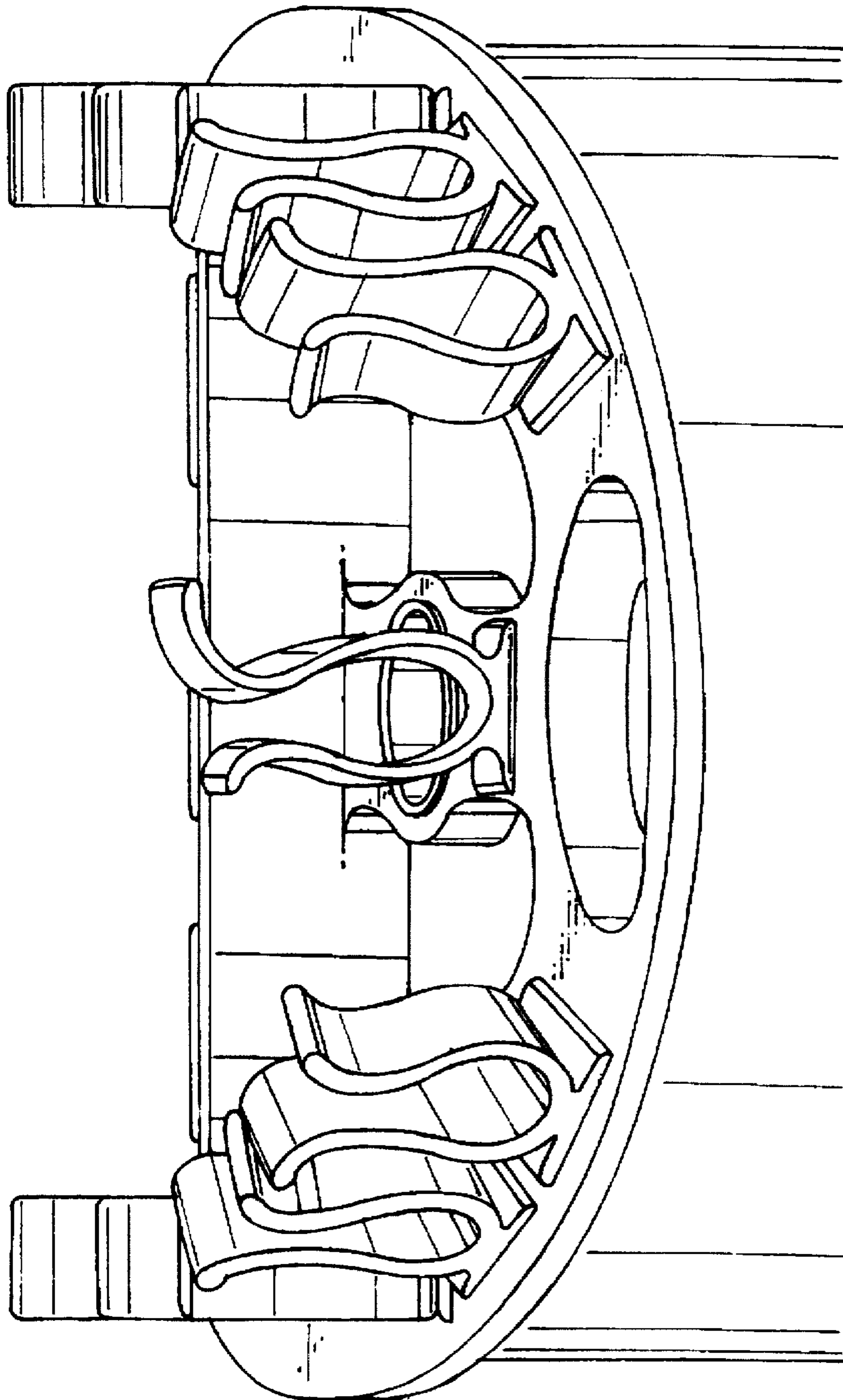


Fig. 2

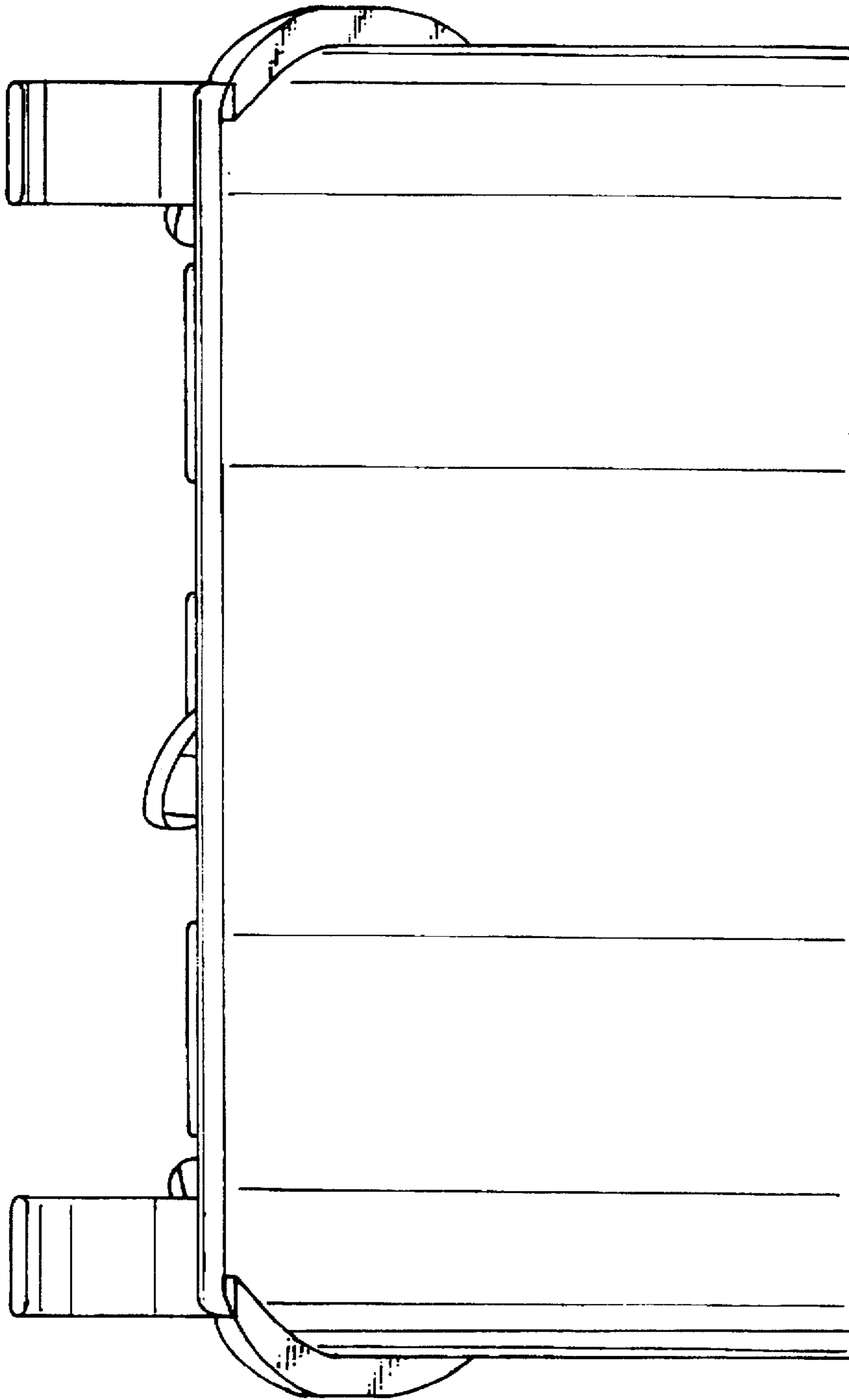


Fig. 3

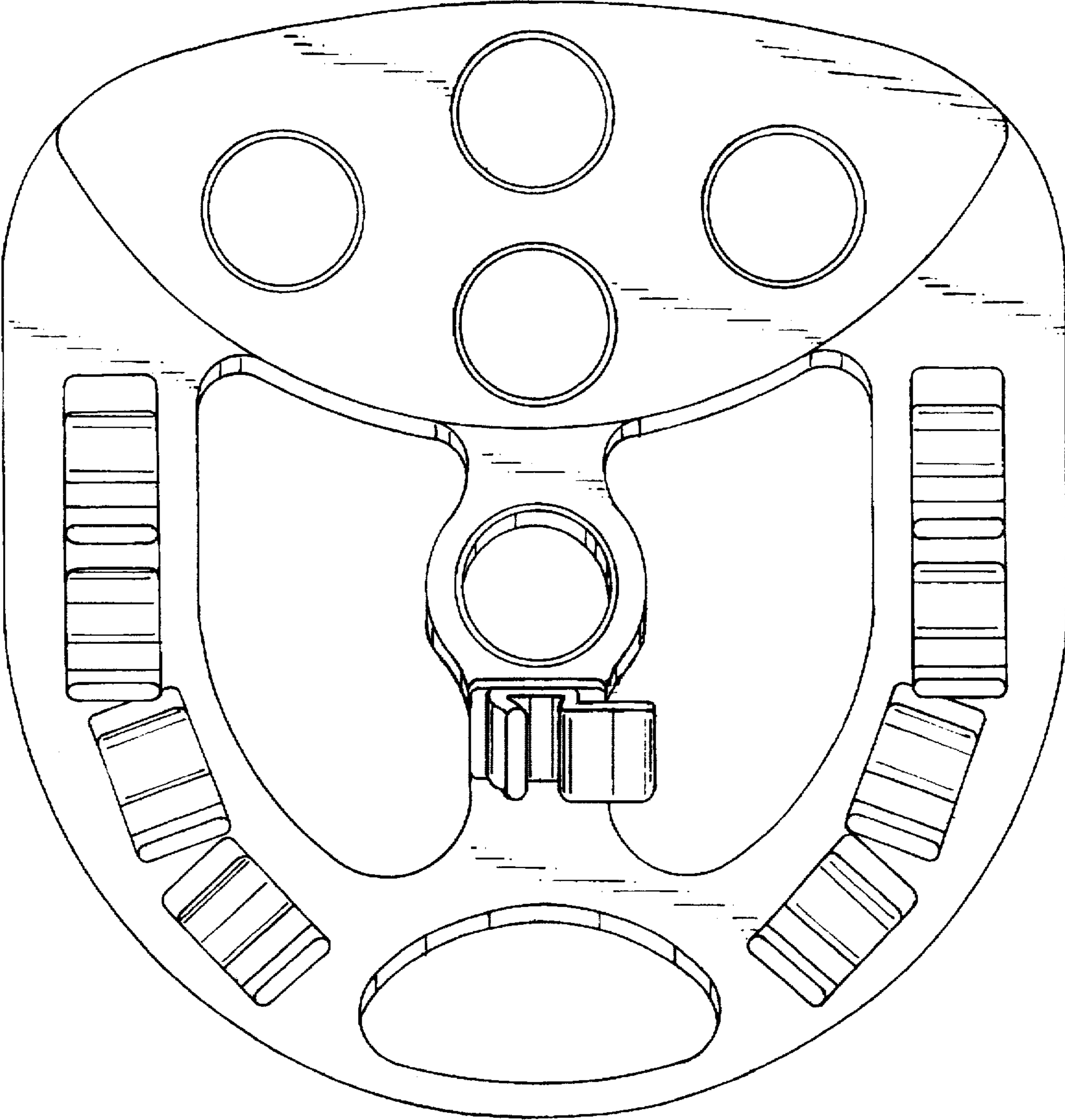


Fig. 4

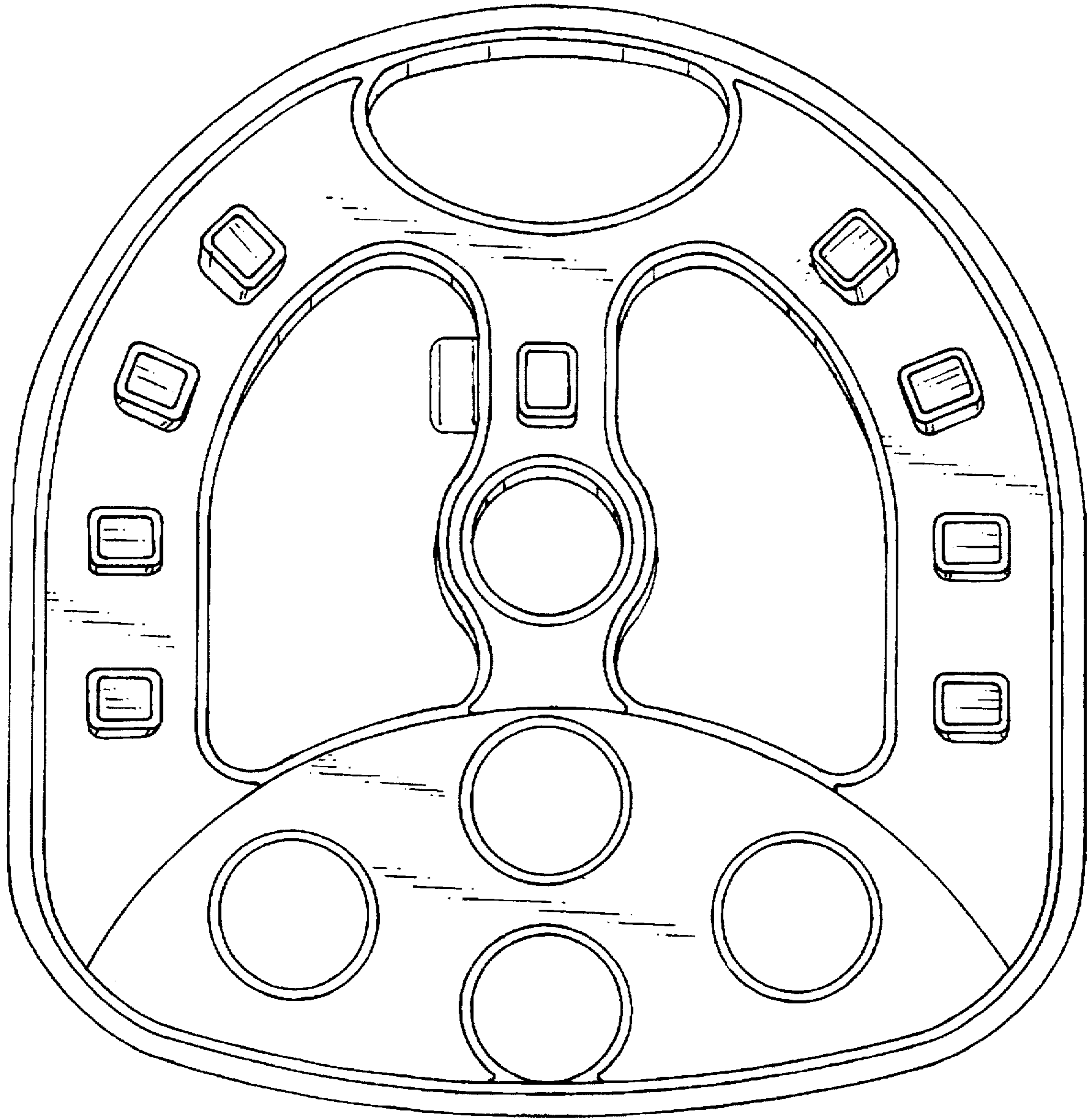


Fig. 5

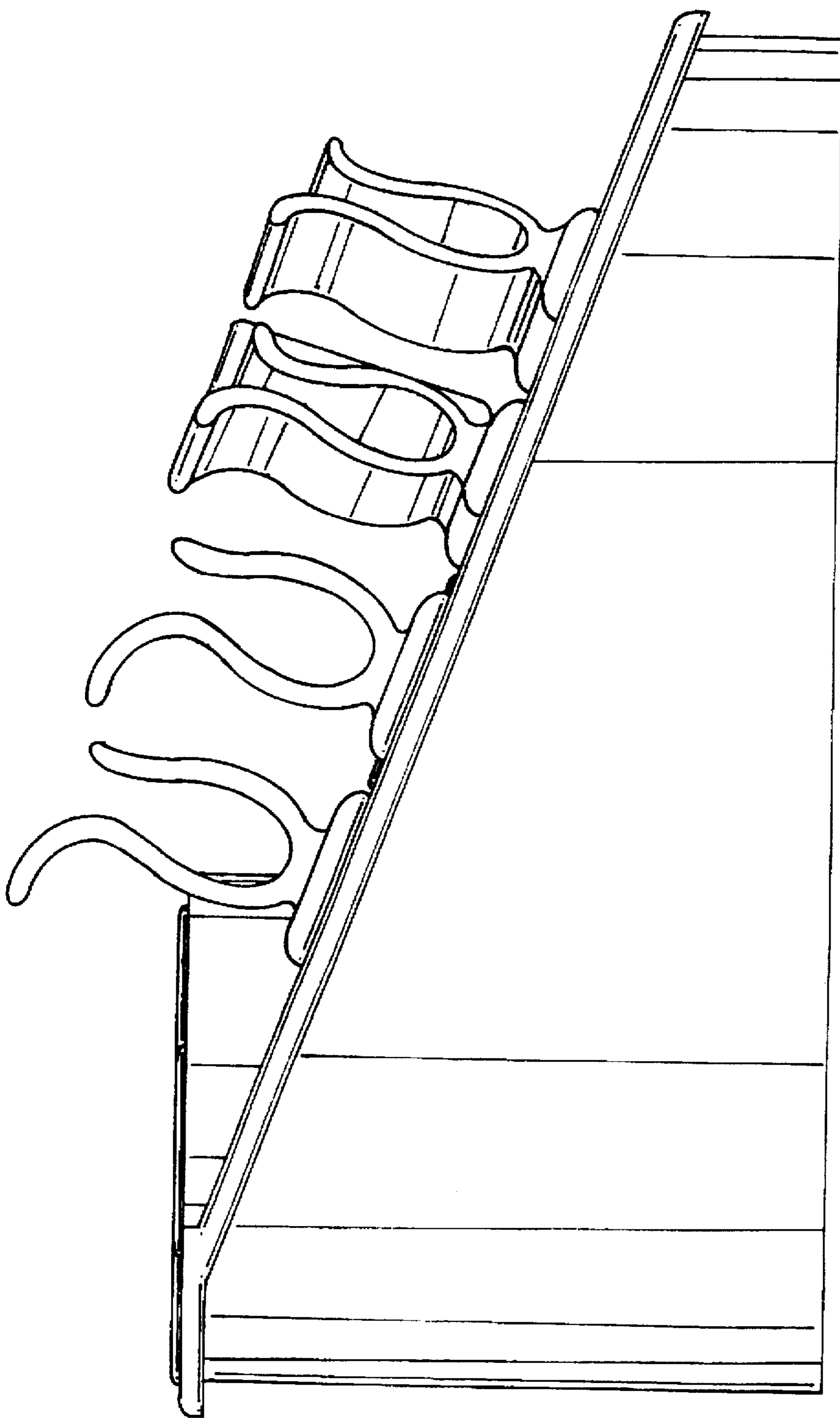


Fig. 6

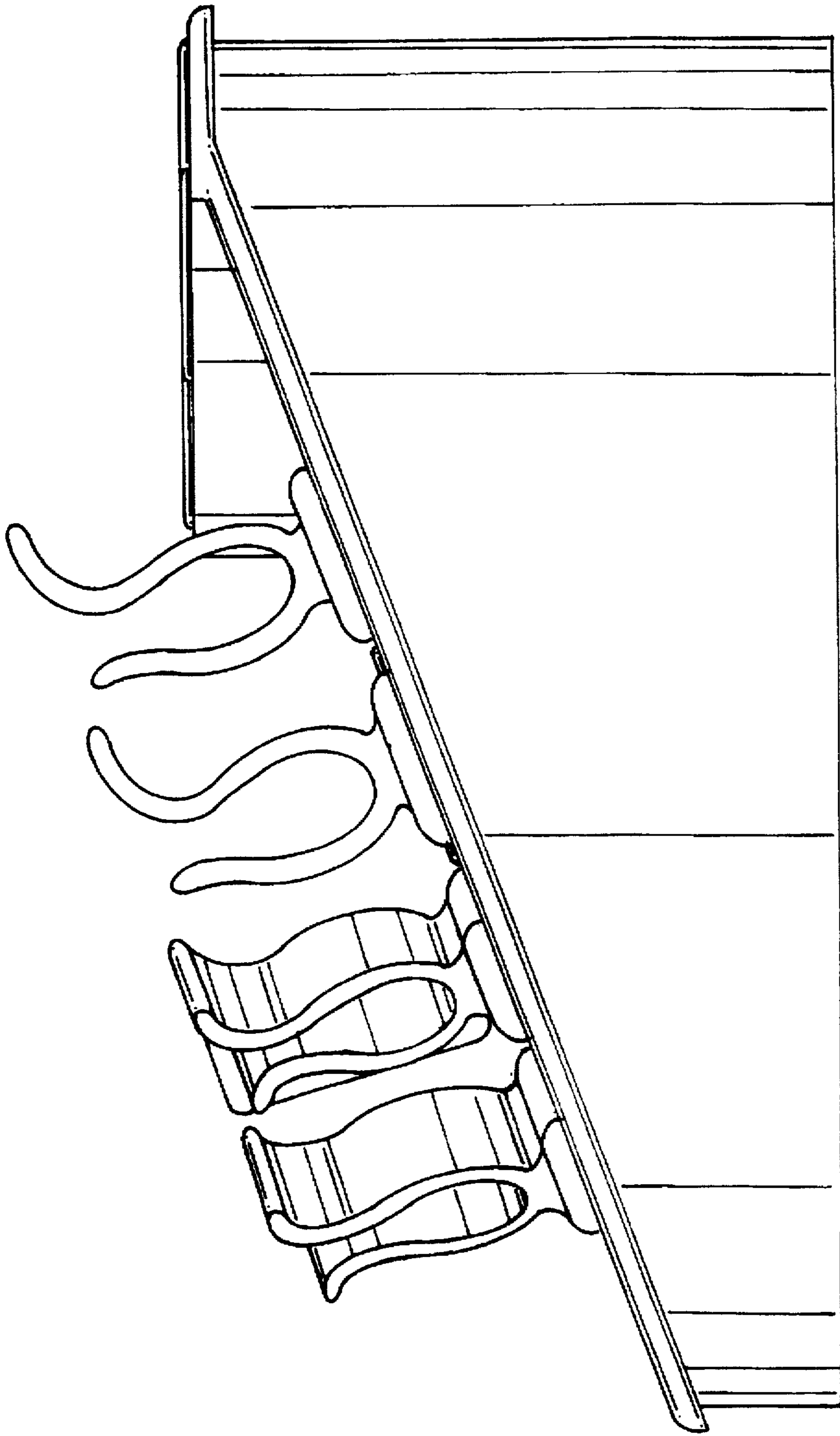


Fig. 7