



US00D390359S

United States Patent [19]

Lacy

[11] Patent Number: **Des. 390,359**

[45] Date of Patent: ****Feb. 10, 1998**

[54] **WOODEN BASKET**

[75] Inventor: **Sun Lacy**, Dresden, Ohio

[73] Assignee: **The Longaberger Company**, Dresden, Ohio

[**] Term: **14 Years**

[21] Appl. No.: **47,844**

[22] Filed: **Dec. 13, 1995**

[51] LOC (6) Cl. **03-01**

[52] U.S. Cl. **D3/306**

[58] Field of Search D3/304, 306; 217/122-125; 220/676

[56] **References Cited**

U.S. PATENT DOCUMENTS

450,112	4/1891	Snow	217/122
2,374,153	4/1945	Holtvoigt	217/122
2,808,171	10/1957	Wilson	217/124

OTHER PUBLICATIONS

Longaberger Catalog, ©1994, p. 21 Basket #13901.
Longaberger Catalog, ©1994, p. 31, Basket #11096.
Longaberger Catalog, ©1994, p. 23, Basket #11151.

Primary Examiner—Terry A. Wallace
Attorney, Agent, or Firm—Porter, Wright, Morris & Arthur

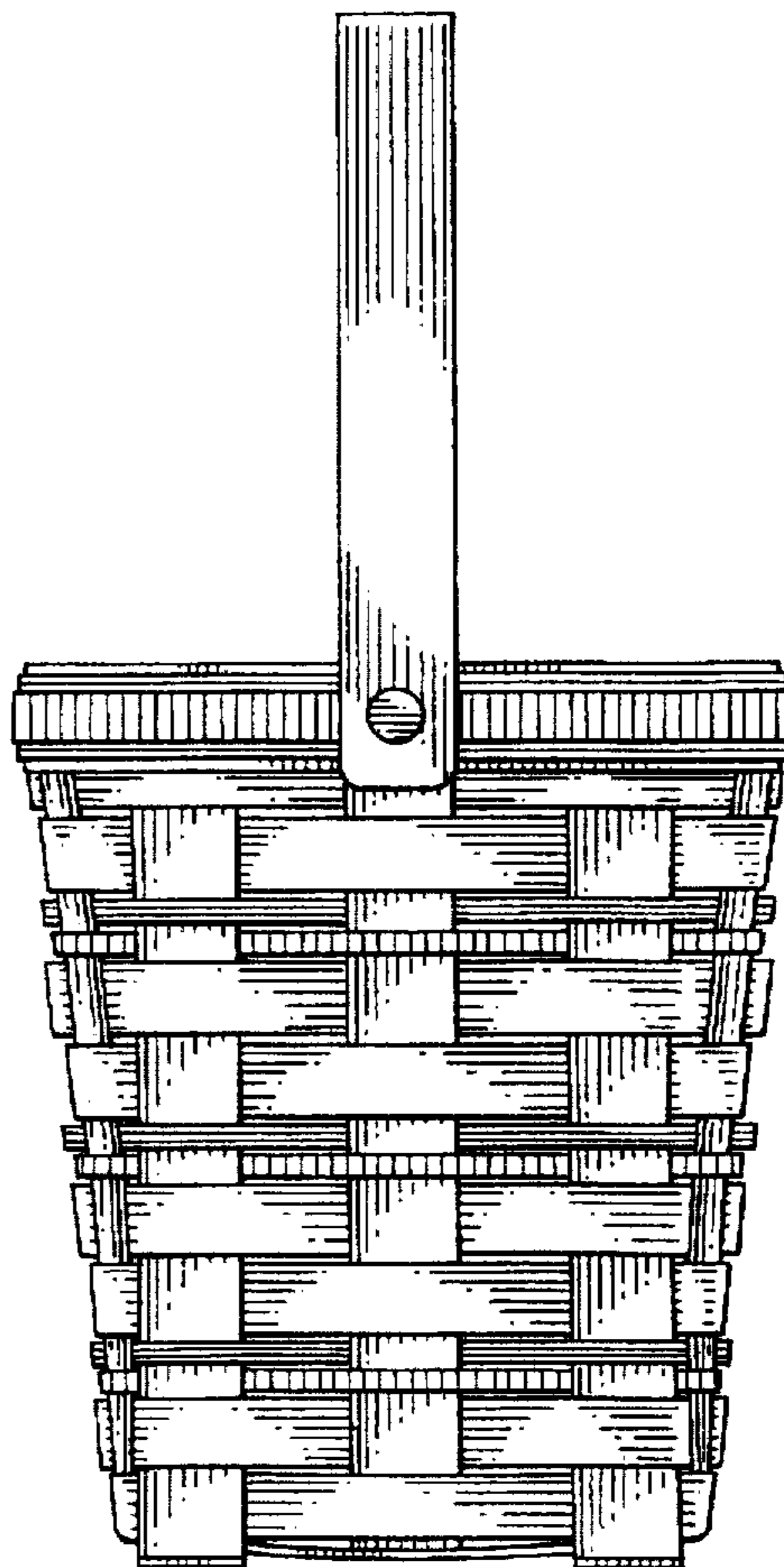
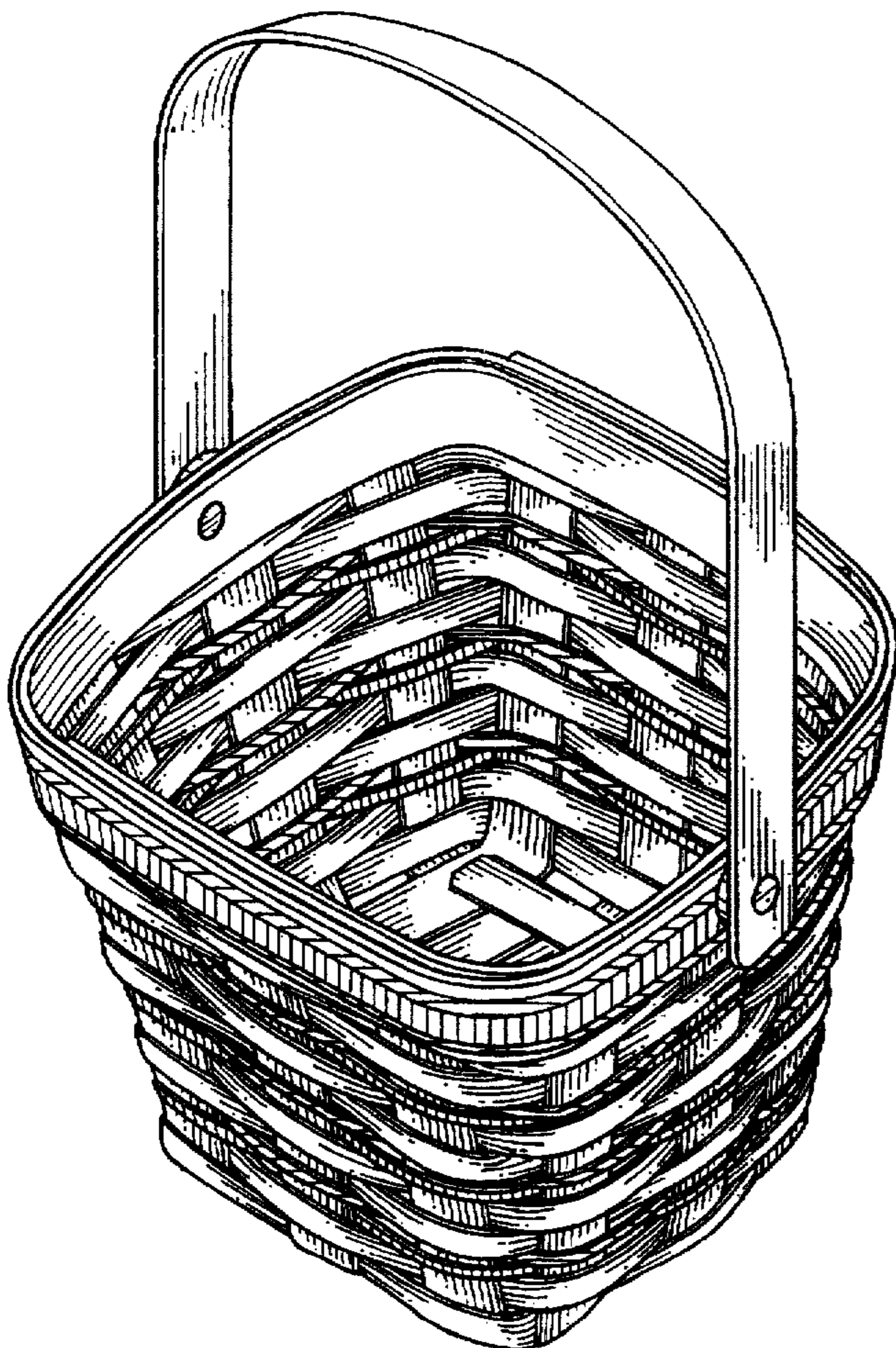
[57] **CLAIM**

The ornamental design for a wooden basket, as shown and described.

DESCRIPTION

FIG. 1 is a perspective view of the wooden basket showing my new design;
FIG. 2 is a bottom plan view thereof;
FIG. 3 is a top plan view thereof;
FIG. 4 is a front elevation view thereof;
FIG. 5 is a rear elevation view thereof;
FIG. 6 is a right side elevation view thereof; and,
FIG. 7 is a left side elevation view thereof.

1 Claim, 7 Drawing Sheets



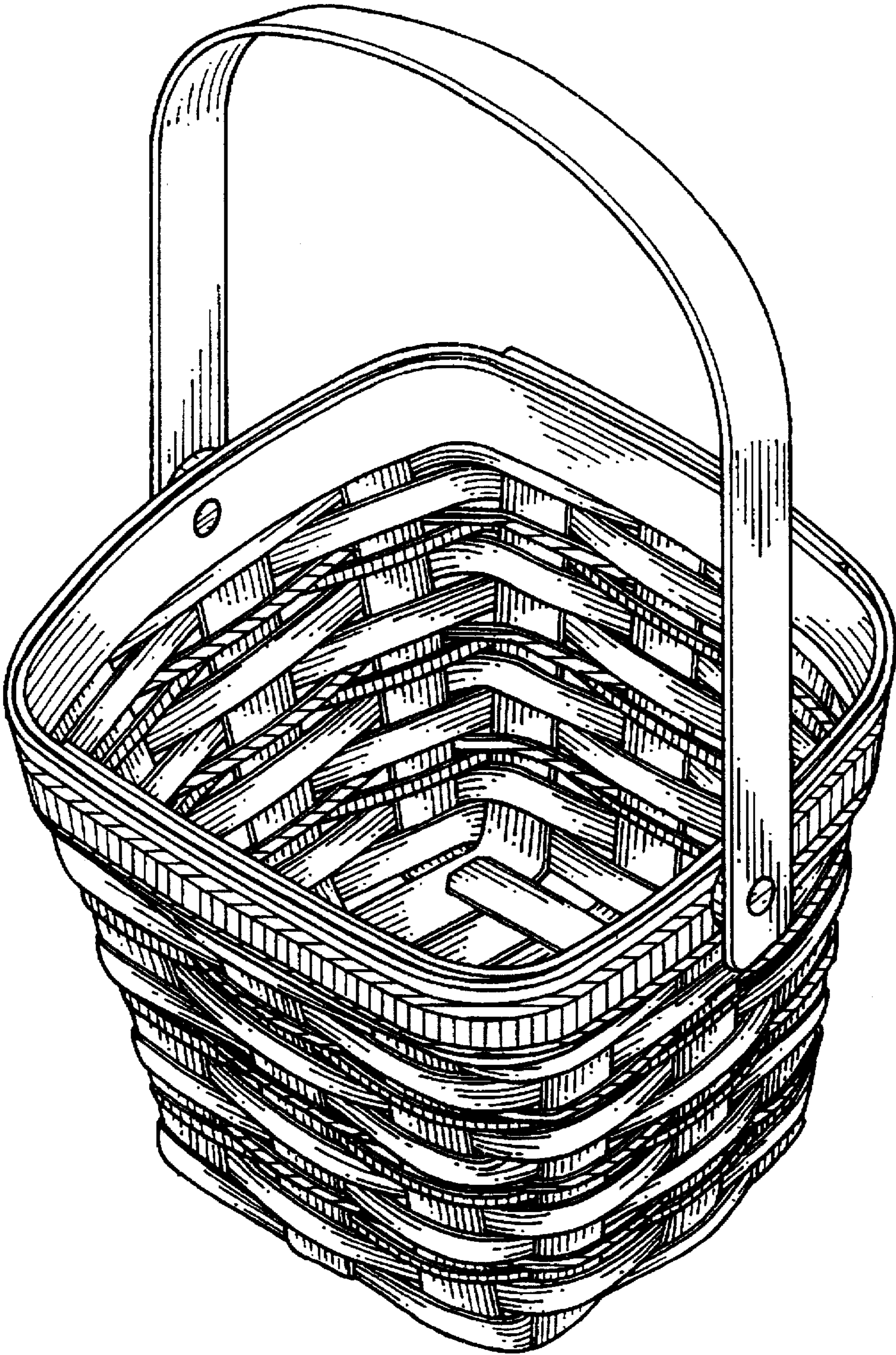


FIG. 1

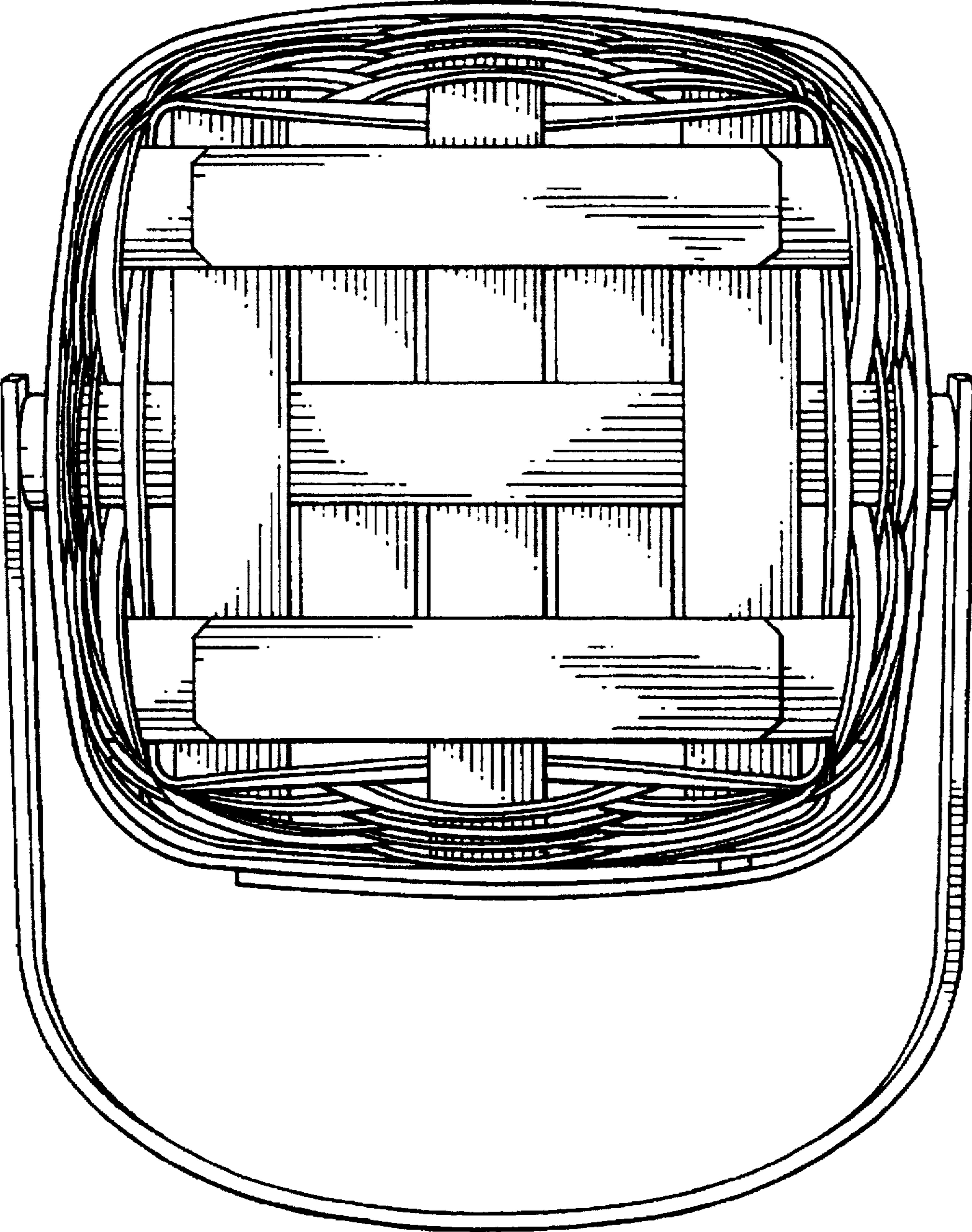


FIG. 2

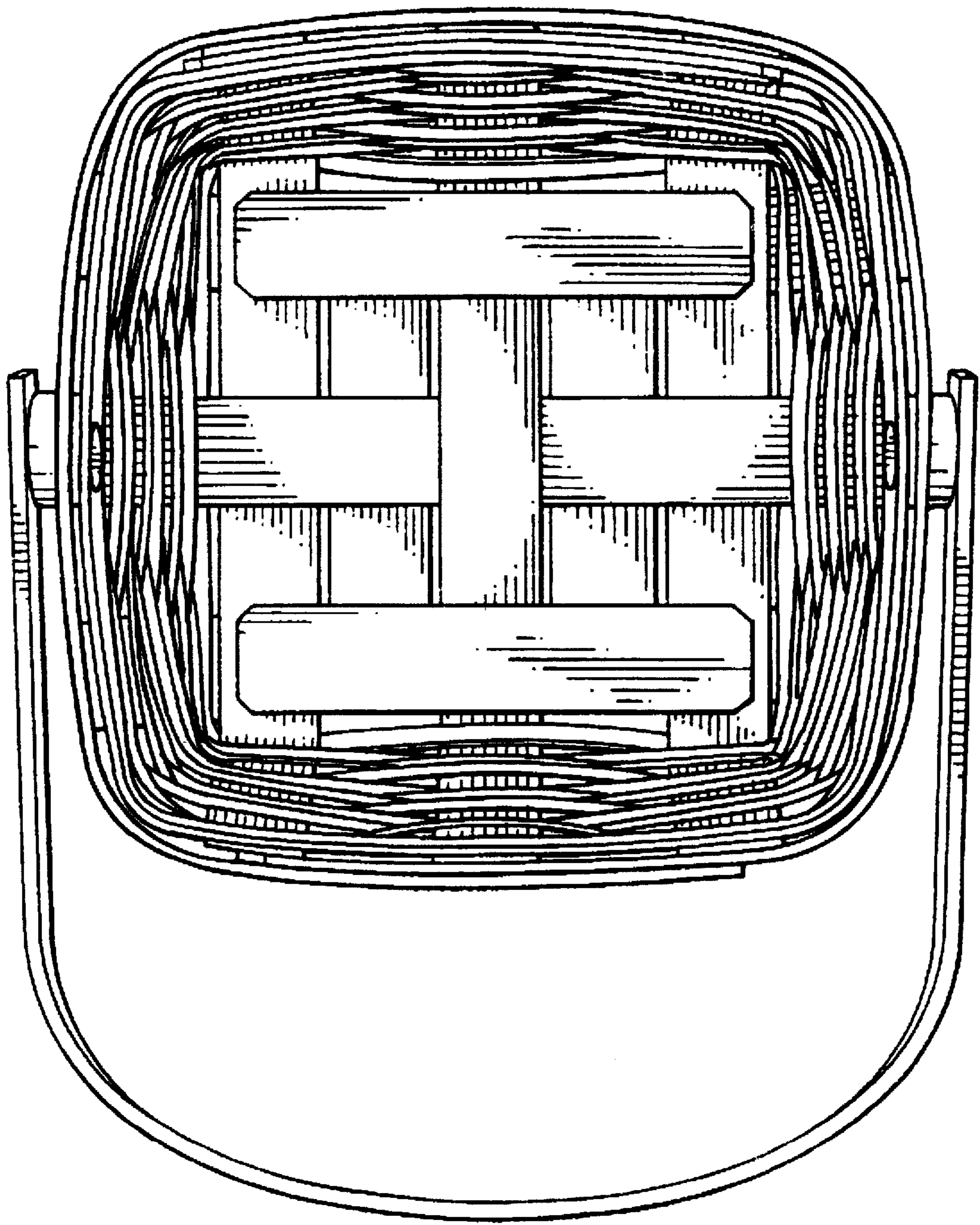


FIG. 3

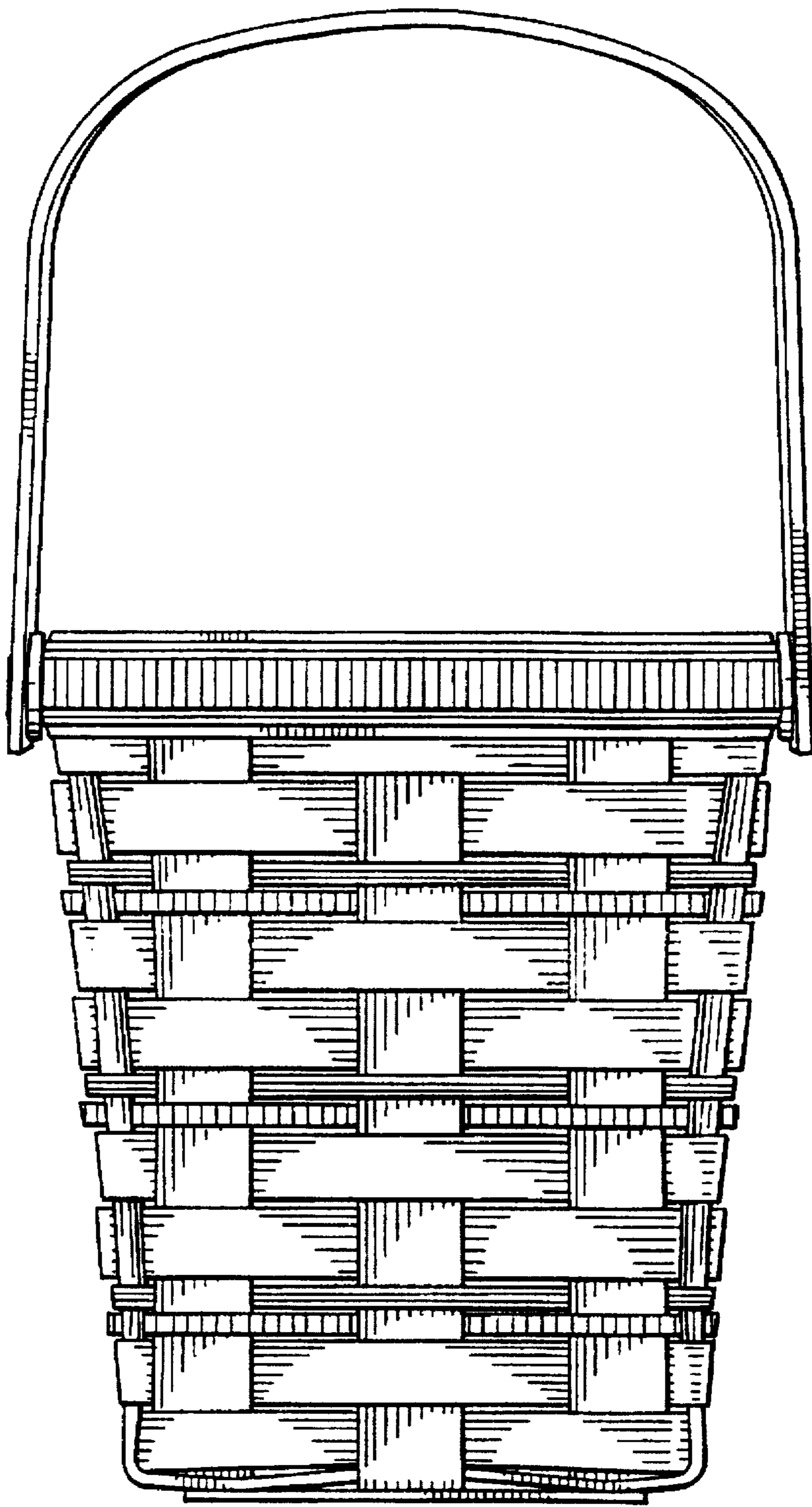


FIG. 4

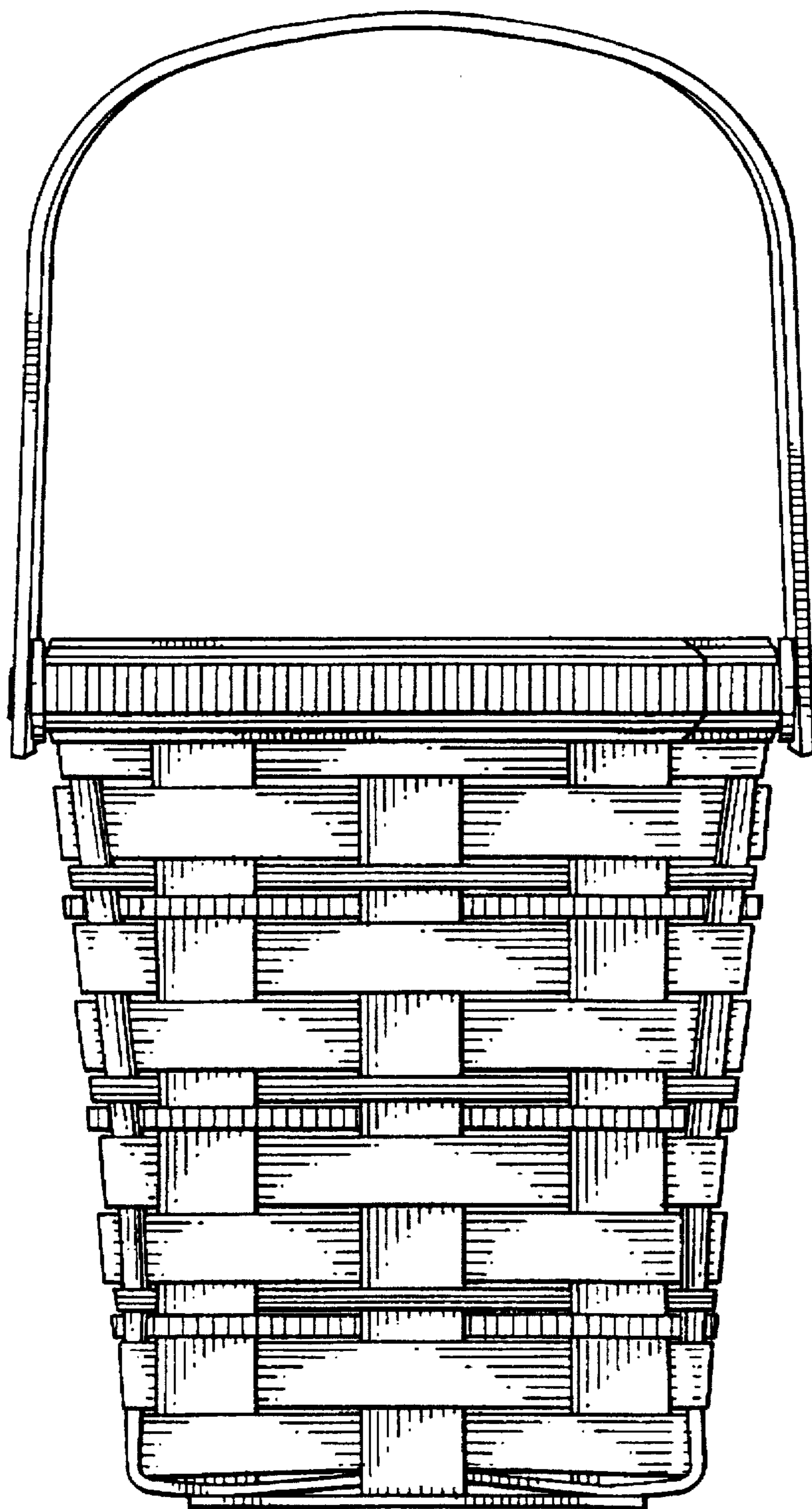


FIG. 5

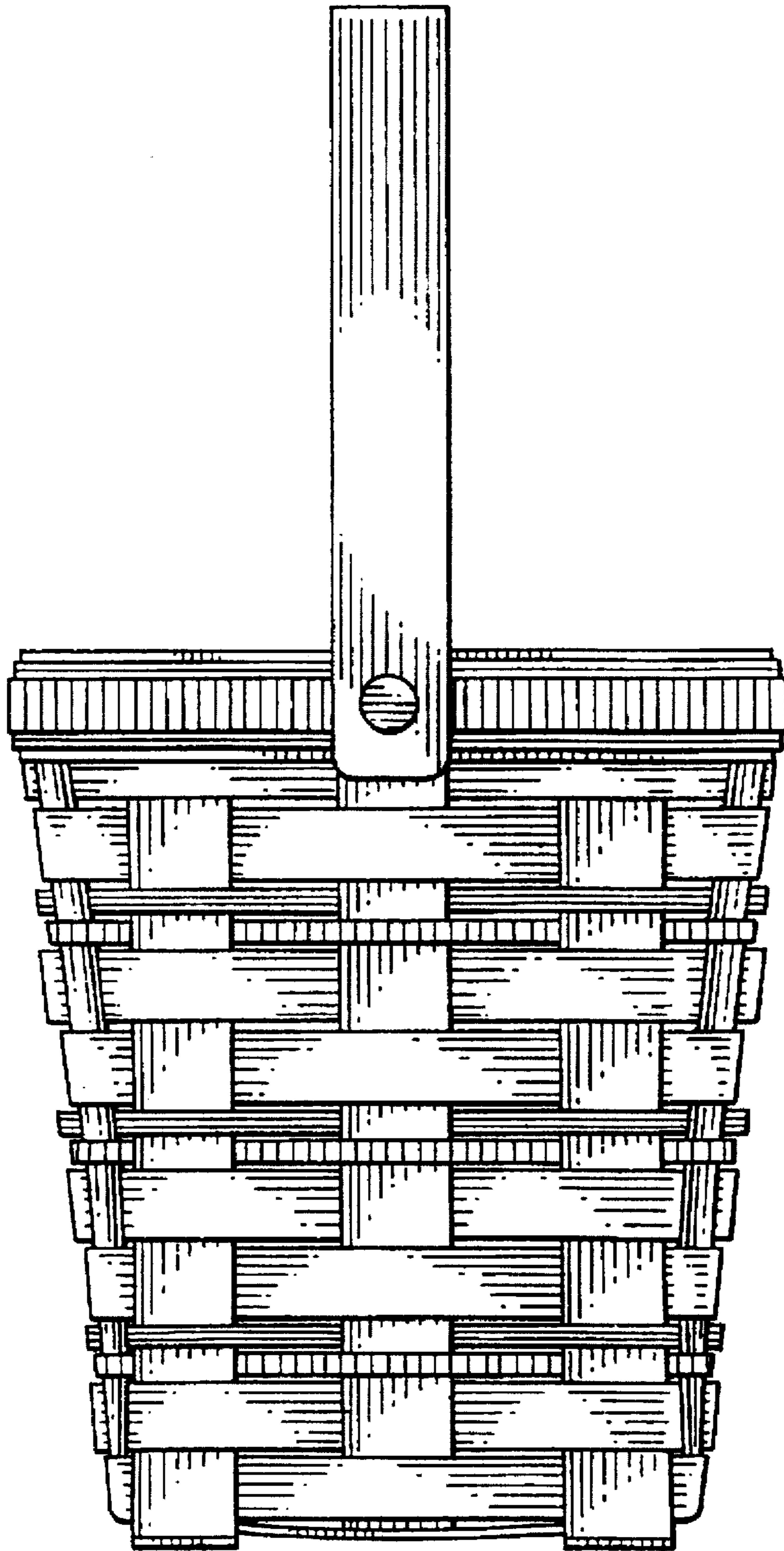


FIG. 6

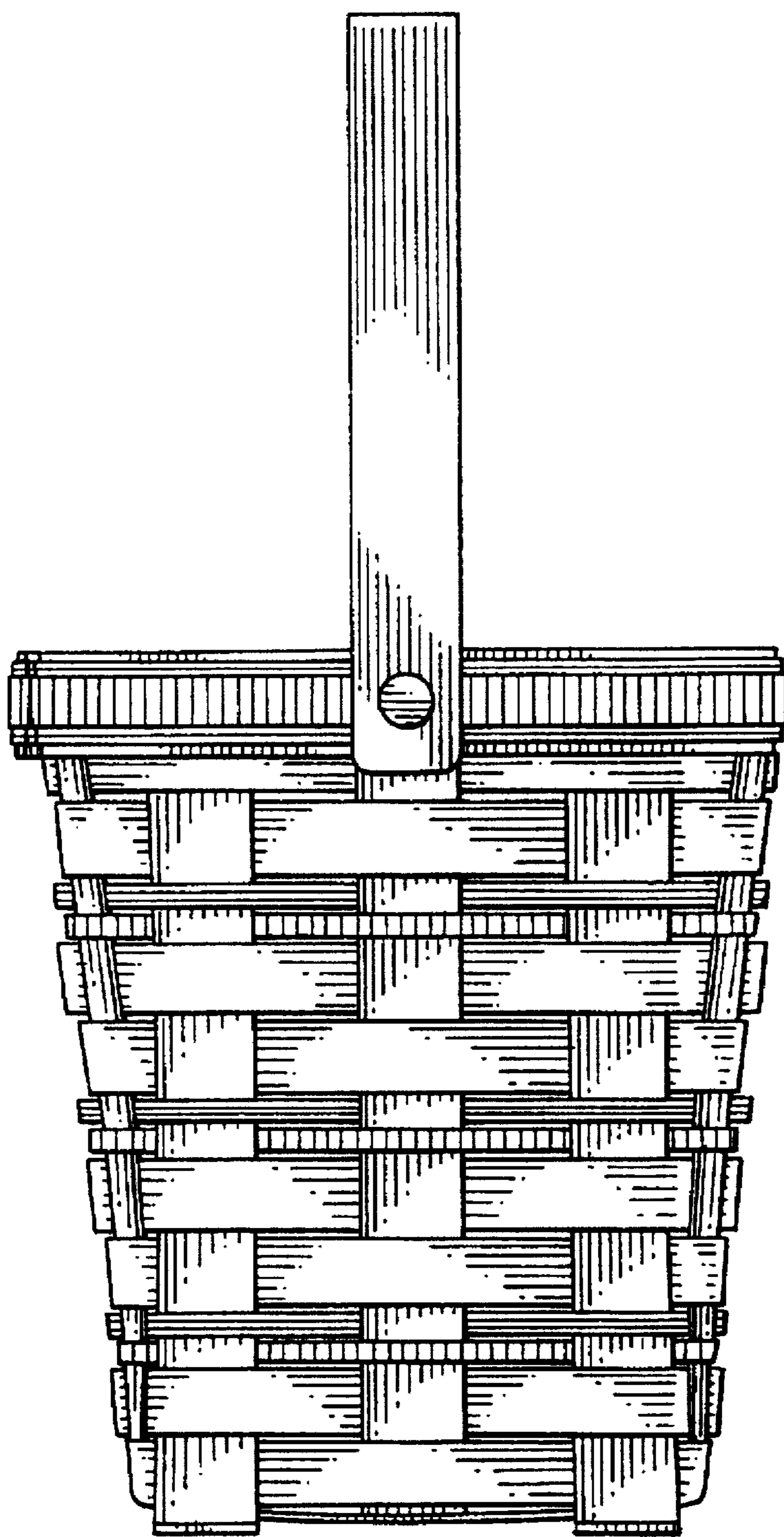


FIG. 7