



US00D390357S

United States Patent [19]
Rosen

[11] **Patent Number: Des. 390,357**
[45] **Date of Patent: **Feb. 10, 1998**

[54] **CARRYING CASE WITH TRANSPARENT COVER**

[75] **Inventor: Lawrence L. Rosen, Mendham, N.J.**

[73] **Assignee: Rose Art Industries, Inc., Livingston, N.J.**

[**] **Term: 14 Years**

[21] **Appl. No.: 64,208**

[22] **Filed: Dec. 24, 1996**

[51] **LOC (6) Cl. 03-01**

[52] **U.S. Cl. D3/282; D3/276**

[58] **Field of Search D3/272, 273, 274, D3/276, 282, 294, 905; D9/424; 206/372, 373, 349; 220/331; 190/100, 107, 109, 111, 115**

[56] **References Cited**

U.S. PATENT DOCUMENTS

- D. 314,667 2/1991 Hussain D3/274
- D. 343,731 2/1994 Tsumita D3/282
- D. 348,903 7/1994 Fischtein et al. D3/282

- D. 367,557 3/1996 Chang D32/281
- D. 368,159 3/1996 Calmeise et al. D3/282
- D. 368,371 4/1996 Calmeise D3/276
- 5,203,469 4/1993 Chang et al. 206/372
- 5,429,235 7/1995 Chen 206/373

Primary Examiner—Philip S. Hyder
Attorney, Agent, or Firm—Allen N. Friedman

[57] **CLAIM**

The ornamental design for a carrying case with transparent cover, as shown and described.

DESCRIPTION

FIG. 1 is a right front perspective view of the carrying case with transparent cover;
FIG. 2 is a front elevational view thereof;
FIG. 3 is a top plan view thereof;
FIG. 4 is a right side elevational view thereof;
FIG. 5 is a rear elevational view thereof;
FIG. 6 is a bottom plan view thereof; and,
FIG. 7 is a right front perspective view of a modified embodiment of the carrying case with transparent cover, wherein the border around the cover is translucent.

1 Claim, 4 Drawing Sheets

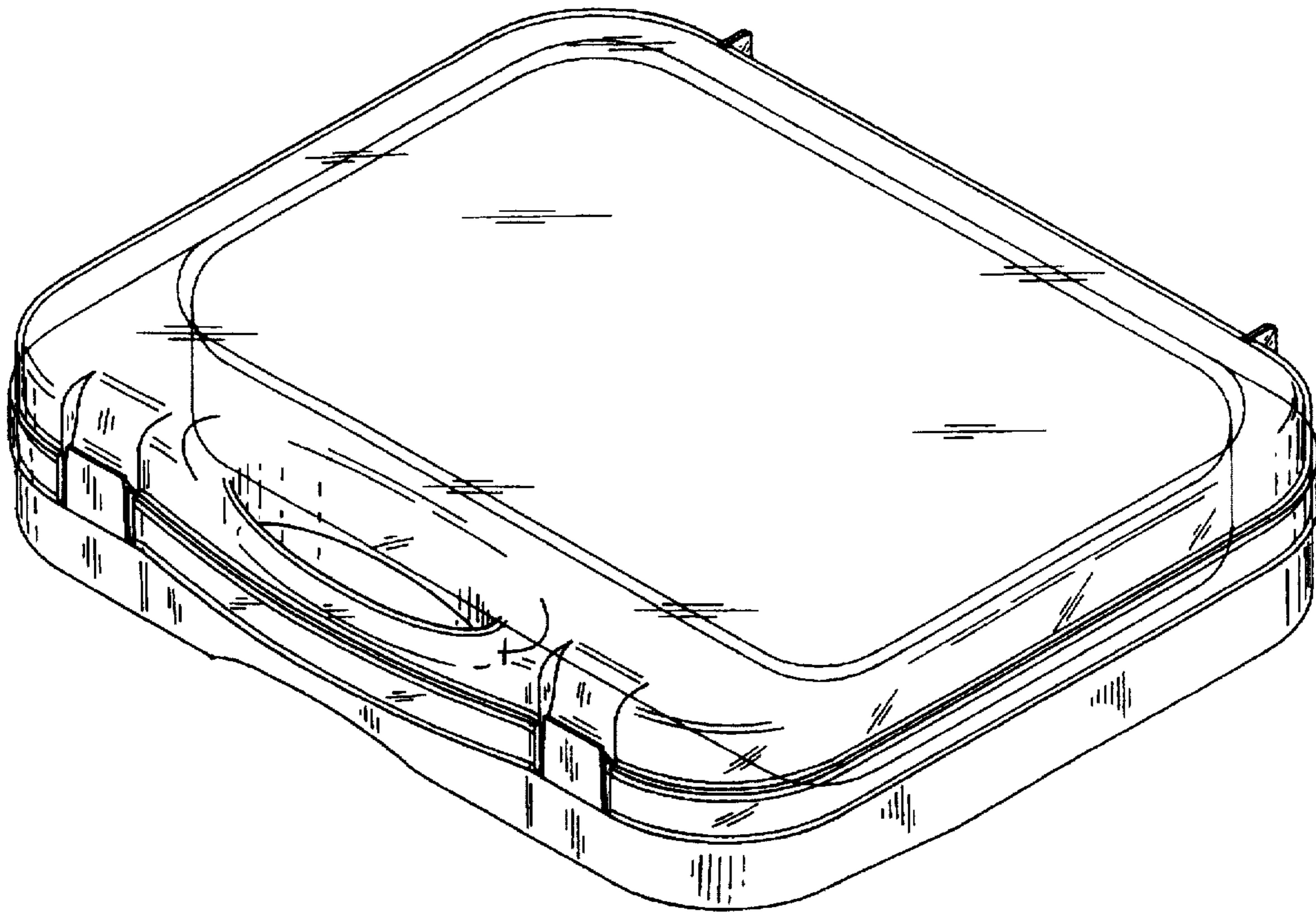


FIG. 1

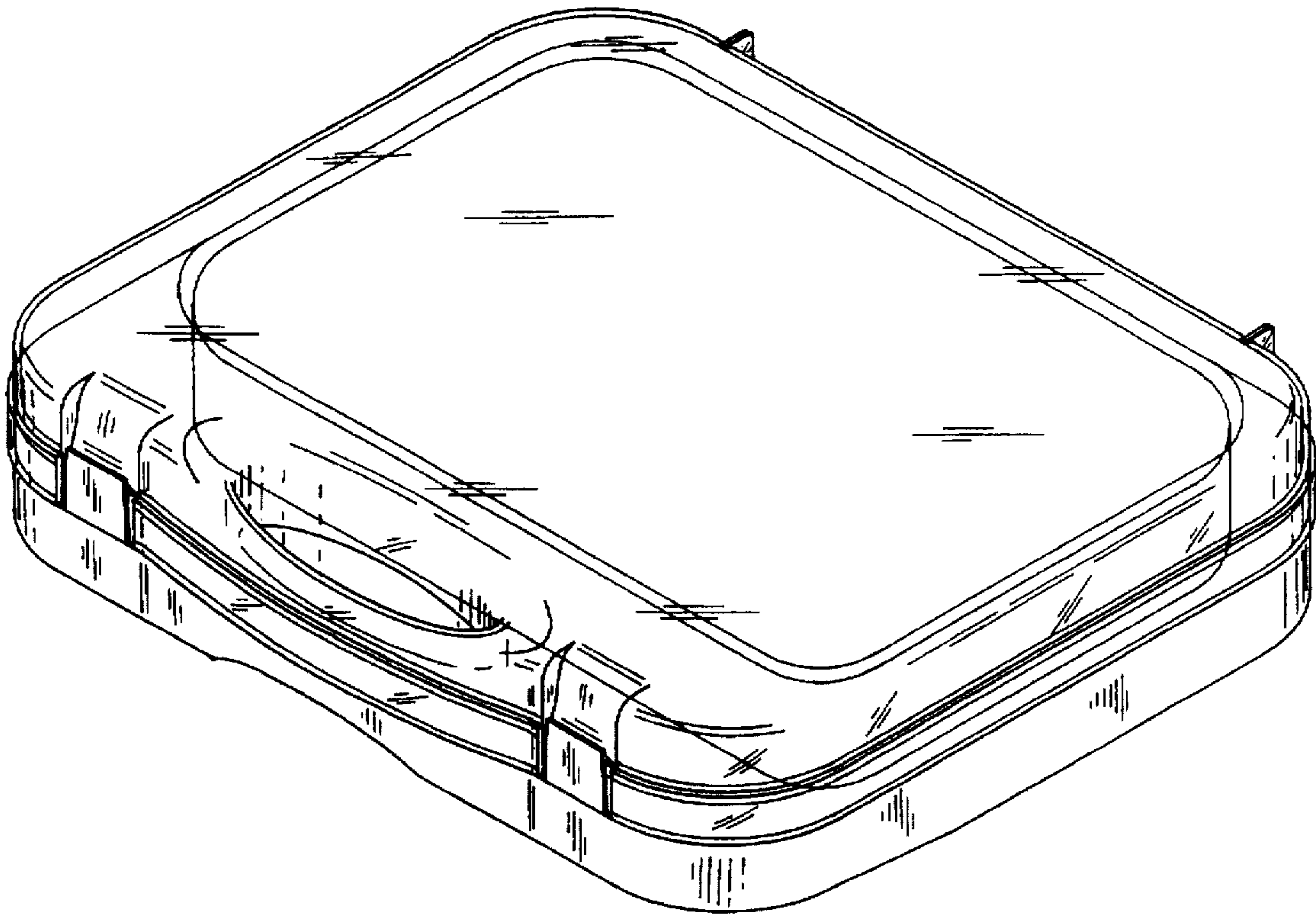


FIG. 2

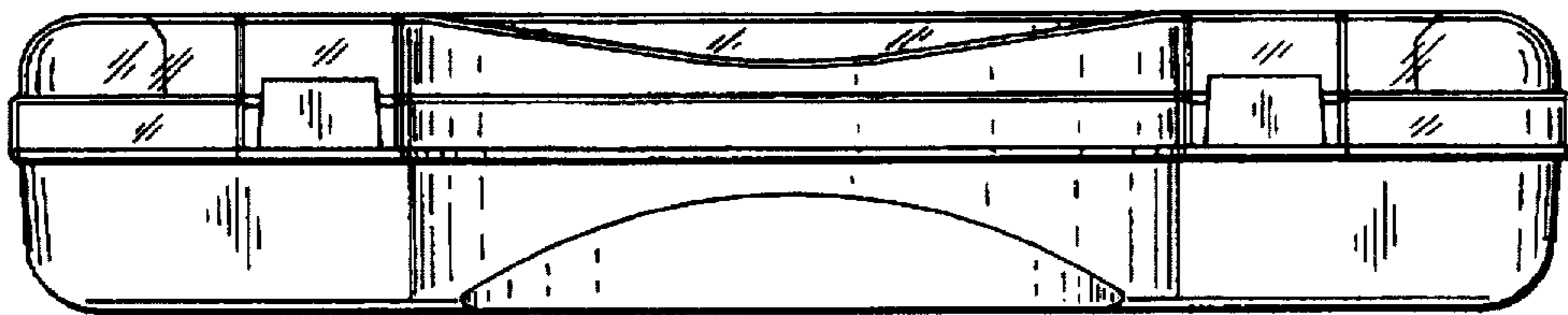


FIG. 3

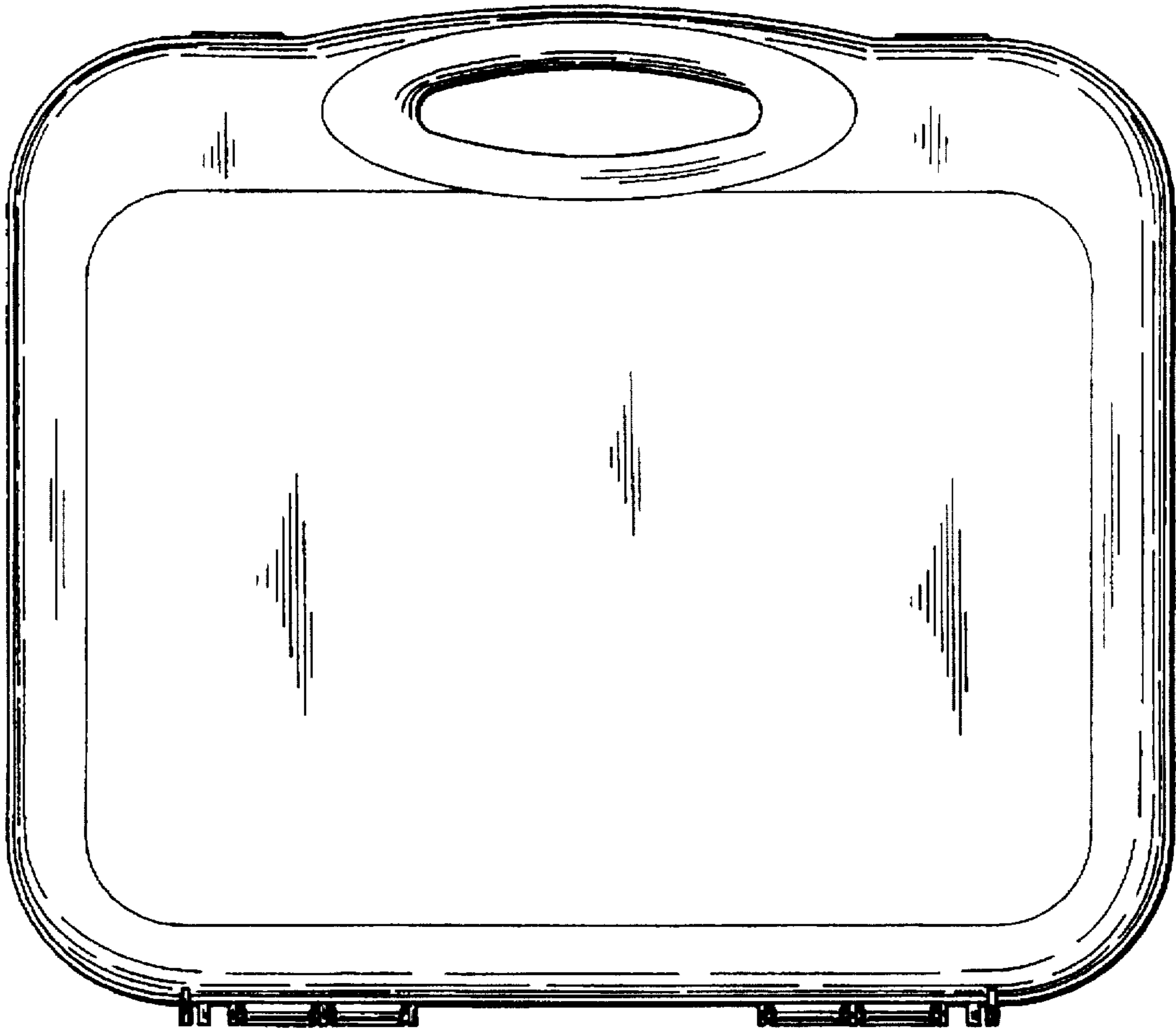


FIG. 4

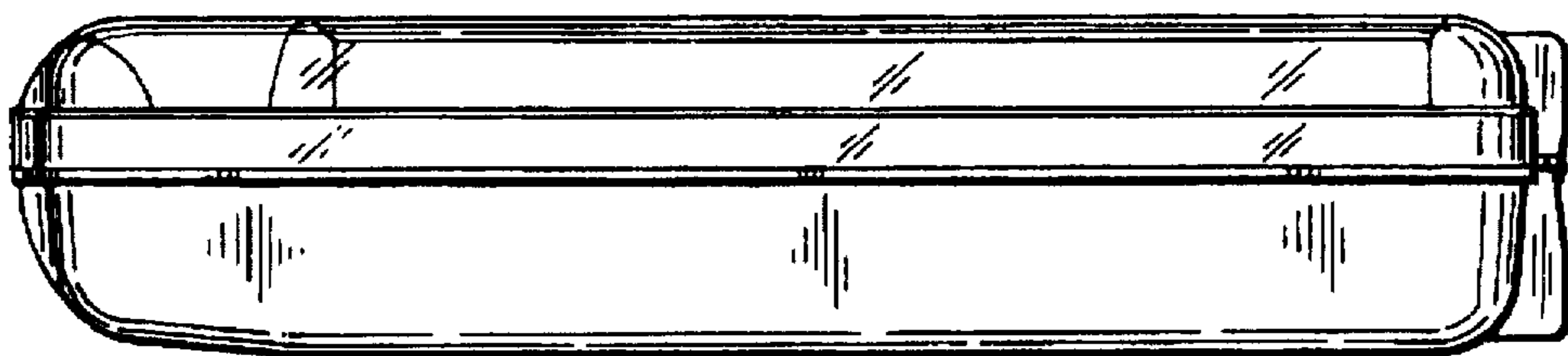


FIG. 5

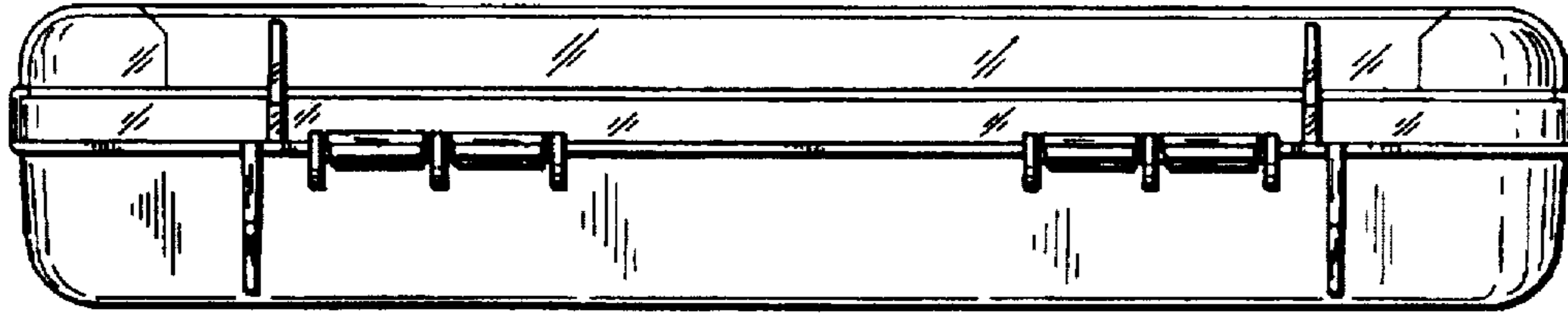
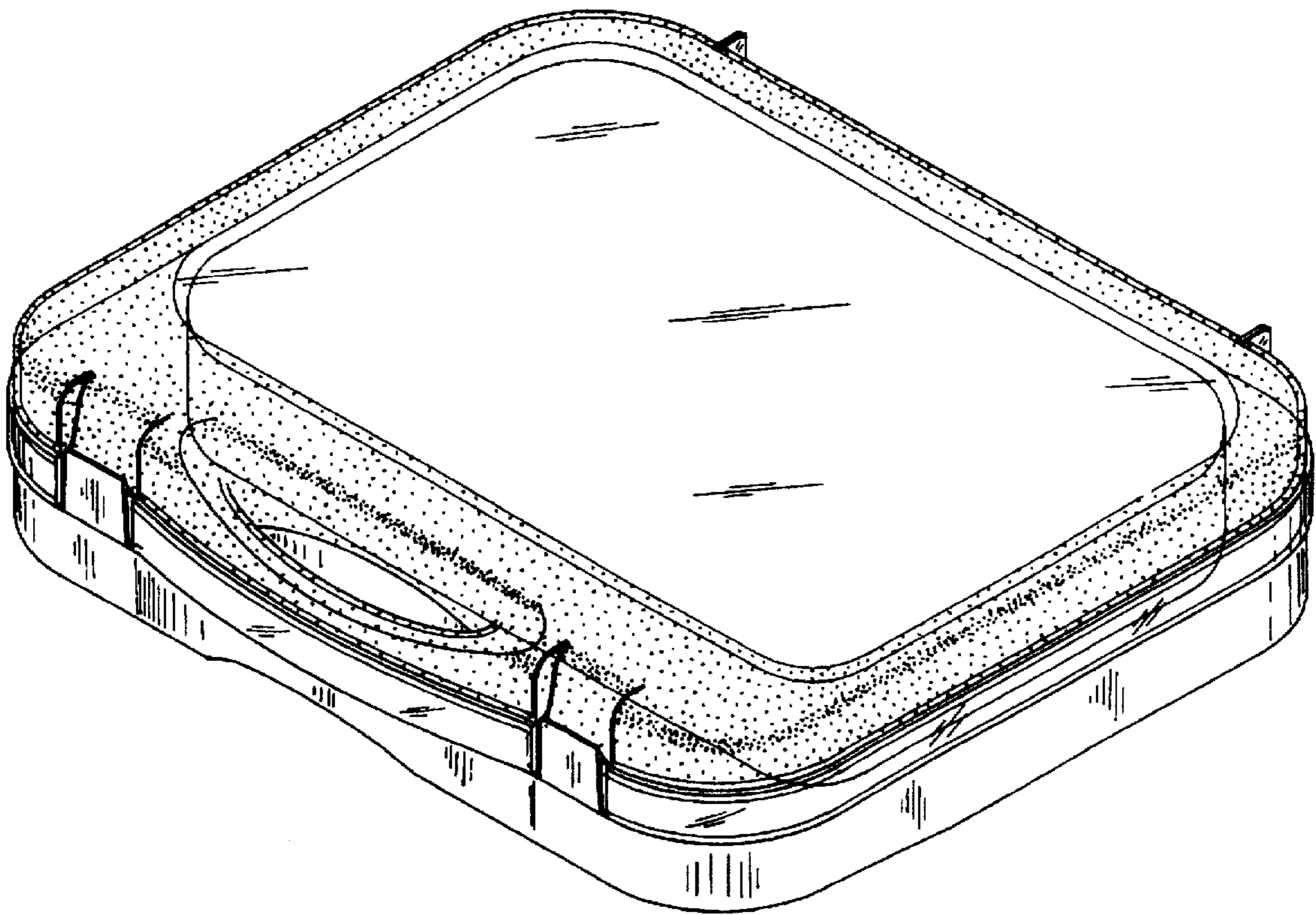


FIG. 6



FIG. 7



Disclaimer

D390,357—Lawrence I. Rosen, Mendham, N.J. CARRYING CASE WITH TRANSPARENT COVER. Patent dated February 10, 1998. Disclaimer filed March 17, 1998, by the assignee, Rose Art Industries, Inc.

The term of this patent subsequent to October 7, 2011, has been disclaimed.
(*Official Gazette*, July 14, 1998)