



US00D390354S

**United States Patent** [19]  
**Presley**

[11] **Patent Number: Des. 390,354**

[45] **Date of Patent: \*\*Feb. 10, 1998**

[54] **GOLF ACCESSORY HOLDER**

4,129,237 12/1978 Grinder ..... 224/918 X  
4,830,248 5/1989 Pommenville ..... 224/918 X

[76] **Inventor: Jerry R. Presley, 11600 E. Manzanita Trail, Dewey, Ariz. 86327**

*Primary Examiner*—Doris V. Coles  
*Assistant Examiner*—Catherine R. Oliver  
*Attorney, Agent, or Firm*—Harry M. Weiss; Jeffrey D. Moy; Harry M. Weiss & Associates, P.C.

[\*\*] **Term: 14 Years**

[21] **Appl. No.: 55,928**

[57] **CLAIM**

[22] **Filed: Jun. 17, 1996**

The ornamental design for a golf accessory holder, as shown and described.

[51] **LOC (6) Cl. .... 03-01**

[52] **U.S. Cl. .... D3/221**

[58] **Field of Search** ..... D3/221, 254, 255, D3/259, 320; D21/223, 234; 206/315.1, 315.2, 315.3, 315.4, 315.5, 315.6, 315.7, 315.8, 315.9; 224/918, 919, 274

**DESCRIPTION**

FIG. 1 is a perspective view of a golf accessory holder showing my new design;  
FIG. 2 is a top plan view thereof;  
FIG. 3 is a rear elevational view thereof;  
FIG. 4 is a left side elevation view thereof with the right side elevational view being a mirror image of that shown;  
FIG. 5 is a front elevational view thereof; and,  
FIG. 6 is a bottom plan view thereof.

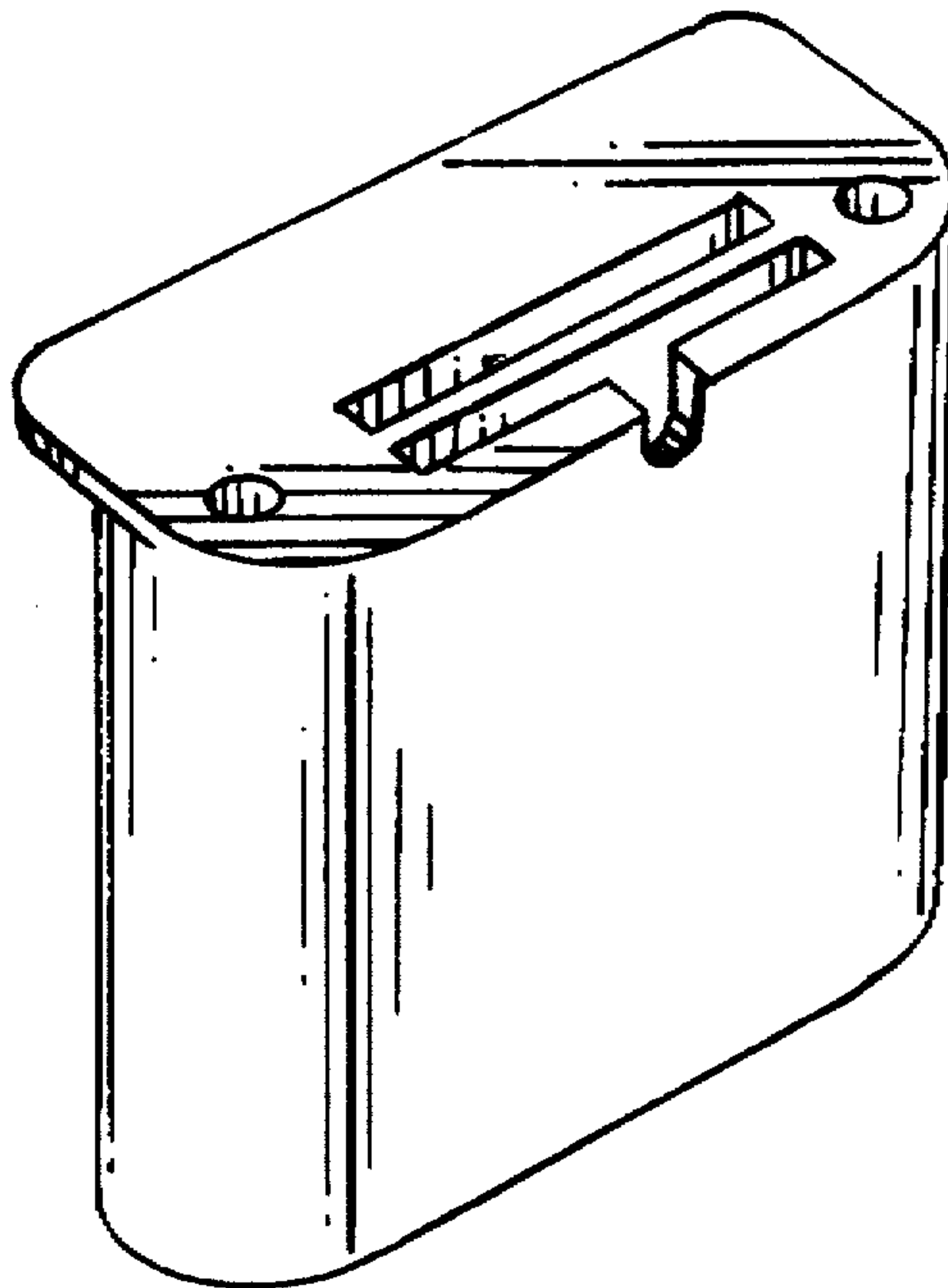
[56] **References Cited**

**U.S. PATENT DOCUMENTS**

D. 252,422 7/1979 Gillenwater ..... D3/221  
D. 296,156 6/1988 Deany et al. .... D3/221  
D. 301,286 5/1989 Hird ..... D3/221  
D. 338,254 8/1993 Ribbeck ..... D3/320  
3,298,579 1/1967 Smith ..... 224/918 X

The broken line showing of environment in the drawings is for illustrative purposes only and forms no part of the claimed design.

**1 Claim, 1 Drawing Sheet**



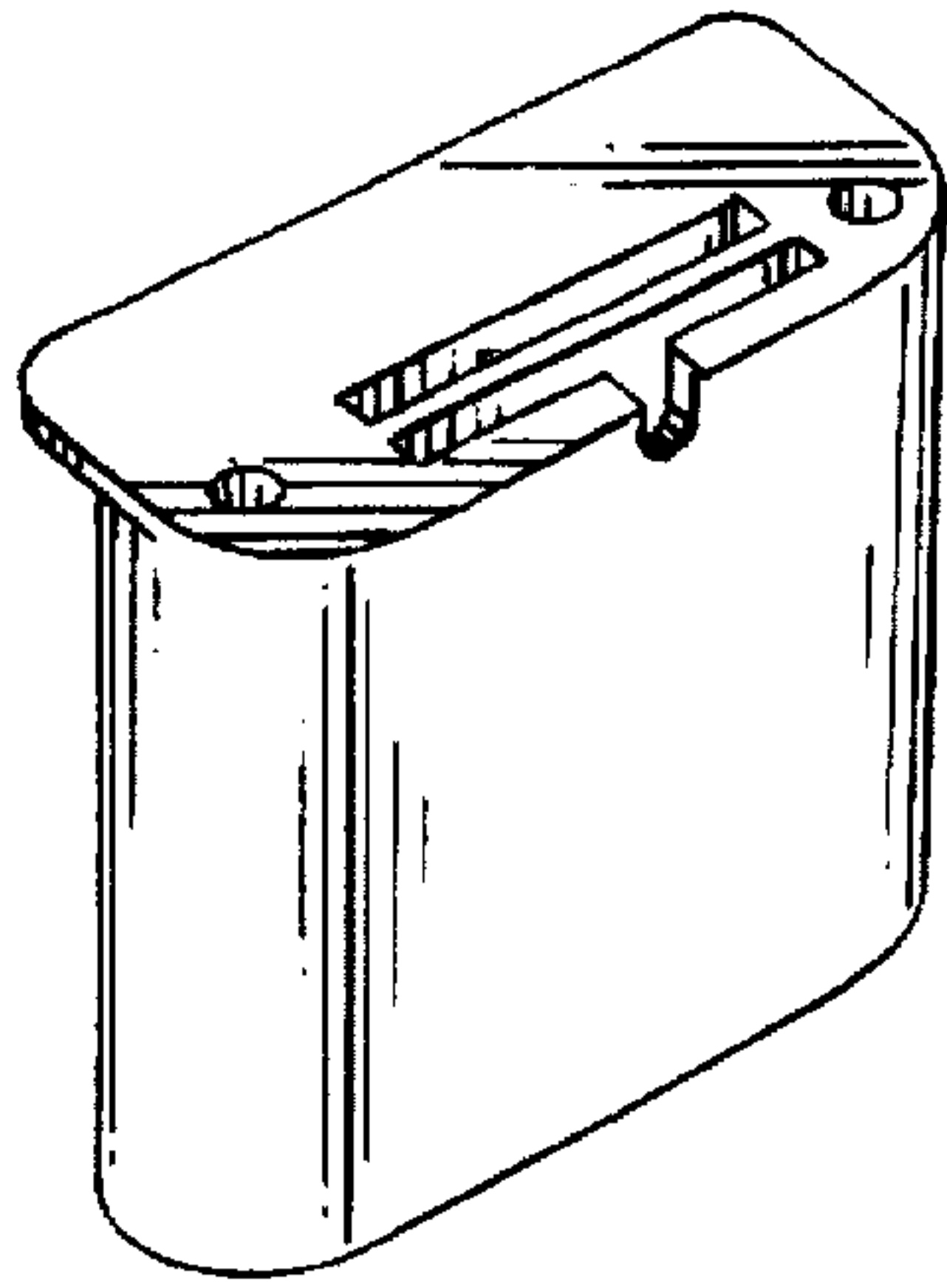


FIG. 1

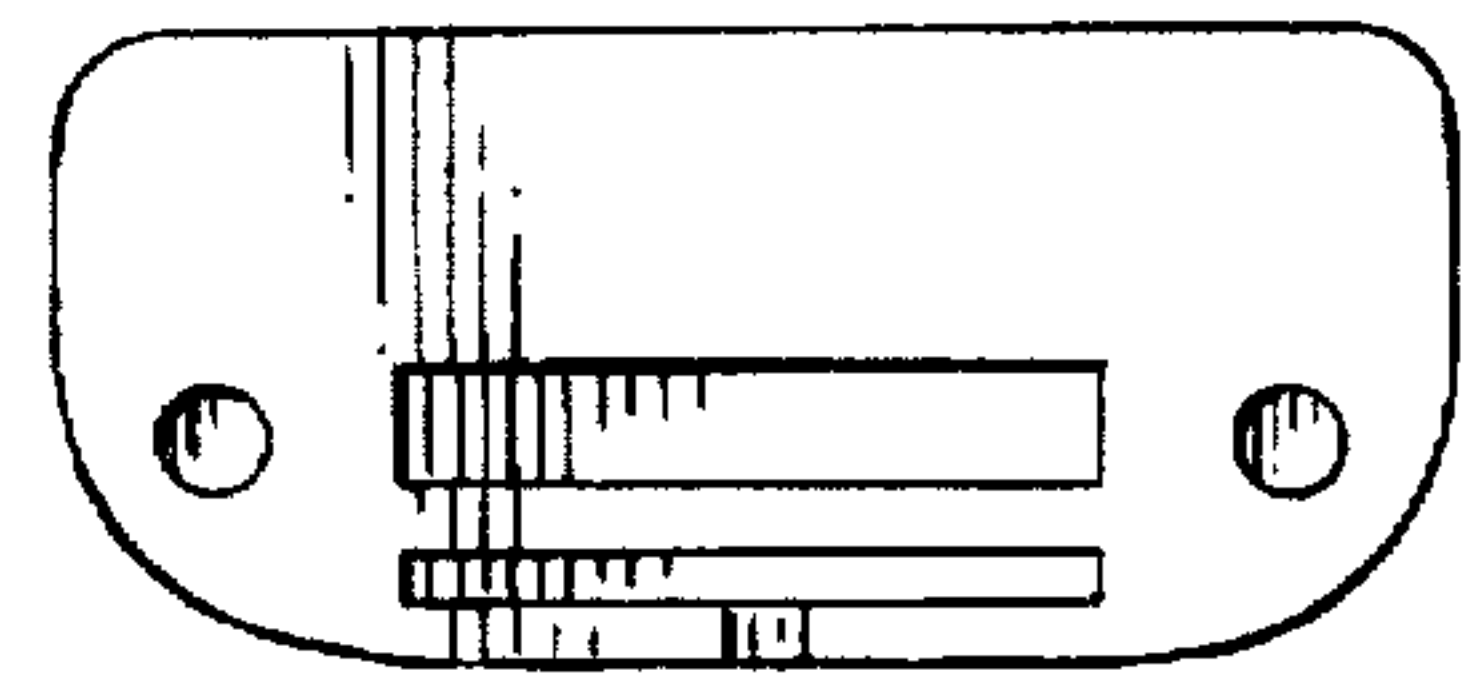


FIG. 2

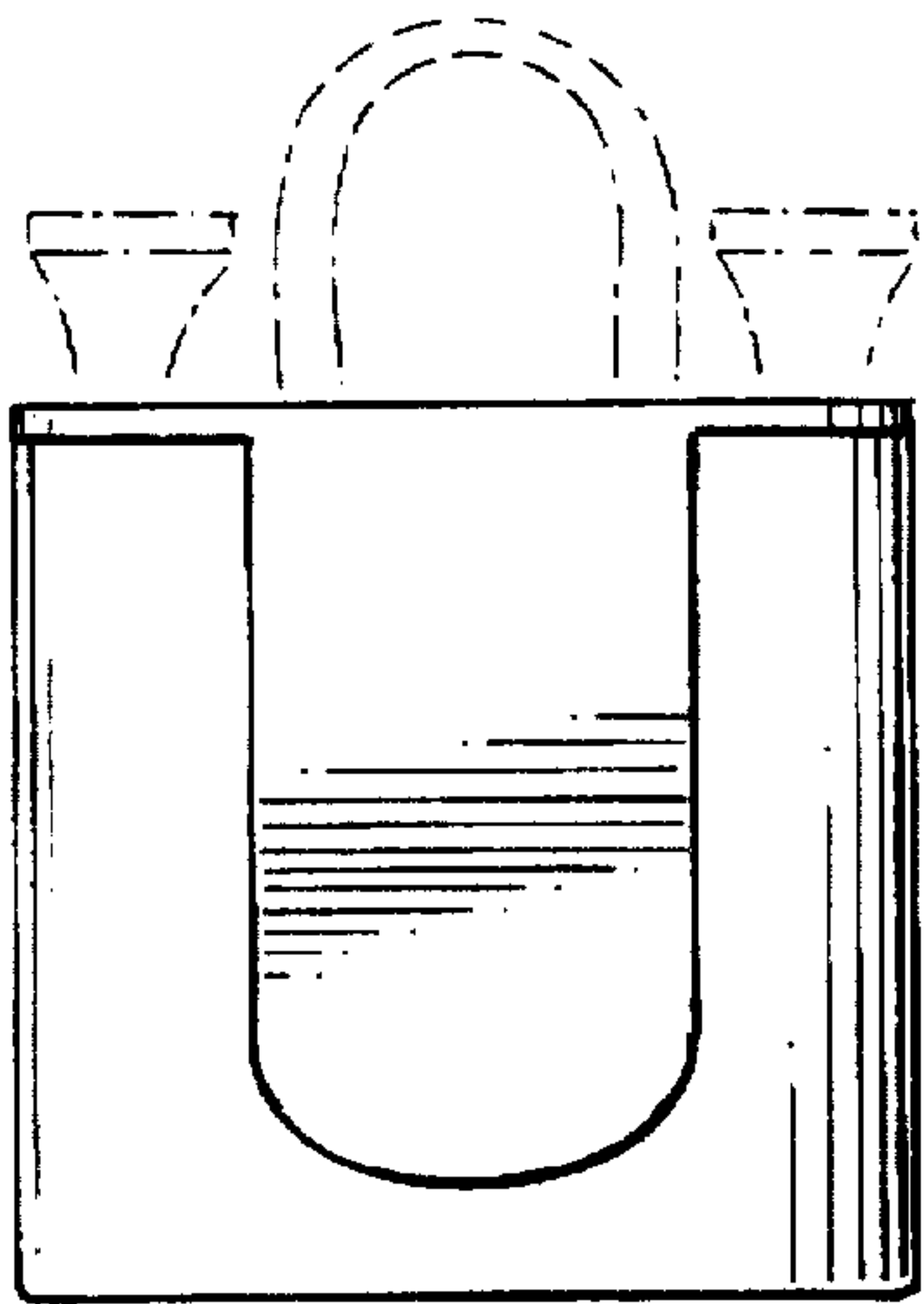


FIG. 3

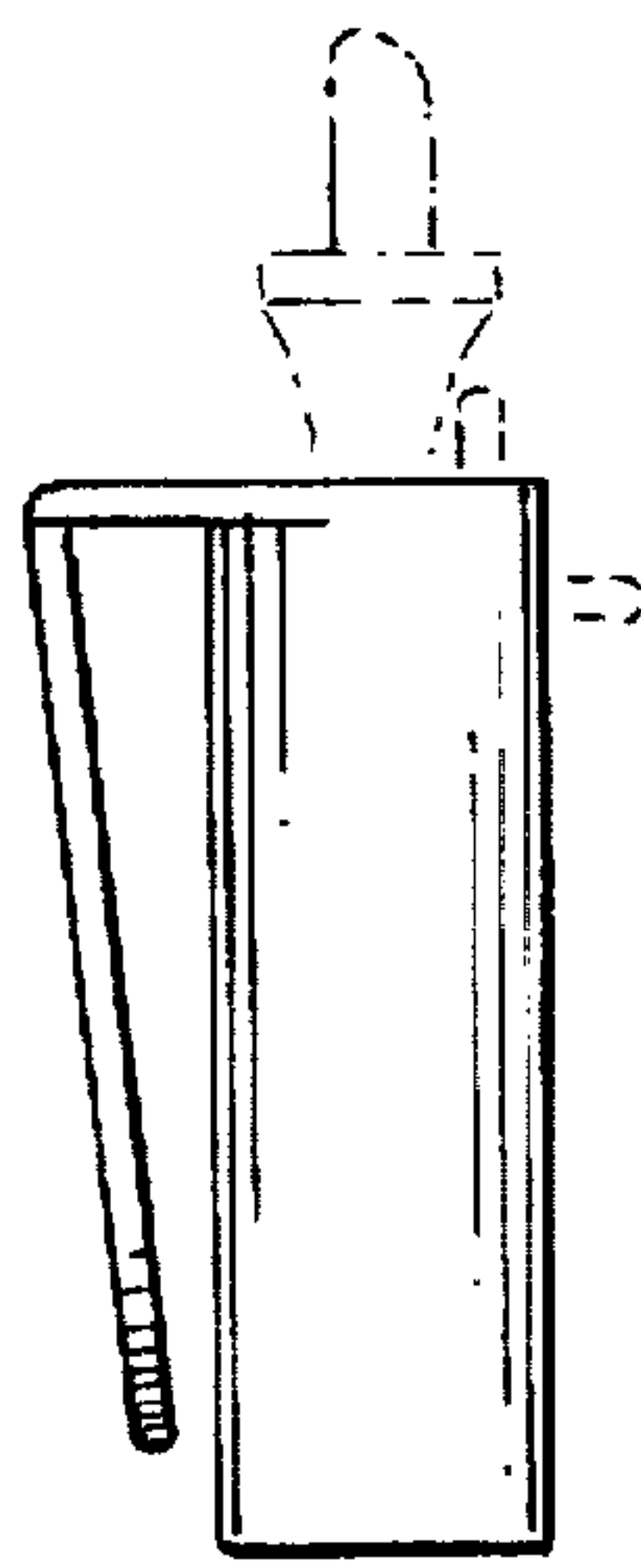


FIG. 4

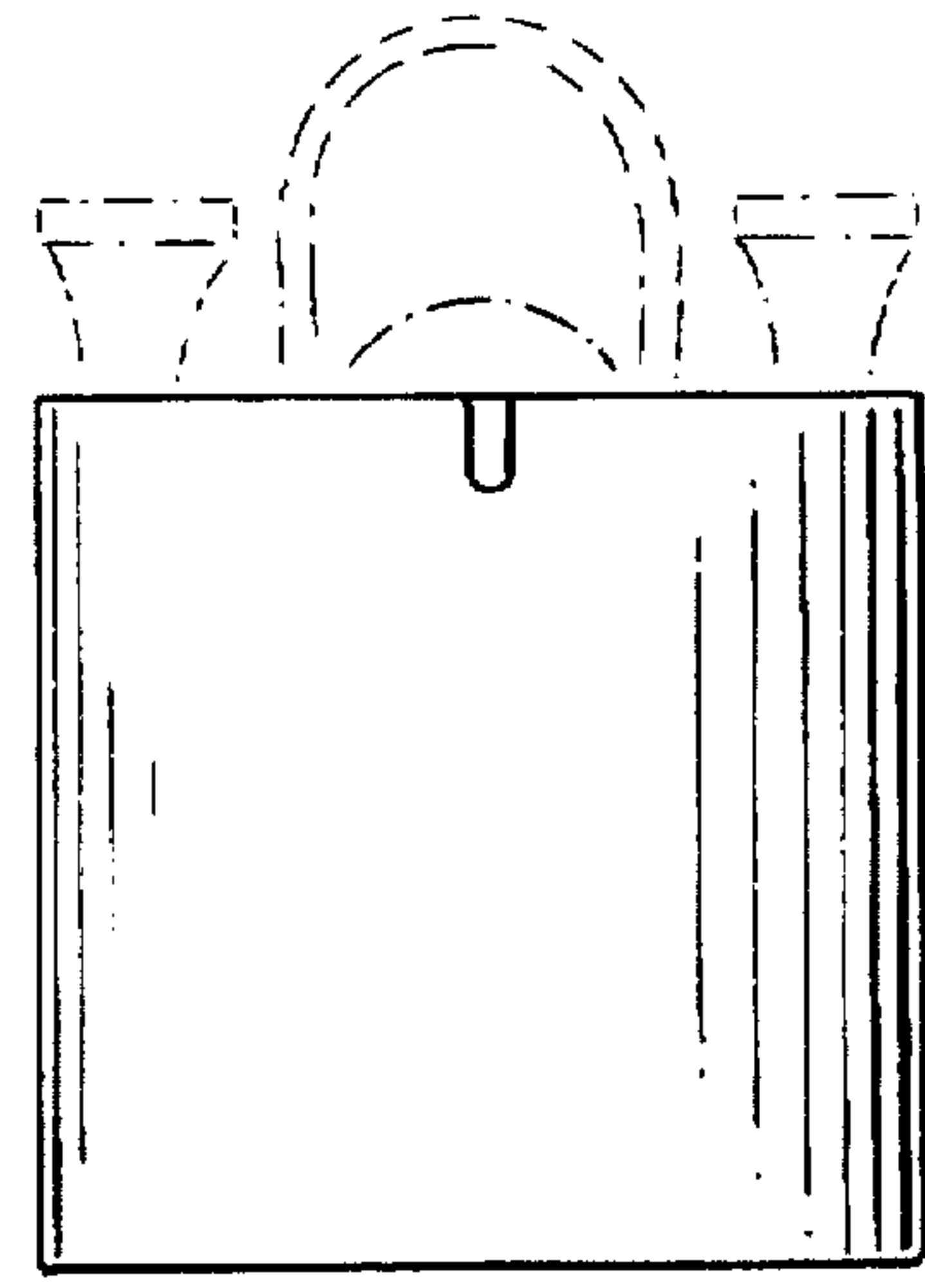


FIG. 5

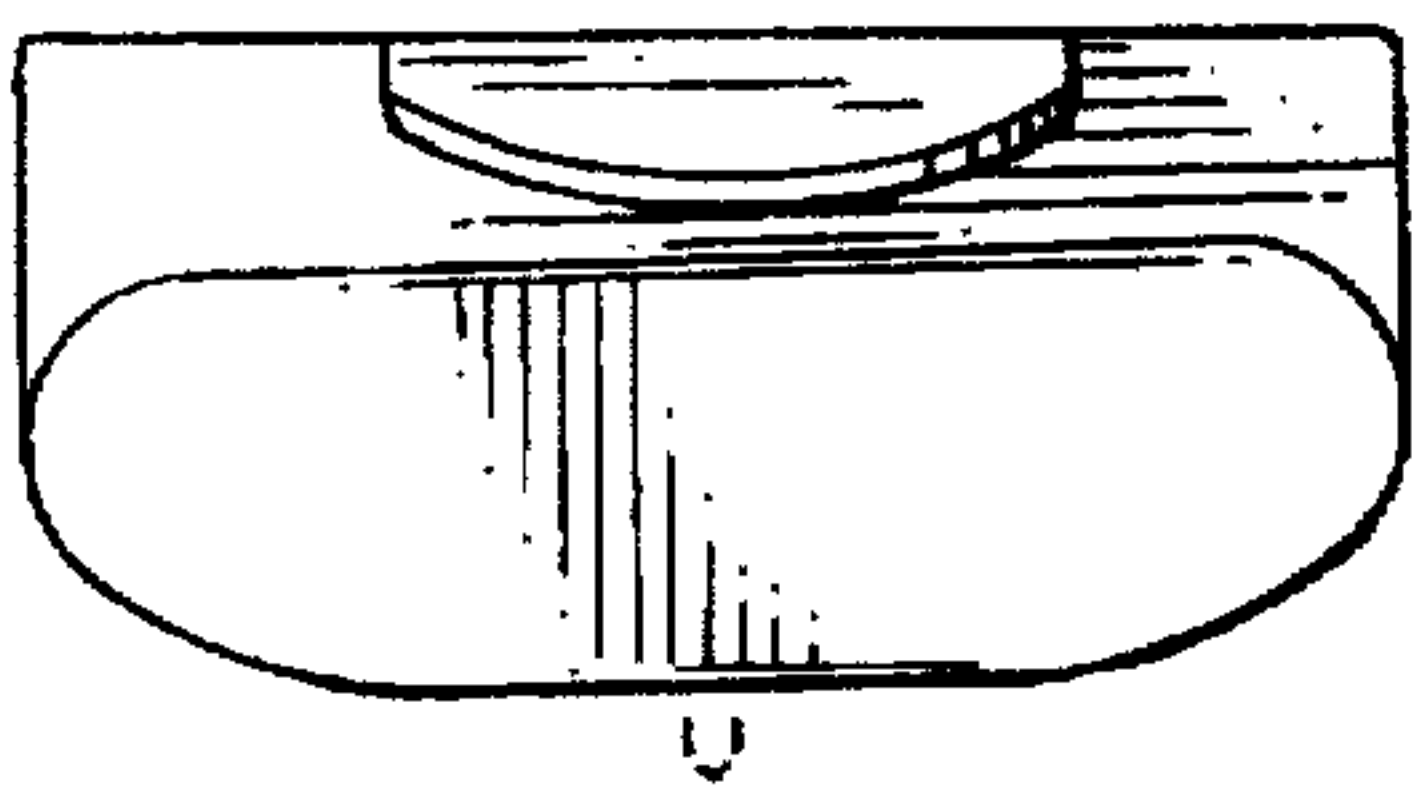


FIG. 6