



US00D390353S

United States Patent [19]

Ross et al.

[11] Patent Number: **Des. 390,353**

[45] Date of Patent: ****Feb. 10, 1998**

[54] **PAGER HOLSTER**

[75] Inventors: **Bruce Wade Ross**, Fort Worth; **Mark Andrew Huslig**, Haltom City; **Son Quang Le**, Fort Worth, all of Tex.

[73] Assignee: **Motorola, Inc.**, Schaumburg, Ill.

[**] Term: **14 Years**

[21] Appl. No.: **62,718**

[22] Filed: **Nov. 22, 1996**

[51] **LOC (6) Cl.** **03-01**

[52] **U.S. Cl.** **D3/218**

[58] **Field of Search** D3/218, 215, 219;
D14/138, 250, 251; 224/236, 240, 267,
904, 913

[56] **References Cited**

U.S. PATENT DOCUMENTS

- D. 329,749 9/1992 Scheid D3/218
- D. 345,053 3/1994 Gomez et al. D3/218
- D. 348,355 7/1994 Scheid et al. D3/218

- D. 354,620 1/1995 King et al. D3/218
- D. 357,577 4/1995 Scheid D3/218
- D. 365,676 1/1996 Scheid et al. D3/218

Primary Examiner—Doris V. Coles
Assistant Examiner—Catherine R. Oliver
Attorney, Agent, or Firm—Pablo Meles

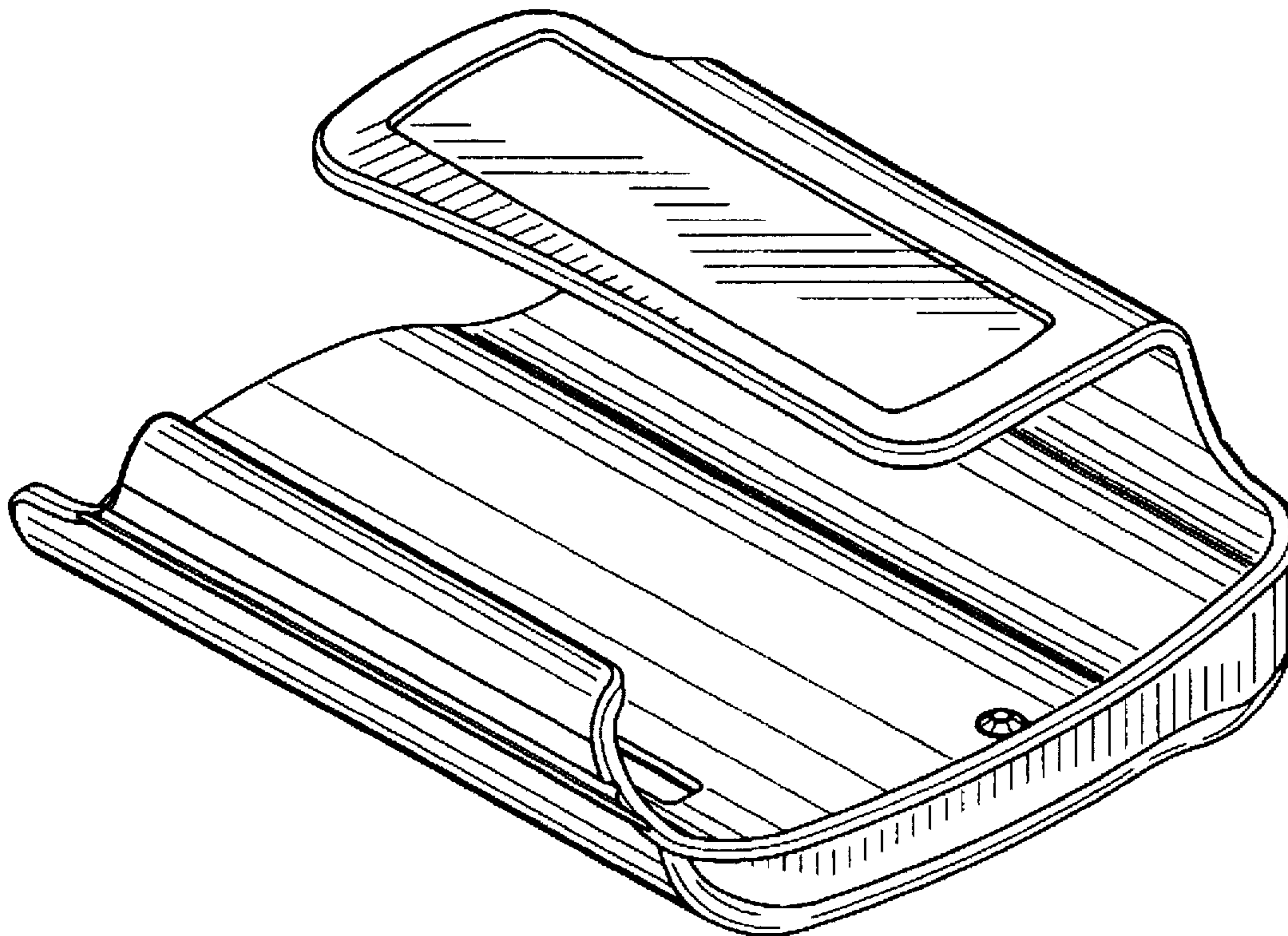
[57] **CLAIM**

The ornamental design for pager holster, as shown and described.

DESCRIPTION

FIG. 1 is a front elevational view of a pager holster showing our new design;
FIG. 2 is a rear elevational view thereof;
FIG. 3 is a top plan view thereof;
FIG. 4 is a bottom plan view thereof;
FIG. 5 is a left side elevational view thereof;
FIG. 6 is a right side elevational view thereof; and,
FIG. 7 is a bottom, front and left side perspective view thereof.

1 Claim, 4 Drawing Sheets



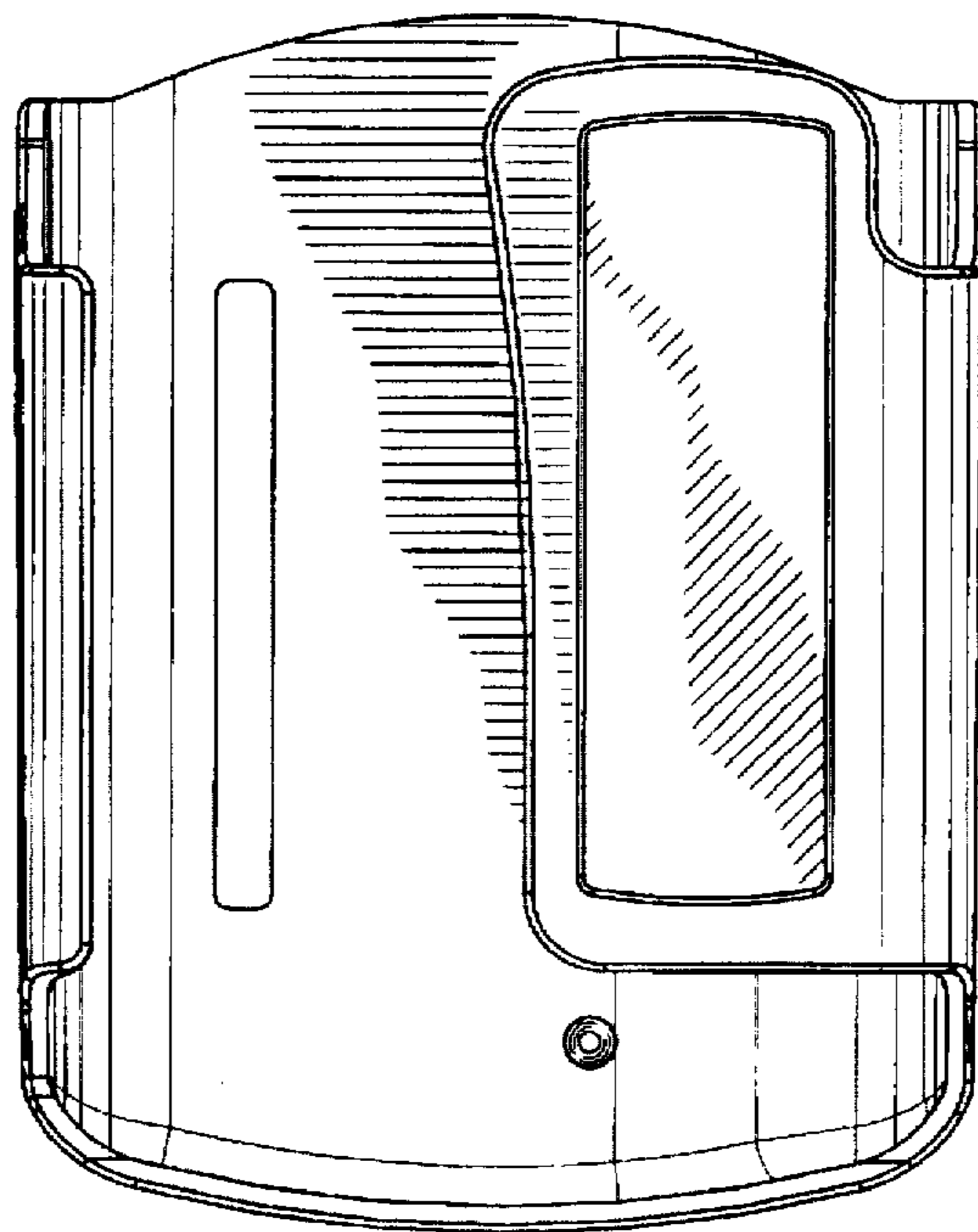


FIG. 1

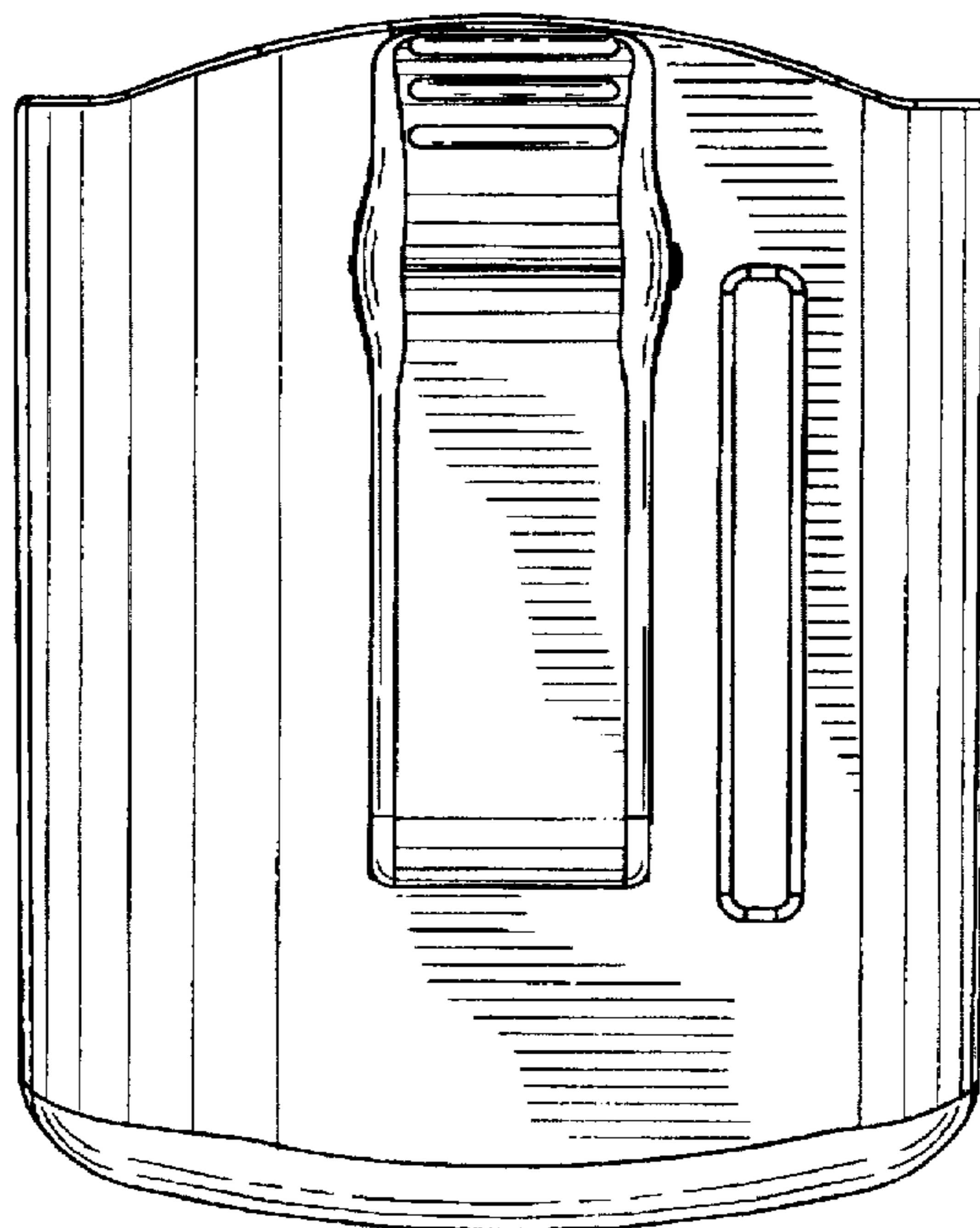


FIG. 2

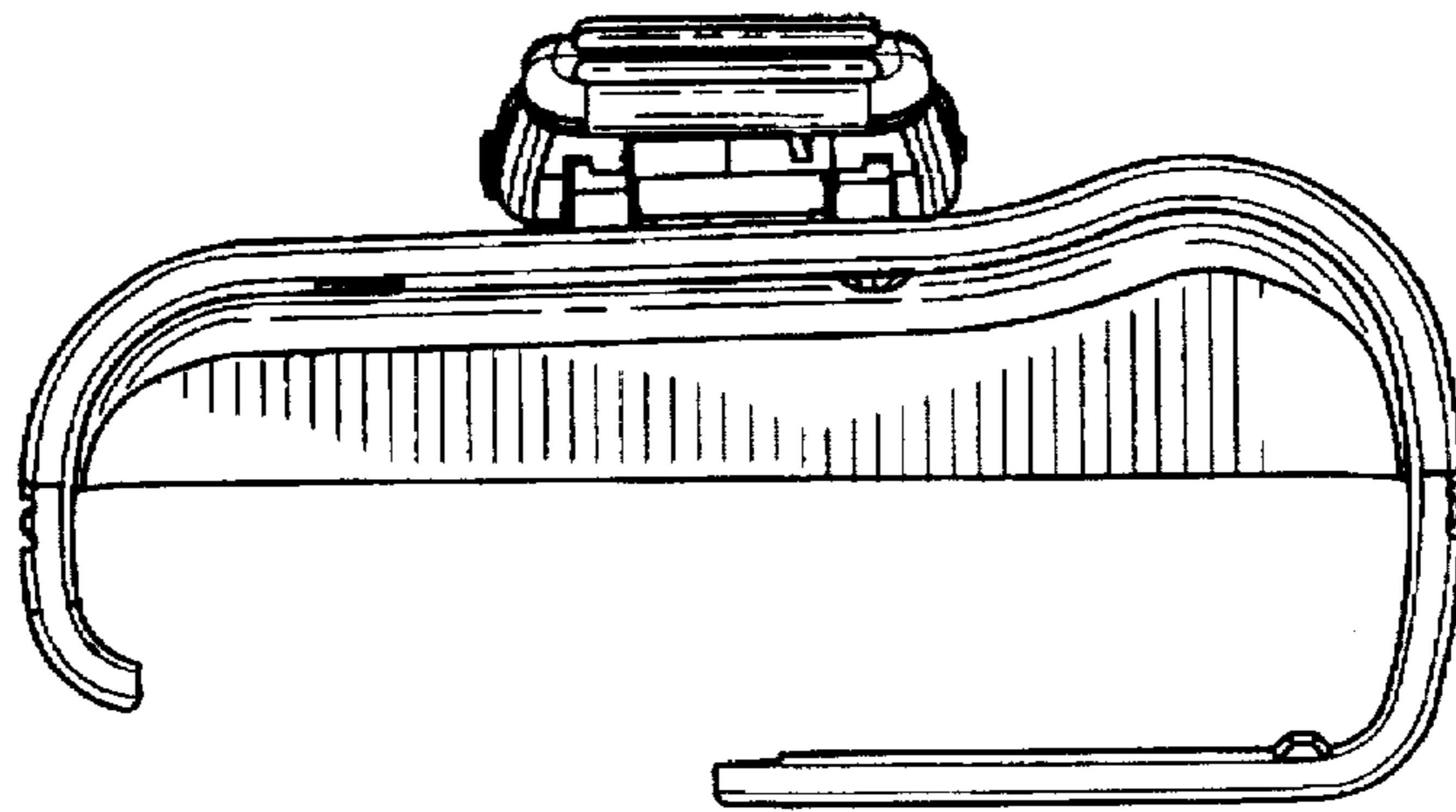


FIG. 3

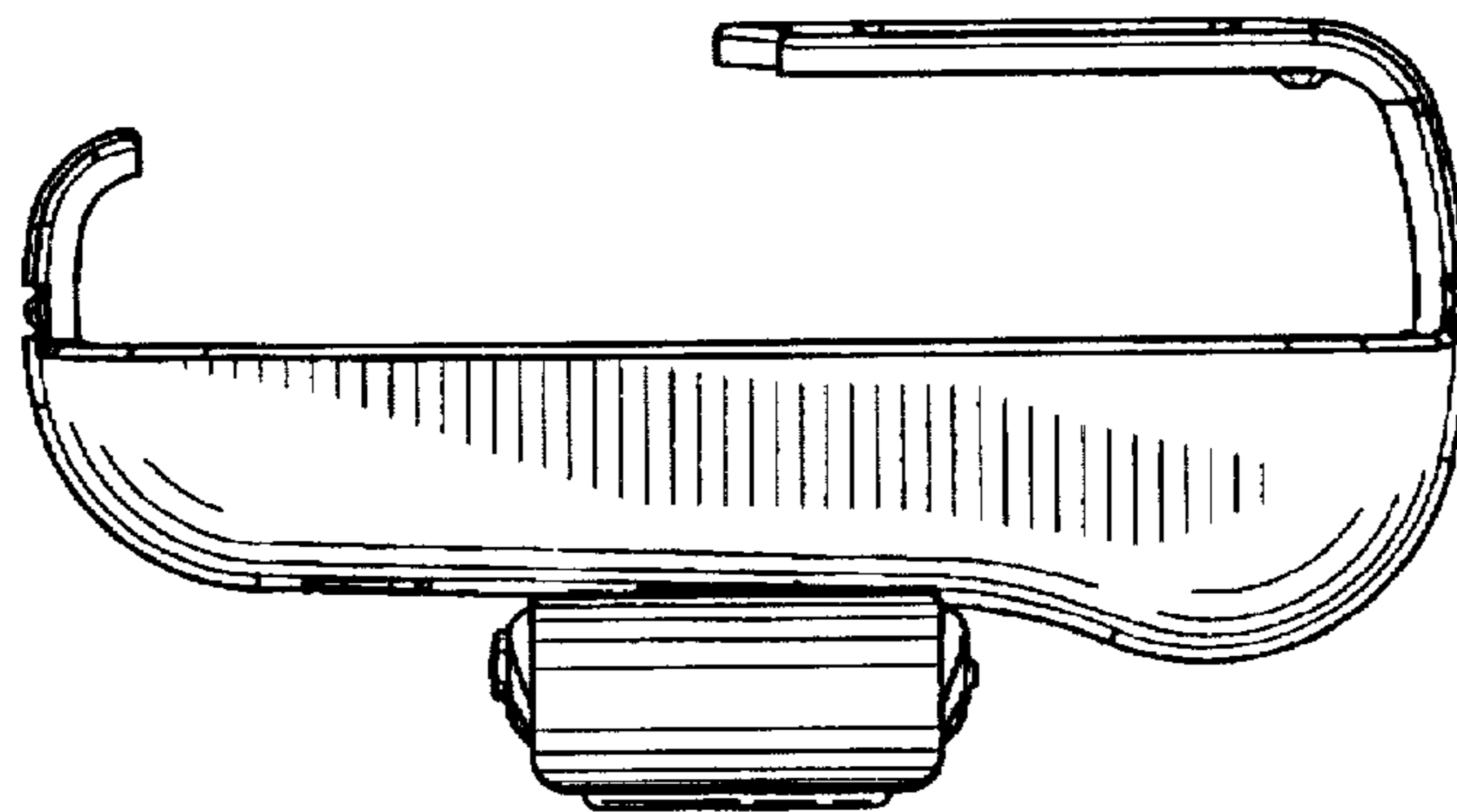


FIG. 4

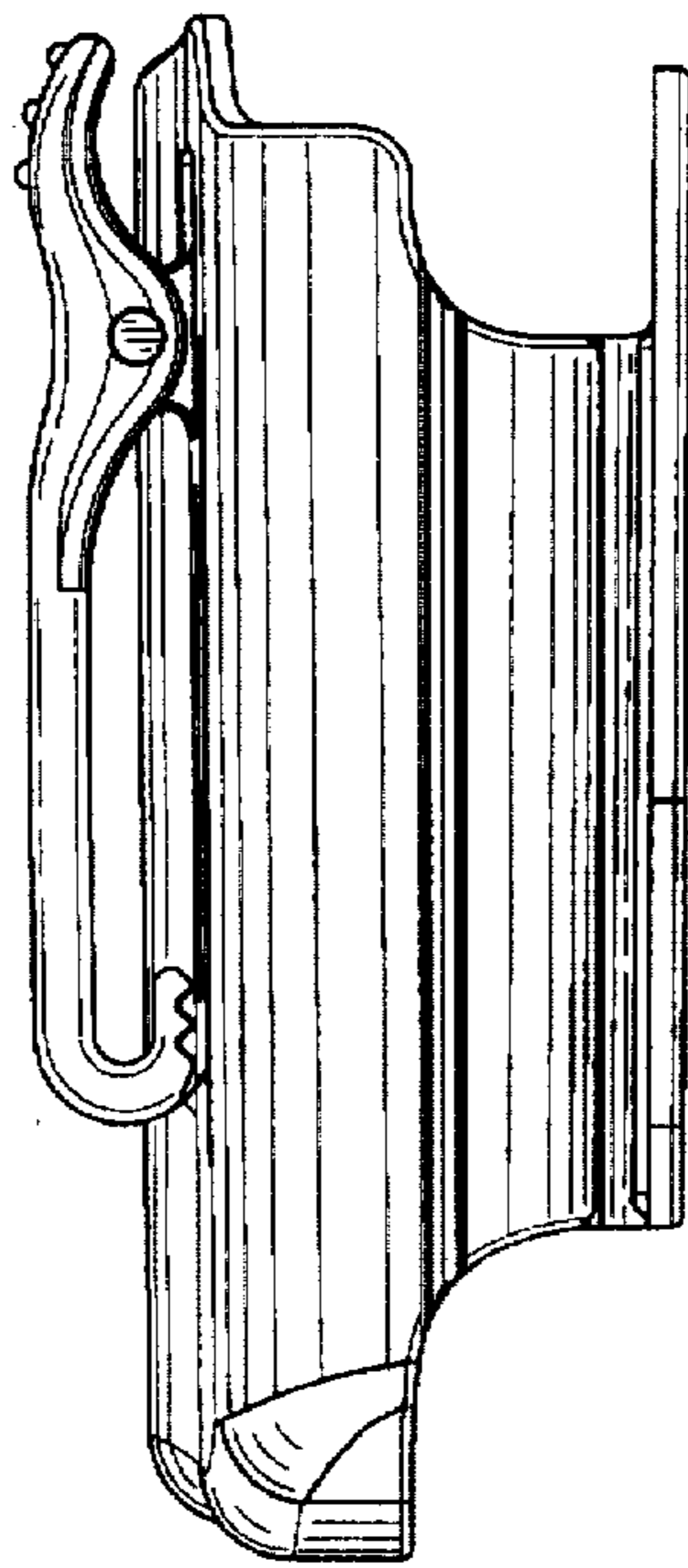


FIG. 5

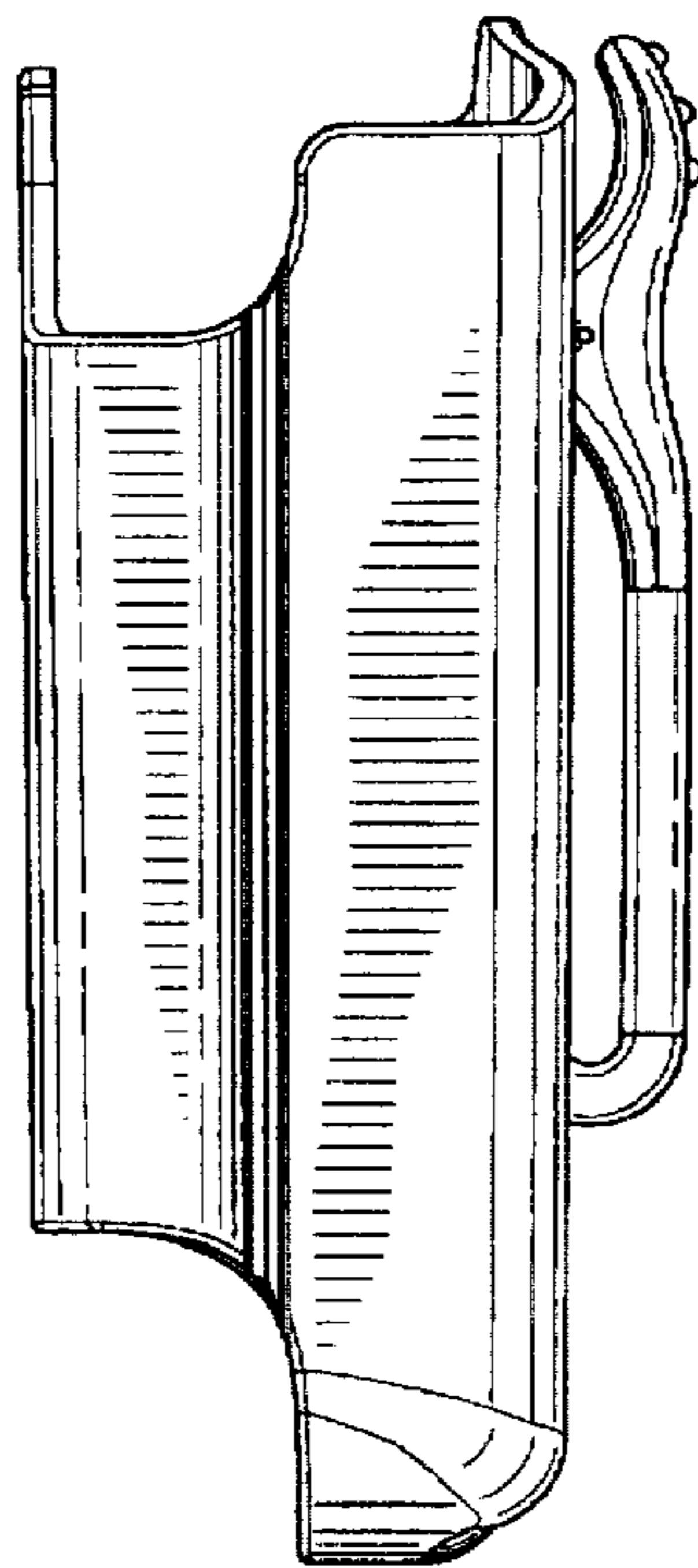


FIG. 6

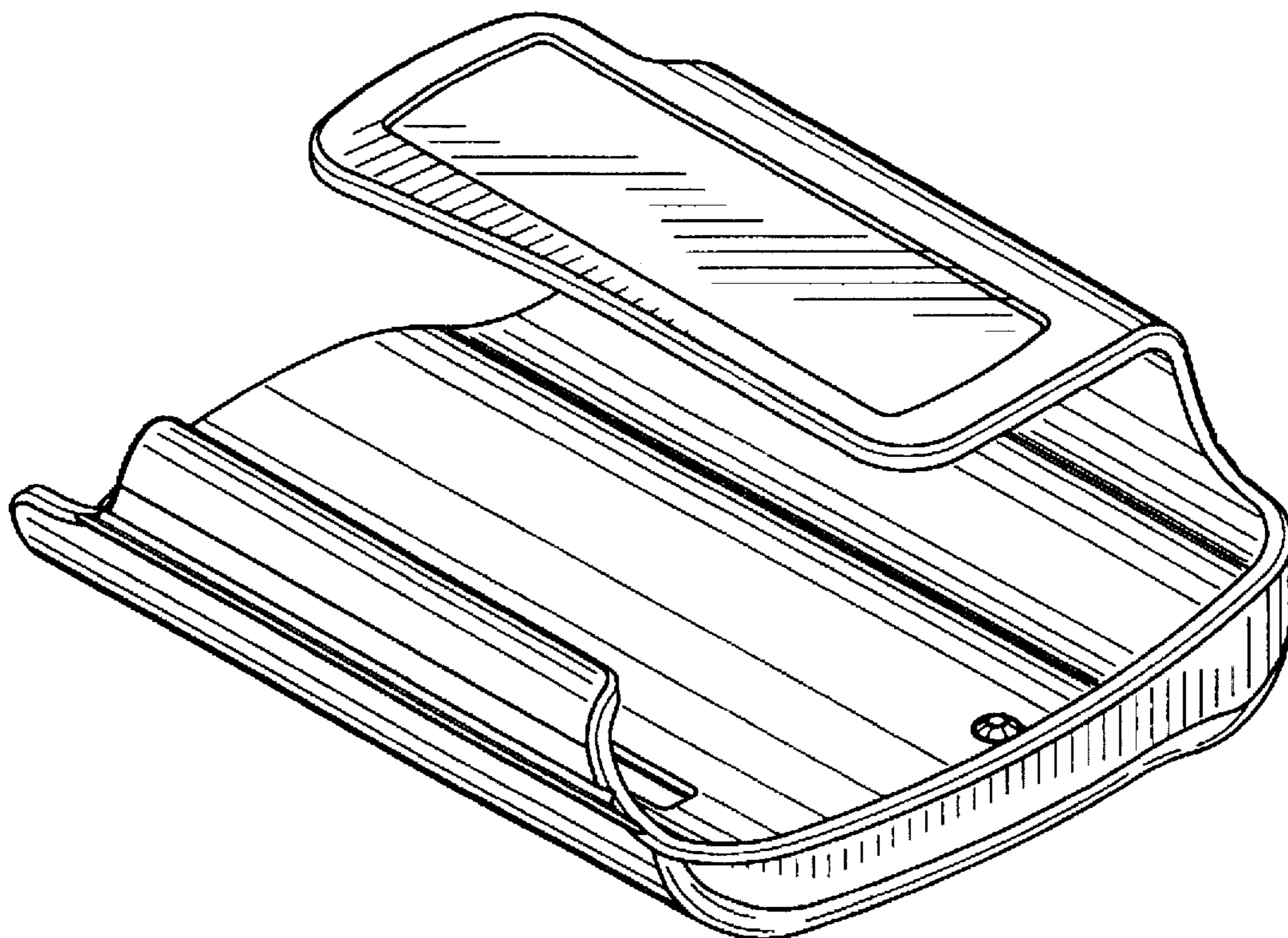


FIG. 7