

US00D390352S

United States Patent [19] Lane

[11] Patent Number: Des. 390,352

[45] Date of Patent: **Feb. 10, 1998

[54] **COMPUTER PACK**

[76] Inventor: **Jenai K. Lane**, 2790 Pine St., #3, San Francisco, Calif. 94115

[**] Term: **14 Years**

[21] Appl. No.: **57,971**

[22] Filed: **Aug. 5, 1996**

[51] LOC (6) Cl. **03-01**

[52] U.S. Cl. **D3/216**

[58] Field of Search D3/216, 217, 214, D3/201; 224/627, 637, 640, 645, 651-659, 575, 578, 153-156

[56] **References Cited**

U.S. PATENT DOCUMENTS

D. 249,188	8/1978	Stewart	D3/217
D. 249,189	8/1978	Stewart	D3/217
D. 315,825	4/1991	Hutton et al.	D3/217
D. 338,779	8/1993	Albert	D3/217
D. 359,847	7/1995	Callegari	D3/217
D. 365,926	1/1996	D'Angelo	D3/217
D. 374,979	10/1996	Robertson	D3/217
4,018,369	4/1977	Jaeger	D3/217 X
5,022,574	6/1991	Cesari	224/629 X
5,409,152	4/1995	Trevino	224/657 X

OTHER PUBLICATIONS

Roma Kids, vol. 72, Jan. 6, 1988, p. 169.

Primary Examiner—Prabhakar G. Deshmukh
Attorney, Agent, or Firm—Janis Biksa

[57] **CLAIM**

The ornamental design for a computer pack, as shown and described.

DESCRIPTION

FIG. 1 is a perspective view of a computer pack, showing my new design in a closed state, according to the invention;

FIG. 2 is a front view thereof;

FIG. 3 is a right side view thereof;

FIG. 4 is a back view thereof;

FIG. 5 is a left side view thereof;

FIG. 6 is a top view thereof;

FIG. 7 is a bottom view thereof;

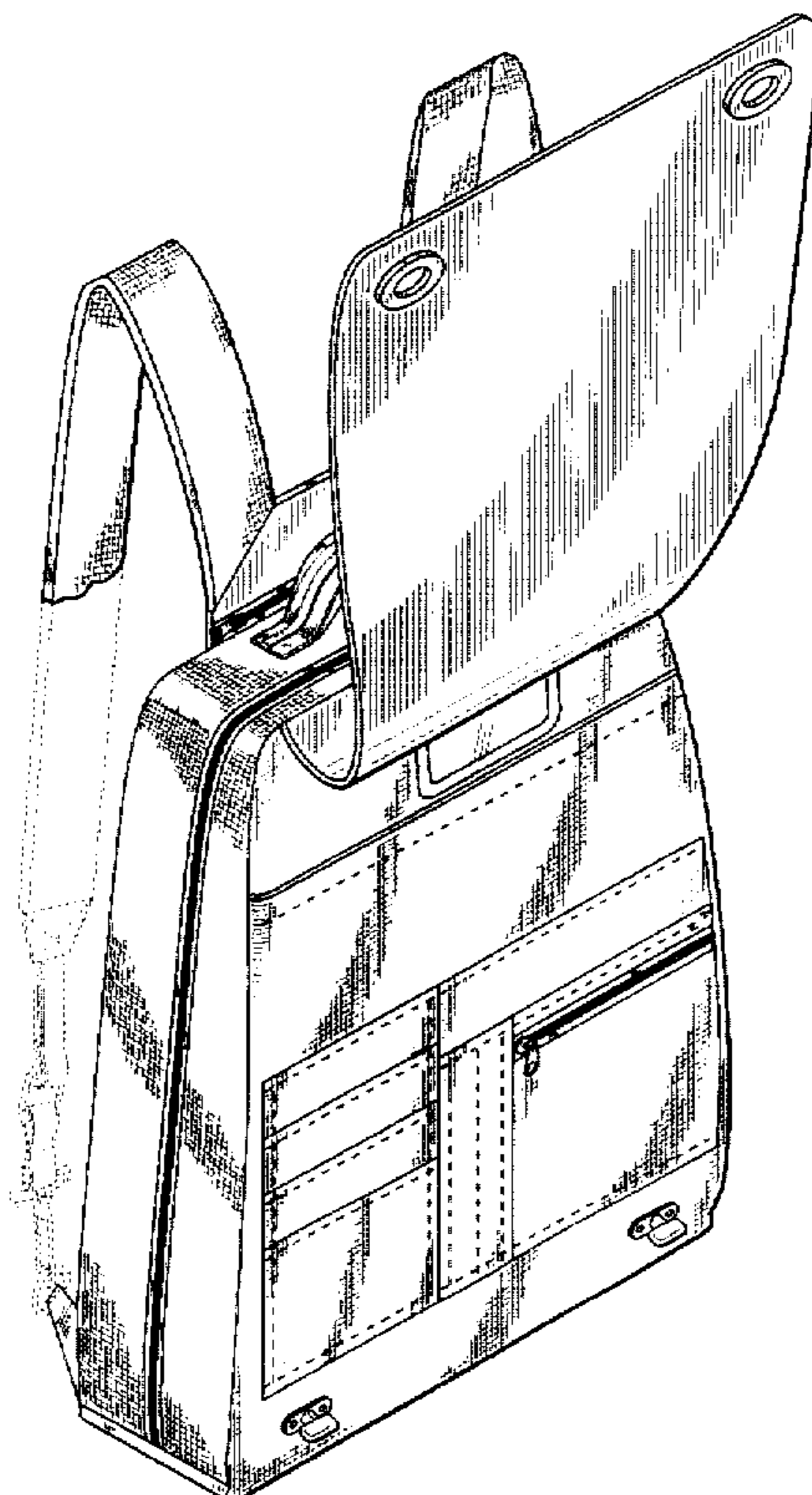
FIG. 8 is a perspective view thereof showing the front flap of the design in a first open state;

FIG. 9 shows a perspective view thereof in a second open state; and,

FIG. 10 shows a perspective view thereof in a second open state; showing an outline of a laptop computer in position to show the environment for the design.

The broken lines showing part of the support structure with attachment and the laptop computer are for illustrative purposes only and forms no part of the claim. Other broken lines represent Stitch lines.

1 Claim, 8 Drawing Sheets



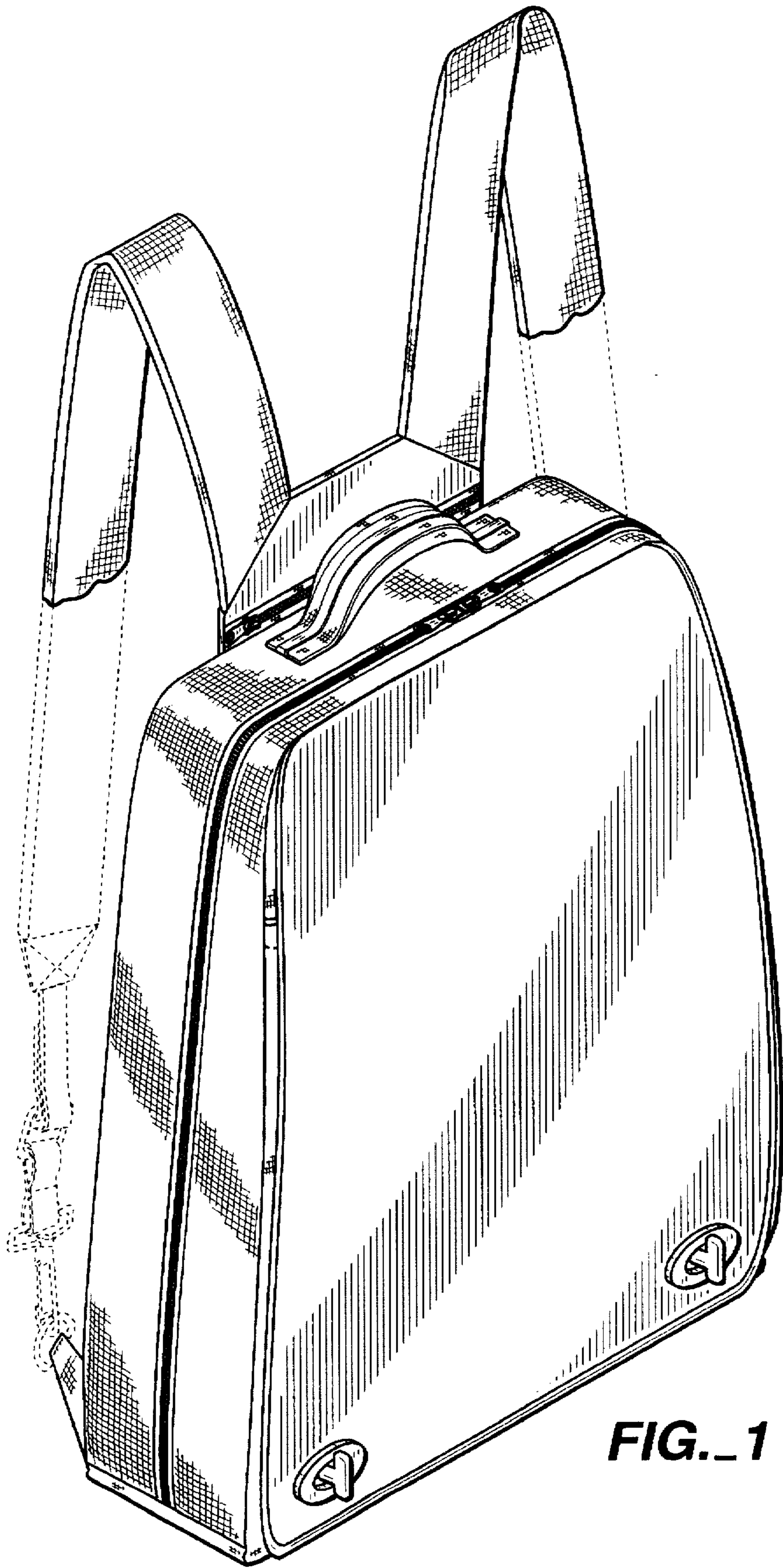


FIG. 1

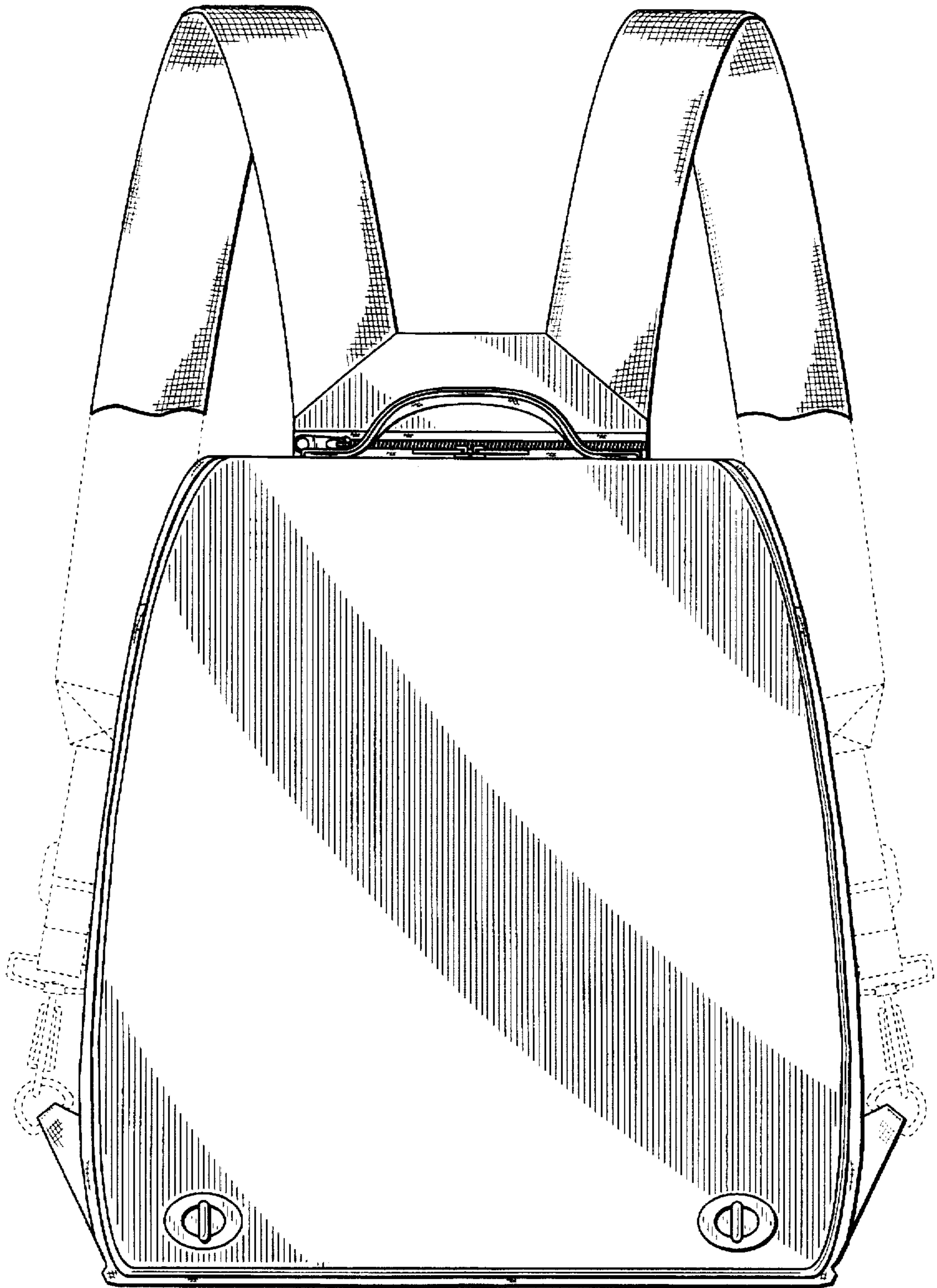


FIG. 2

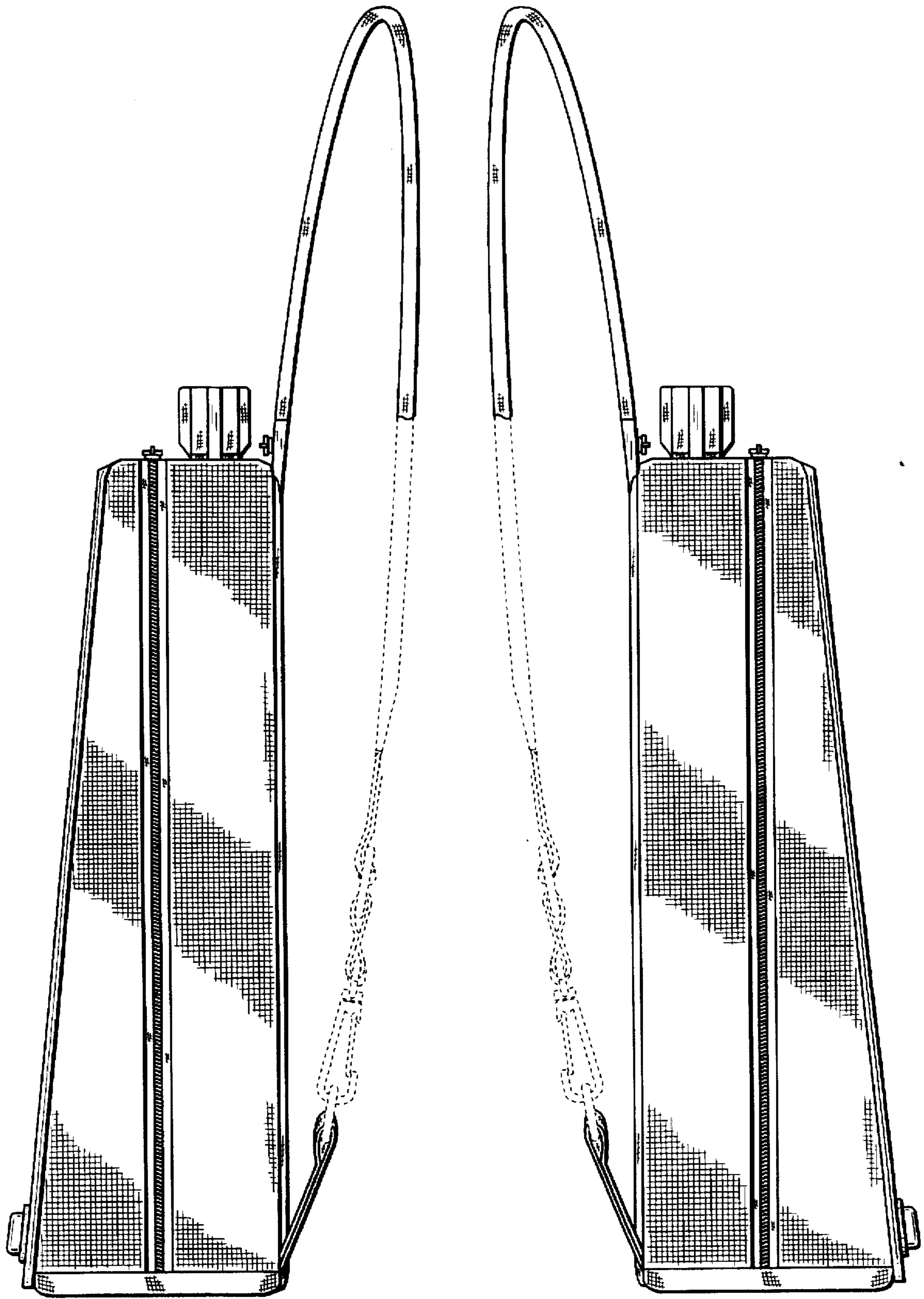


FIG._3

FIG._5

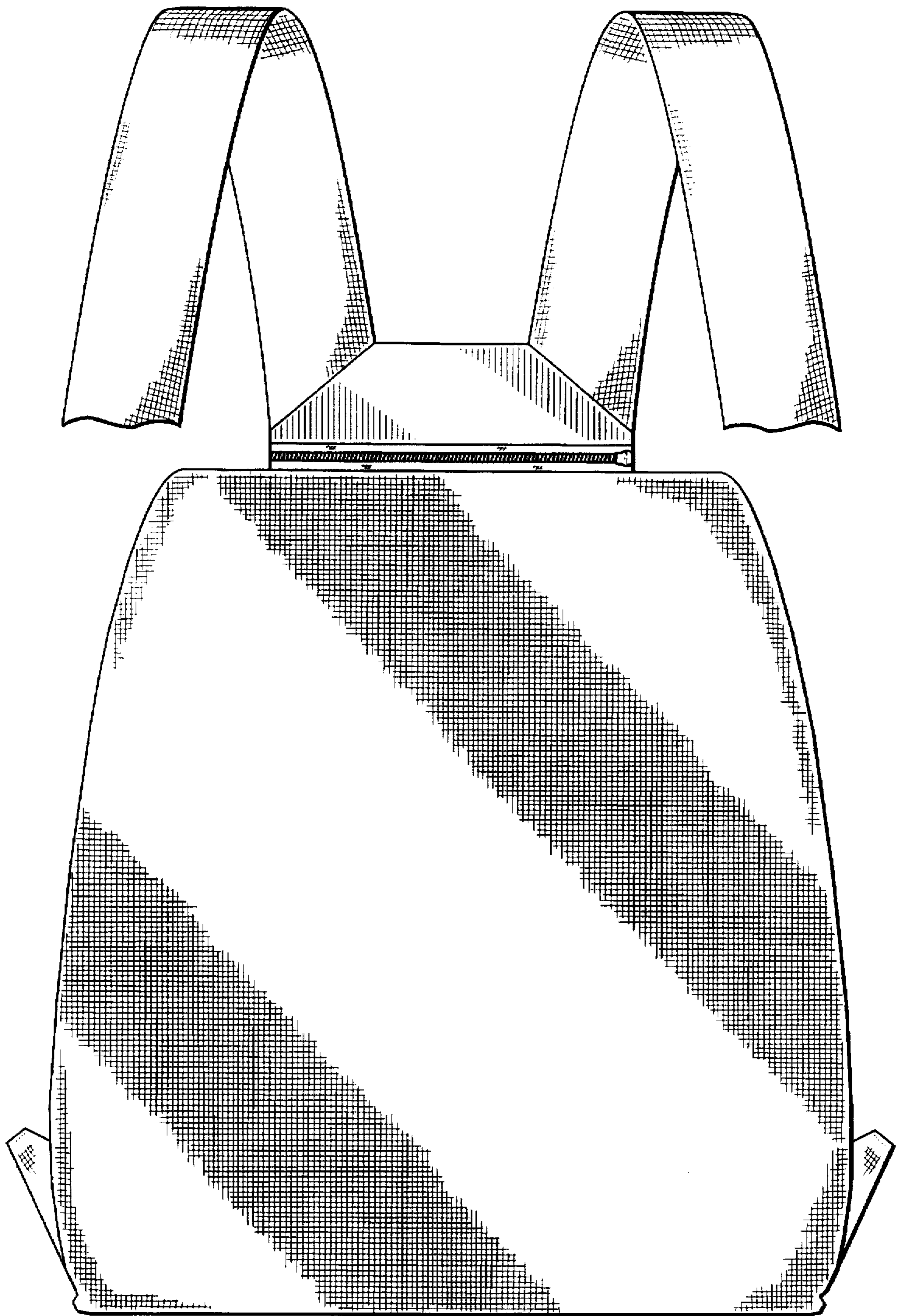


FIG. 4

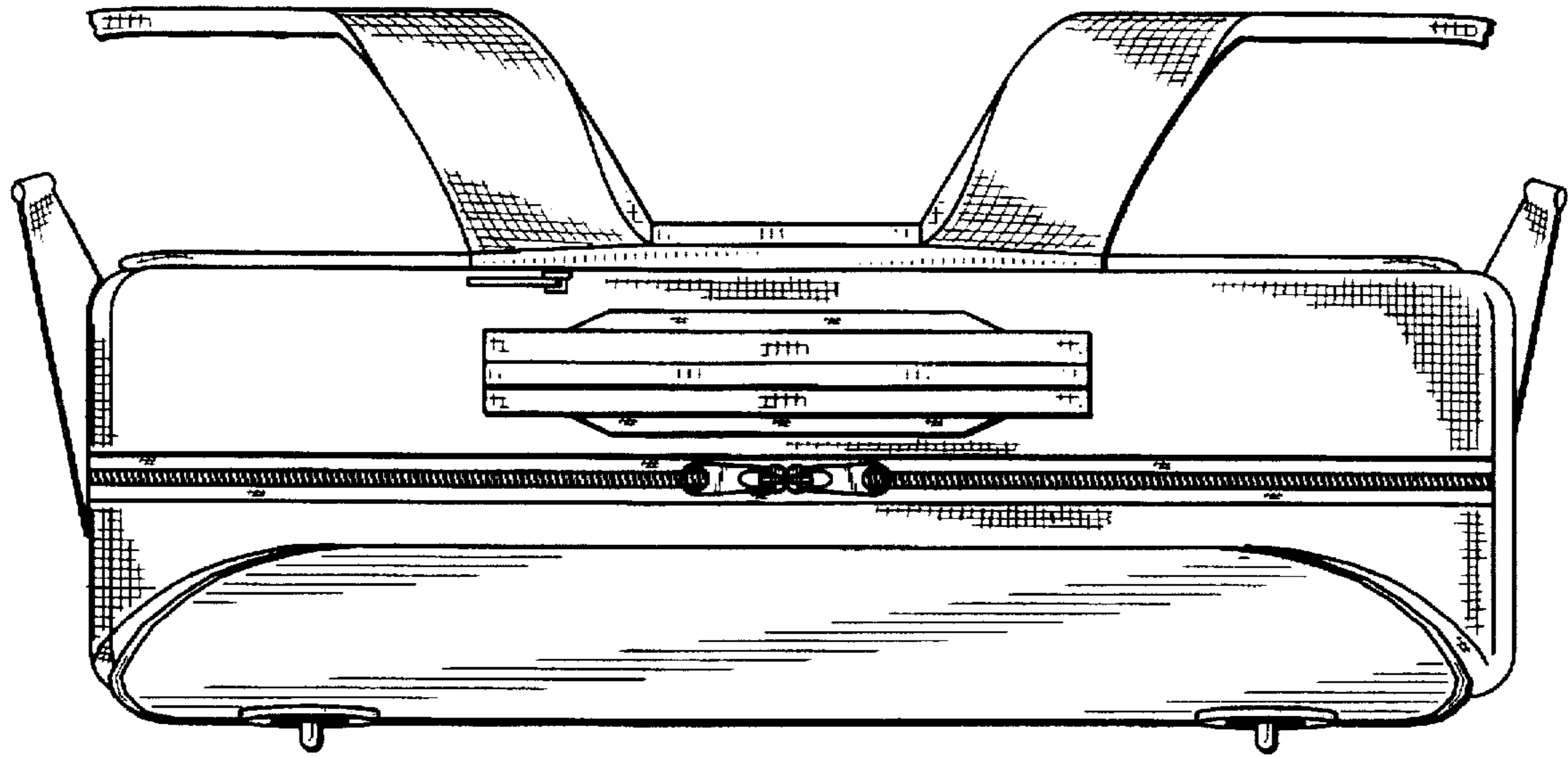


FIG._6

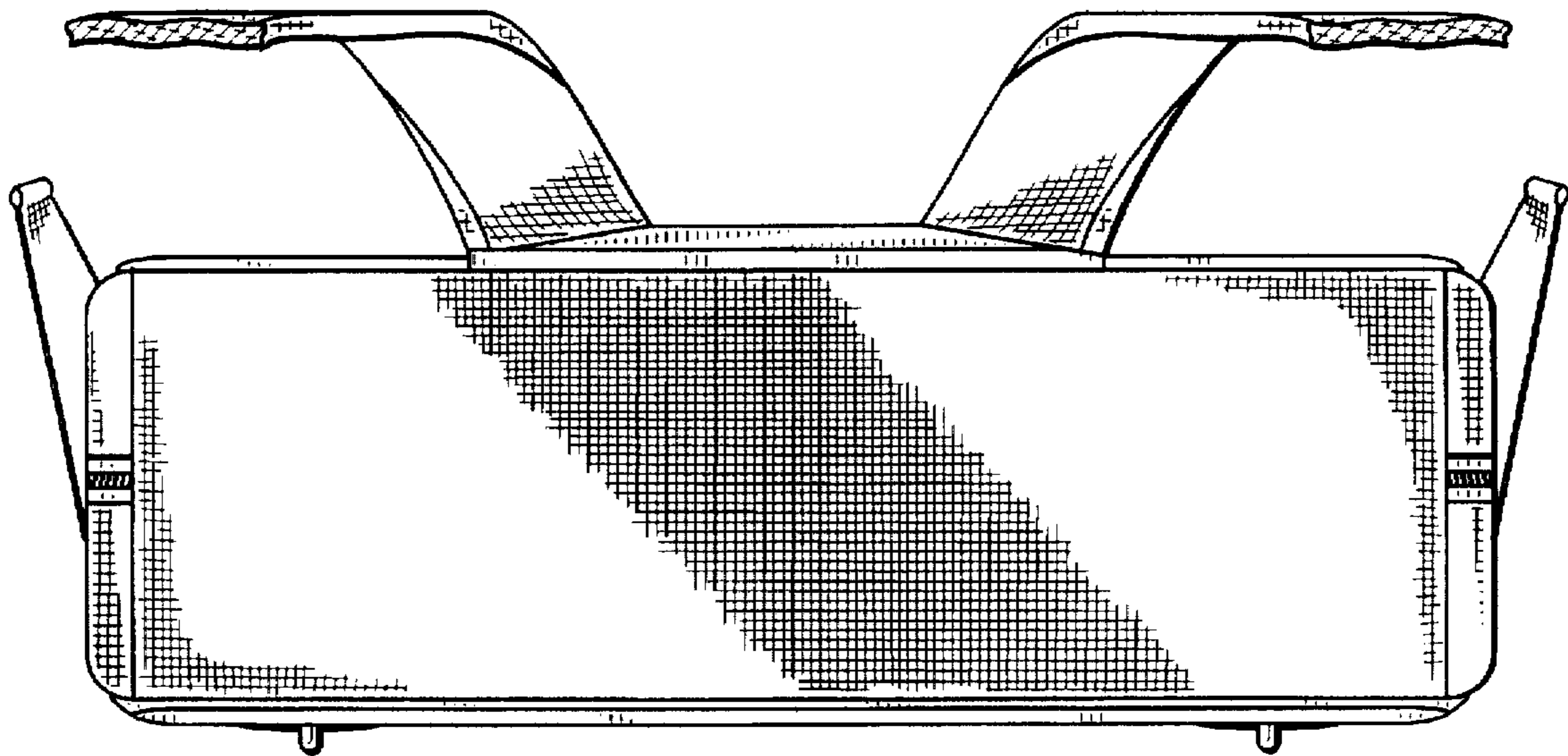


FIG._7

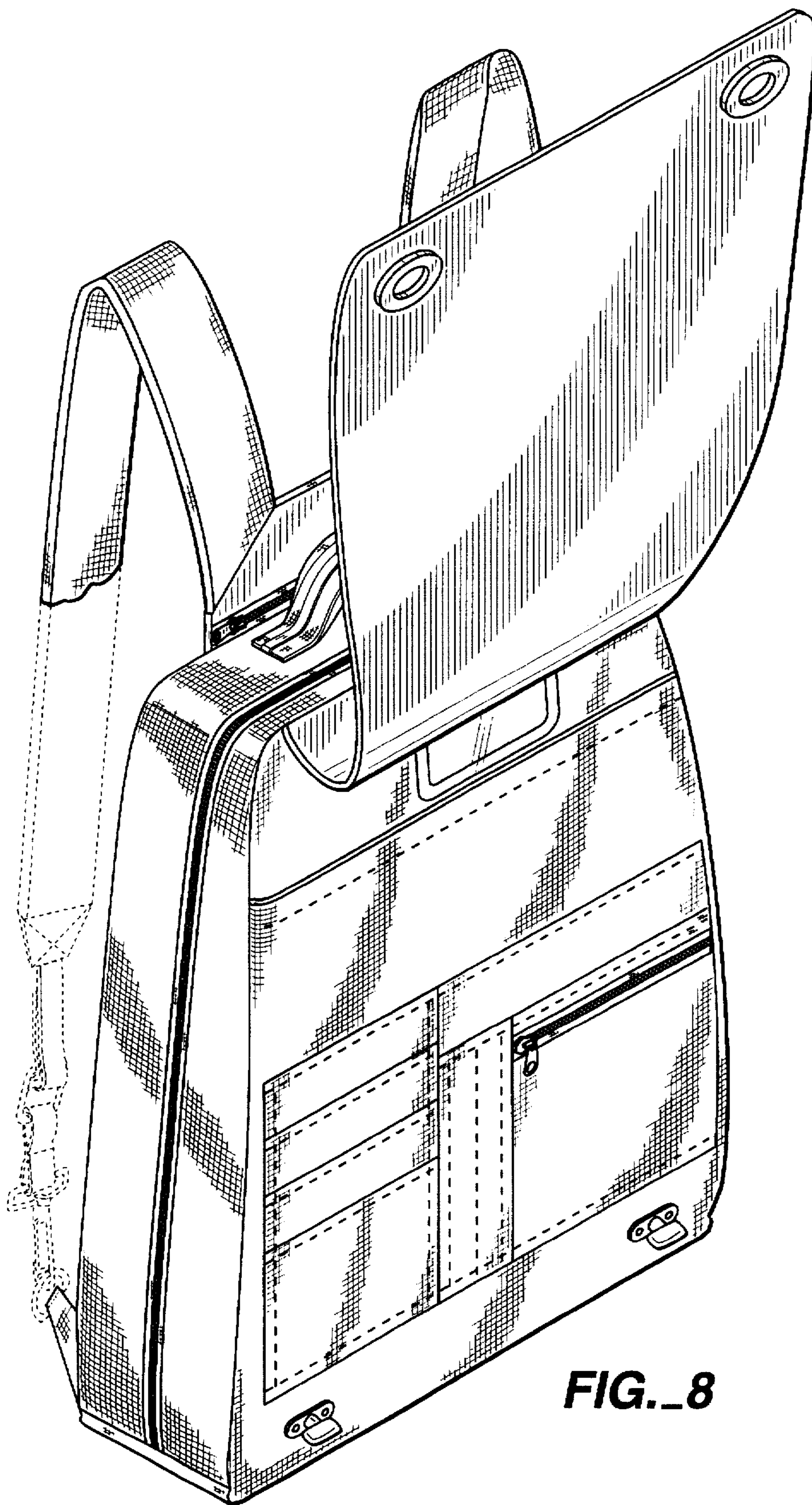
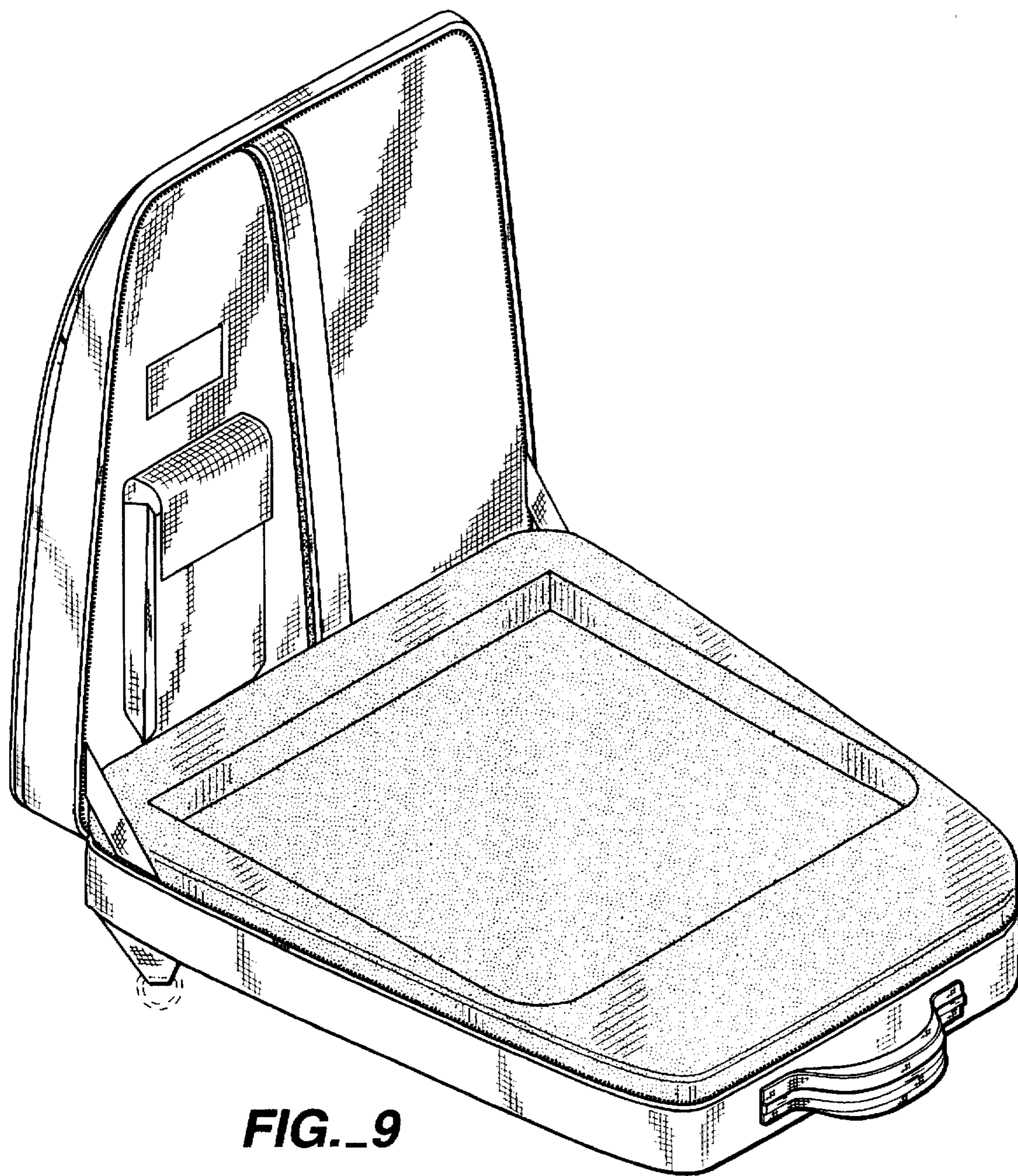


FIG. 8



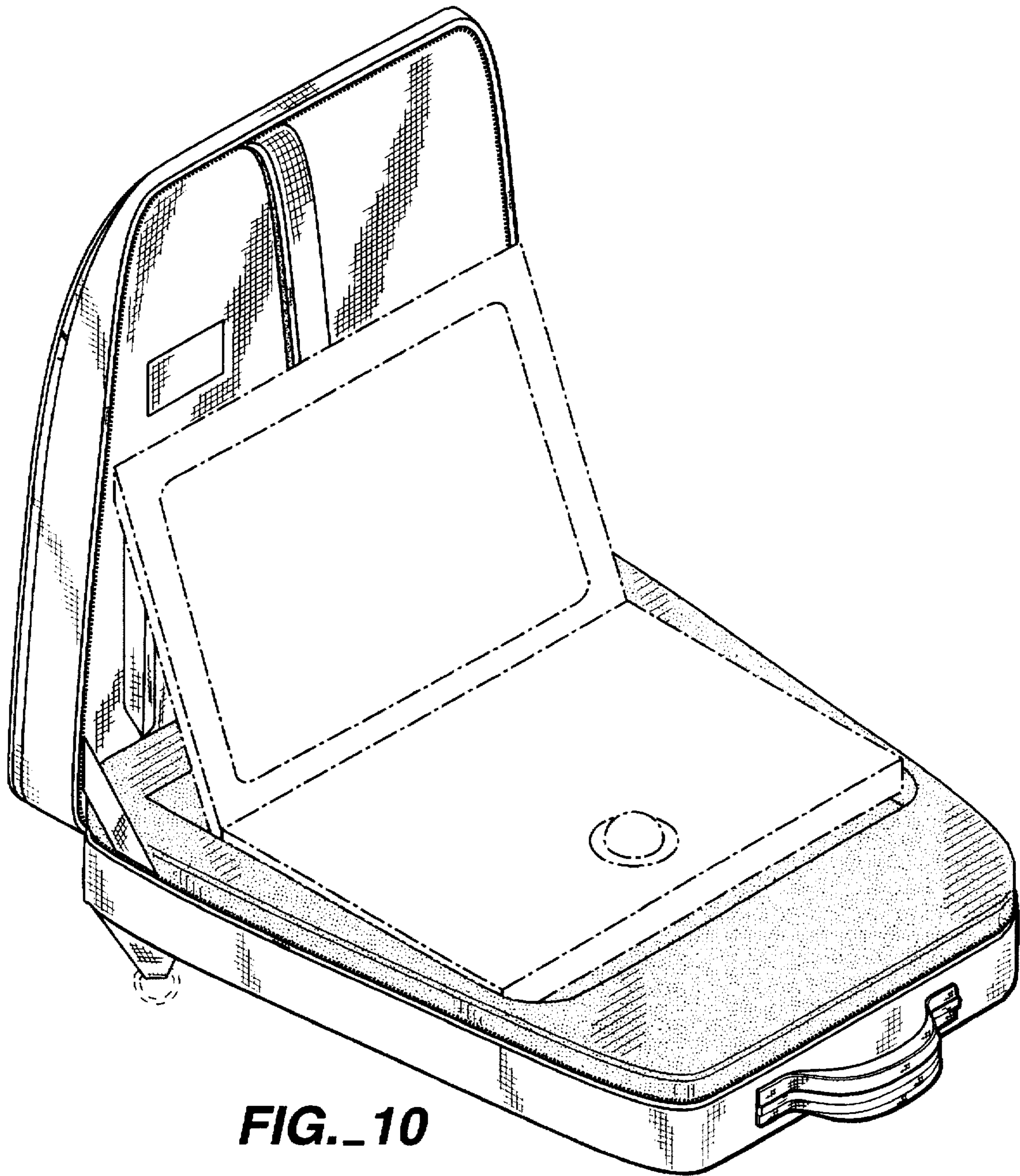


FIG. 10