



US00D390339S

United States Patent [19]
Dipietro

[11] **Patent Number: Des. 390,339**
[45] **Date of Patent: **Feb. 10, 1998**

- [54] **TROPICS TRAVEL SHIRT**
- [76] Inventor: **Stephen B. Dipietro**, 6345 SW. 34th St., Miami, Fla. 33155
- [**] Term: **14 Years**
- [21] Appl. No.: **42,781**
- [22] Filed: **Aug. 17, 1995**
- [51] LOC (6) Cl. **02-02**
- [52] U.S. Cl. **D2/840**
- [58] **Field of Search** D2/724, 717, 828, D2/829, 830, 831, 836, 839, 840, 841, 847, 848, 859, 849, 845, 846; 2/115, 118, 119, 122, 271, 247, 250

2,375,779 5/1945 Freedman D2/849 X
 2,467,117 4/1949 Dukes, Jr. D2/841 X

Primary Examiner—Doris V. Coles
Assistant Examiner—Catherine R. Oliver
Attorney, Agent, or Firm—William F. Hamrock

[57] **CLAIM**

The ornamental design for a tropics travel shirt, as shown and described.

DESCRIPTION

FIG. 1 is a front elevational view of a tropics travel shirt showing my new design;
 FIG. 2 is a rear elevational view thereof showing vents at the sleeves, sidevents with snaps and small loop at center of horizontal seam;
 FIG. 3 is a left side elevational view thereof;
 FIG. 4 is a right side elevational view thereof;
 FIG. 5 is a top plan view thereof;
 FIG. 6 is a bottom plan view thereof; and,
 FIG. 7 is a front perspective view thereof showing the pockets with snaps and one side vent with snap.

- [56] **References Cited**
- U.S. PATENT DOCUMENTS**
- D. 170,723 10/1953 Secosky D2/849
- D. 233,866 12/1974 Naumovski D2/849
- D. 281,732 12/1985 Conklin D2/849
- D. 346,892 5/1994 Crouch D2/849

1 Claim, 4 Drawing Sheets

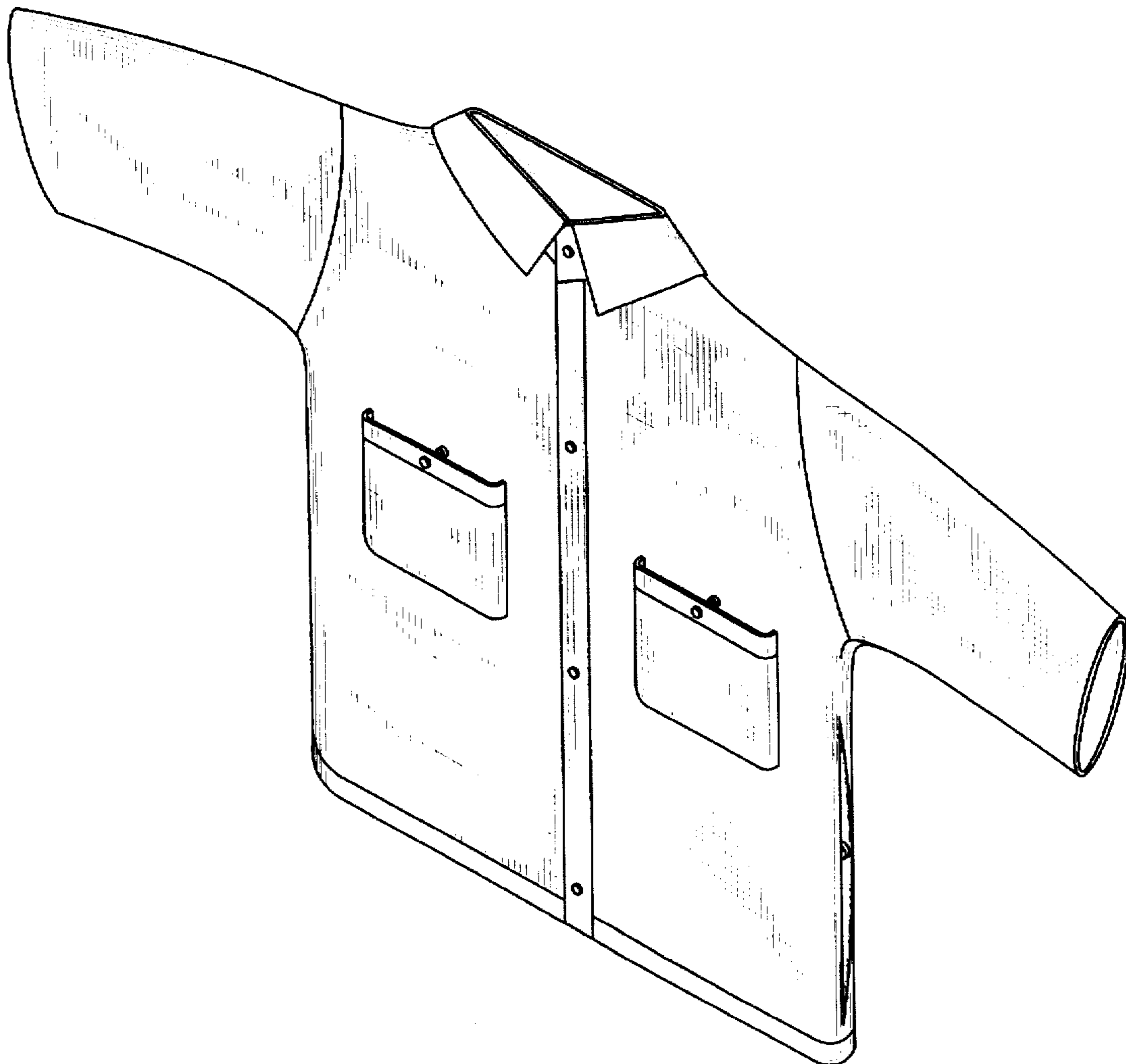


FIG. 1

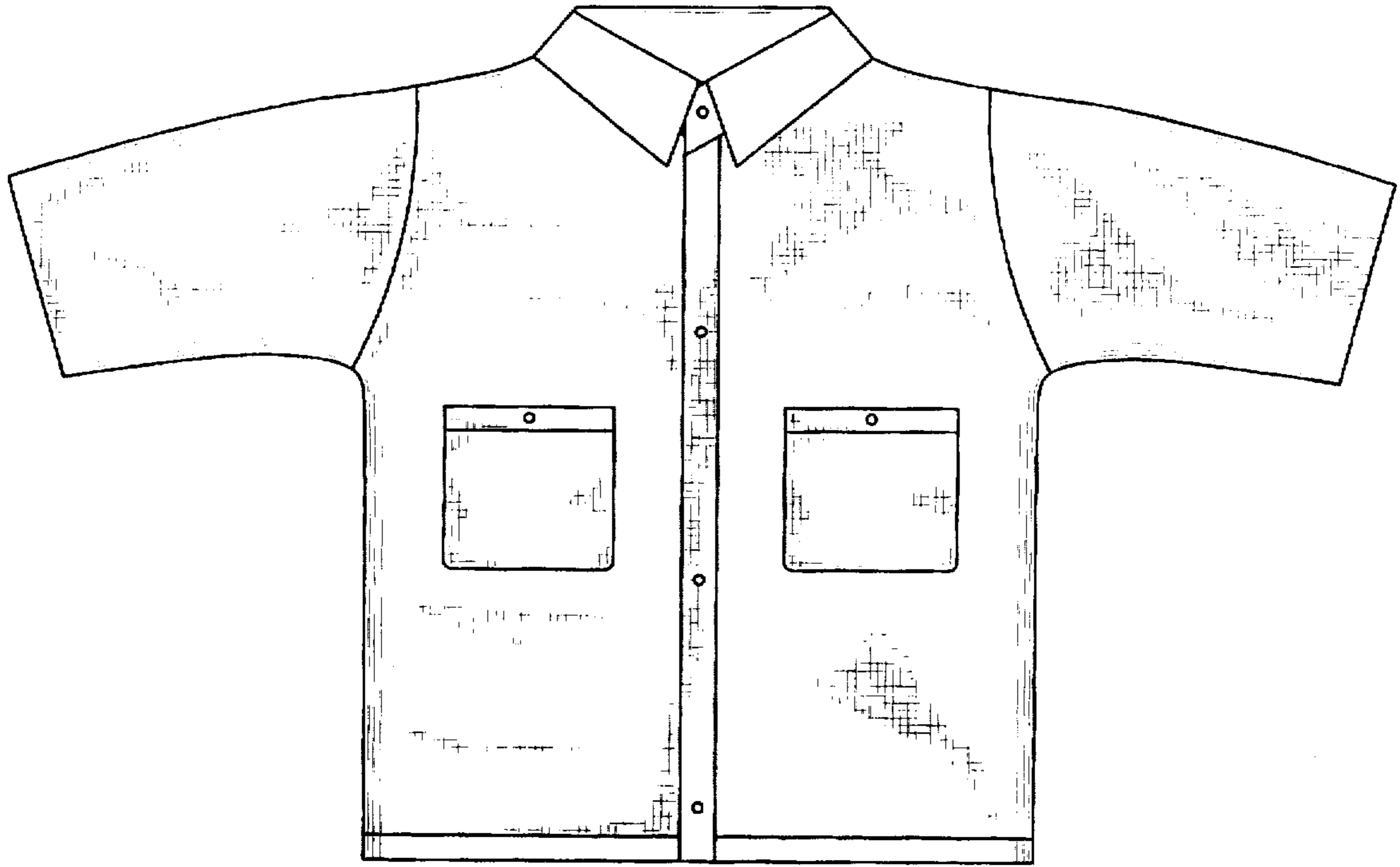


FIG. 2

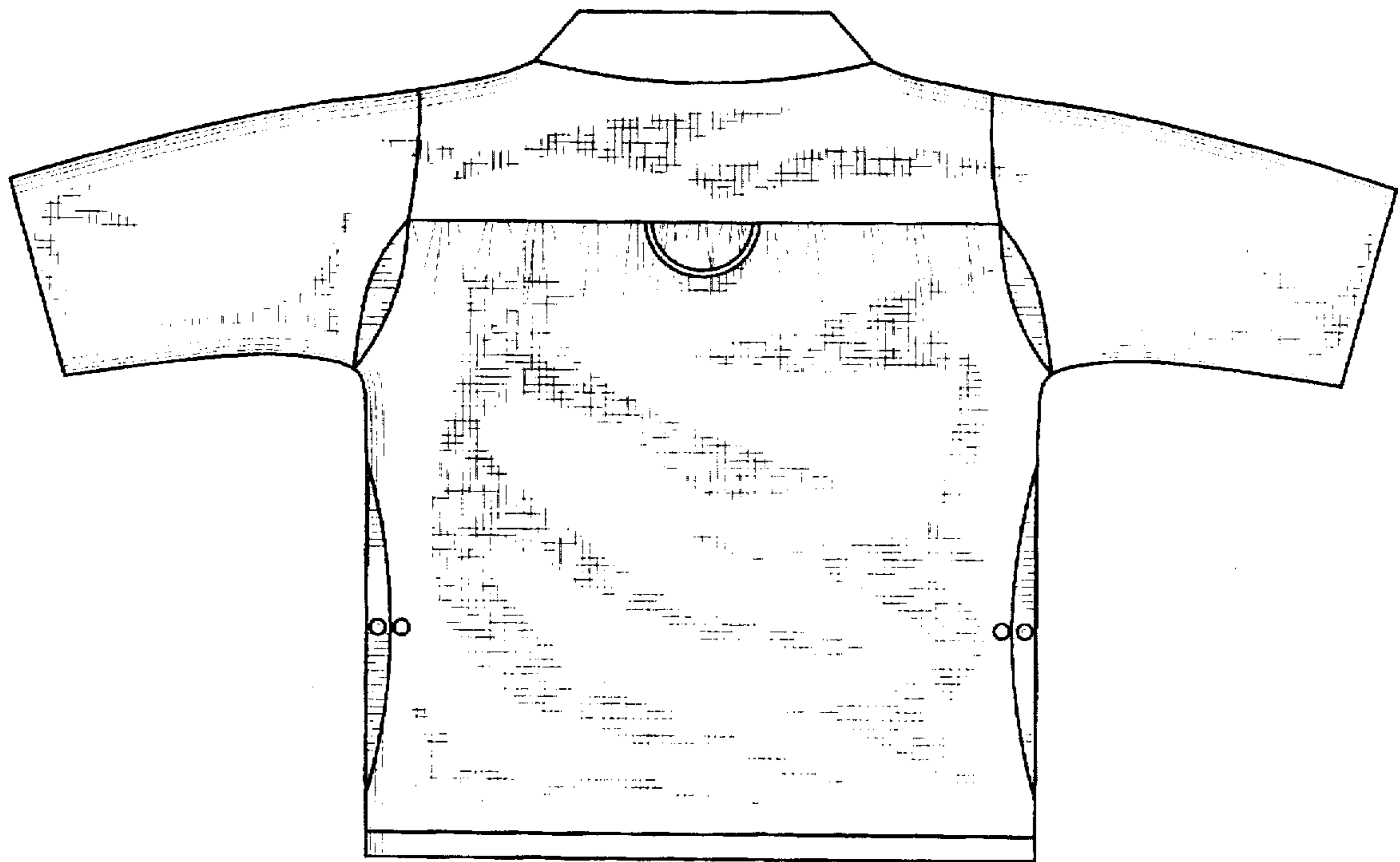


FIG. 3

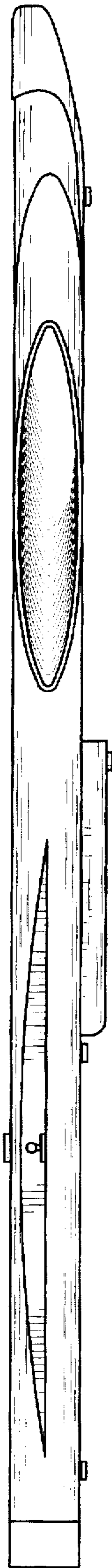


FIG. 4

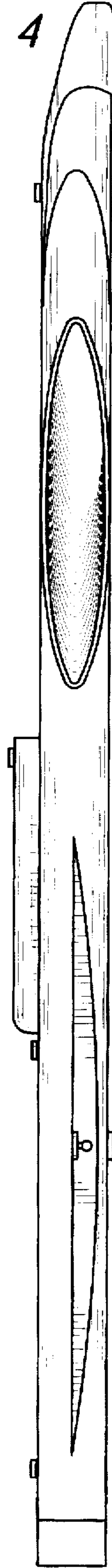


FIG. 5

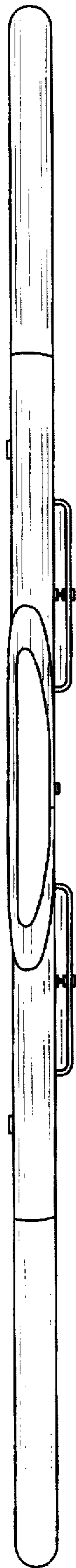


FIG. 6



FIG. 7

