



US00D390334S

**United States Patent** [19]  
**Patterson**

[11] **Patent Number: Des. 390,334**  
[45] **Date of Patent: \*\*Feb. 3, 1998**

[54] **CONTAINER**

[76] **Inventor: Judson J. Patterson, 1211 Wellstone Cir., Apex, N.C. 27502**

[\*\*] **Term: 14 Years**

[21] **Appl. No.: 61,826**

[22] **Filed: Oct. 31, 1996**

[51] **LOC (6) Cl. .... 99-00**

[52] **U.S. Cl. .... D99/37; D19/82; D9/335; D9/329; D7/515; D7/536; D7/518**

[58] **Field of Search .... D7/536, 302, 514, D7/303, 515, 518, 521, 523, 509, 319, 317; D9/335, 329, 336; D99/34, 37; D19/82**

[56] **References Cited**

**U.S. PATENT DOCUMENTS**

D. 11,358	8/1879	Kyser et al. ....	D99/37
D. 73,570	10/1927	Huret .....	D9/335
D. 128,242	7/1941	Dolphin .....	D7/536
D. 183,310	8/1958	Hack .....	D9/329 X
D. 249,438	9/1978	Meier et al. ....	D7/515 X
D. 281,847	12/1985	Laslo .....	D7/518
D. 291,280	8/1987	Albright .....	D9/329 X
D. 343,329	1/1994	Ancona .....	D7/302
D. 368,661	4/1996	Hiro et al. ....	D9/336 X
D. 378,263	3/1997	Lage .....	D7/515 X

**OTHER PUBLICATIONS**

beverage glass(elegance),Libbey Premier catalog for 1973(top).  
teacup (bottom), Tableware International, Jul. 1985, p. 9.

*Primary Examiner*—M. N. Pandozzi  
*Attorney, Agent, or Firm*—Burns, Doane, Swecker & Mathis, L.L.P.

**CLAIM**

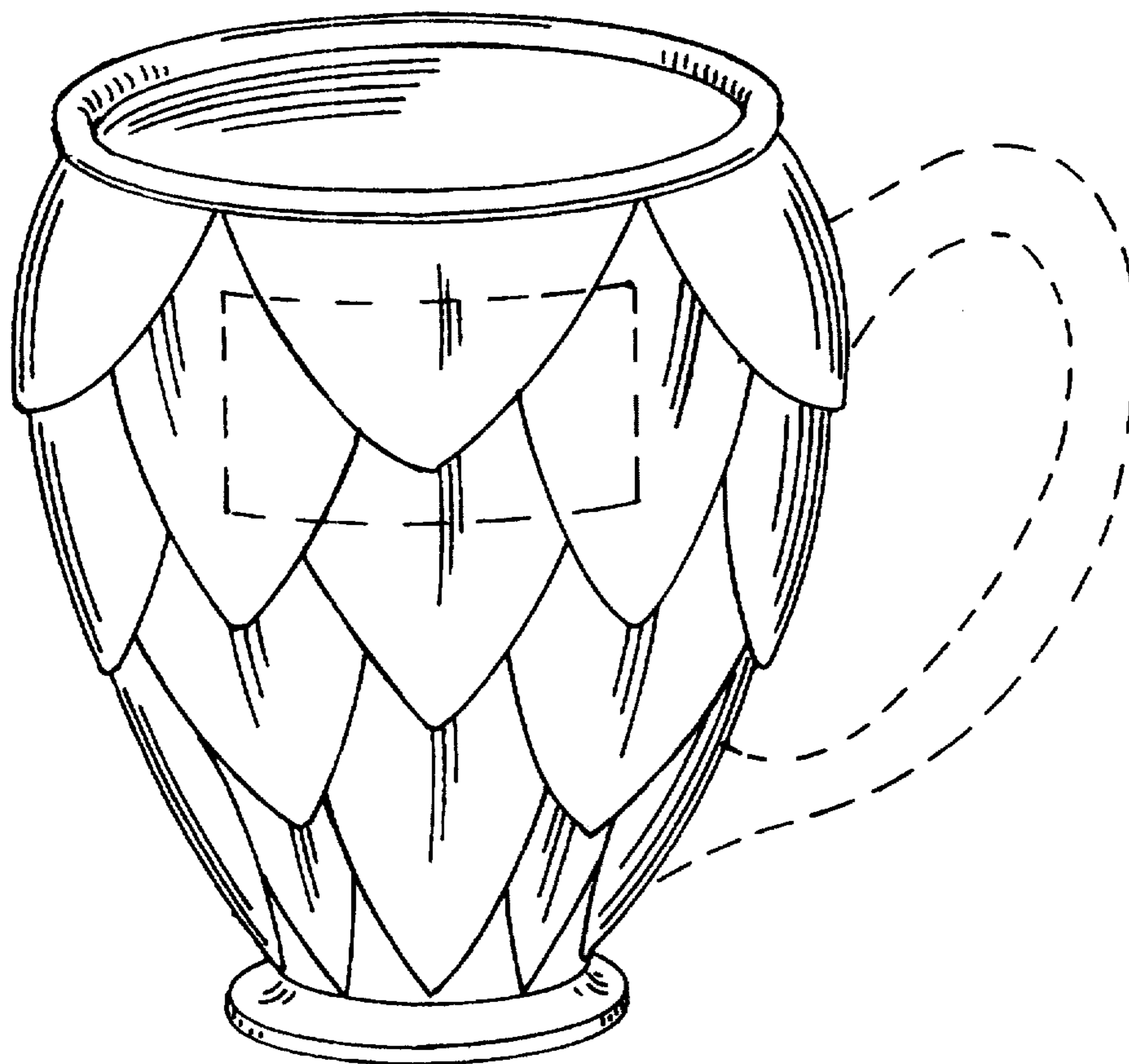
[57] The ornamental design for a container, as shown and described.

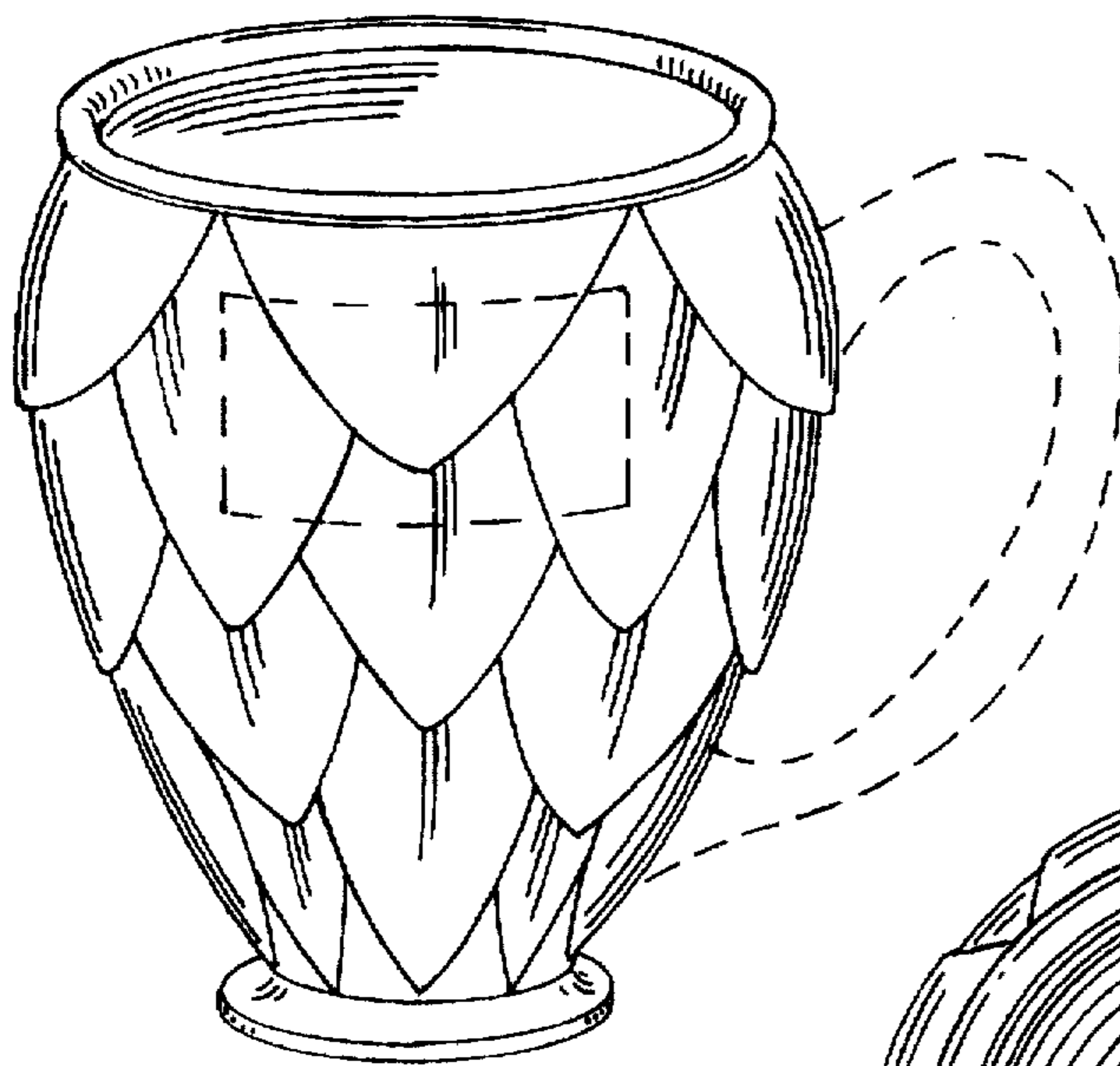
**DESCRIPTION**

FIG. 1 is a perspective view of the ornamental design of a container;  
FIG. 2 is a top view thereof;  
FIG. 3 is a bottom view thereof;  
FIG. 4 is a left side view thereof;  
FIG. 5 is a right side view thereof;  
FIG. 6 is a front view thereof; and,  
FIG. 7 is a rear view thereof.

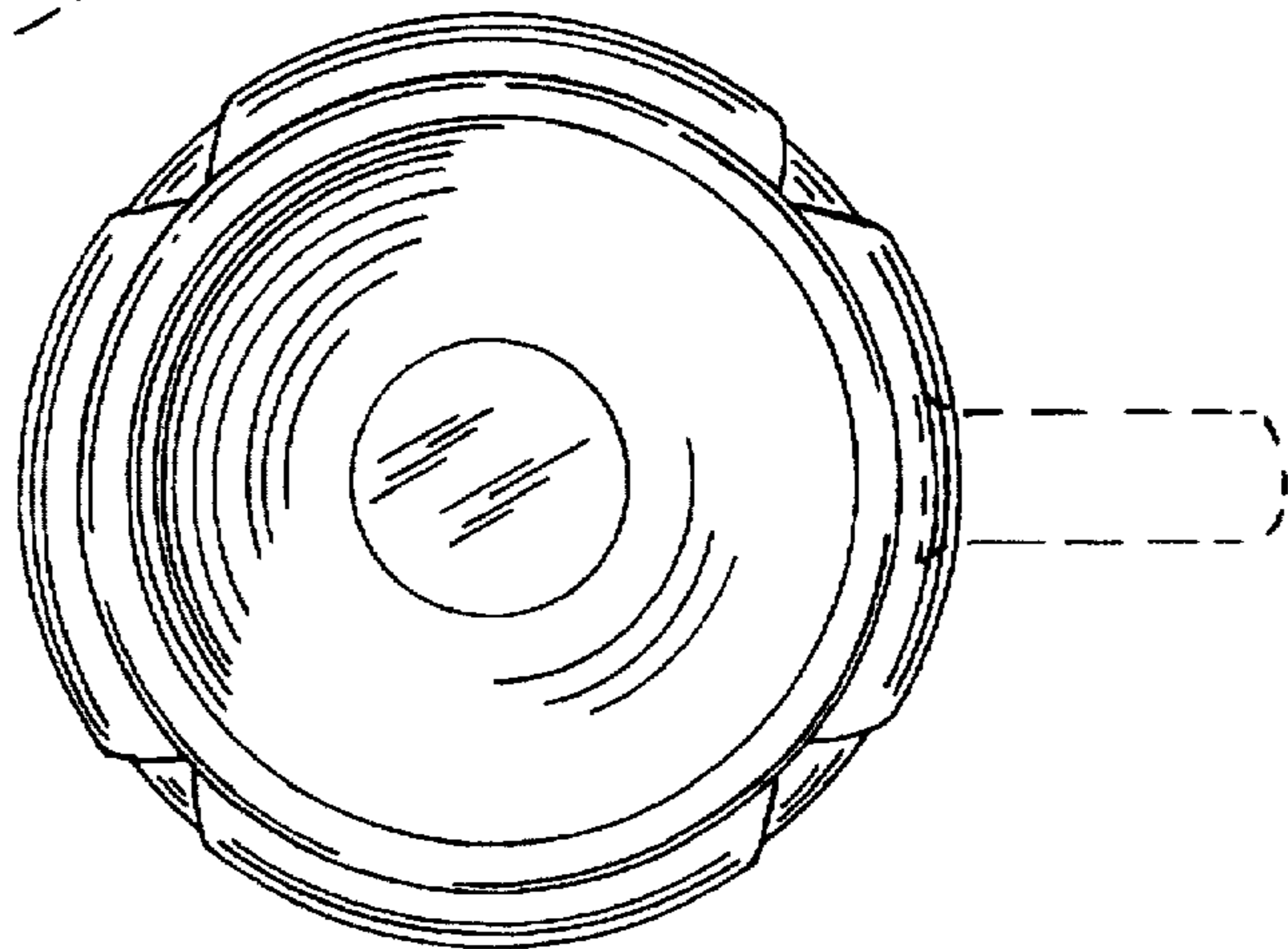
The container is usable as a receptacle for gratuities in the form of currency or coins and is generally meant to have the shape of a hop, as used in brewing of beer.  
The broken line showing of a handle in FIGS. 1-3, 6 and 7 is for illustrative purposes only and forms no part of the claimed design.

**1 Claim, 2 Drawing Sheets**

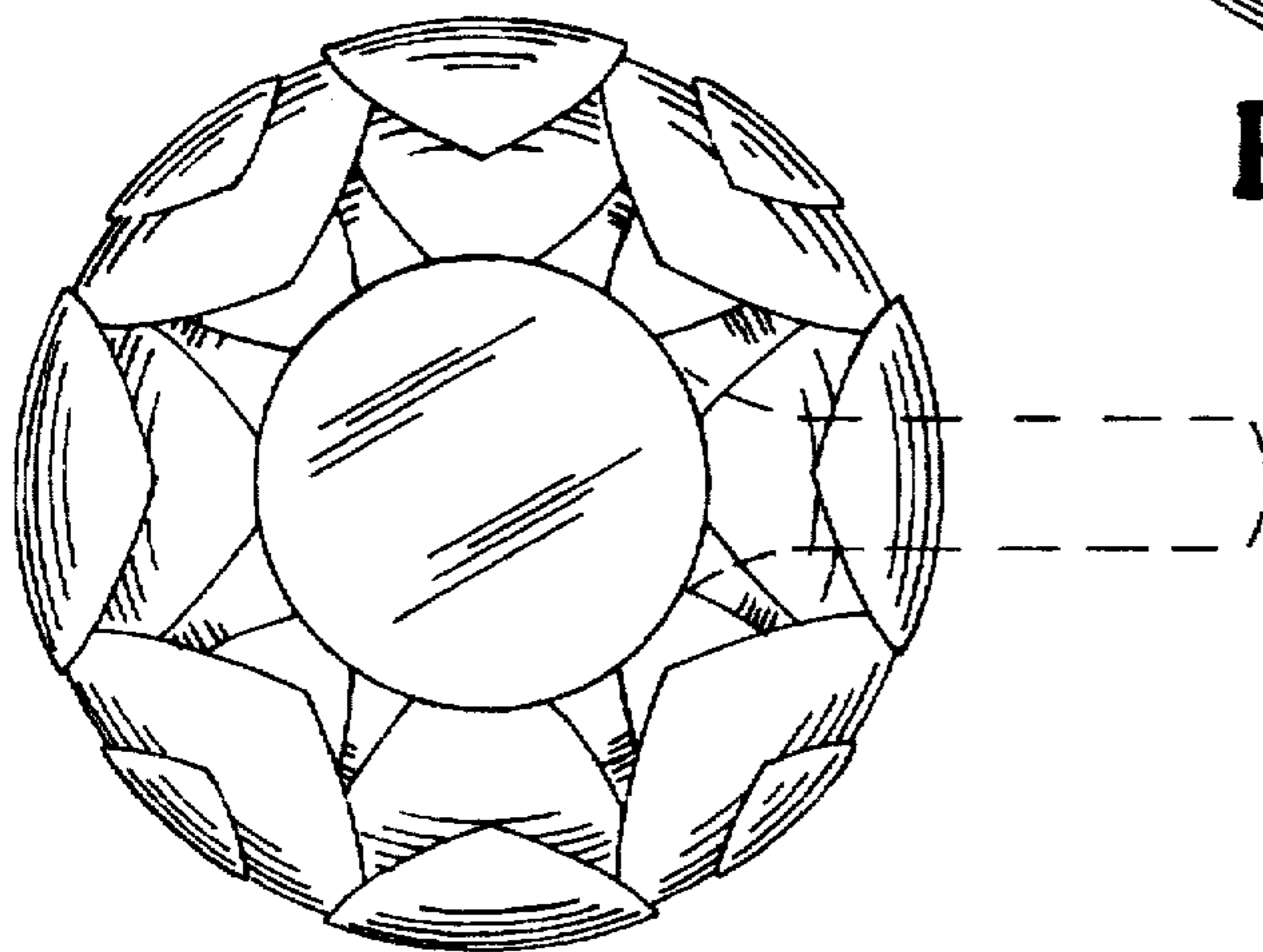




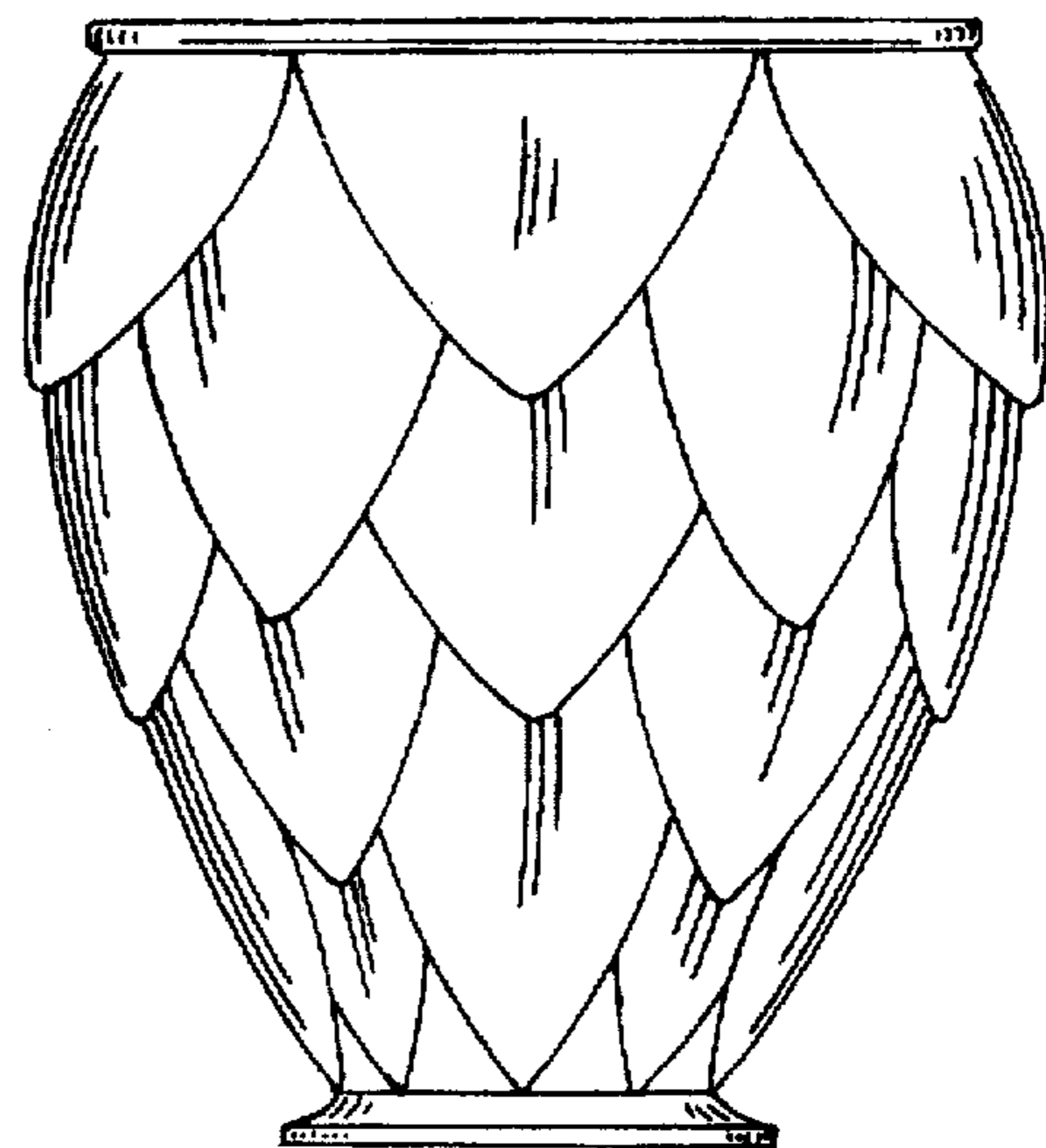
**FIG. 1**



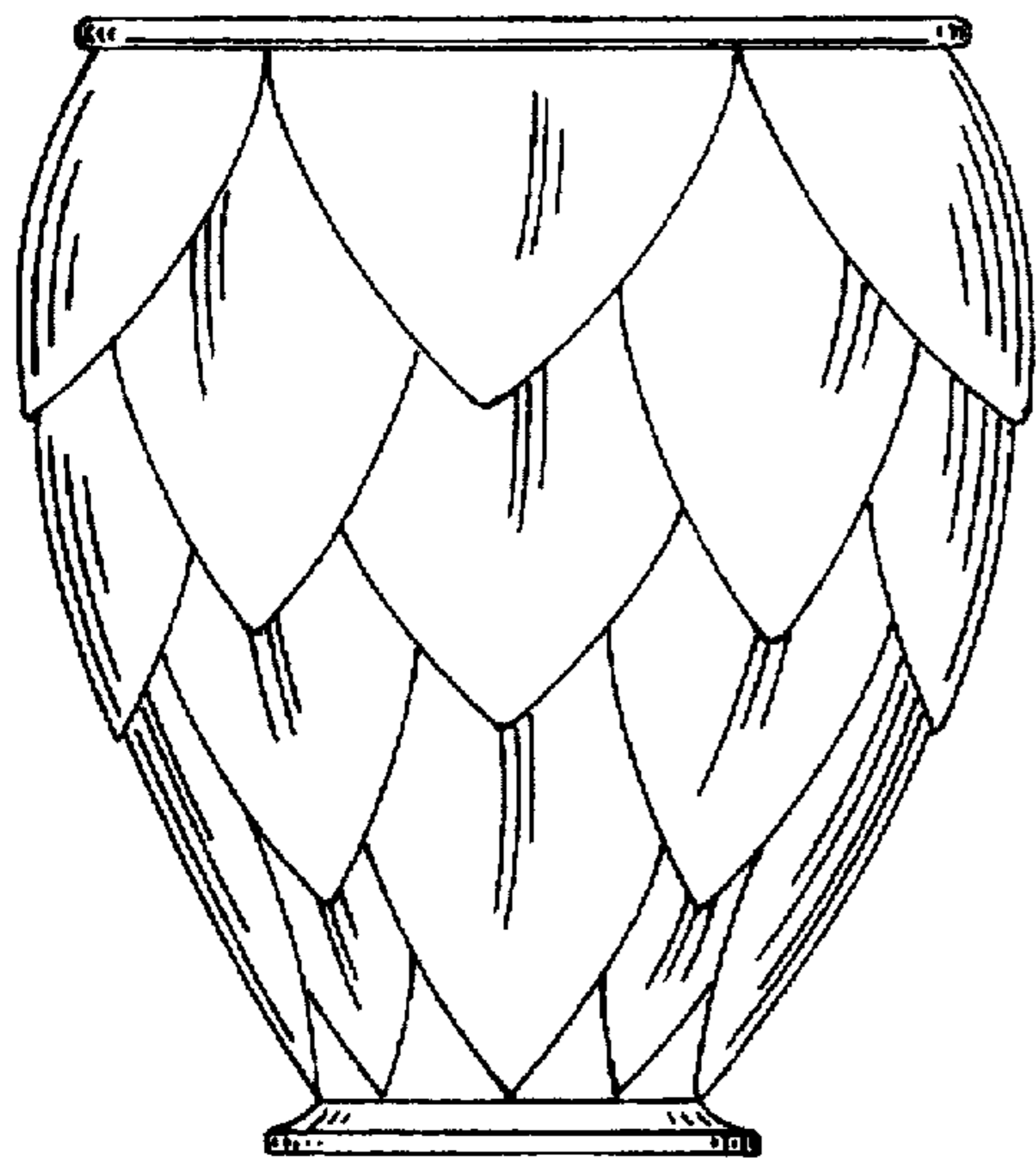
**FIG. 2**



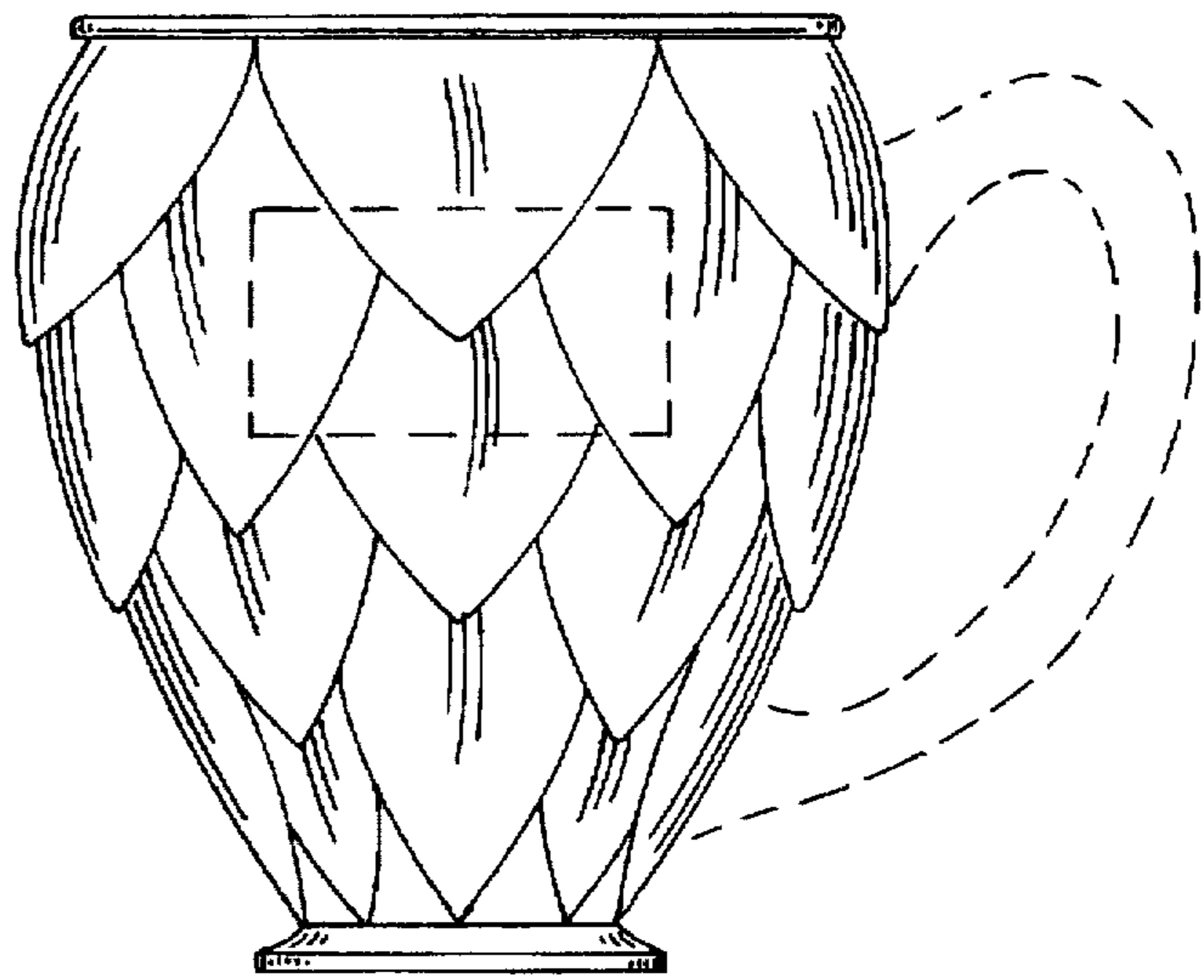
**FIG. 3**



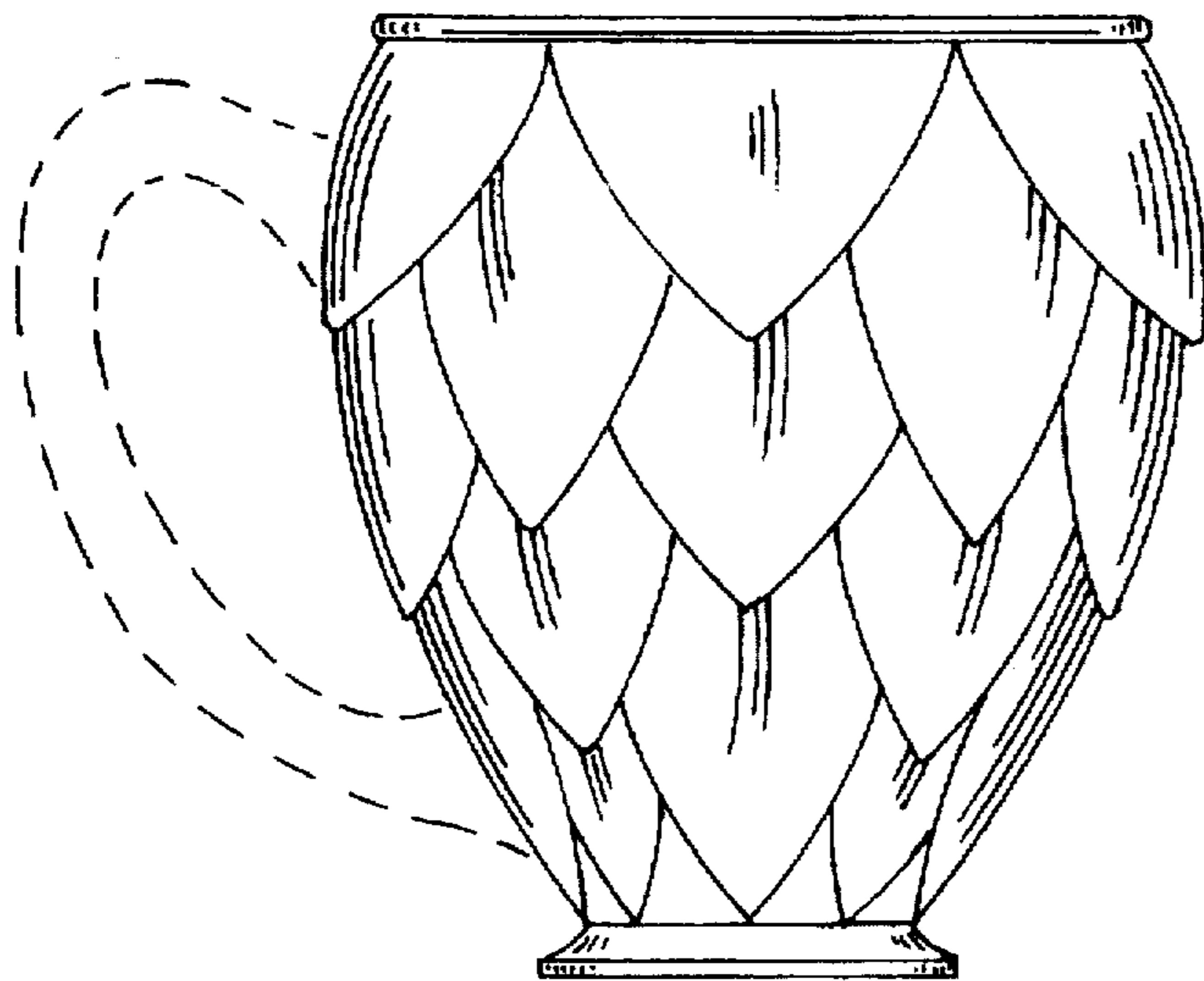
**FIG. 4**



**FIG. 5**



**FIG. 6**



**FIG. 7**