



US00D390329S

United States Patent [19]
Riley

[11] **Patent Number:** **Des. 390,329**
[45] **Date of Patent:** ****Feb. 3, 1998**

[54] **MAILBOX SUPPORT AND POST**
[76] **Inventor:** **Eddie C. Riley, P.O. Box 714, Nucla, Colo. 81424**
[**] **Term:** **14 Years**
[21] **Appl. No.:** **62,620**
[22] **Filed:** **Nov. 20, 1996**
[51] **LOC (6) Cl.** **99-00**
[52] **U.S. Cl.** **D99/32**
[58] **Field of Search** **D99/32, 33, 30, D99/29; 232/39; 248/127, 128, 146, 156, 157, 423**

4,187,978 2/1980 Dowker 232/39
4,955,533 9/1990 Merkel 232/39
5,020,720 6/1991 Harpe 232/39
5,215,283 6/1993 Gould 232/39 X
5,524,858 6/1996 Friend 232/39 X

Primary Examiner—Paula A. Mortimer
Attorney, Agent, or Firm—Donald W. Erickson

[57] **CLAIM**

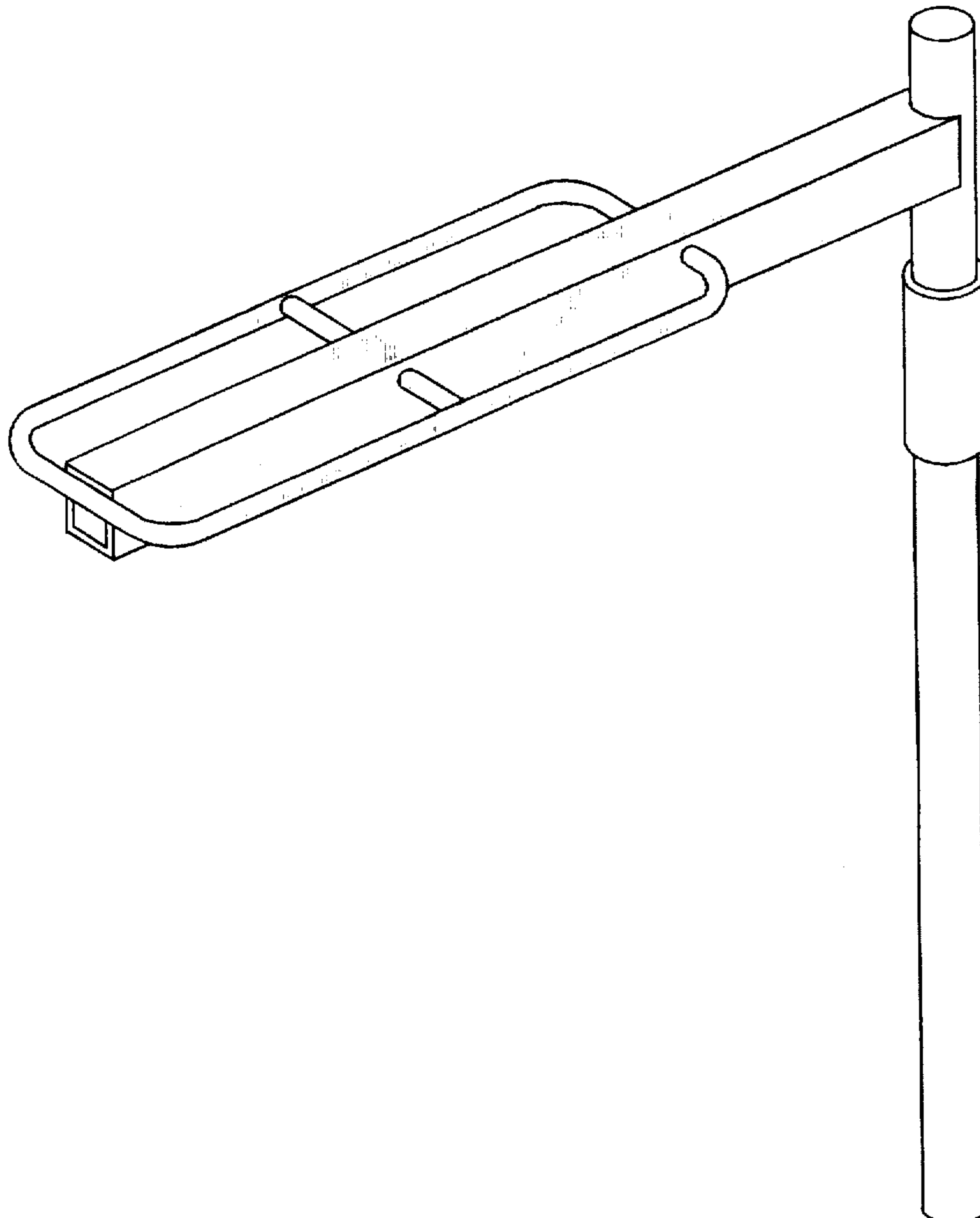
The ornamental design for a mailbox support and post, showing my new design.

DESCRIPTION

FIG. 1 is a perspective view, right frontal, of a mailbox support and post showing my new design;
FIG. 2 is a top plan view thereof;
FIG. 3 is a side elevational view thereof, the other side being the same;
FIG. 4 is a front elevational view thereof;
FIG. 5 is a rear elevational view thereof; and,
FIG. 6 is a bottom plan view thereof.

[56] **References Cited**
U.S. PATENT DOCUMENTS
D. 328,813 8/1992 Hagstrom D99/32
3,167,185 1/1965 Reed 248/146 X
3,497,078 2/1970 Nash 232/39 X
3,679,160 7/1972 Ballenger 248/146 X
3,833,168 9/1974 Sackrison 232/39
4,172,579 10/1979 Steinman 232/39 X

1 Claim, 3 Drawing Sheets



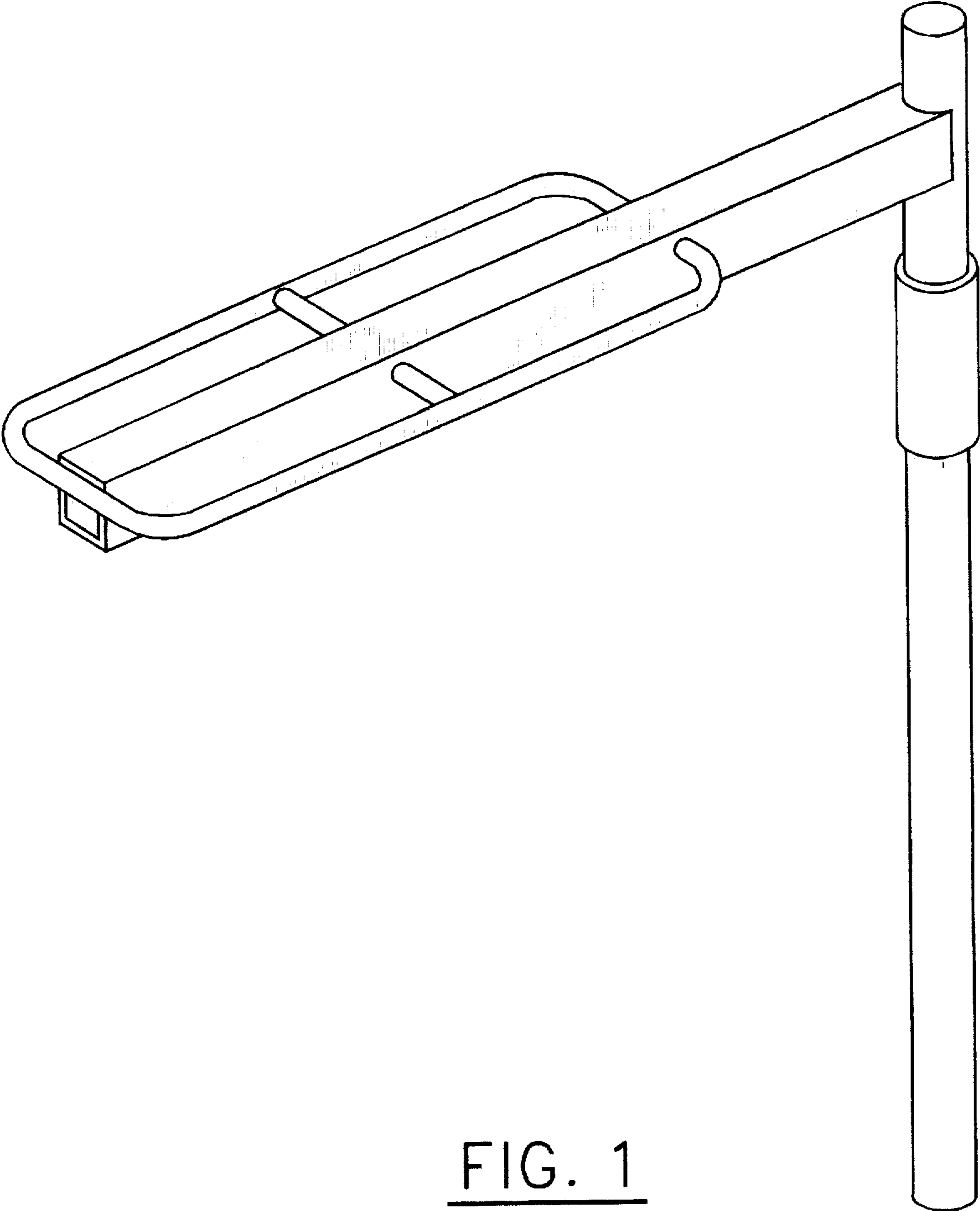


FIG. 1

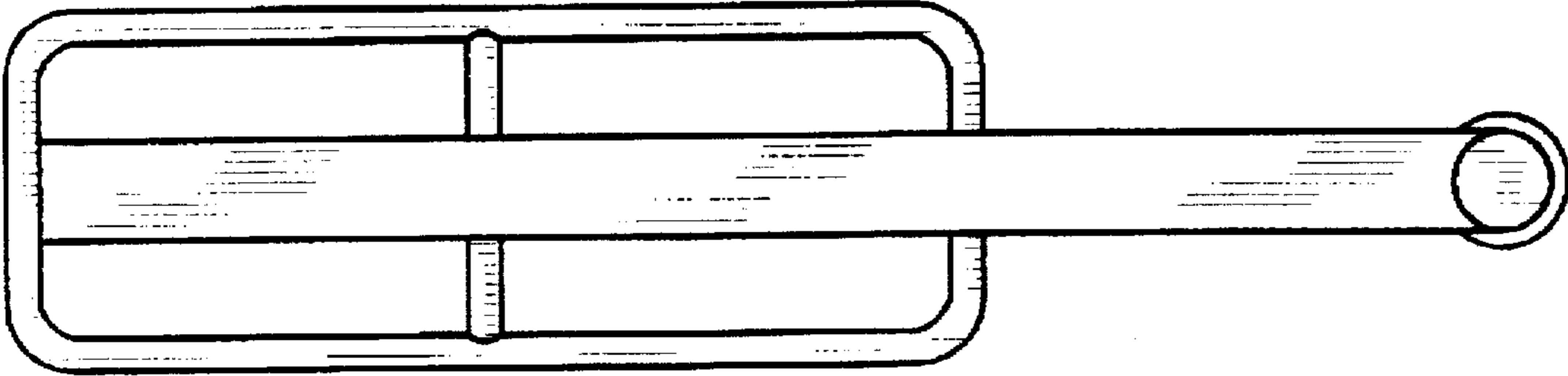


FIG. 2

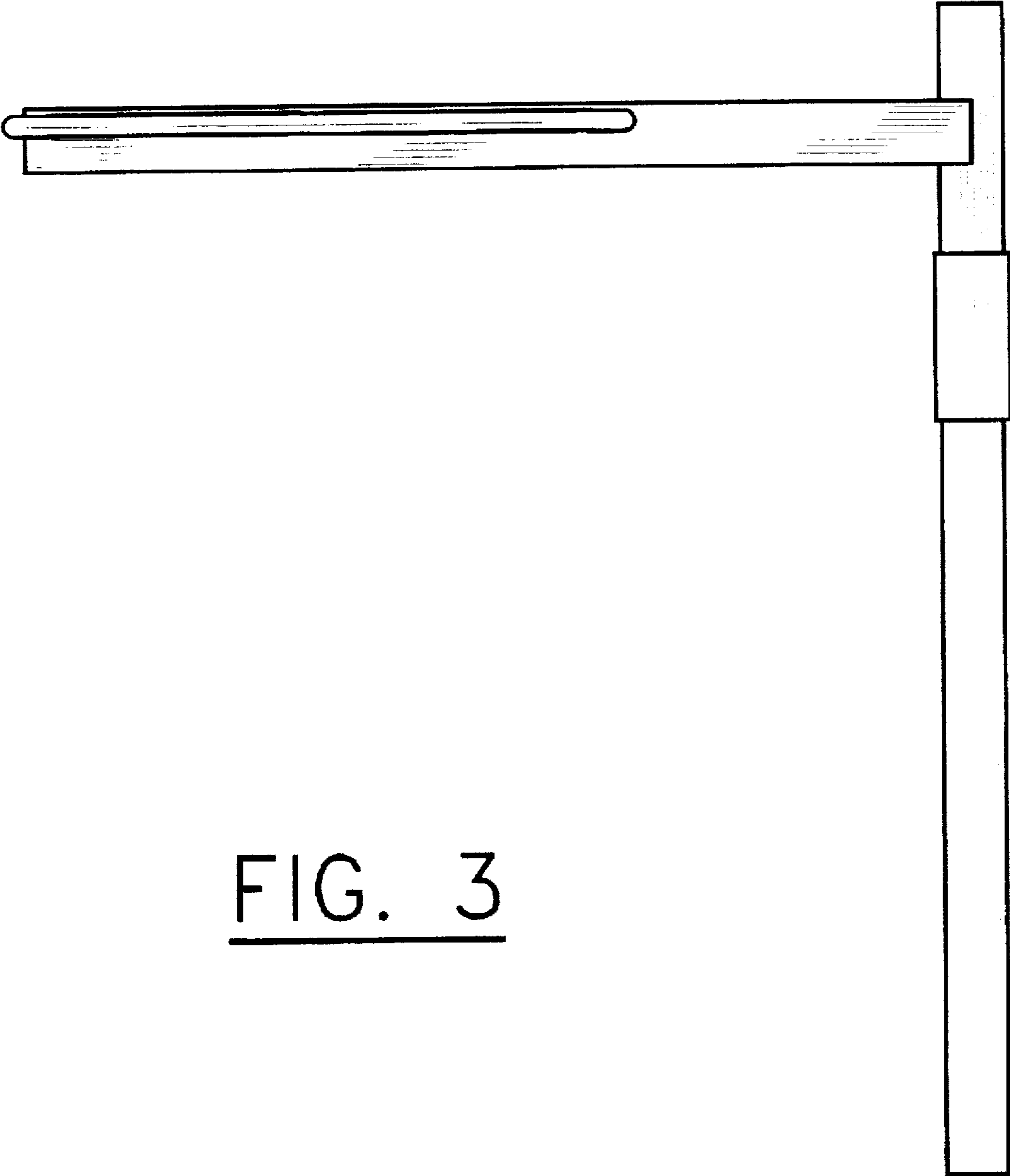


FIG. 3

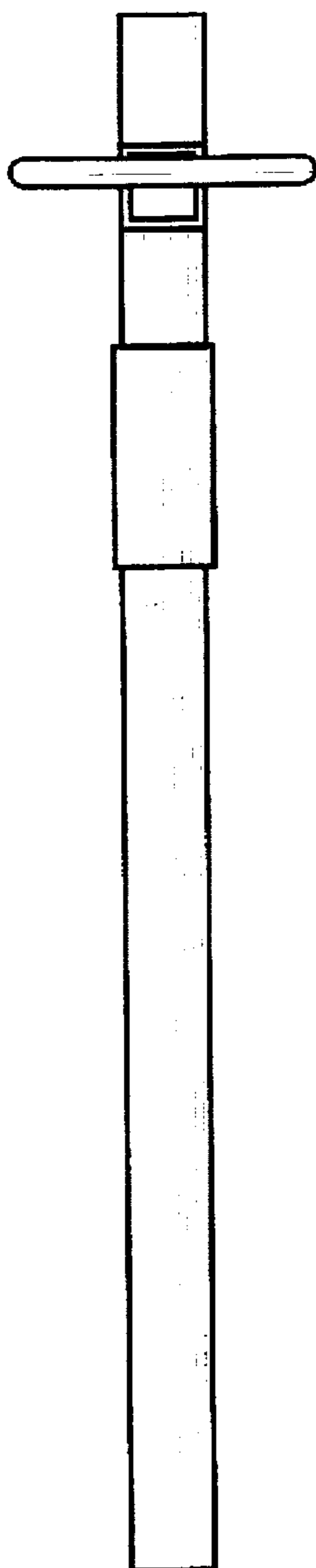


FIG. 4

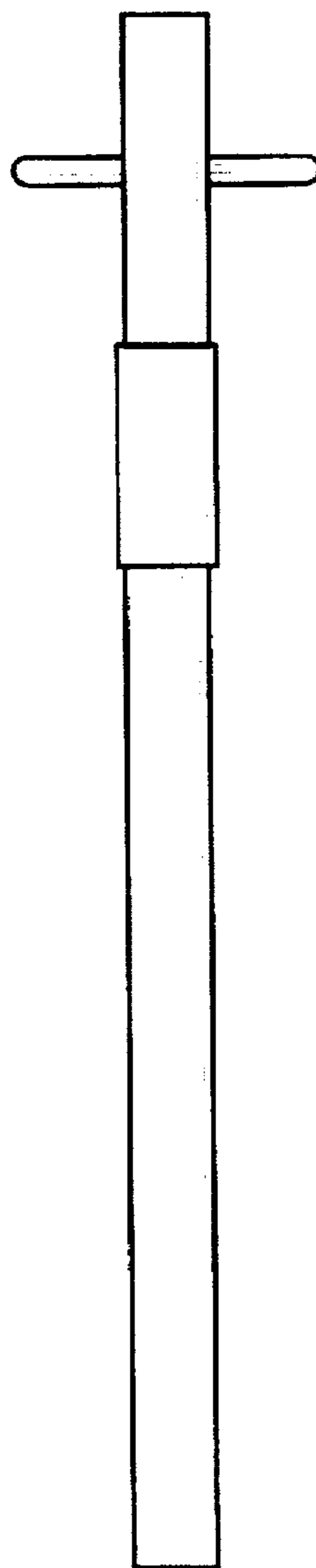


FIG. 5

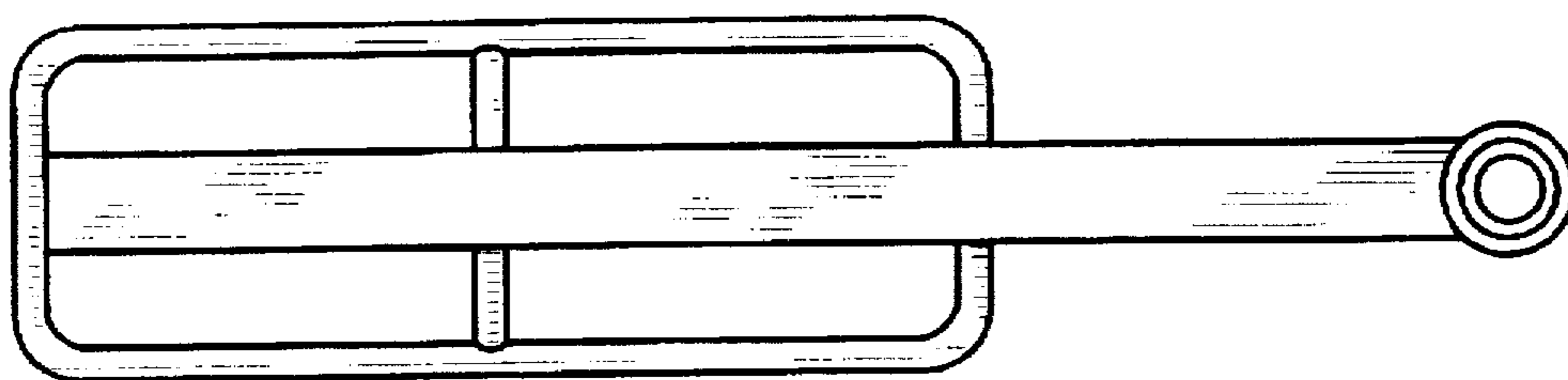


FIG. 6