



US00D390328S

# United States Patent [19]

Barton, Jr.

[11] Patent Number: **Des. 390,328**

[45] Date of Patent: **\*\*Feb. 3, 1998**

[54] **MOLDED MAILBOX AND POST**

[76] Inventor: **Bruce G. Barton, Jr.**, 5265 Mystic Lake Dr., Brighton, Mich. 48116

[\*\*] Term: **14 Years**

[21] Appl. No.: **58,761**

[22] Filed: **Aug. 22, 1996**

[51] LOC (6) Cl. .... **99-20**

[52] U.S. Cl. .... **D99/32; D99/29**

[58] Field of Search ..... **D99/29, 32; 248/145, 248/146; 232/17, 28, 39, 33, 35**

5,356,072	10/1994	Thomas	.....	232/17	X
5,400,959	3/1995	Cone	.....	232/39	
5,425,501	6/1995	Wesorick	.....	232/33	X
5,524,853	6/1996	Varlato	.....	232/39	X

**OTHER PUBLICATIONS**

Barrons Gaithersburg Lumber, April Catalog, p. A12.  
The American Home, Jul. 1954, p. 93.

*Primary Examiner*—Doris V. Coles  
*Attorney, Agent, or Firm*—Brooks & Kushman PC

[57] **CLAIM**

The ornamental design for the molded mailbox and post, as shown.

**DESCRIPTION**

FIG. 1 is a perspective view of a molded mailbox and post showing my new design;  
FIG. 2 is a right side elevational view;  
FIG. 3 is a rear elevational view;  
FIG. 4 is a left side elevational view;  
FIG. 5 is a front elevational view;  
FIG. 6 is a top plan view; and,  
FIG. 7 is a bottom plan view.

**1 Claim, 2 Drawing Sheets**

[56] **References Cited**

**U.S. PATENT DOCUMENTS**

D. 337,417	7/1993	McNiven	.....	D99/32
D. 362,096	9/1995	Loper	.....	D99/43
936,215	10/1909	Broberg	.....	232/35
1,195,016	8/1916	Hillman	.....	232/35
1,642,806	9/1927	Choate	.....	232/28
4,290,712	9/1981	Hayes	.....	404/10
4,367,844	1/1983	Drummond	.....	232/17
4,368,842	1/1983	DeLange, III	.....	232/17
4,600,143	7/1986	Harlow, Jr. et al.	.....	232/33 X
4,813,595	3/1989	Johns, Jr. et al.	.....	232/17

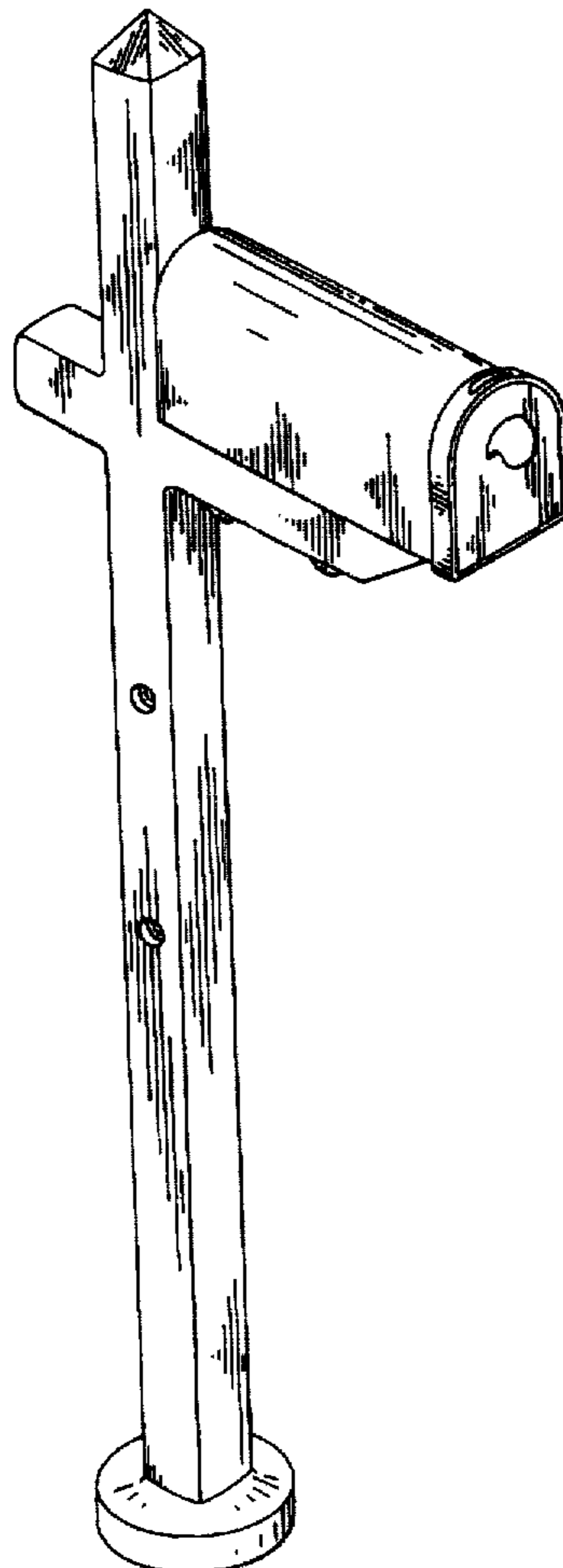


FIG 1

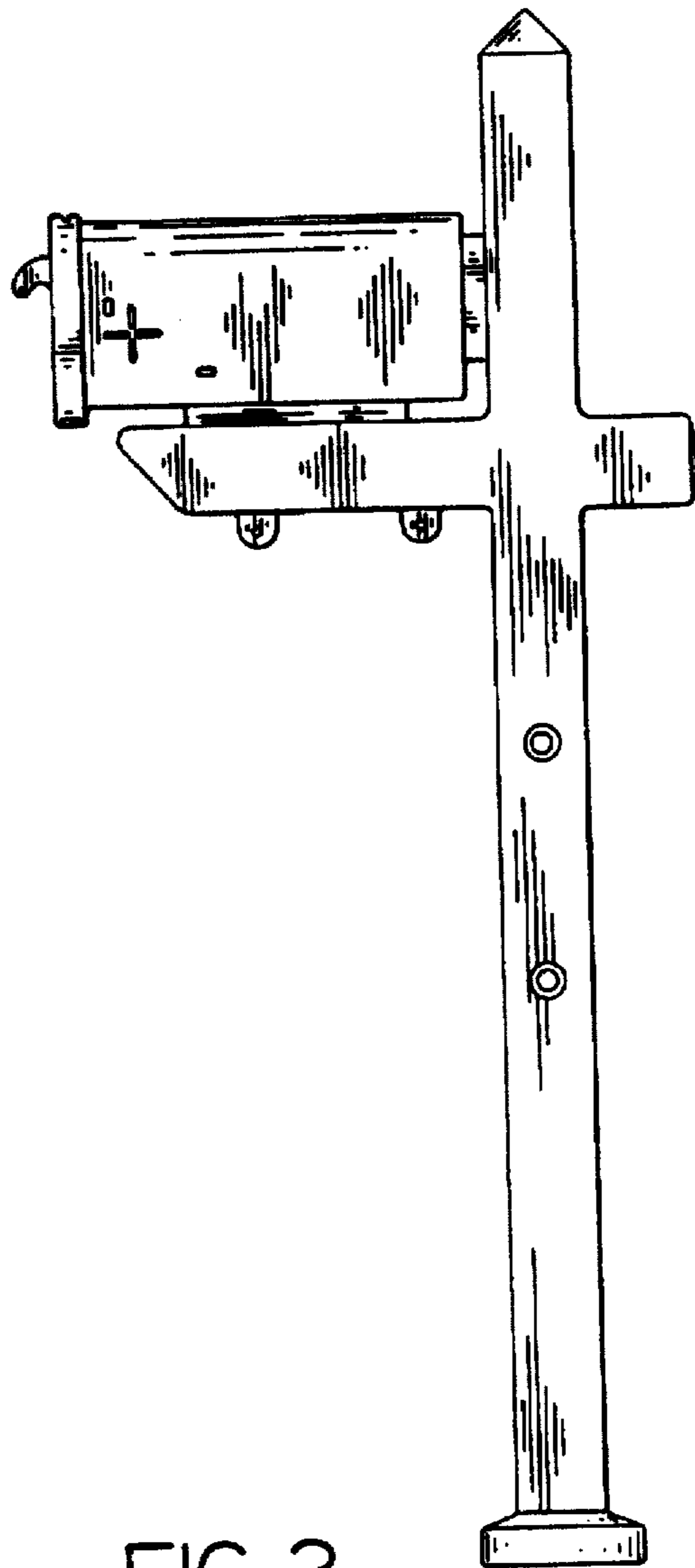
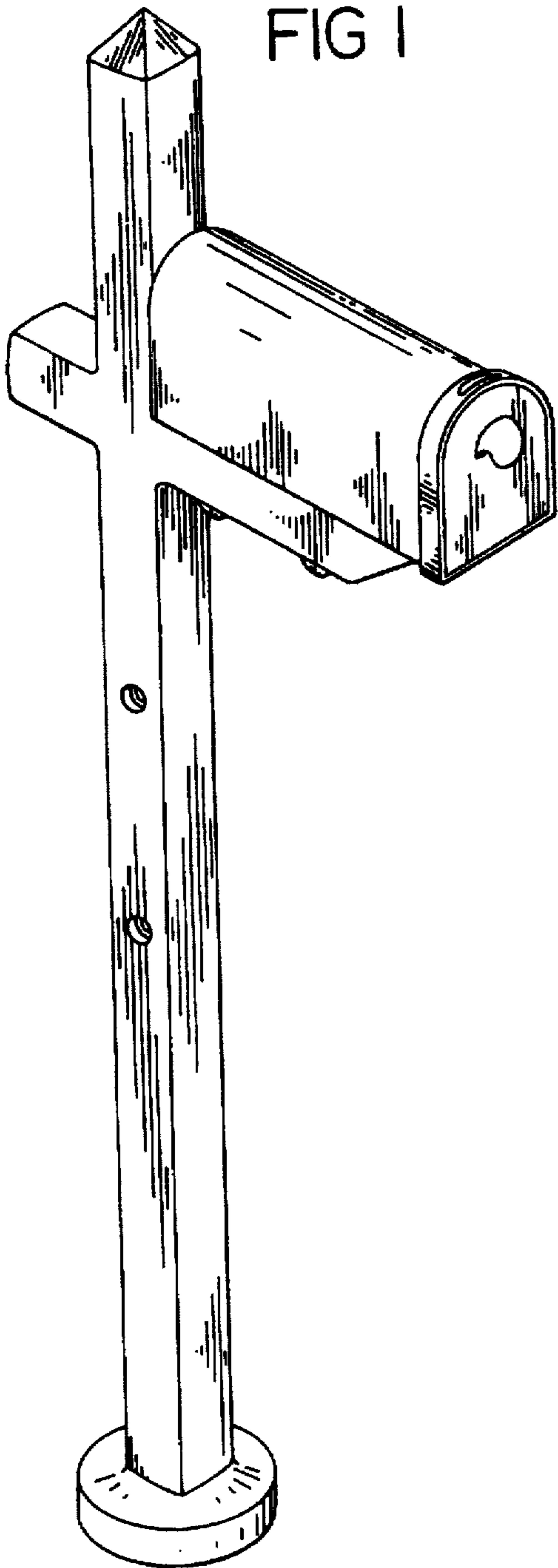


FIG 2

FIG 6

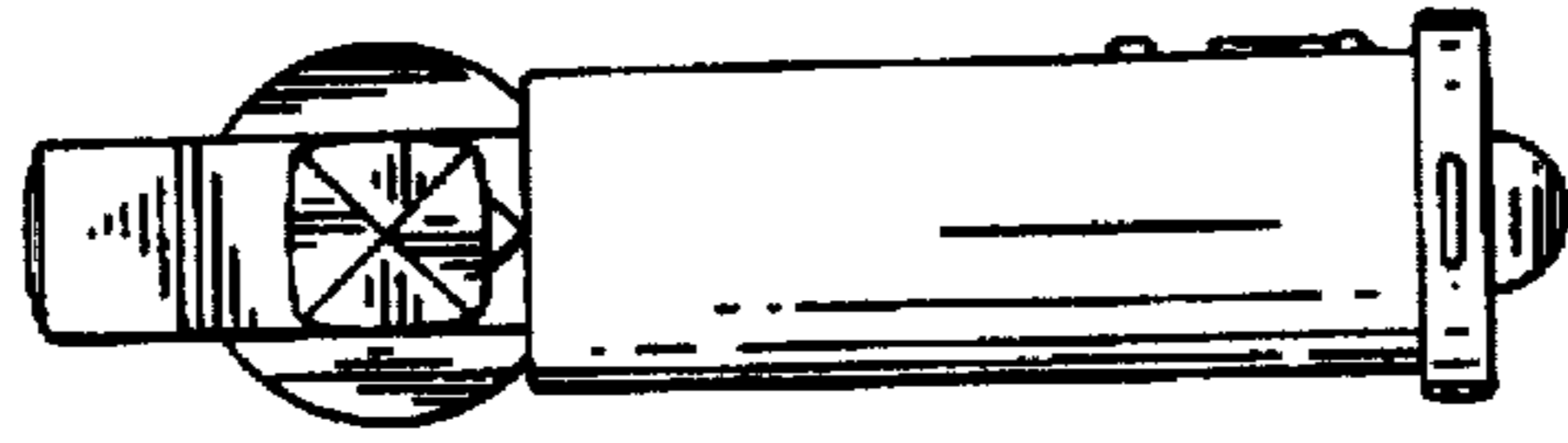


FIG 3



FIG 5

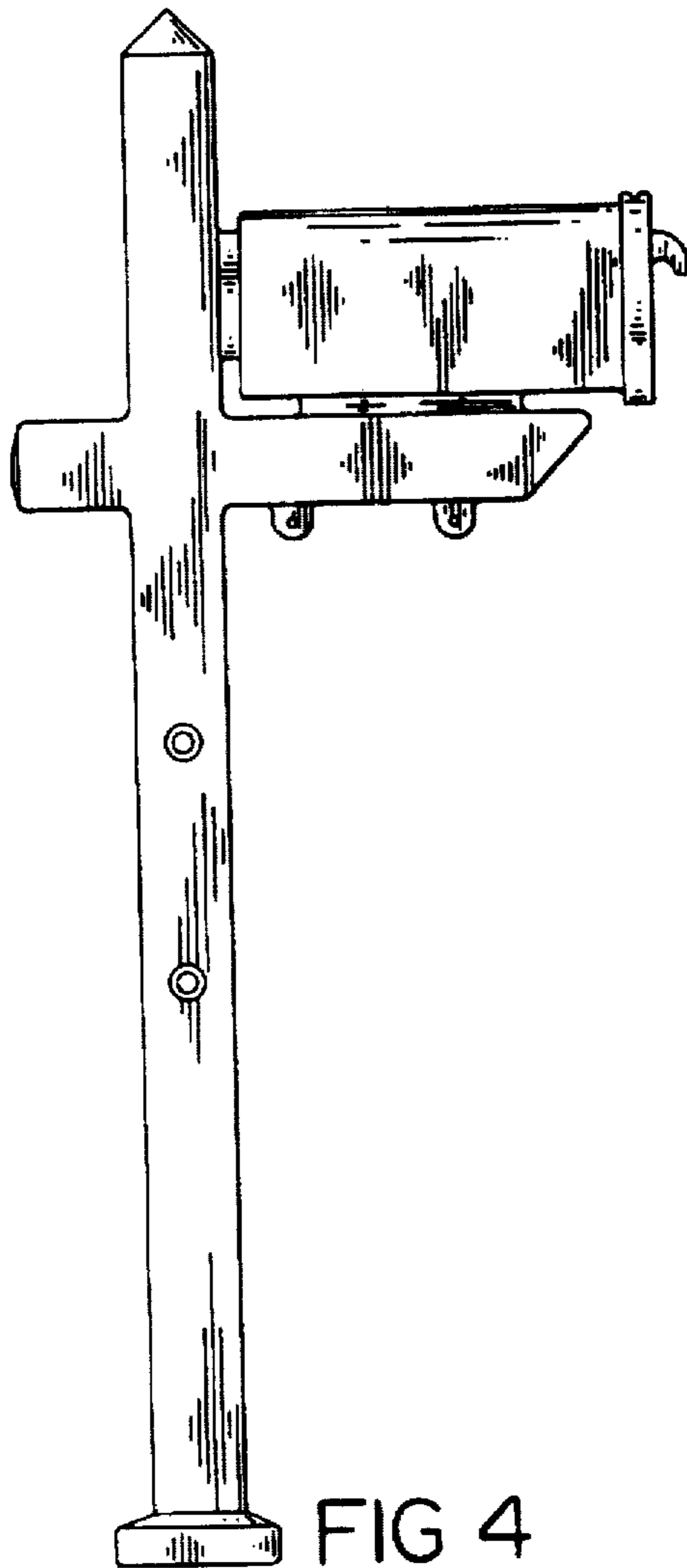
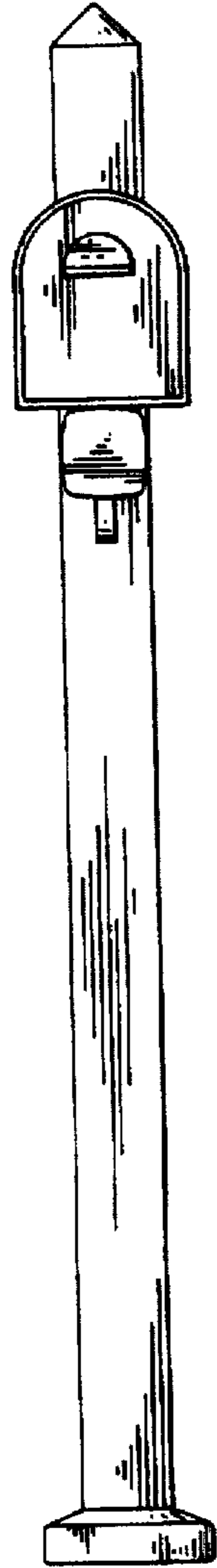


FIG 4

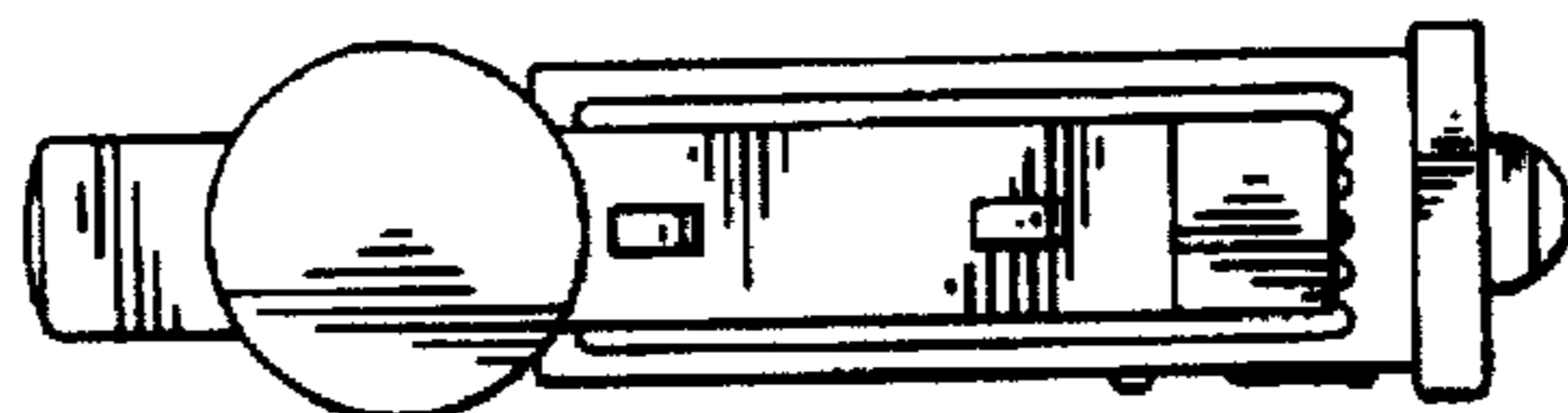


FIG 7