



US00D390316S

United States Patent [19]

Smith

[11] Patent Number: **Des. 390,316**

[45] Date of Patent: ****Feb. 3, 1998**

[54] **END BOARD PAD**

[76] Inventor: **Stacey D. Smith**, 700 Kathleen Dr., Normal, Ill. 61761

[**] Term: **14 Years**

[21] Appl. No.: **55,769**

[22] Filed: **Jun. 13, 1996**

[51] LOC (6) Cl. **09-08**

[52] U.S. Cl. **D34/38**

[58] Field of Search D34/39, 38, 28; D7/387, 403, 404; 206/415, 416; D3/321; D8/400; D9/456; 108/51.1

[56] **References Cited**

U.S. PATENT DOCUMENTS

D. 140,415	2/1945	Wise et al.	D3/321
D. 225,841	1/1973	Skendrovic	D34/38
D. 242,336	11/1976	Steinlein	D34/38
D. 346,681	5/1994	Pigott et al.	D34/38
D. 347,510	5/1994	Riddick	D34/38
3,260,362	7/1966	Schwinne	206/415
3,467,032	9/1969	Rowlands et al.	108/51.1

3,526,195	9/1970	Maryonovich	D34/38 X
4,877,133	10/1989	Klenter et al.	206/416
4,884,690	12/1989	Klenter et al.	206/416
5,097,951	3/1992	Pigott et al.	206/386
5,100,076	3/1992	Cobane et al.	206/416 X
5,205,411	4/1993	Born et al.	206/391
5,346,741	9/1994	Toral et al.	206/394 X

Primary Examiner—M. N. Pandozzi
Attorney, Agent, or Firm—Philip L. Bateman

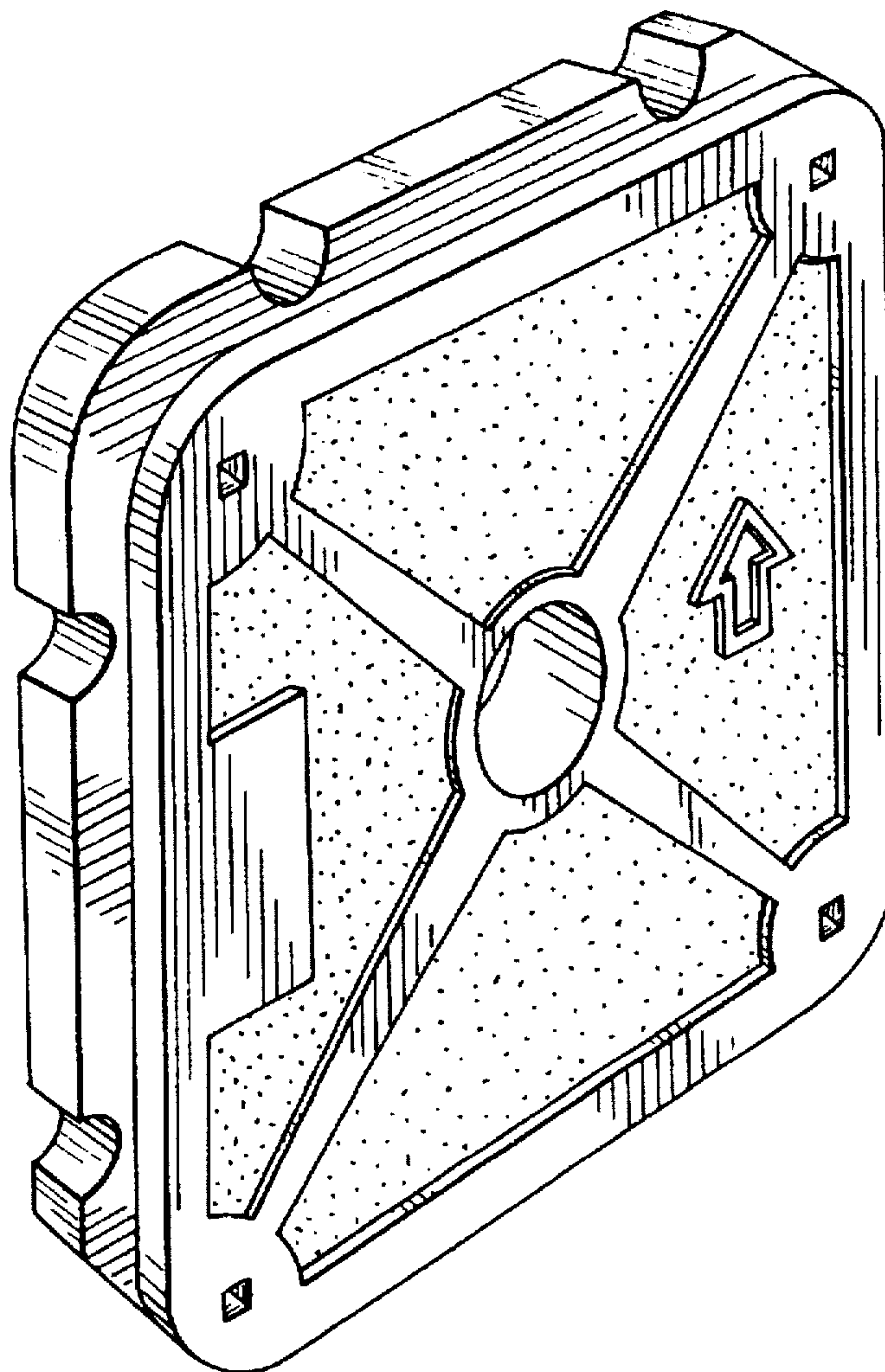
[57] **CLAIM**

The ornamental design for an end board pad, as shown and described.

DESCRIPTION

FIG. 1 is a front, left side, and top perspective view of an end board pad showing my new design;
FIG. 2 is a front elevation view thereof;
FIG. 3 is a top plan view thereof;
FIG. 4 is a left side elevation view thereof;
FIG. 5 is a right side elevation view thereof;
FIG. 6 is a bottom plan view thereof; and,
FIG. 7 is a rear elevation view thereof.

1 Claim, 1 Drawing Sheet



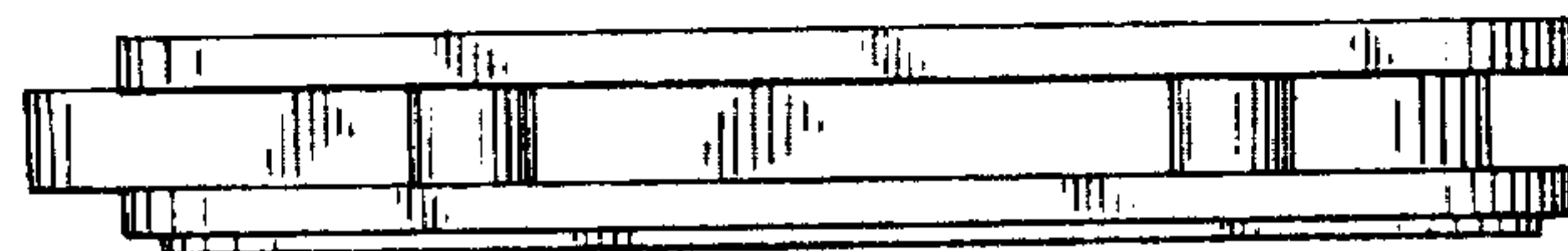
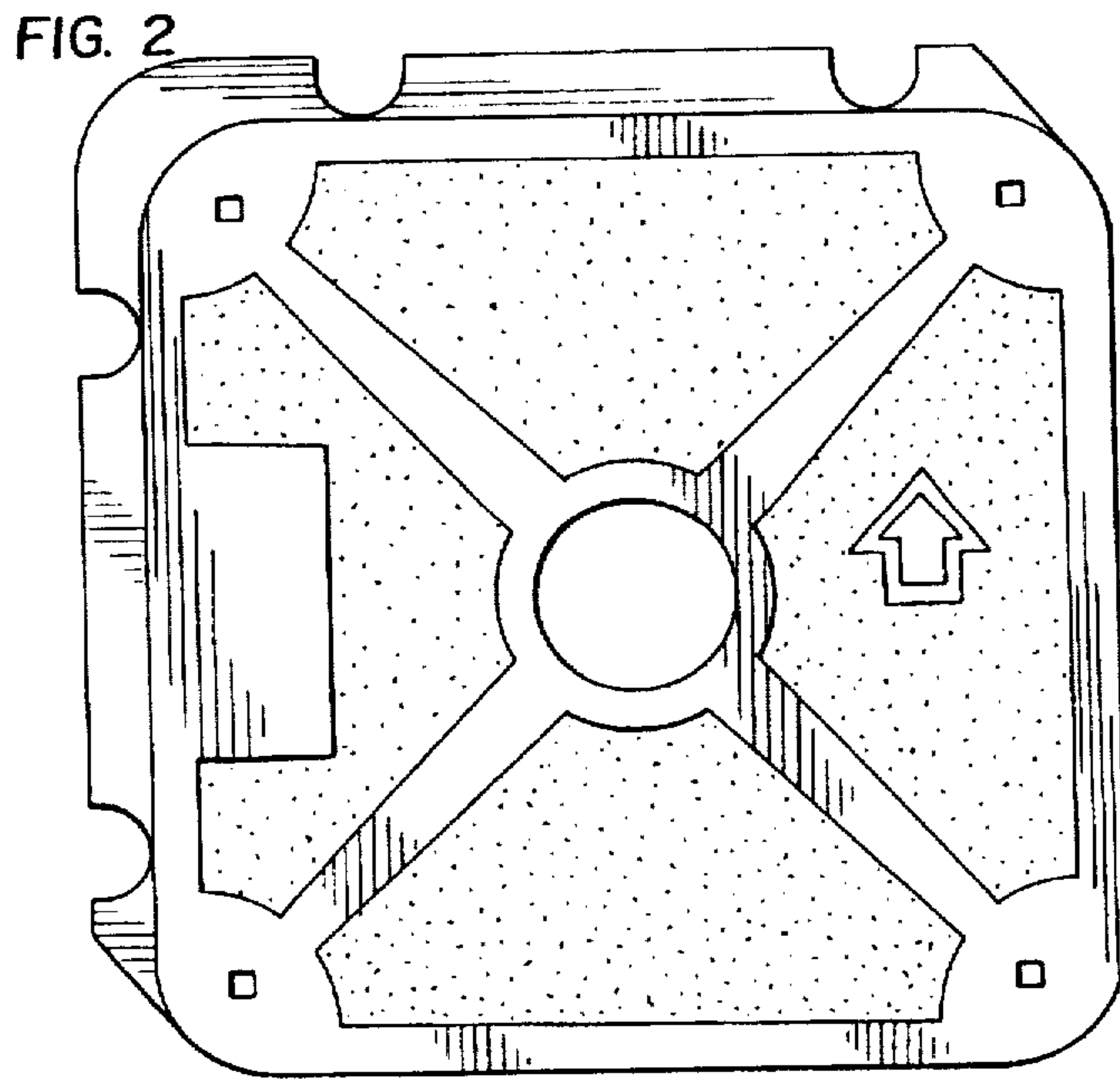
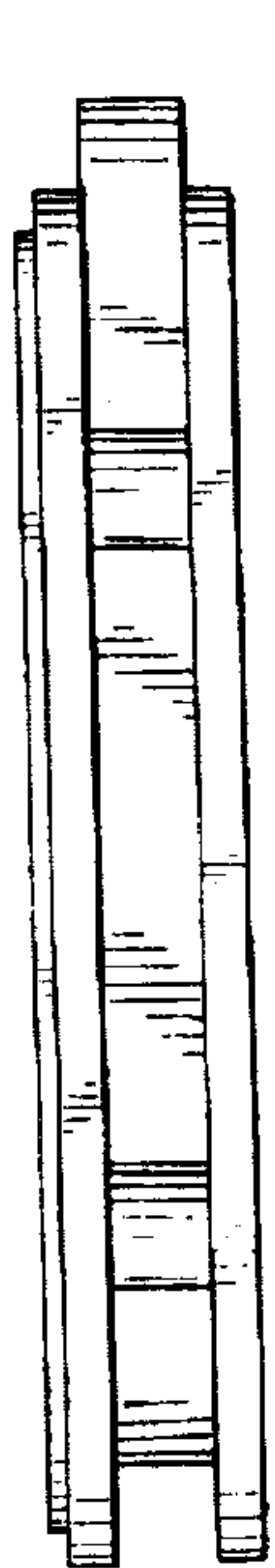
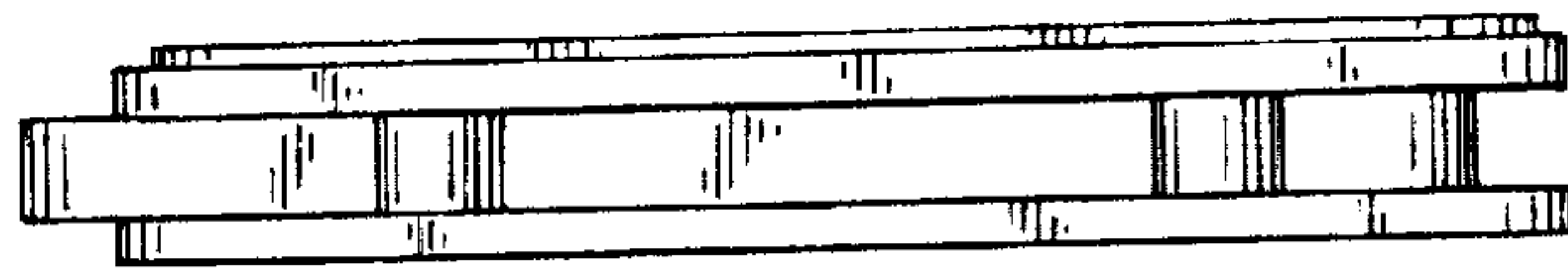
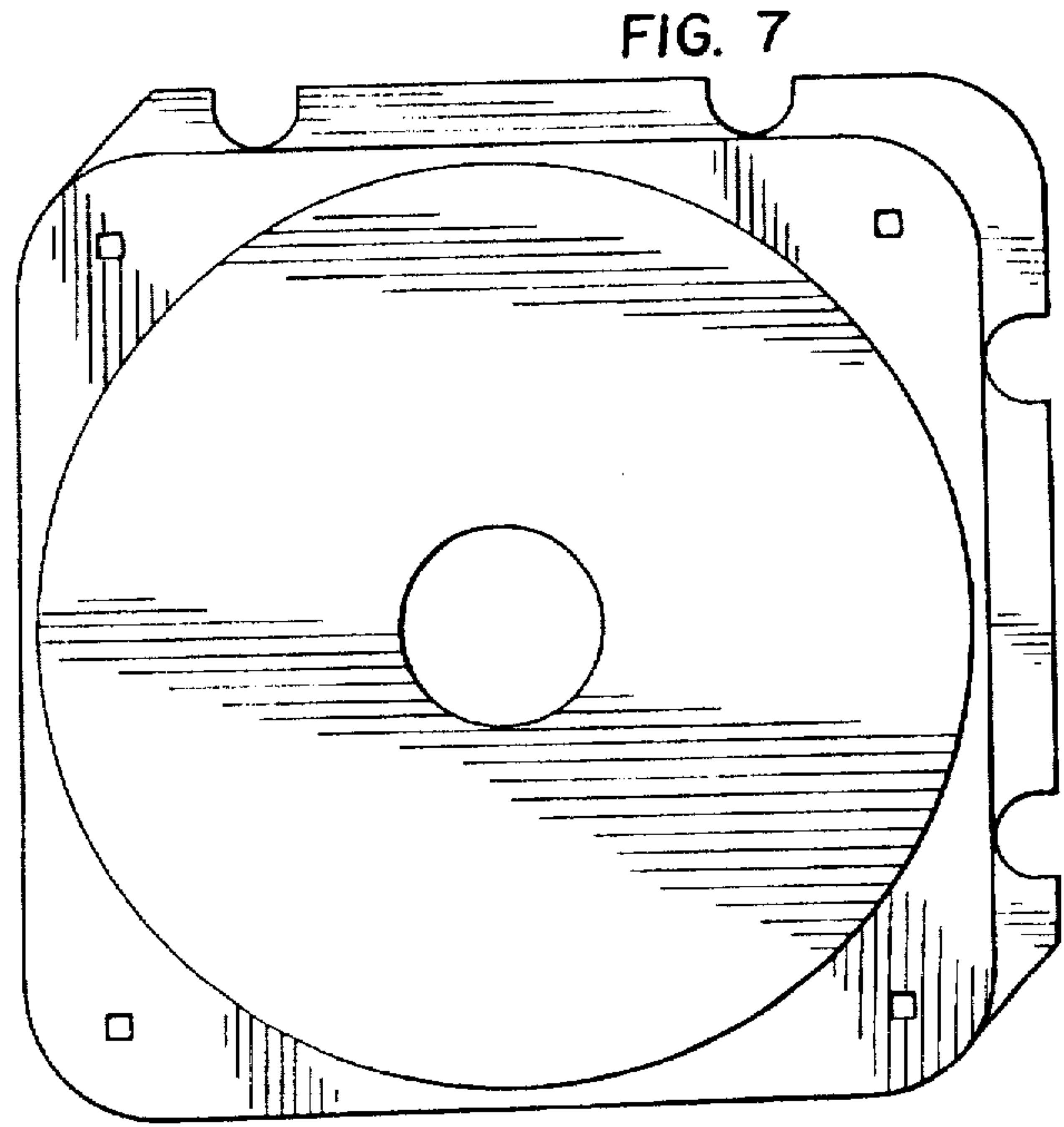
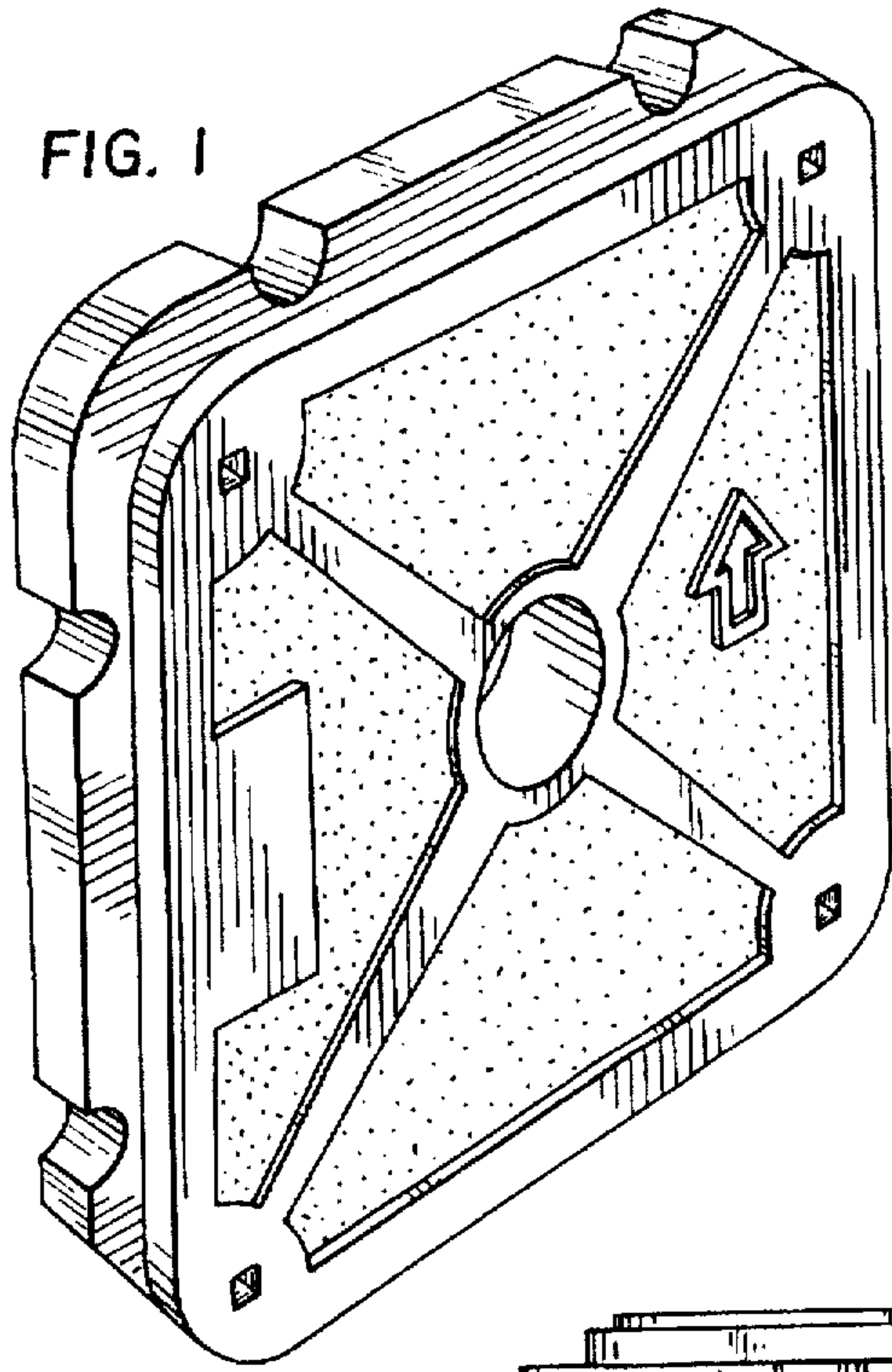


FIG. 4

FIG. 5

FIG. 6