



US00D390315S

United States Patent [19]

Spear et al.

[11] Patent Number: **Des. 390,315**

[45] Date of Patent: ****Feb. 3, 1998**

[54] **PORTABLE HOSE CART FRAME ASSEMBLY**

[75] Inventors: **Kenneth J. Spear**, Vienna; **Rudy F. Planthaber**, Mineral Wells; **Eric D. Bennett**, Parkersburg, all of W. Va.; **Steven F. Brooker**, Marietta, Ohio

[73] Assignee: **O. Ames Co.**, Parkersburg, W. Va.

[**] Term: **14 Years**

[21] Appl. No.: **63,527**

[22] Filed: **Dec. 10, 1996**

[51] LOC (6) Cl. **12-02**

[52] U.S. Cl. **D34/24; D8/359**

[58] Field of Search **D34/12-26; 242/403.1, 242/355.27, 355.16; D8/359, 358**

[56] **References Cited**

U.S. PATENT DOCUMENTS

- D. 323,916 2/1992 Sanchez, Jr. et al. D34/24
- D. 349,039 7/1994 Goodman et al. D34/24

- D. 363,207 10/1995 Tisbo et al. D34/26
- D. 376,096 12/1996 Tisbo et al. D34/24

Primary Examiner—Kay H. Chin
Attorney, Agent, or Firm—Cushman Darby & Cushman IP Group of Pillsbury Madison & Sutro LLP

[57] **CLAIM**

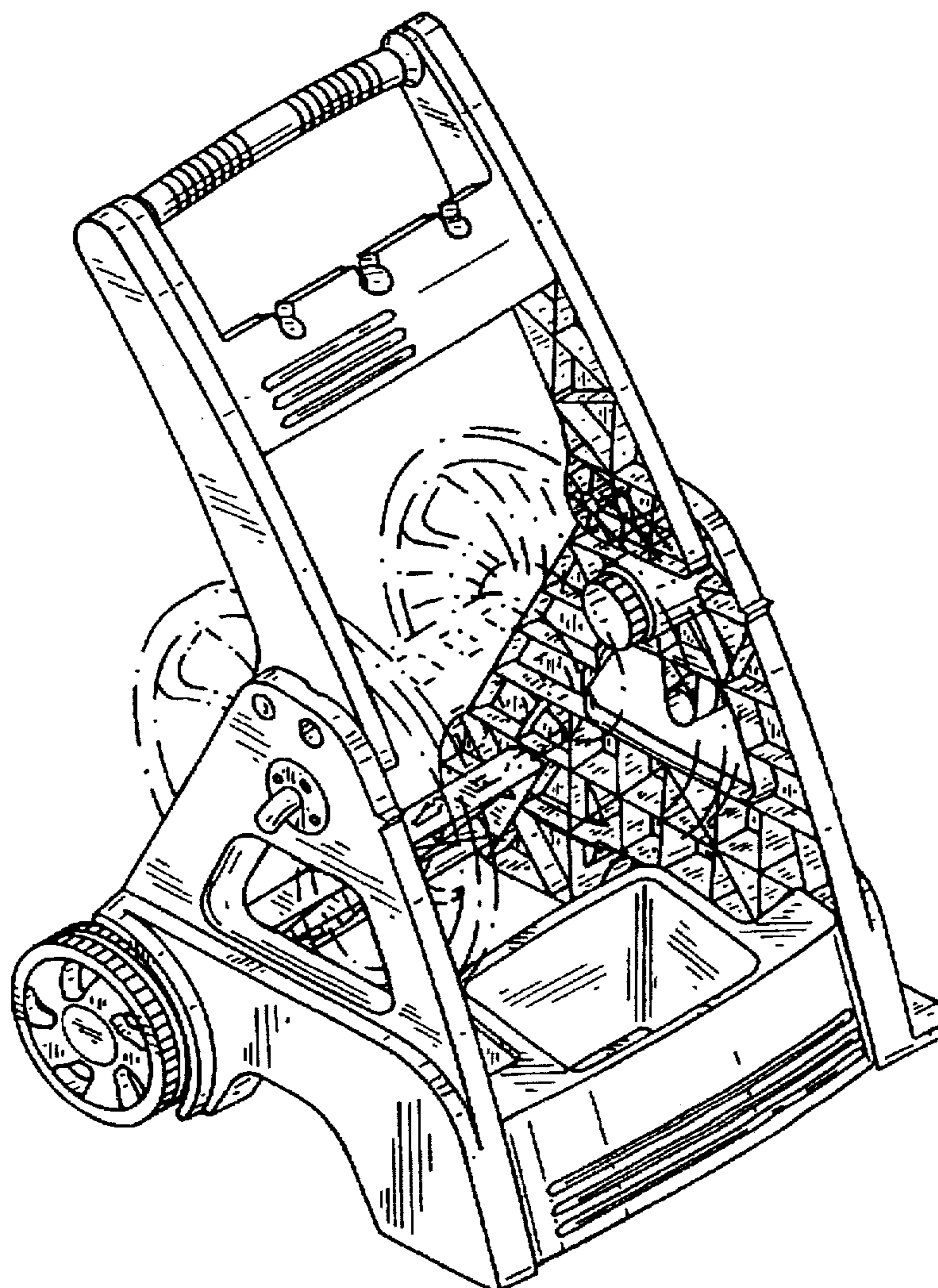
The ornamental design for a portable hose cart frame assembly, as shown and described.

DESCRIPTION

FIG. 1 is a perspective view of a portable hose cart frame assembly embodying our new design; The broken lines are for illustrative purposes only and form no part of the claimed design.

FIG. 2 is a left hand side view thereof;
 FIG. 3 is a right hand side view thereof;
 FIG. 4 is a front elevational view thereof;
 FIG. 5 is a rear elevational view thereof;
 FIG. 6 is a top plan view thereof; and,
 FIG. 7 is a bottom plan view thereof.

1 Claim, 5 Drawing Sheets



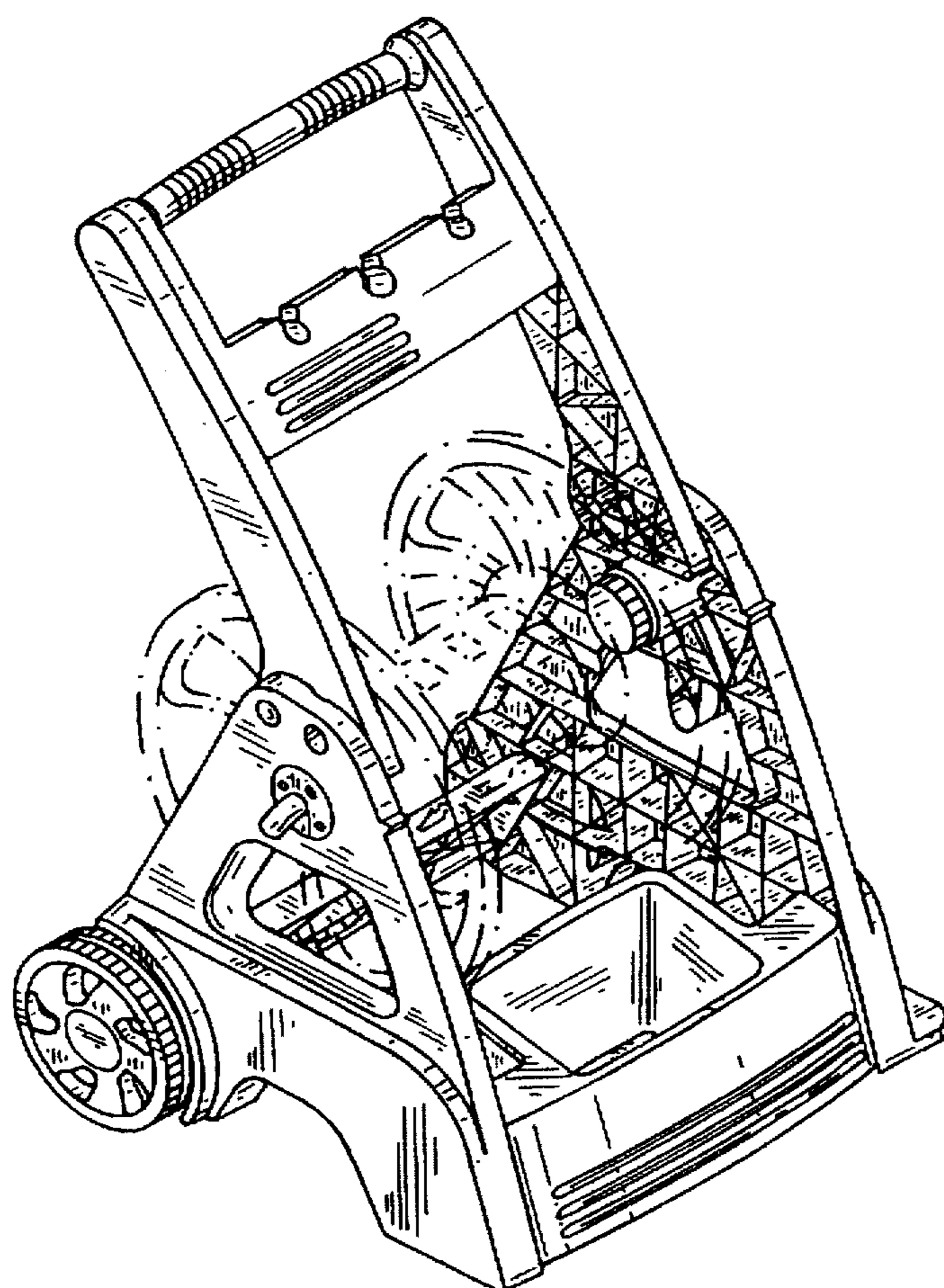


FIG. 1

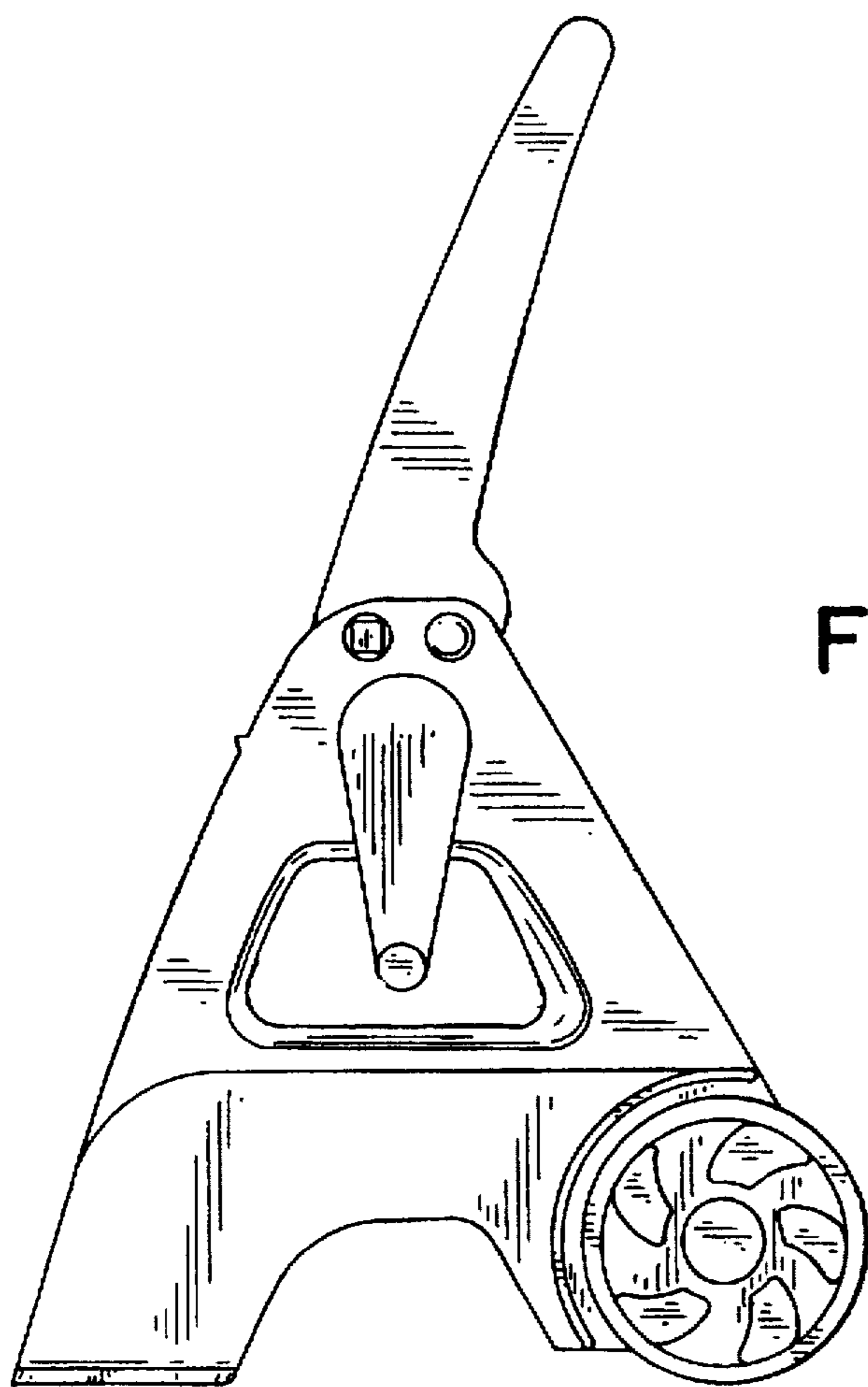


FIG. 2

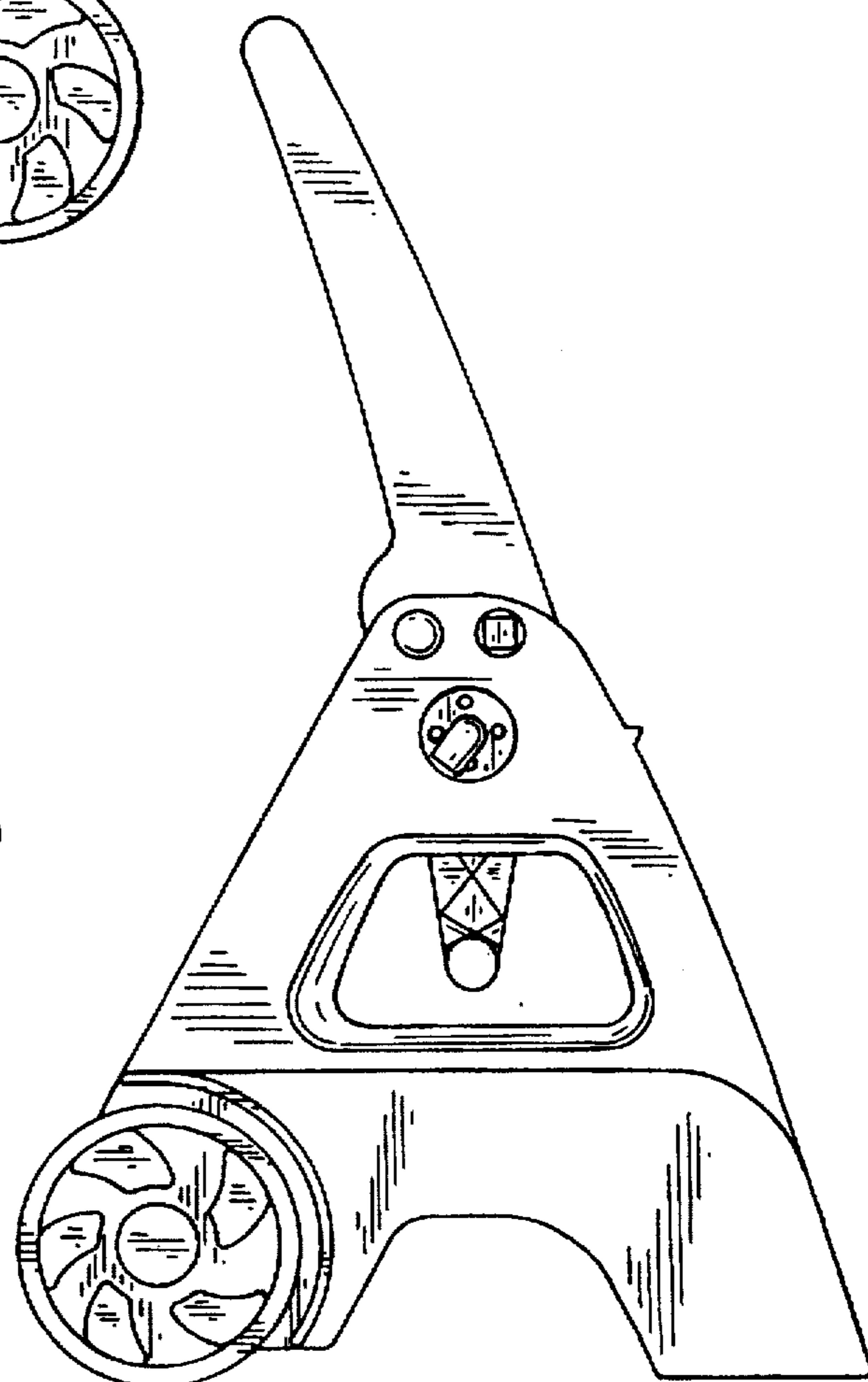


FIG. 3

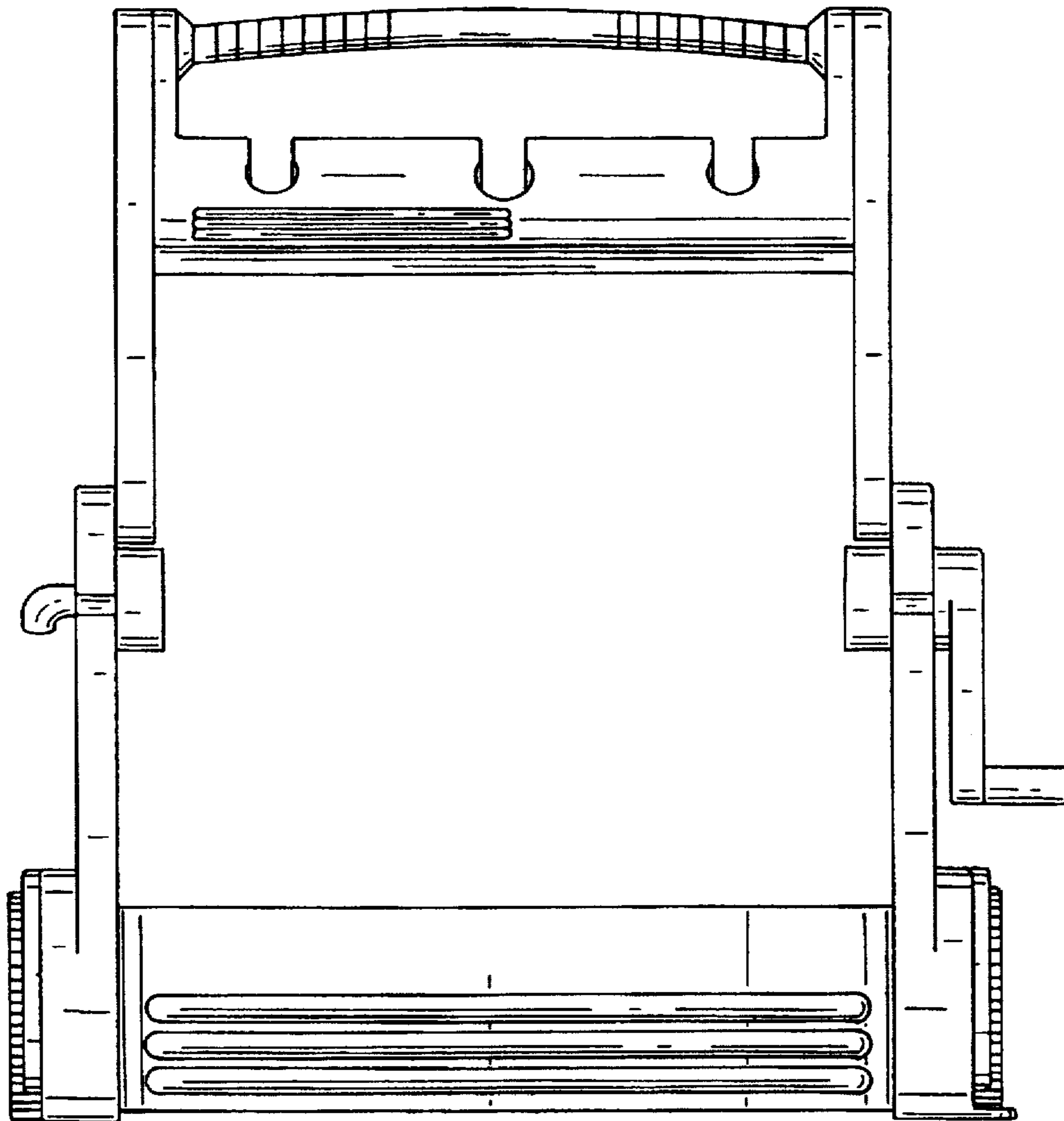


FIG. 4

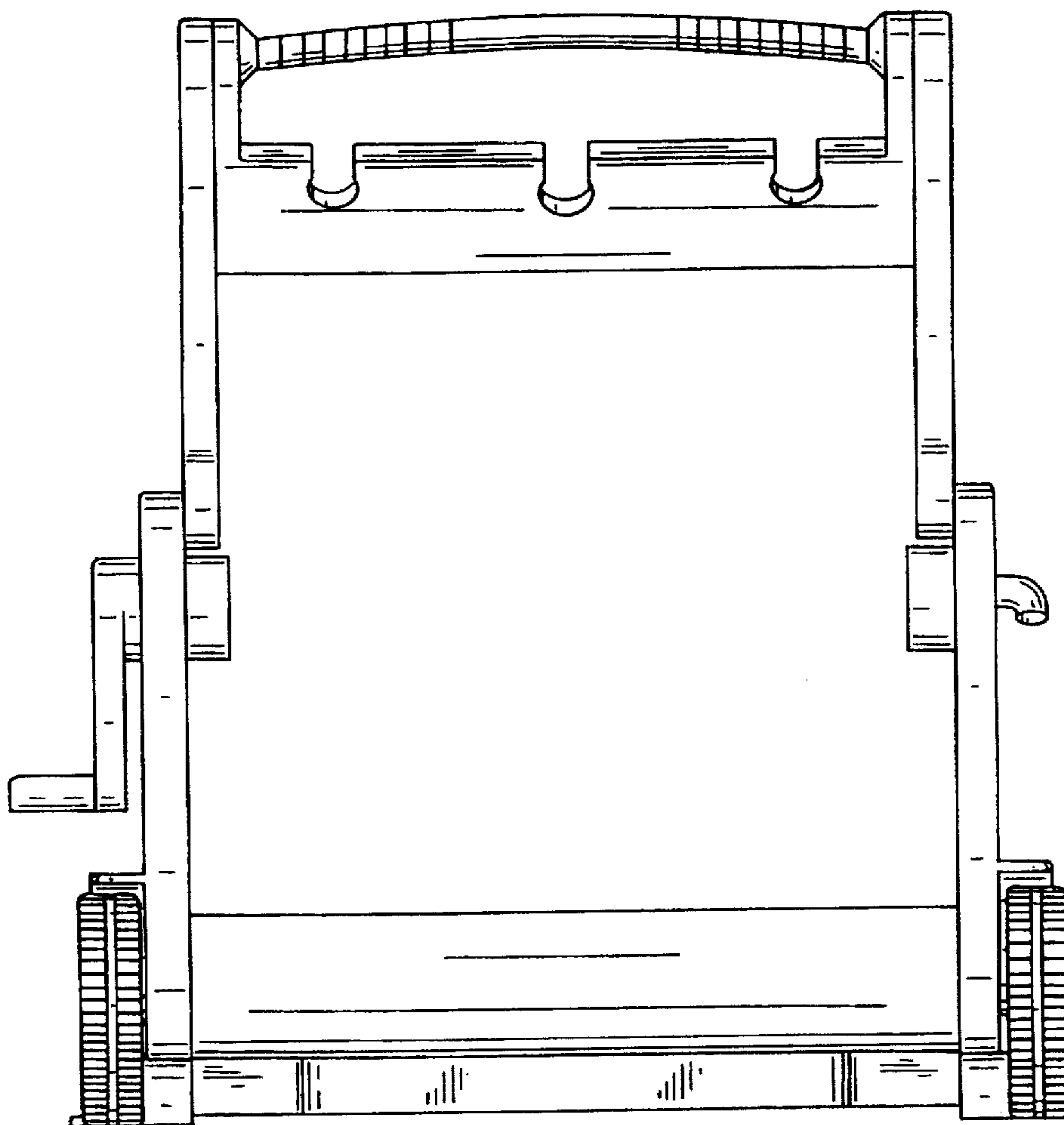


FIG. 5

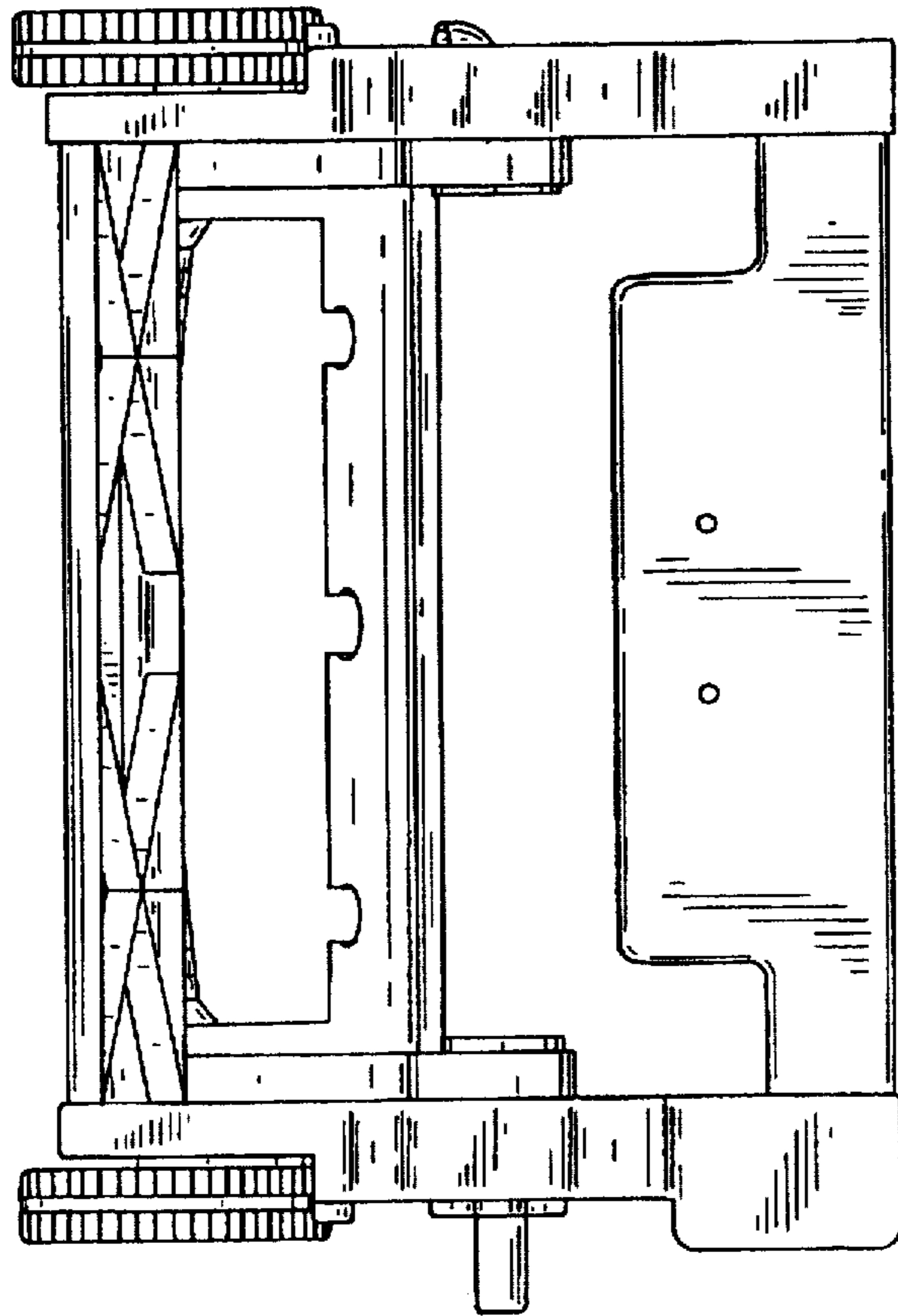


FIG. 7

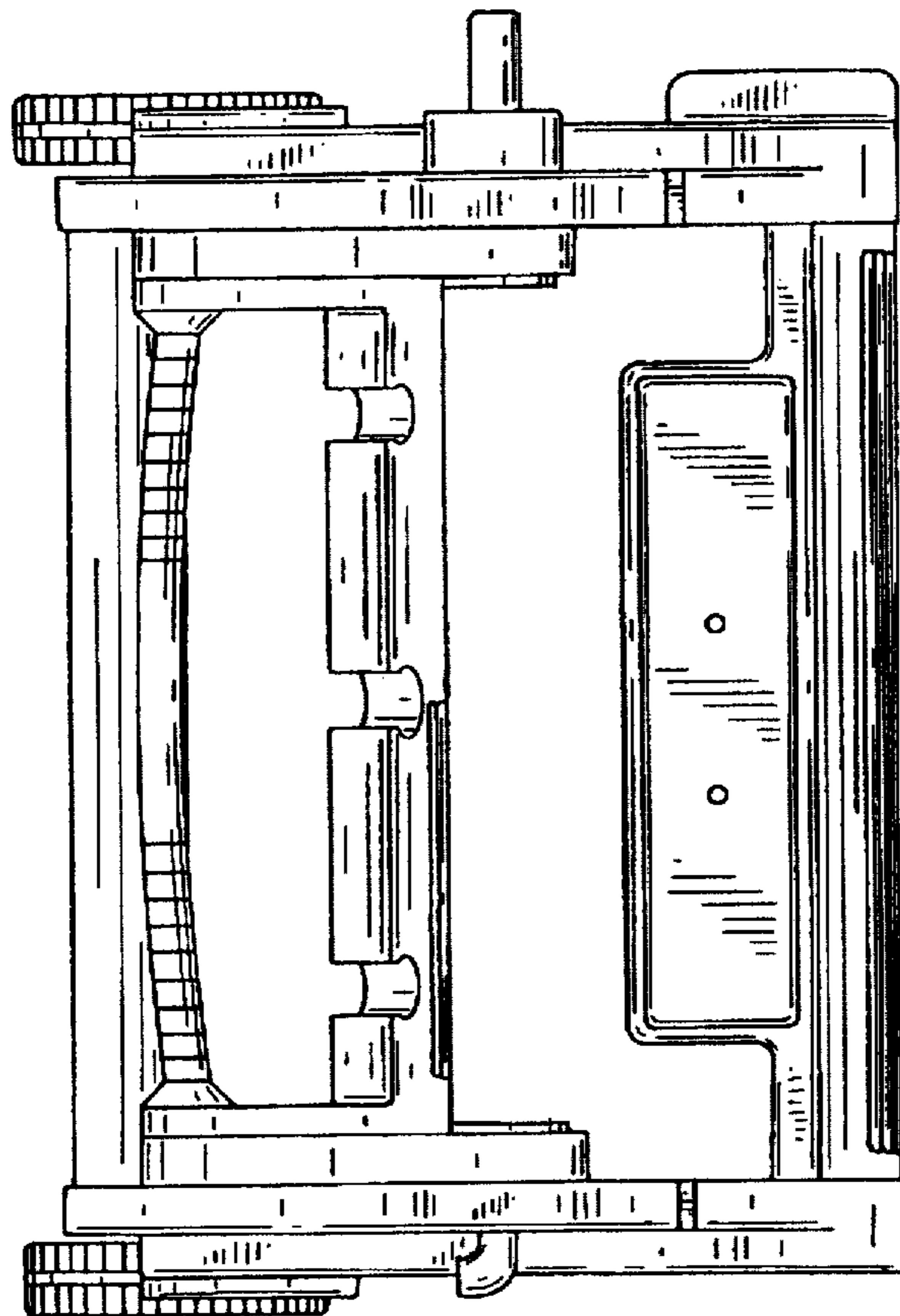


FIG. 6