



US00D390308S

United States Patent [19]

Sieland et al.

[11] Patent Number: **Des. 390,308**

[45] Date of Patent: ****Feb. 3, 1998**

[54] **PIVOTABLE SEAT ATTACHABLE FISHING ROD SUPPORT**

[75] Inventors: **Robert Sieland, Wright City; Raymond J. Pieper, St. Louis, both of Mo.**

[73] Assignee: **Boat-A-Systems, Inc., St. Louis, Mo.**

[**] Term: **14 Years**

[21] Appl. No.: **58,319**

[22] Filed: **Jul. 9, 1996**

Related U.S. Application Data

[63] Continuation-in-part of Ser. No. 28,709, Sep. 20, 1994, Pat. No. Des. 371,595.

[51] LOC (6) Cl. **22-05**

[52] U.S. Cl. **D22/147**

[58] Field of Search **D22/147, 148; 43/21.2; D6/336, 335, 364, 368, 367; 248/214, 517, 571, 514, 538; 297/188.01, 188.02, 217.1, 344.22; 114/363**

[56] References Cited

U.S. PATENT DOCUMENTS

D. 371,595	7/1996	Pieper et al.	D22/147
D. 377,387	1/1997	Mathewson	D22/147
3,077,327	2/1963	Batie et al.	297/188.01

3,851,916	12/1974	Quartullo	43/21.2 X
4,085,686	4/1978	Turner et al.	297/188.02
4,835,896	6/1989	Bowen	43/21.2
4,887,375	12/1989	Shedd et al.	43/21.2
5,063,701	11/1991	Ottens	43/21.2

Primary Examiner—Doris V. Coles
Attorney, Agent, or Firm—Howell & Haferkamp, L.C.

[57] CLAIM

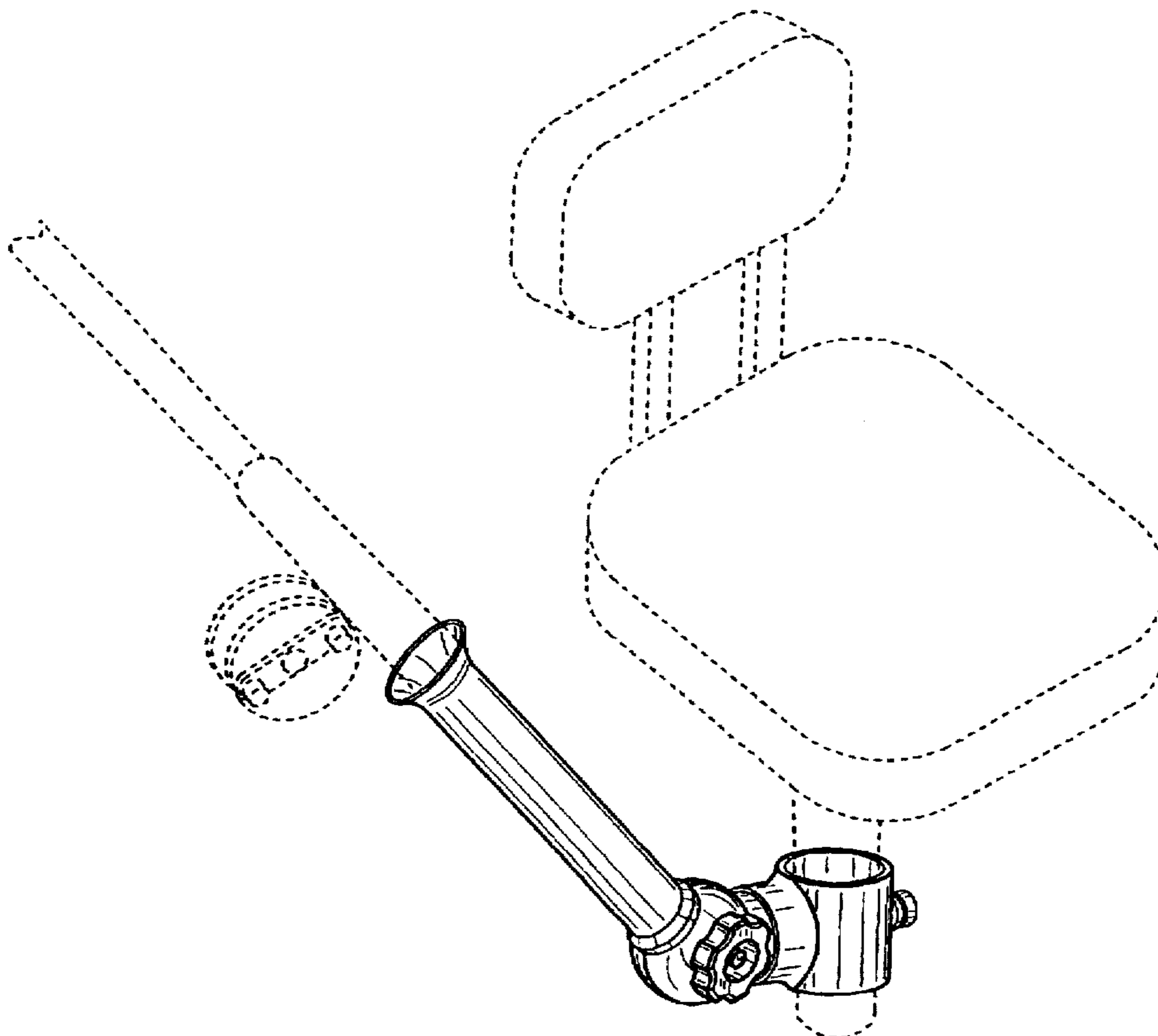
The ornamental design for a pivotable seat attachable fishing rod support, as shown and described.

DESCRIPTION

FIG. 1 is a perspective view of a pivotable seat attachable fishing rod support showing our new design;
 FIG. 2 is an enlarged perspective view thereof;
 FIG. 3 is a perspective view with the rod holding portion in the vertical position;
 FIG. 4 is a right side elevational view with the rod holding portion at a 45 degree angle;
 FIG. 5 is a left side elevational view thereof;
 FIG. 6 is a front elevational view thereof;
 FIG. 7 is a rear elevational view thereof;
 FIG. 8 is a top plan view thereof; and,
 FIG. 9 is a bottom plan view thereof.

The broken line showing of a seat, reel and part of a fishing rod in FIG. 1 is for illustrative purposes only and forms no part of the claimed design.

1 Claim, 3 Drawing Sheets



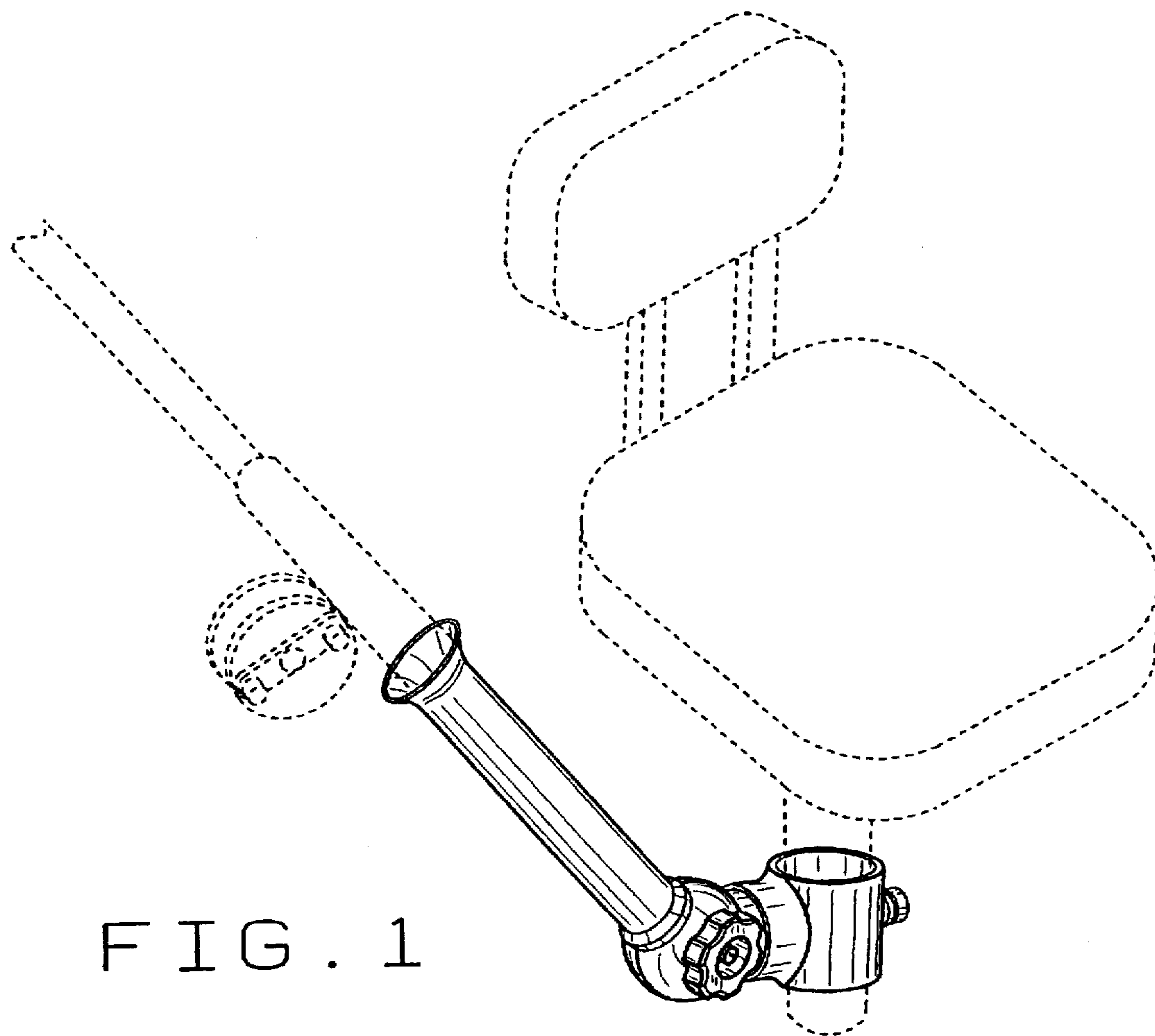


FIG. 1

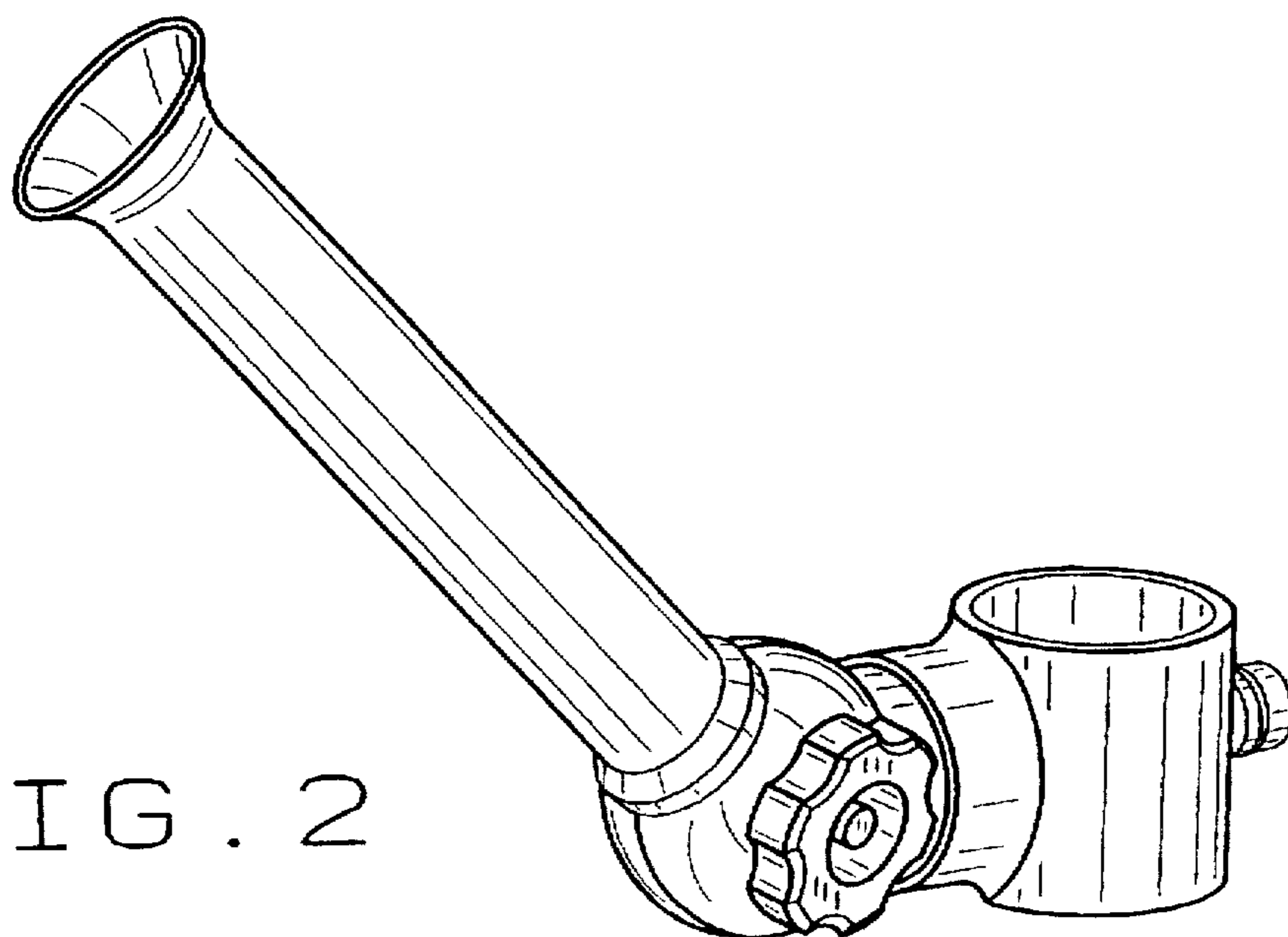


FIG. 2

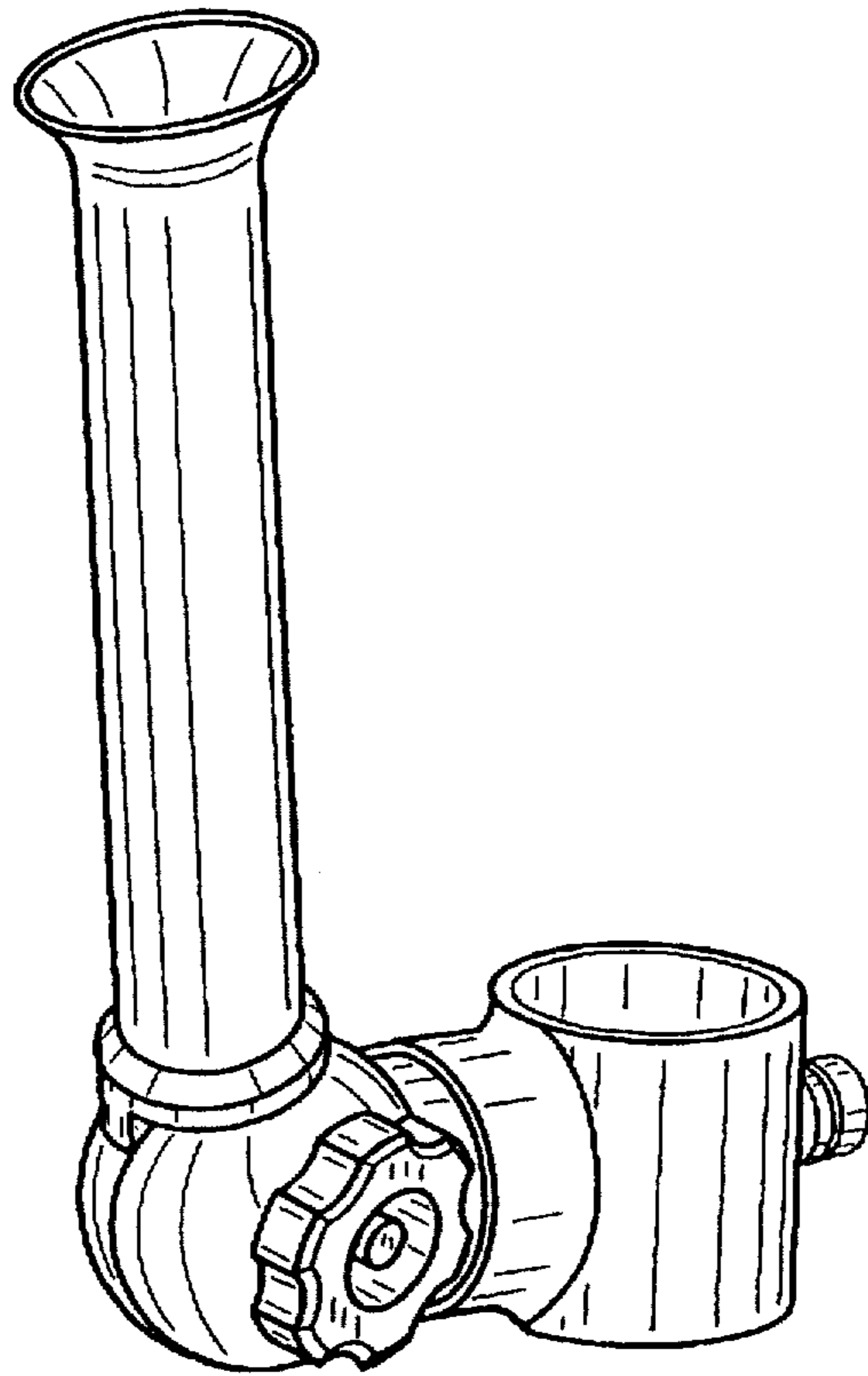


FIG. 3

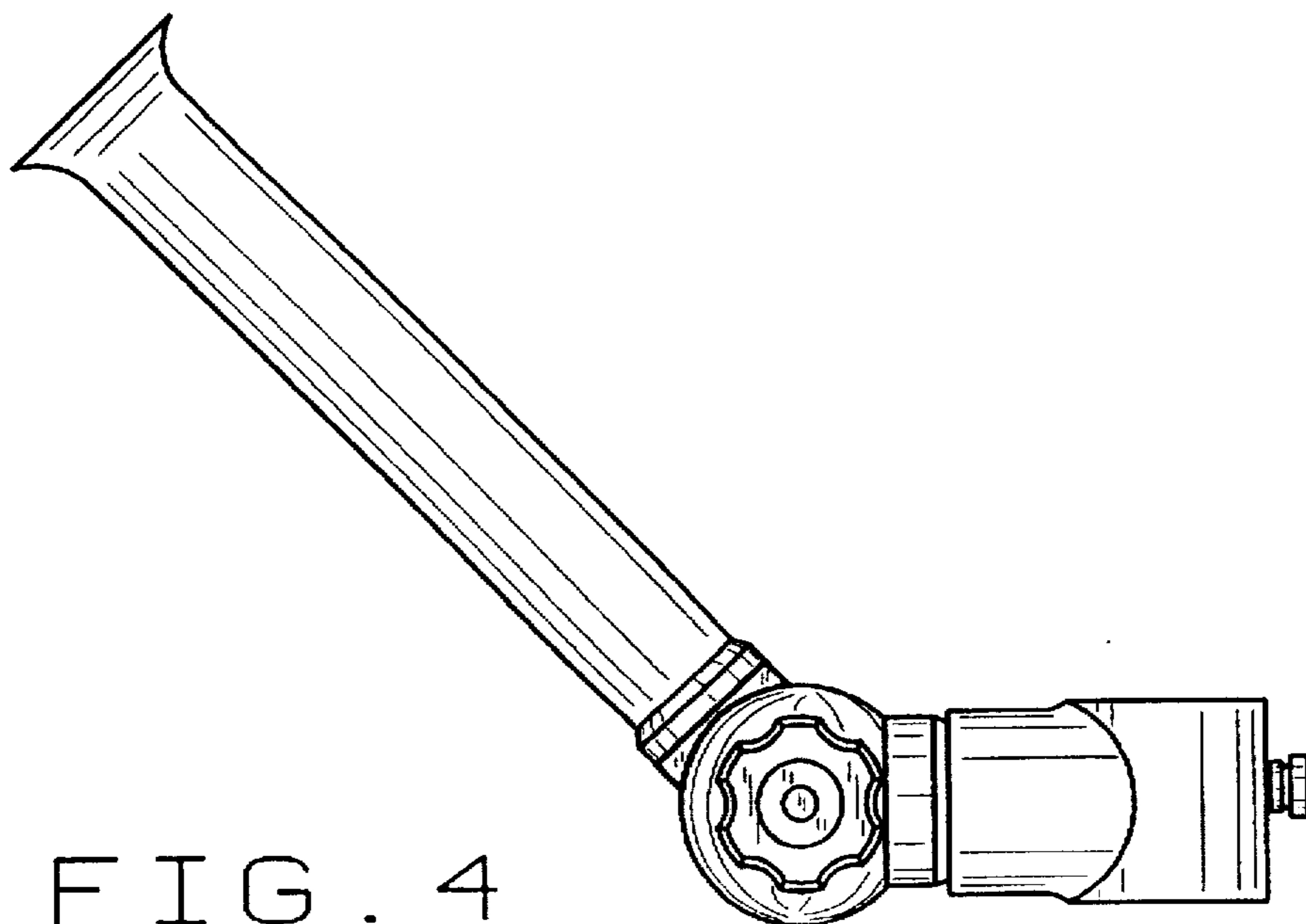


FIG. 4

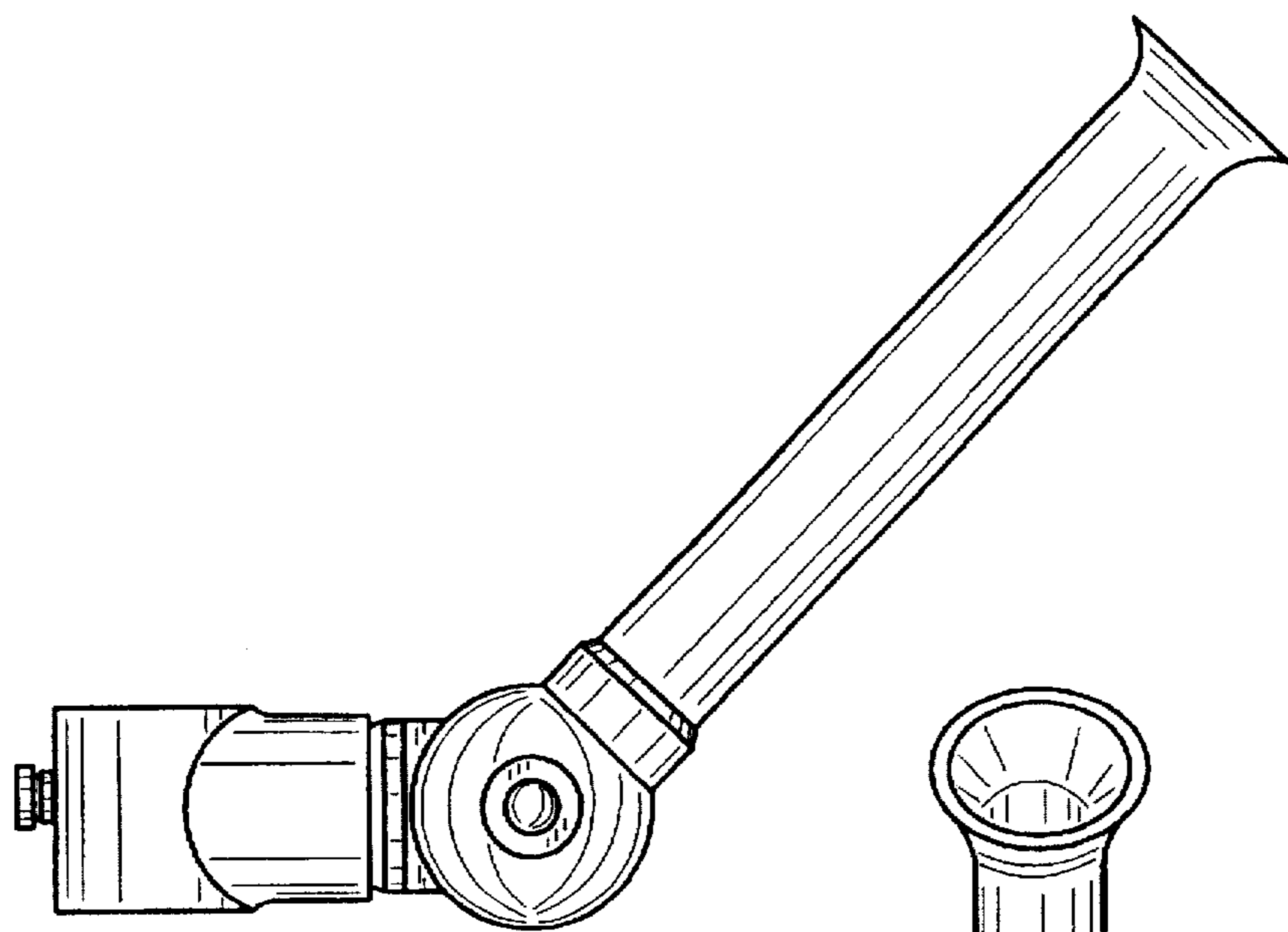


FIG. 5

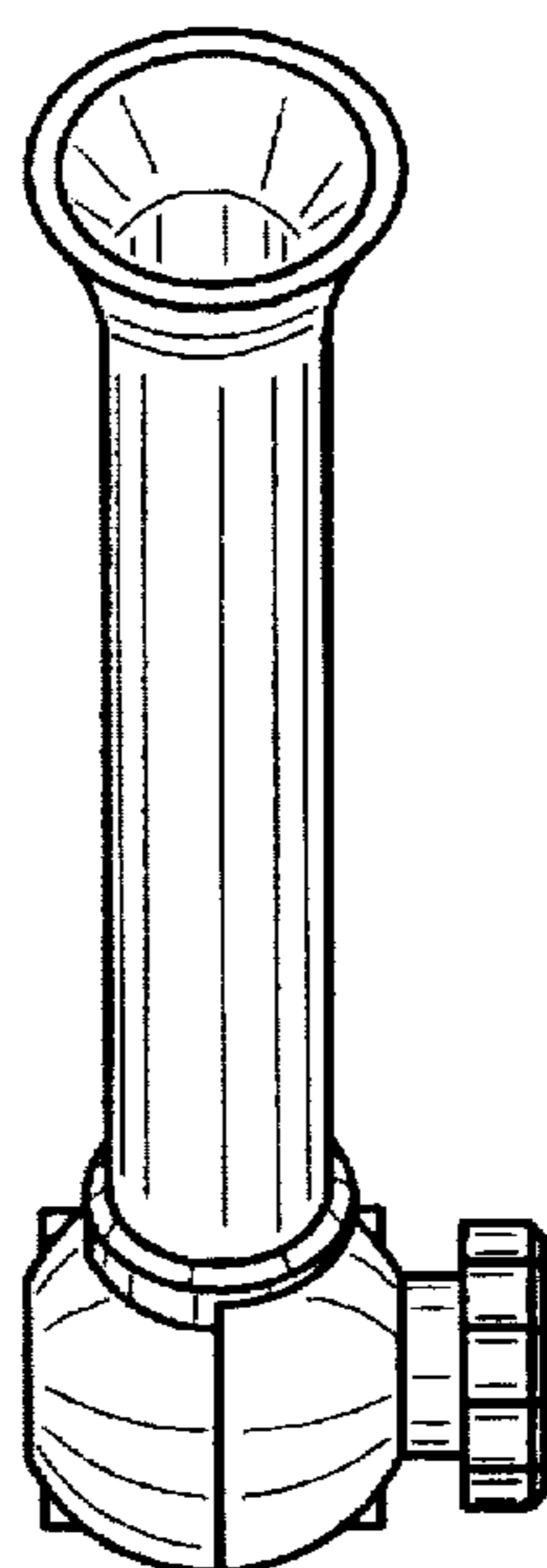


FIG. 6

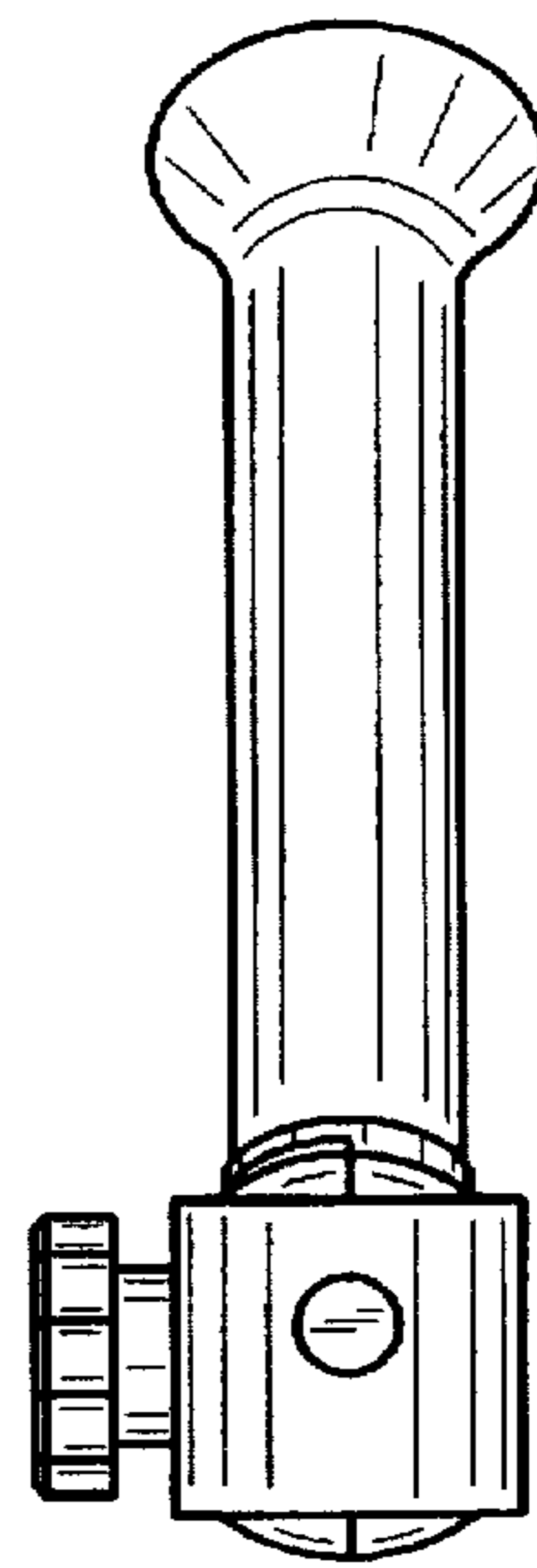


FIG. 7

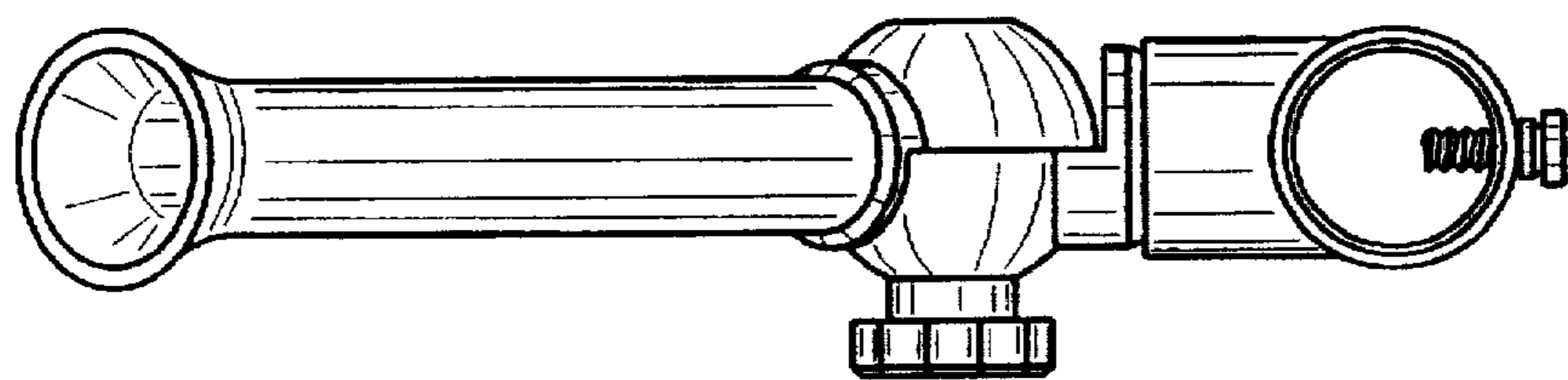


FIG. 8

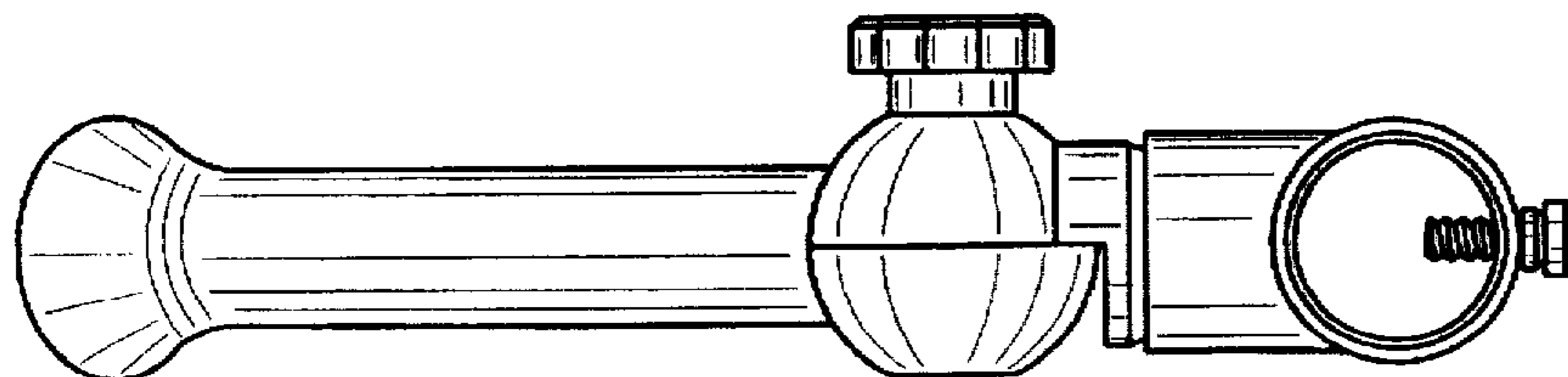


FIG. 9