



US00D390307S

United States Patent [19]
Ohmura

[11] **Patent Number:** **Des. 390,307**
[45] **Date of Patent:** ****Feb. 3, 1998**

[54] **REEL SEAT FOR FISHING ROD**

[75] **Inventor:** **Ryuichi Ohmura, Shizuoka, Japan**
[73] **Assignee:** **Fuji Kogyo Co., Ltd., Shizuoka-ken, Japan**
[**] **Term:** **14 Years**

[21] **Appl. No.:** **63,488**
[22] **Filed:** **Dec. 9, 1996**

[30] **Foreign Application Priority Data**
Jun. 21, 1996 [JP] Japan 8-18548

[51] **LOC (6) Cl.** **22-05**
[52] **U.S. Cl.** **D22/142**
[58] **Field of Search** **D22/142; 43/22, 43/20, 18.1**

[56] **References Cited**

U.S. PATENT DOCUMENTS

D. 196,518 10/1963 Aschburner .
D. 294,628 3/1988 Rumbaugh D22/142
D. 321,744 11/1991 Naeki et al. D22/142
4,083,141 4/1978 Shedd et al. 43/22

OTHER PUBLICATIONS

Featherweight Products catalog, p. 5 (1971).
ALLAN Tackle Manufacturing Co., Inc. catalog, p. 17.
AFTCO catalog, page containing reel seats.
Stuart Industries, Inc. catalog, p. 3.
Orvis Spring 1991, p. 21, Reel Seats.

Primary Examiner—Doris V. Coles
Attorney, Agent, or Firm—Evenson, McKeown, Edwards & Lenahan, P.L.L.C.

[57] **CLAIM**

The ornamental design for reel seat for fishing rod, as shown and described.

DESCRIPTION

FIG. 1 is a perspective view of reel seat for fishing rod embodying my new design;
FIG. 2 is a top plan view thereof;
FIG. 3 is a front elevational view the rear being a mirror image thereof;
FIG. 4 is a bottom plan view thereof;
FIG. 5 is a left side elevational view thereof; and,
FIG. 6 is a right side elevational plan view thereof.

1 Claim, 1 Drawing Sheet

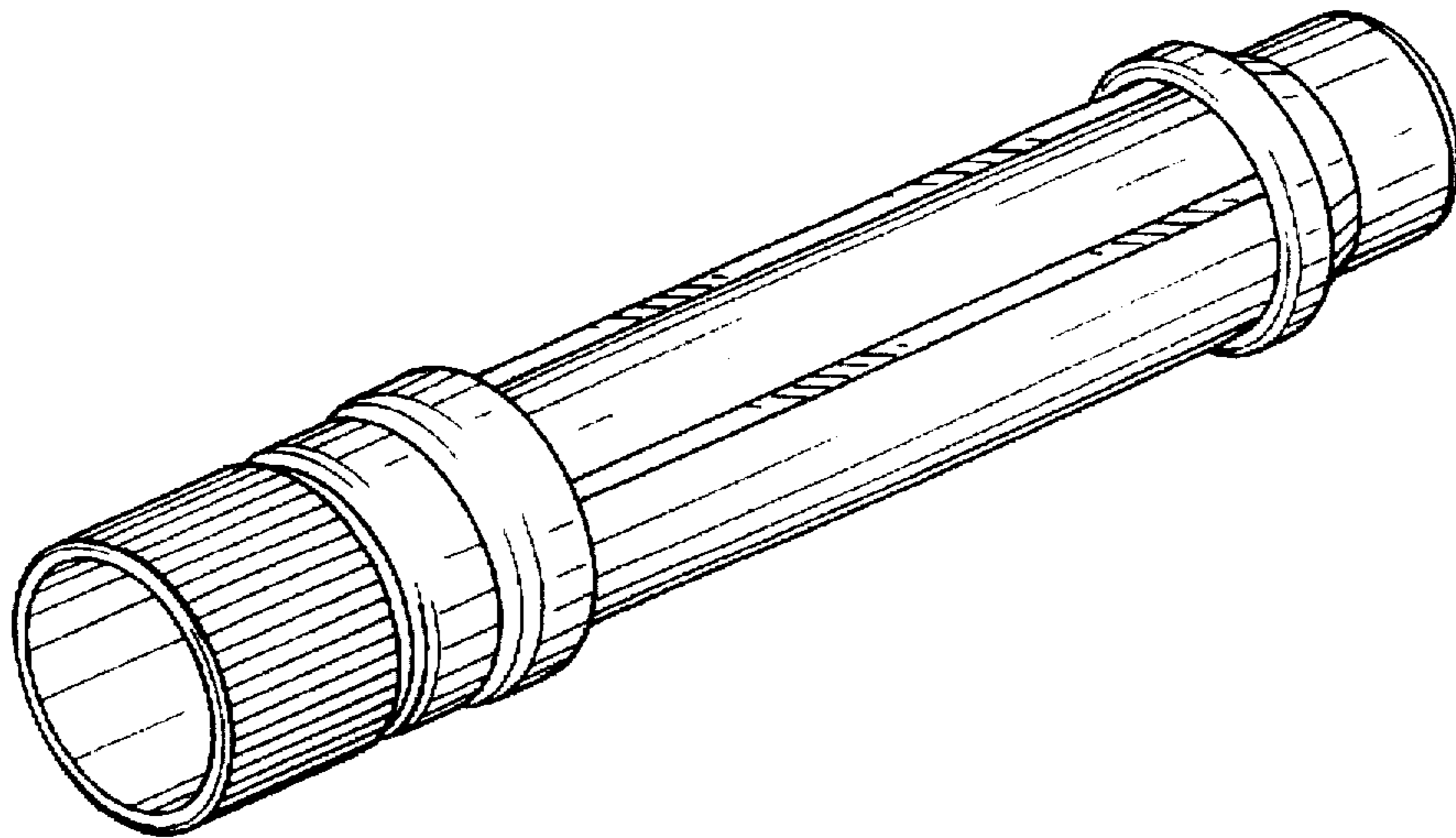


FIG. 1

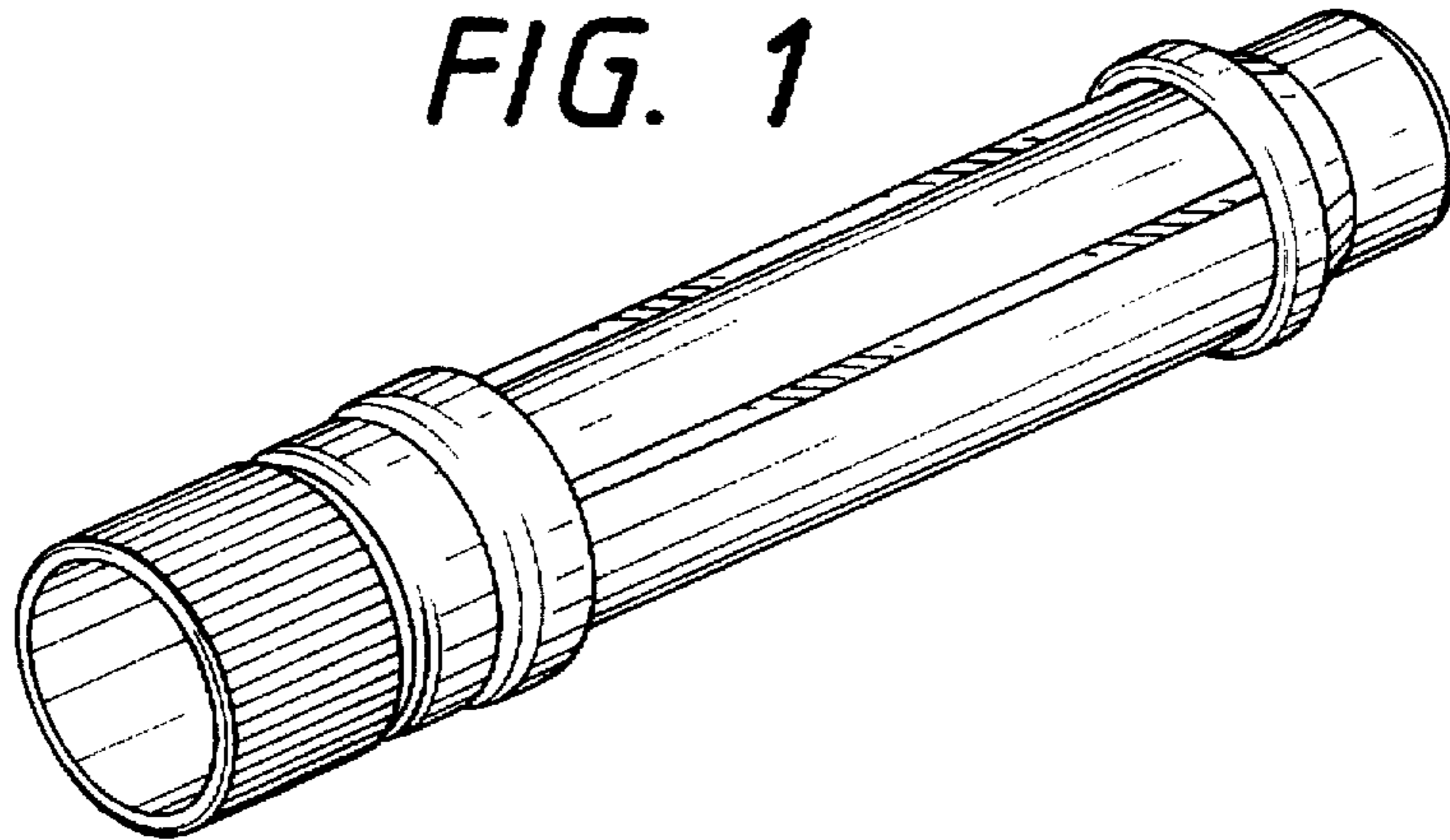


FIG. 2

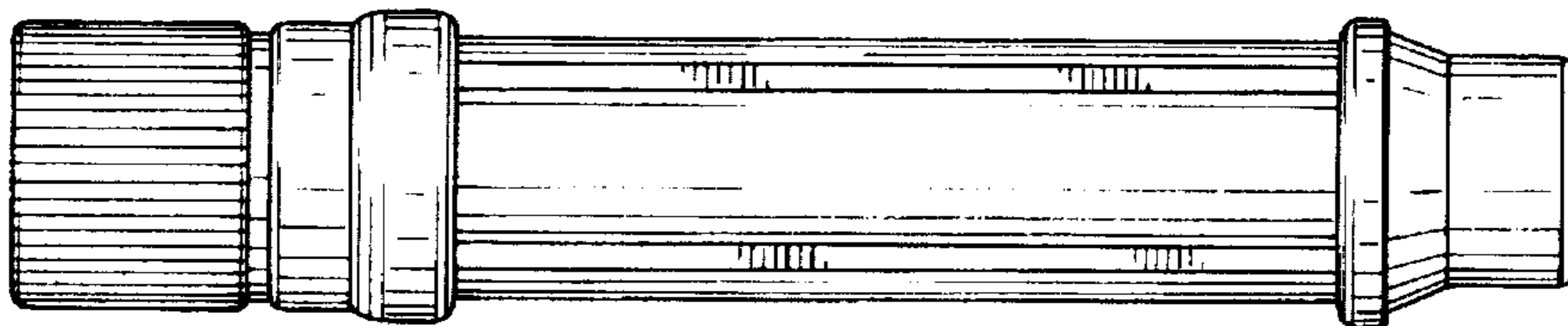


FIG. 3

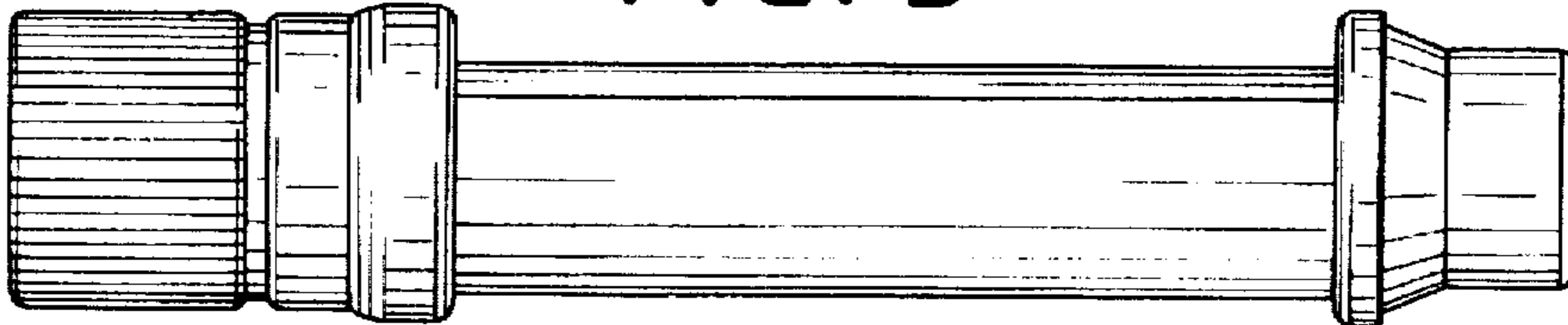


FIG. 4

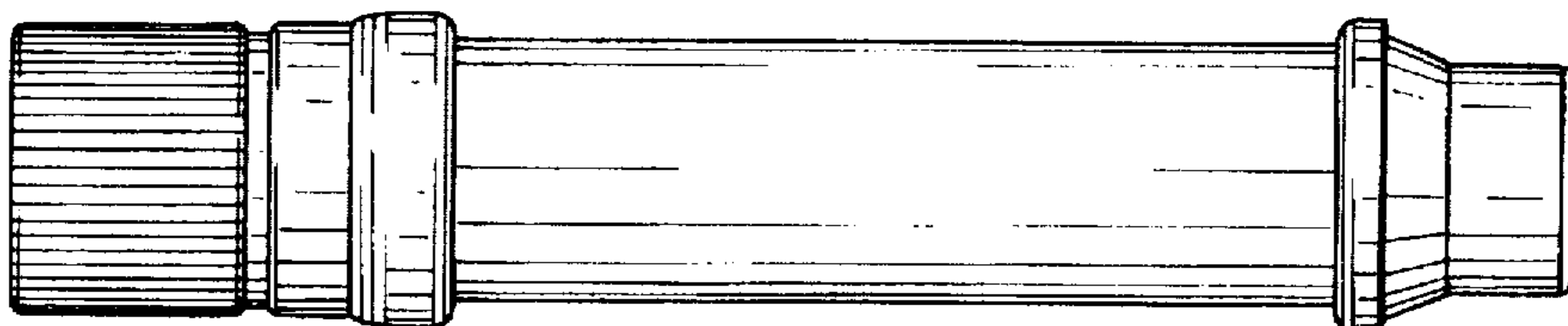


FIG. 5

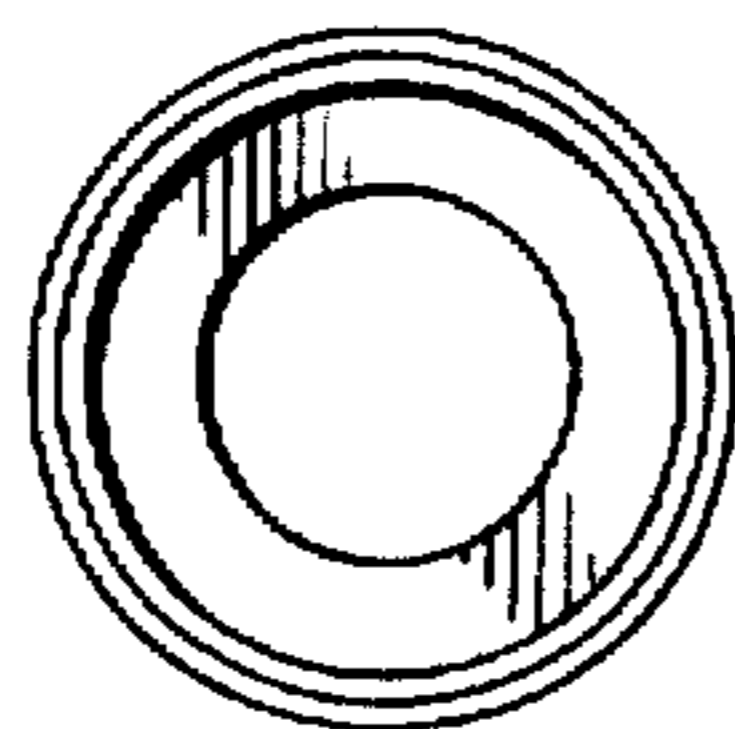


FIG. 6

