



US00D390305S

United States Patent [19]

[11] Patent Number: **Des. 390,305**

Dickson et al.

[45] Date of Patent: ****Feb. 3, 1998**

[54] **INSECT BAIT STATION**

[75] Inventors: **Dane Dickson**, Pleasanton; **Frank Knafelc**, Lafayette; **Ronald E. Heiskell**, Tracy; **Ezra A. Theys**, San Mateo; **David E. Kolarich**, Walnut Creek, all of Calif.

[73] Assignee: **The Clorox Company**, Oakland, Calif.

[**] Term: **14 Years**

[21] Appl. No.: **38,346**

[22] Filed: **May 4, 1995**

[51] LOC (6) Cl. **22-06**

[52] U.S. Cl. **D22/122**

[58] Field of Search **D22/119, 122;**
43/114, 121, 131, 132.1, 124

[56] **References Cited**

U.S. PATENT DOCUMENTS

D. 246,854	1/1978	Baker	D22/119
D. 273,032	3/1984	Woodruff .	
D. 275,875	10/1984	Woodruff .	
D. 278,842	5/1985	Woodruff .	
D. 298,160	10/1988	Gatarz	D22/122
D. 306,197	2/1990	Demarest et al.	D22/122
D. 323,871	2/1992	Nitta	D22/122
D. 326,702	6/1992	Demarest	D22/119
D. 326,890	6/1992	Mares	D22/119
D. 329,681	9/1992	Demarest et al.	D22/122
D. 362,045	9/1995	Demarest	D22/119
D. 366,689	1/1996	Mares et al.	D22/122
986,015	3/1911	Lambert	43/121
1,135,159	4/1915	Cox	43/121
1,471,986	10/1923	Voges	43/121
1,797,743	3/1931	Wesson .	
1,856,200	5/1932	Tippex	43/131
1,887,771	11/1932	Marsh	43/131
2,710,485	6/1955	Starr	43/131
4,173,093	11/1979	Nakai	43/121

4,263,740	4/1981	Hemsarth	43/114
4,423,564	1/1984	Davies et al. .	
4,563,836	1/1986	Woodruff et al.	43/131
4,761,912	8/1988	Dyer et al.	43/121
4,823,506	4/1989	Demarest	43/131
4,837,969	6/1989	Demarest	43/131
4,894,947	1/1990	Brandli	43/131
5,033,229	7/1991	Demarest et al.	43/131
5,040,327	8/1991	Stack et al.	43/131
5,048,225	9/1991	Brandli	43/131
5,090,153	2/1992	Mullen et al.	43/114
5,357,709	10/1994	Lin	43/131
5,548,922	8/1996	Wefler	43/131

Primary Examiner—Doris V. Coles
Attorney, Agent, or Firm—Harry A. Pacini

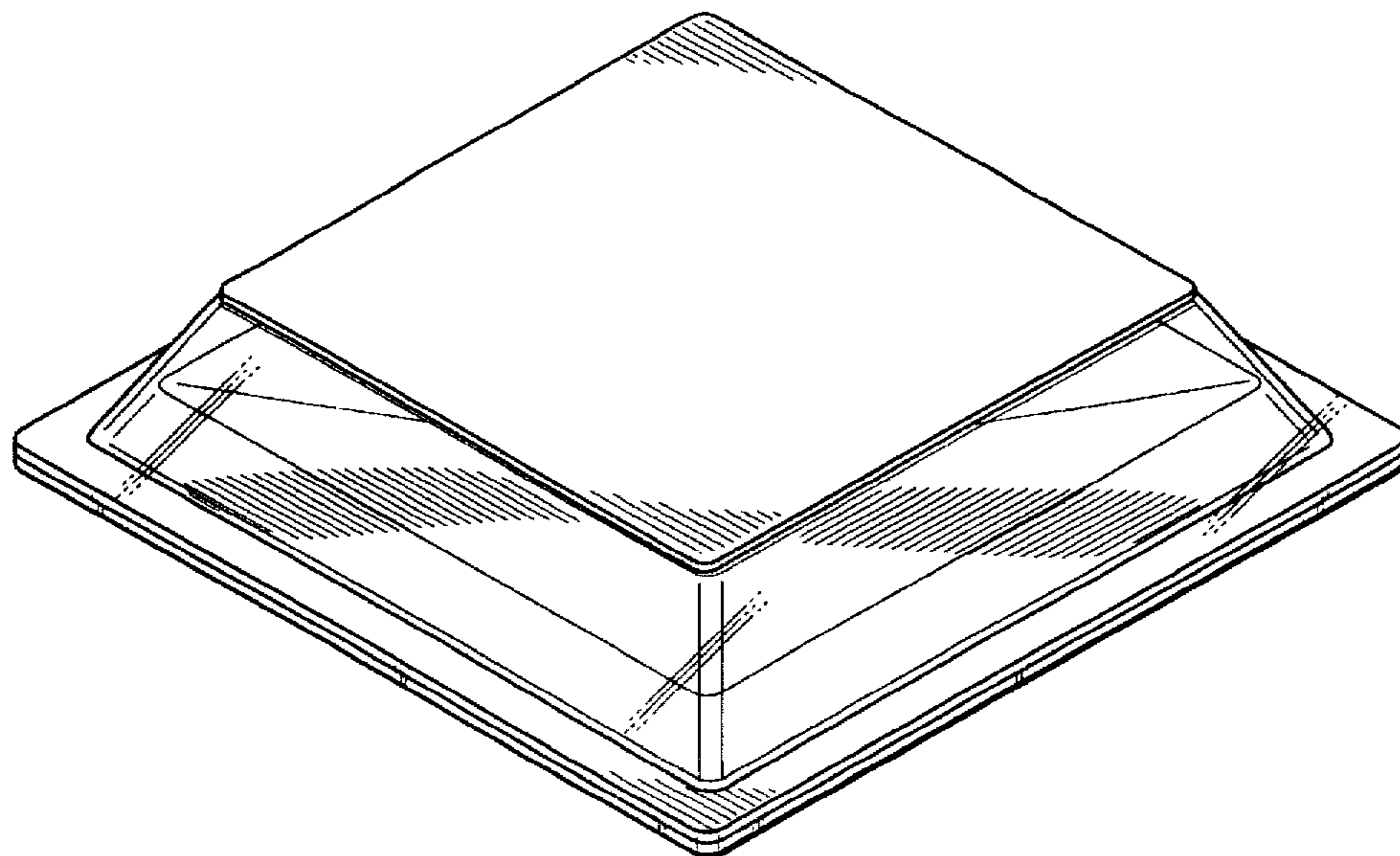
[57] **CLAIM**

The ornamental design for an insect bait station, as described and shown.

DESCRIPTION

FIG. 1 is a perspective view of an insect bait station showing our new design with a cover in place;
 FIG. 2 is a perspective view of an insect bait station of FIG. 1 showing our new design with the cover removed;
 FIG. 3 is a front elevational view, the sides and the back side being mirror images thereof;
 FIG. 4 is a top plan view of the bait station of FIG. 2;
 FIG. 5 is a bottom plan view of the bait station of FIG. 2;
 FIG. 6 is a perspective view of an alternative embodiment of our new design with a cover in place;
 FIG. 7 is a perspective view of an alternative embodiment of our new design of FIG. 6 with the cover removed;
 FIG. 8 is a side elevational view of an alternative embodiment thereof;
 FIG. 9 is a top plan view of an alternative embodiment of the bait station of FIG. 7; and
 FIG. 10 is a bottom plan view of an alternative embodiment of the bait station of FIG. 7.

1 Claim, 4 Drawing Sheets



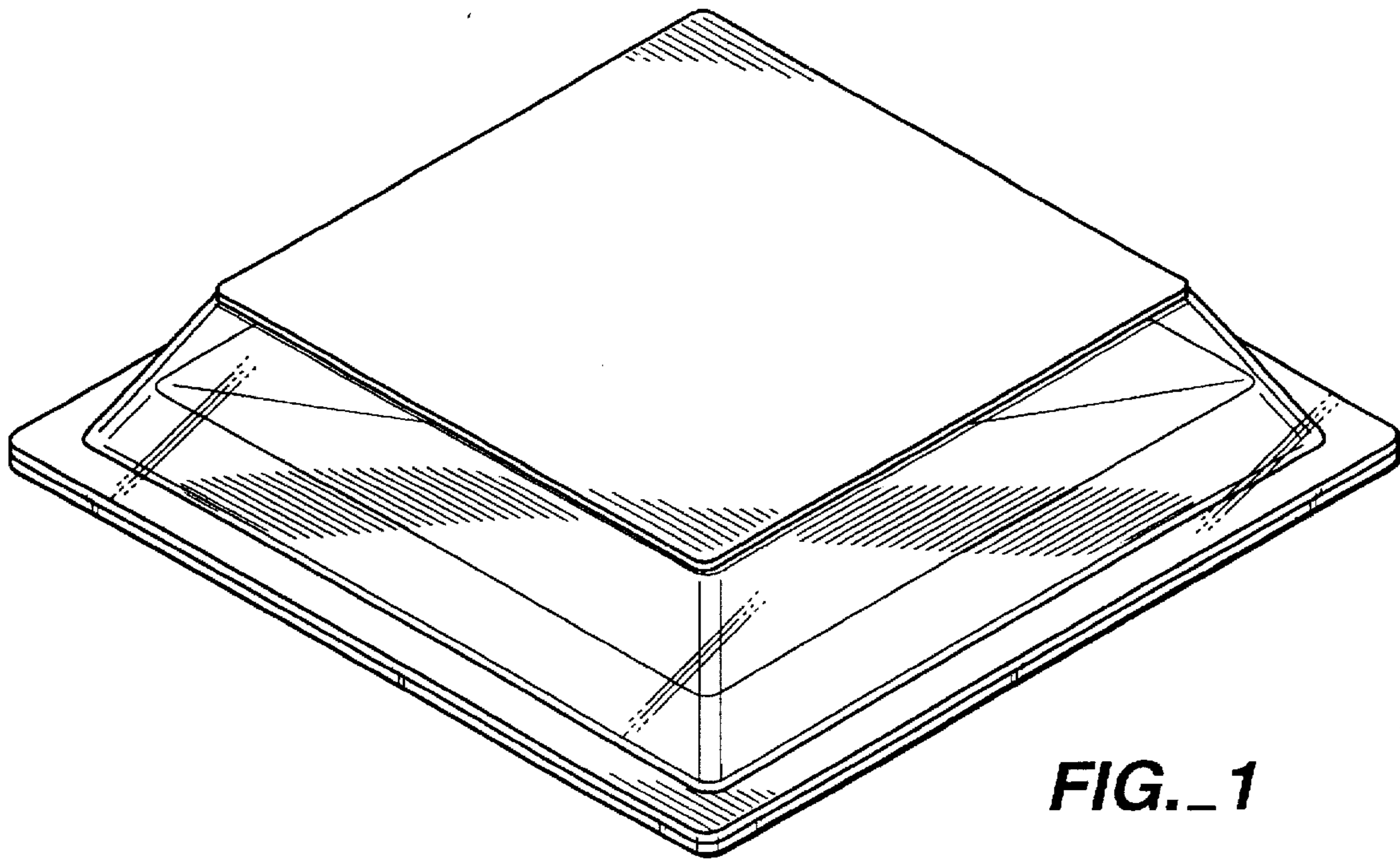


FIG._1

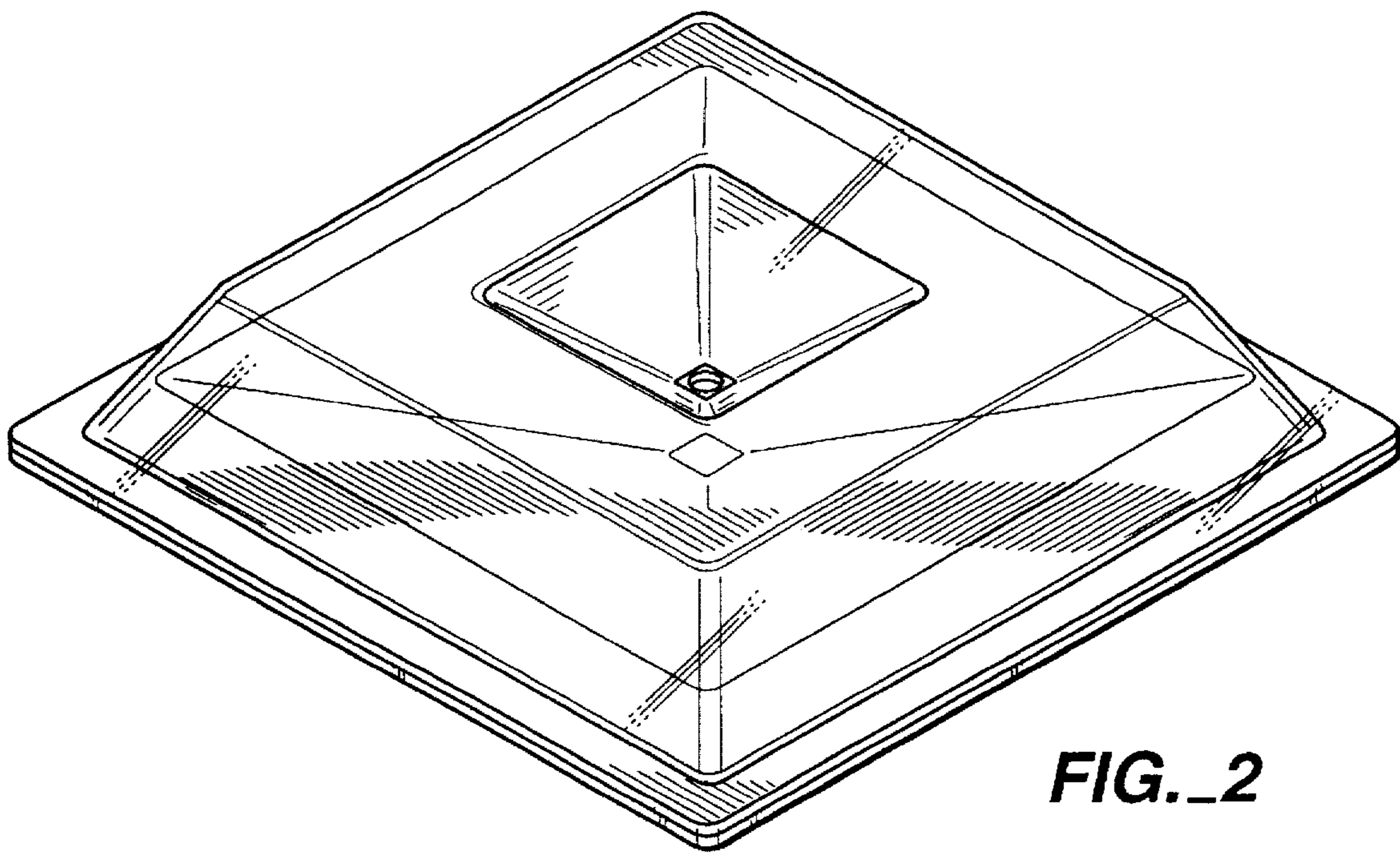


FIG._2

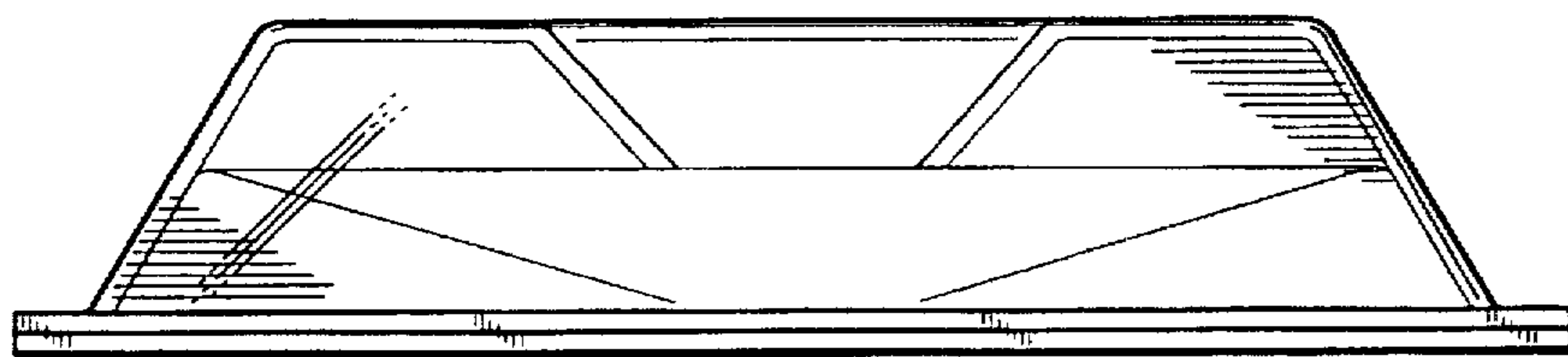


FIG._3

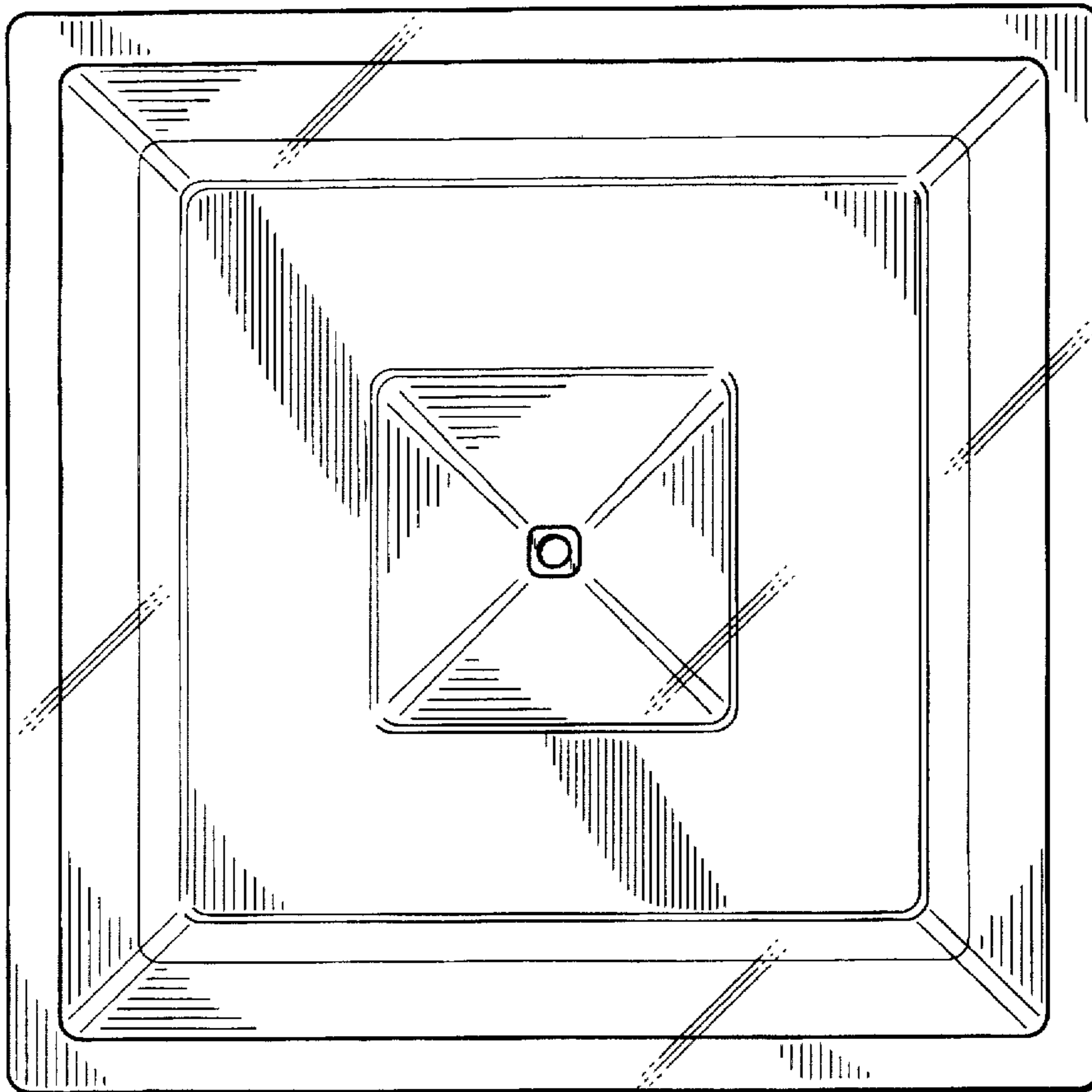


FIG. 4

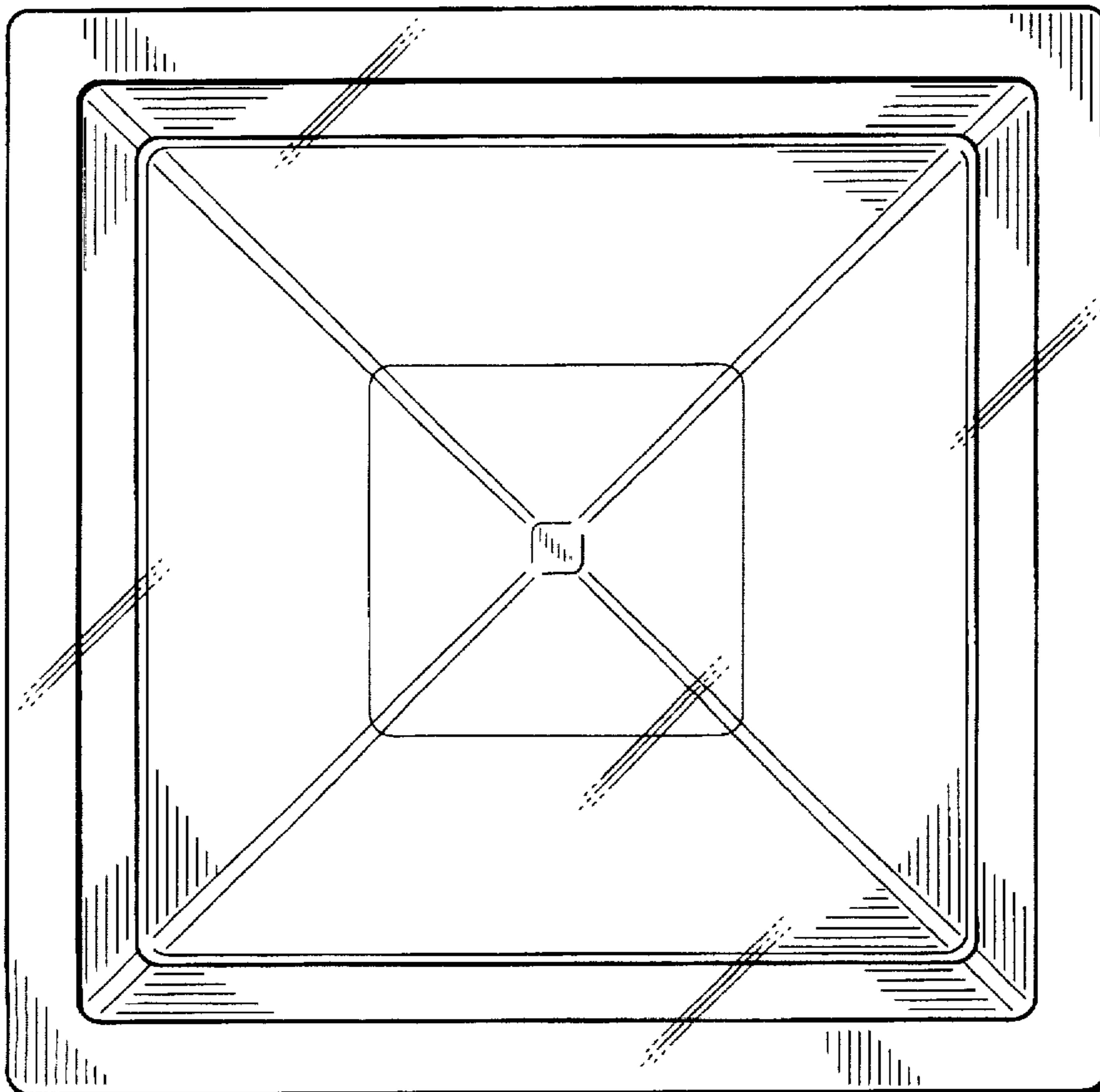


FIG. 5

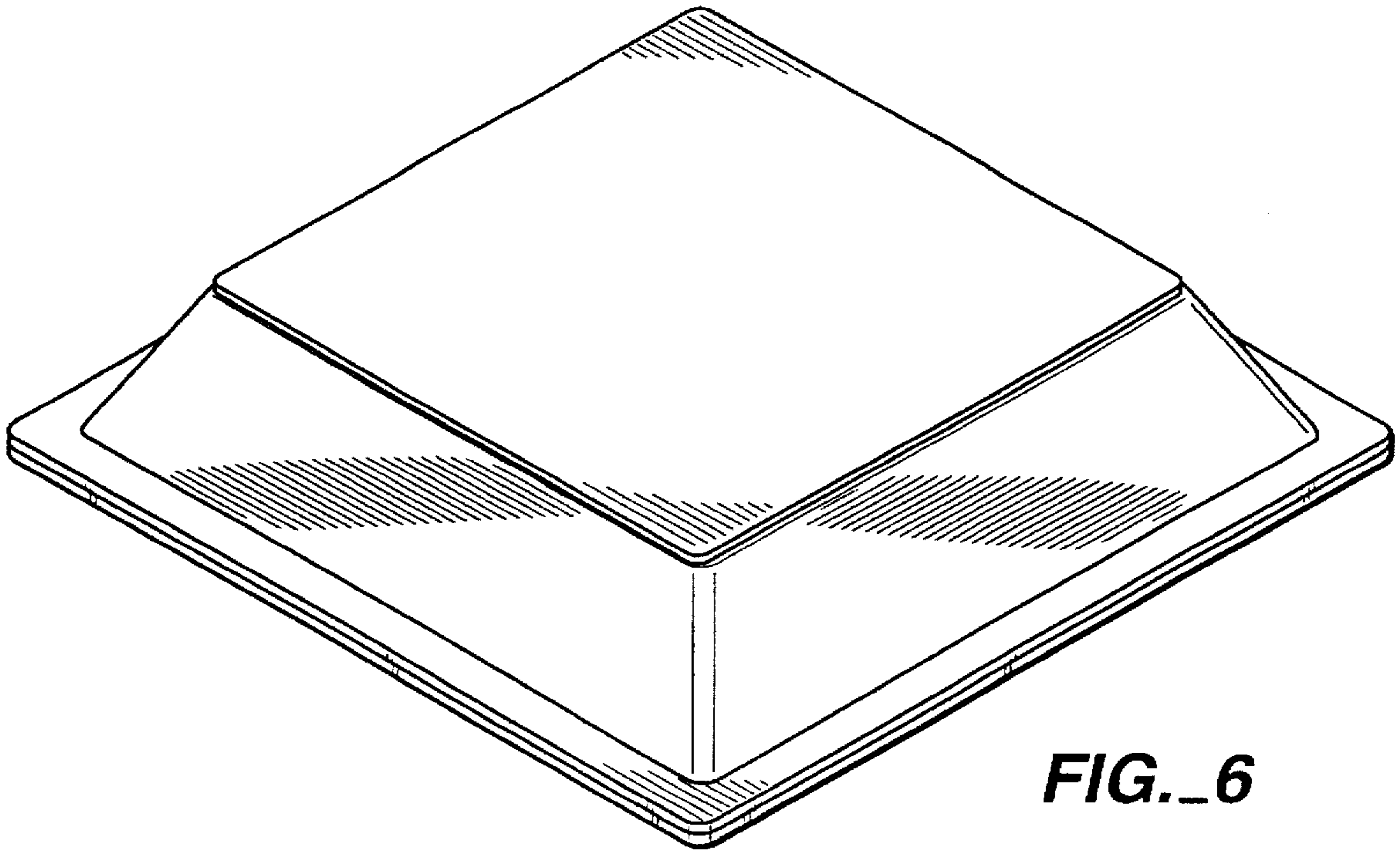


FIG._6

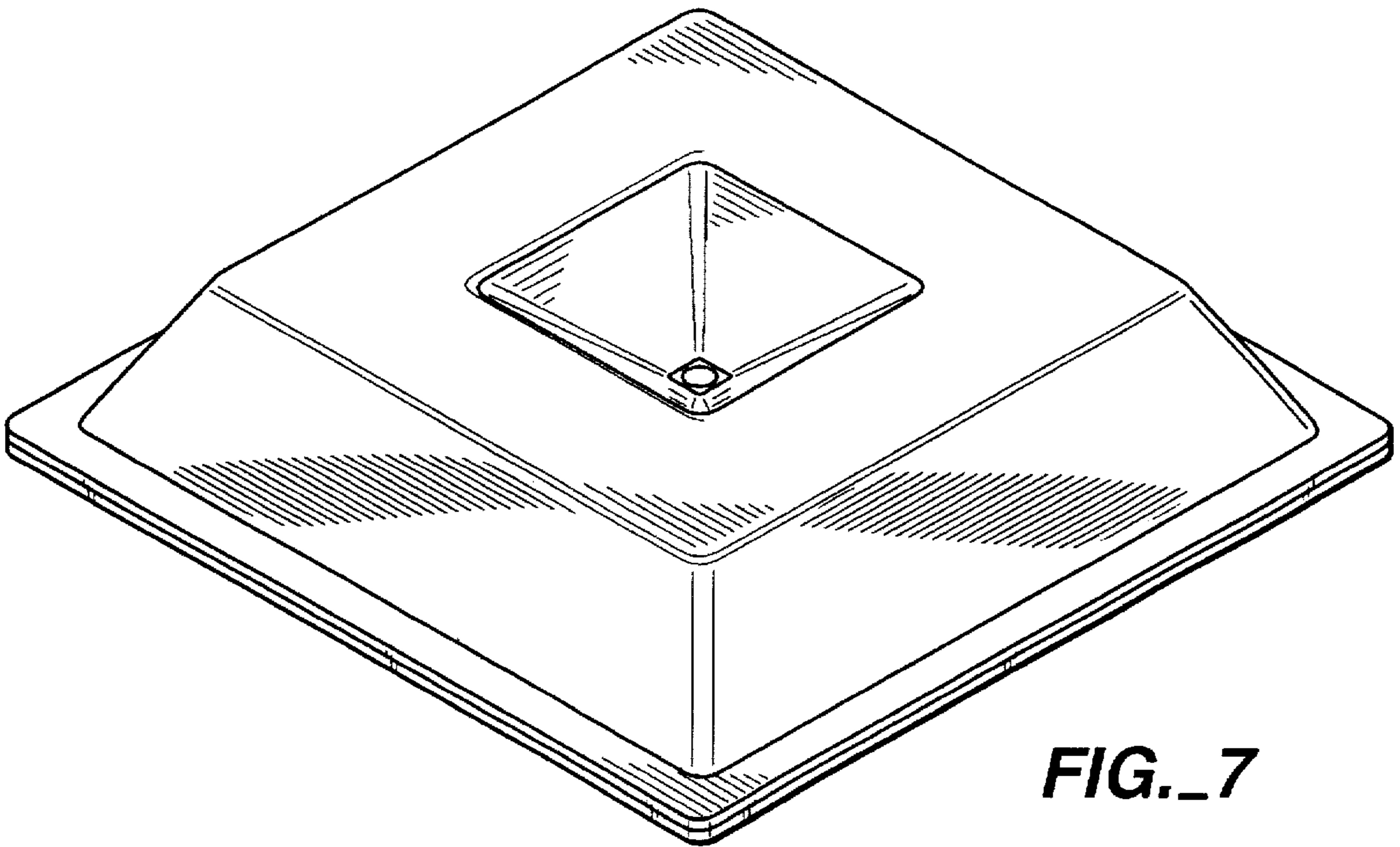


FIG._7

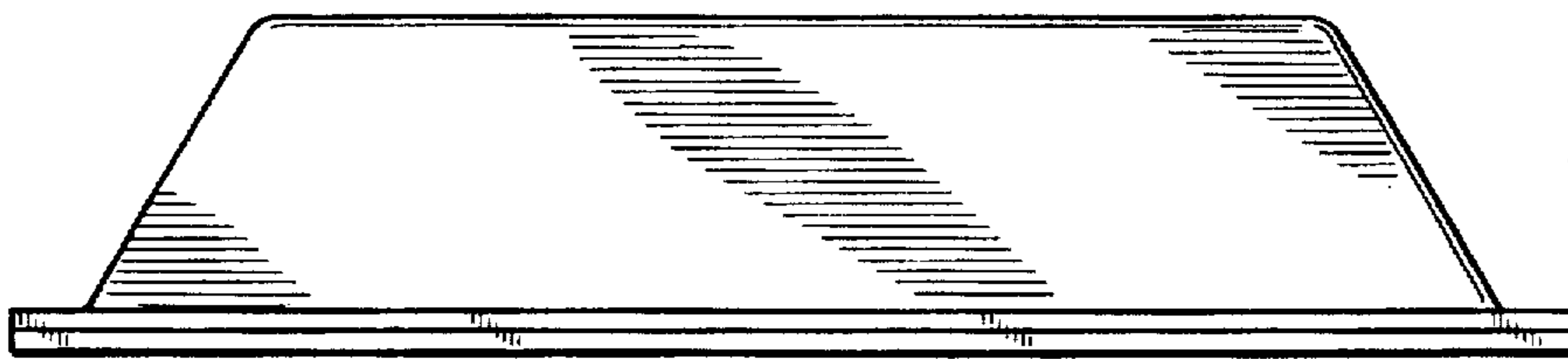


FIG._8

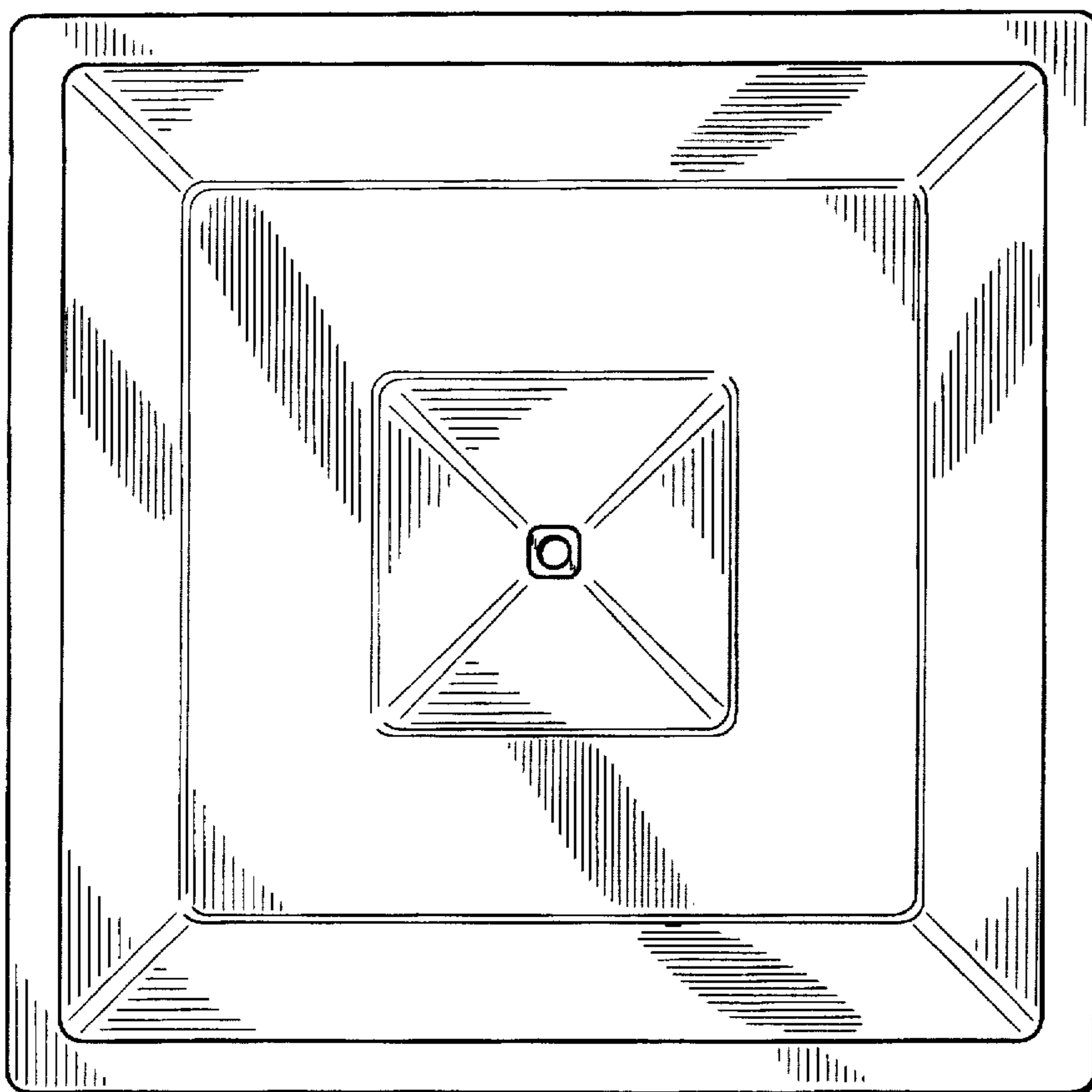


FIG. 9

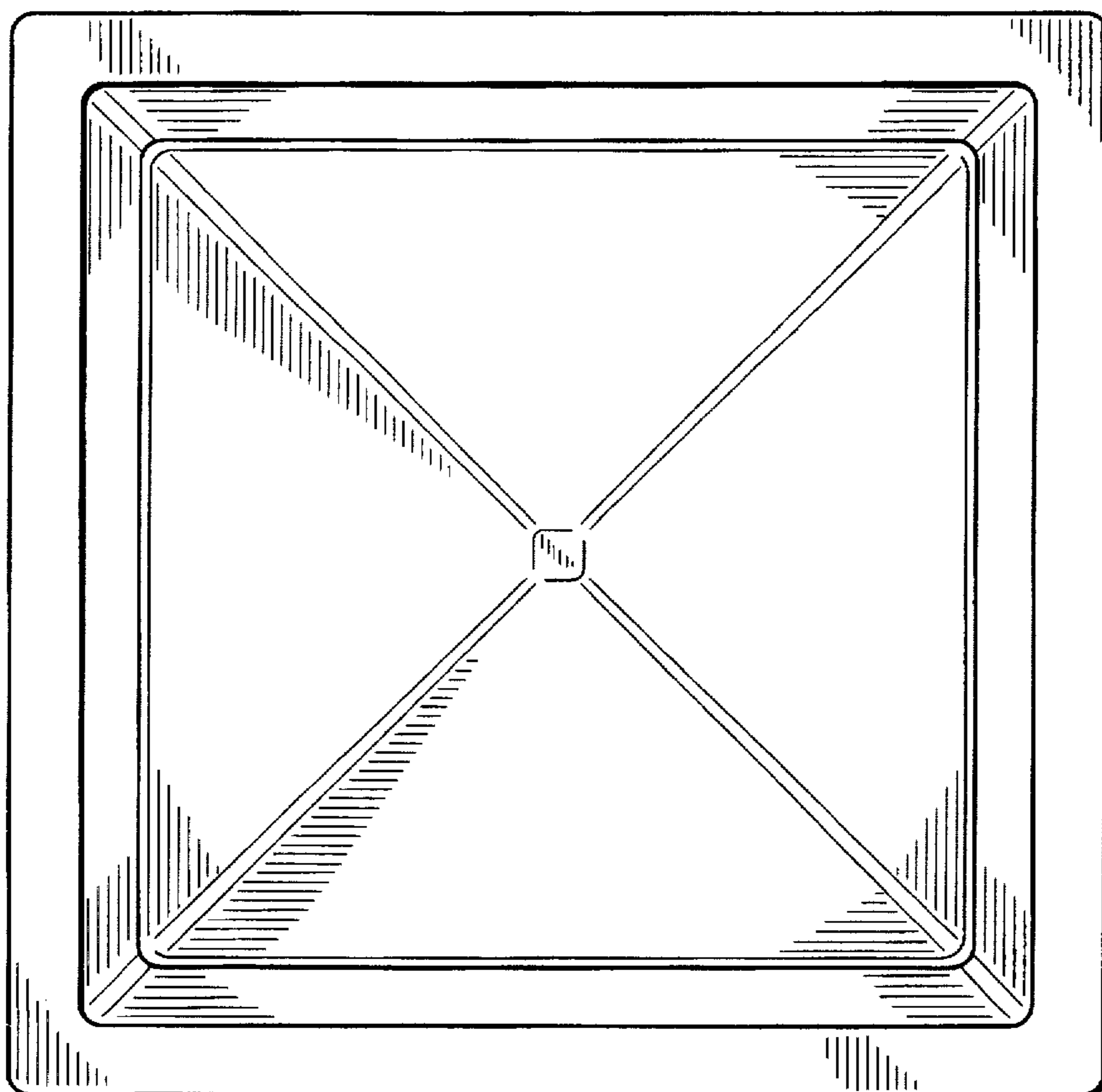


FIG. 10