



US00D390301S

**United States Patent** [19]  
**Peterson**

[11] **Patent Number:** **Des. 390,301**  
[45] **Date of Patent:** **\*\*Feb. 3, 1998**

[54] **TELESCOPING BIPOD GUN SUPPORT**

[76] **Inventor:** **Thomas K. M. Peterson**, 124 Stoney Point Rd., Courtland, Minn. 56021

[\*\*] **Term:** **14 Years**

[21] **Appl. No.:** **48,412**

[22] **Filed:** **Dec. 28, 1995**

[51] **LOC (6) Cl.** ..... **22-01**

[52] **U.S. Cl.** ..... **D22/108; D22/199**

[58] **Field of Search** ..... **D22/100, 108, D22/199; 42/94, 100; 248/23.1, 163.1, 148, 168, 175, 309.1, 354.1**

[56] **References Cited**

**U.S. PATENT DOCUMENTS**

D. 356,137	3/1995	Hull et al. ....	D22/108
2,420,267	5/1947	Sefried, 2nd .....	42/94
2,569,435	9/1951	Martin .....	42/94
3,235,997	2/1966	Stoner .....	42/94
3,445,082	5/1969	Proctor et al. ....	42/94 X
3,703,046	11/1972	Barone et al. ....	42/94

*Primary Examiner*—Louis S. Zarfes  
*Assistant Examiner*—Monica A. Weingart  
*Attorney, Agent, or Firm*—Roger W. Jensen

[57] **CLAIM**

The ornamental design for a telescoping bipod gun support, as shown and described.

**DESCRIPTION**

FIG. 1 is a left front perspective view of a telescoping bipod gun support, in open position with the left leg extended, showing my new design;

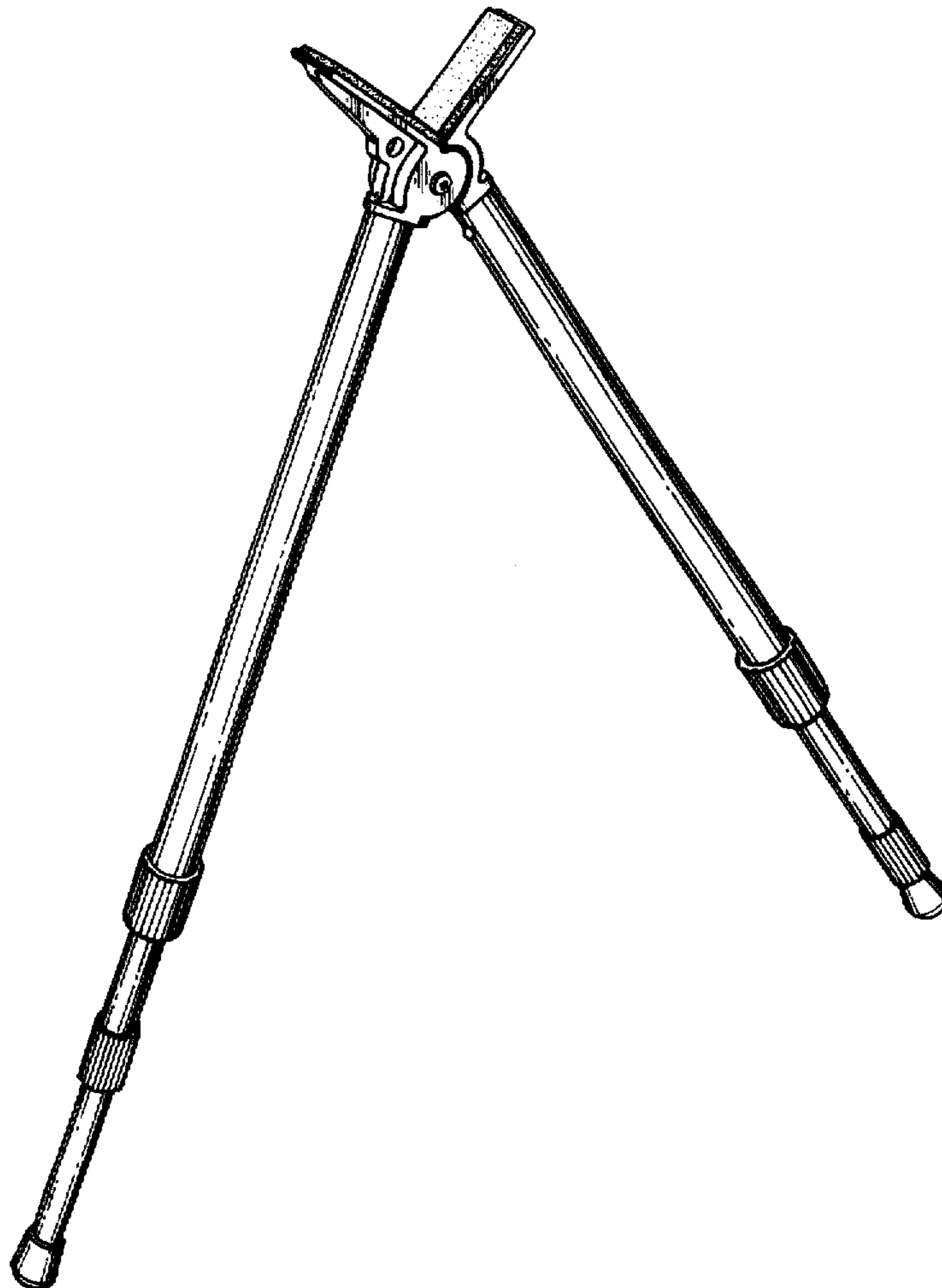
FIG. 2 is a front elevational view, in closed position with both legs extended, the rear view being the same thereof;

FIG. 3 is a right side elevational view, the left side being the same thereof;

FIG. 4 is a top plan view plan taken along the lines 4—4 of FIG. 2 thereof; and,

FIG. 5 is a bottom plan view taken along the lines 5—5 of FIG. 2 thereof.

**1 Claim, 3 Drawing Sheets**



*FIG. 1*

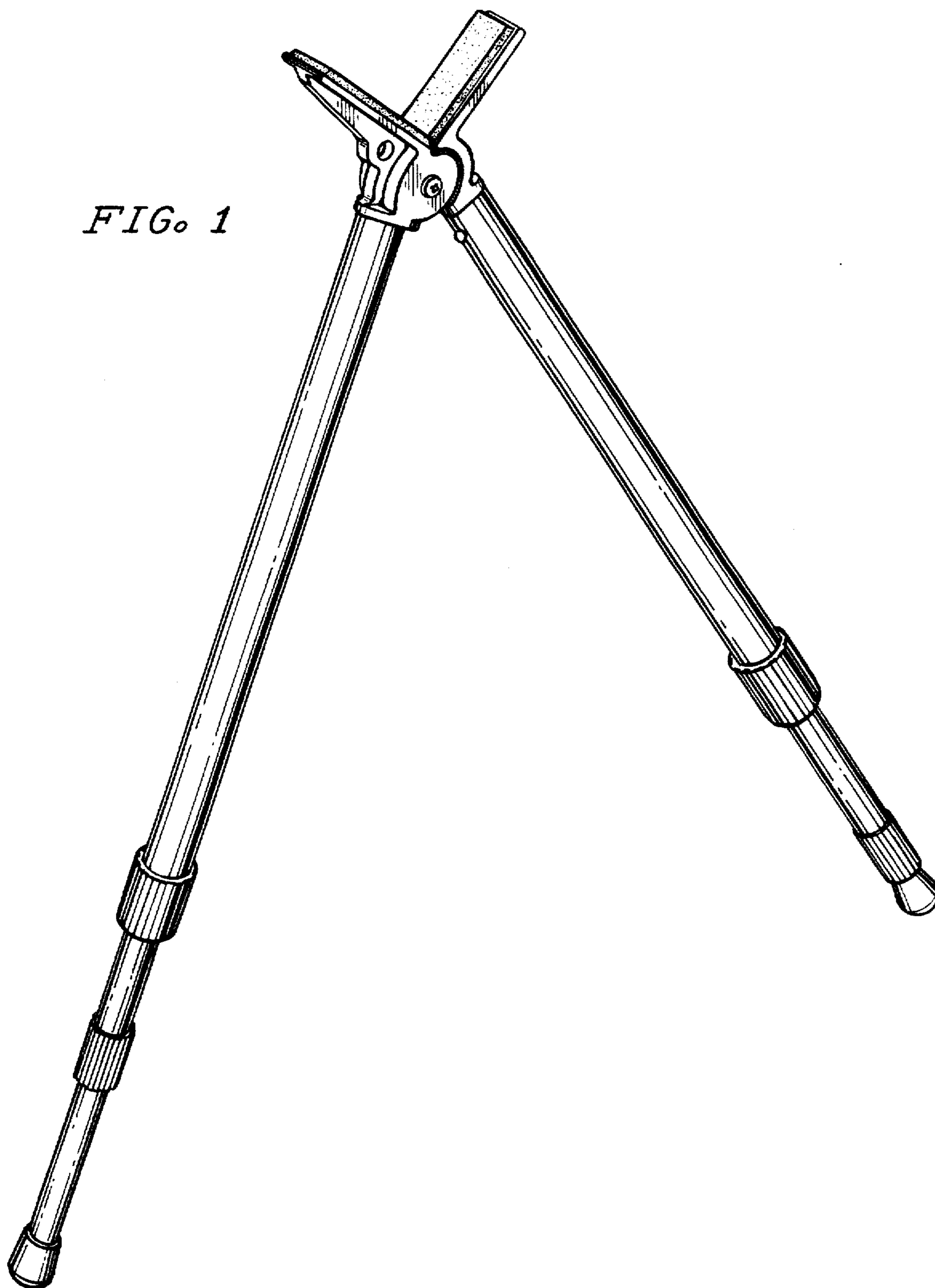


FIG. 2

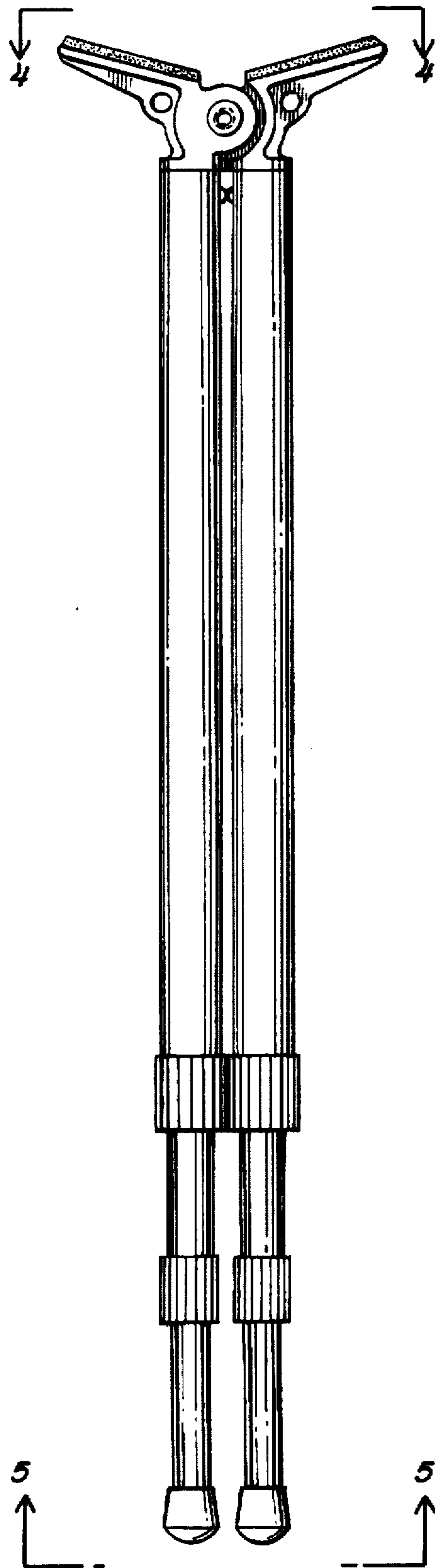
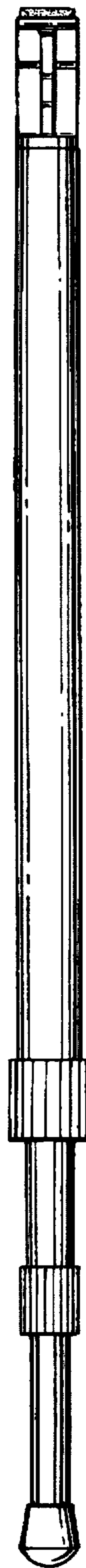
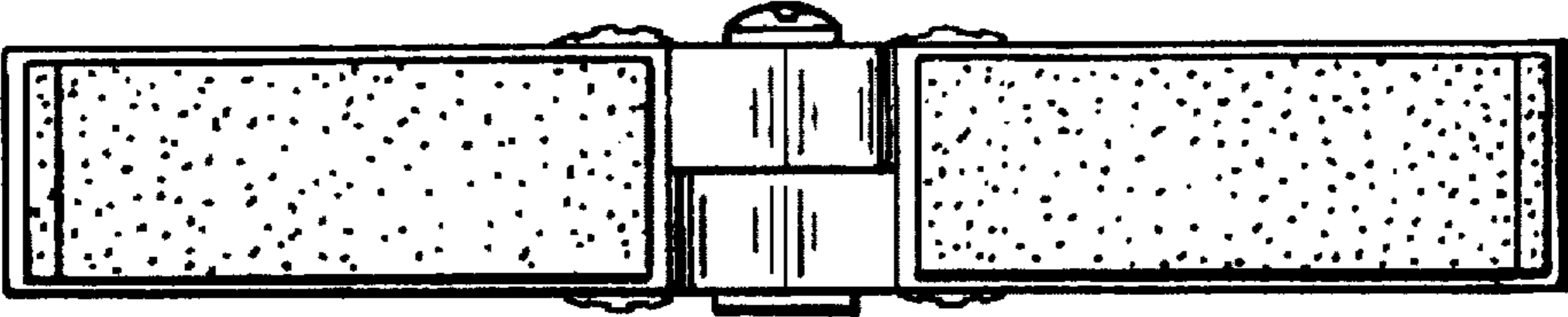


FIG. 3



*FIG. 4*



*FIG. 5*

