

US00D390300S

**United States Patent** [19]  
**Bliss**

[11] **Patent Number:** **Des. 390,300**  
[45] **Date of Patent:** **\*\*Feb. 3, 1998**

[54] **ANCHOR PLUG/PEEP ALIGNER**  
[76] **Inventor:** **John C. Bliss, RD #4, Box 249-3, Tunkhannock, Pa. 18657**  
[\*\*] **Term:** **14 Years**  
[21] **Appl. No.:** **43,088**  
[22] **Filed:** **Aug. 25, 1995**  
[51] **LOC (6) Cl.** ..... **22-01**  
[52] **U.S. Cl.** ..... **D22/107; D22/100; D22/199**  
[58] **Field of Search** ..... **D22/100, 107, D22/199; 124/24.1, 44.5, 87, 88; 42/100; 53/233, 265**

4,449,303 5/1984 Larson ..... 33/265  
4,669,196 6/1987 Kersey ..... 33/265  
5,201,124 4/1993 Sherman ..... 33/265  
5,526,801 6/1996 Cooper ..... 33/265 X

*Primary Examiner*—Doris V. Coles  
*Assistant Examiner*—Monica A. Weingart  
*Attorney, Agent, or Firm*—Harold H. Dutton, Jr.

[57] **CLAIM**

The ornamental design for a anchor plug/peep aligner, as shown.

**DESCRIPTION**

FIG. 1 is a top plan view of the anchor plug/peep aligner showing my new design;  
FIG. 2 is a perspective view thereof; and,  
FIG. 3 is a bottom plan view thereof.

[56] **References Cited**  
**U.S. PATENT DOCUMENTS**  
D. 362,708 9/1995 Brown ..... D22/107  
4,026,032 5/1977 Smith ..... 124/87 X

**1 Claim, 1 Drawing Sheet**

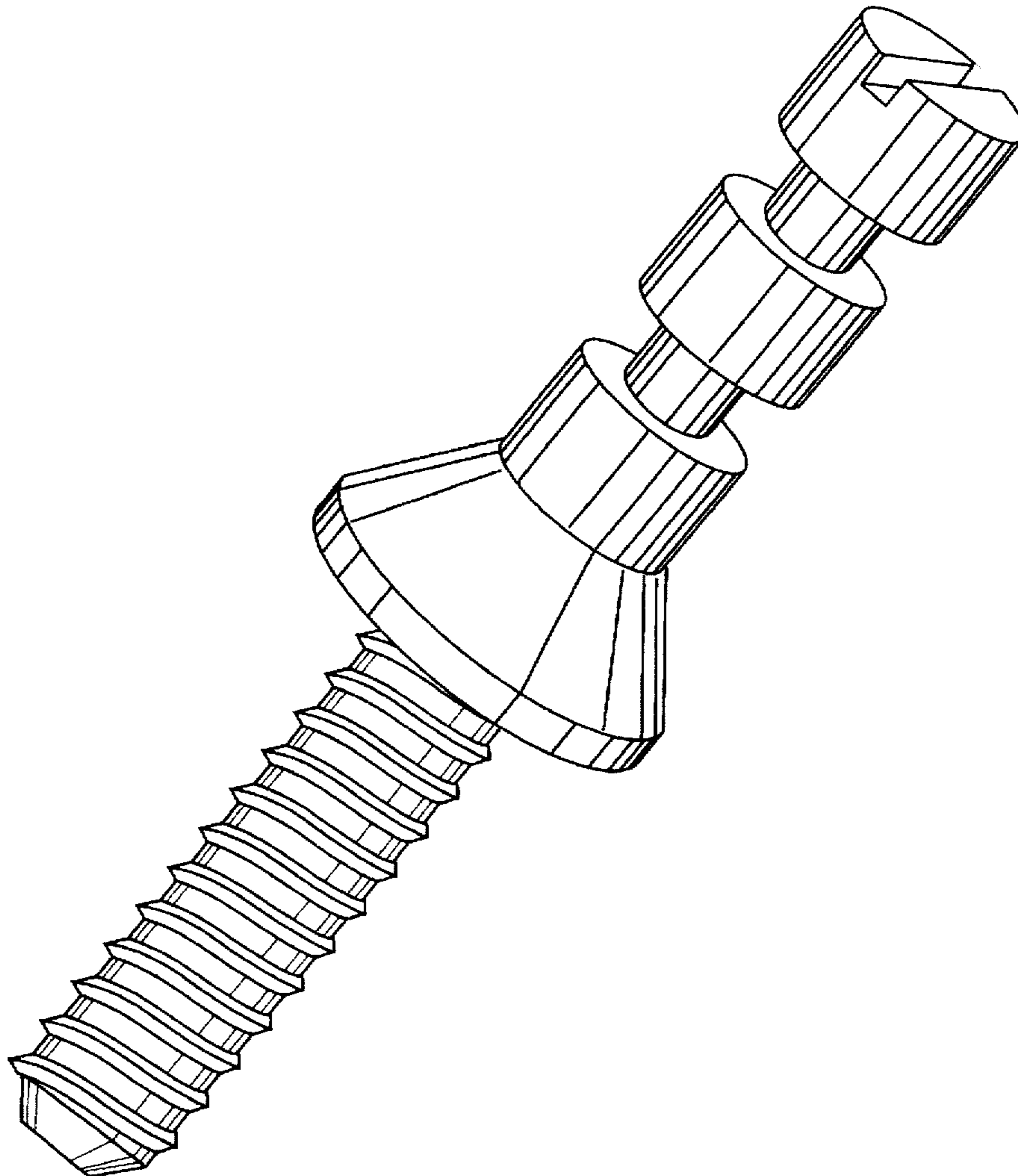


FIG. 1

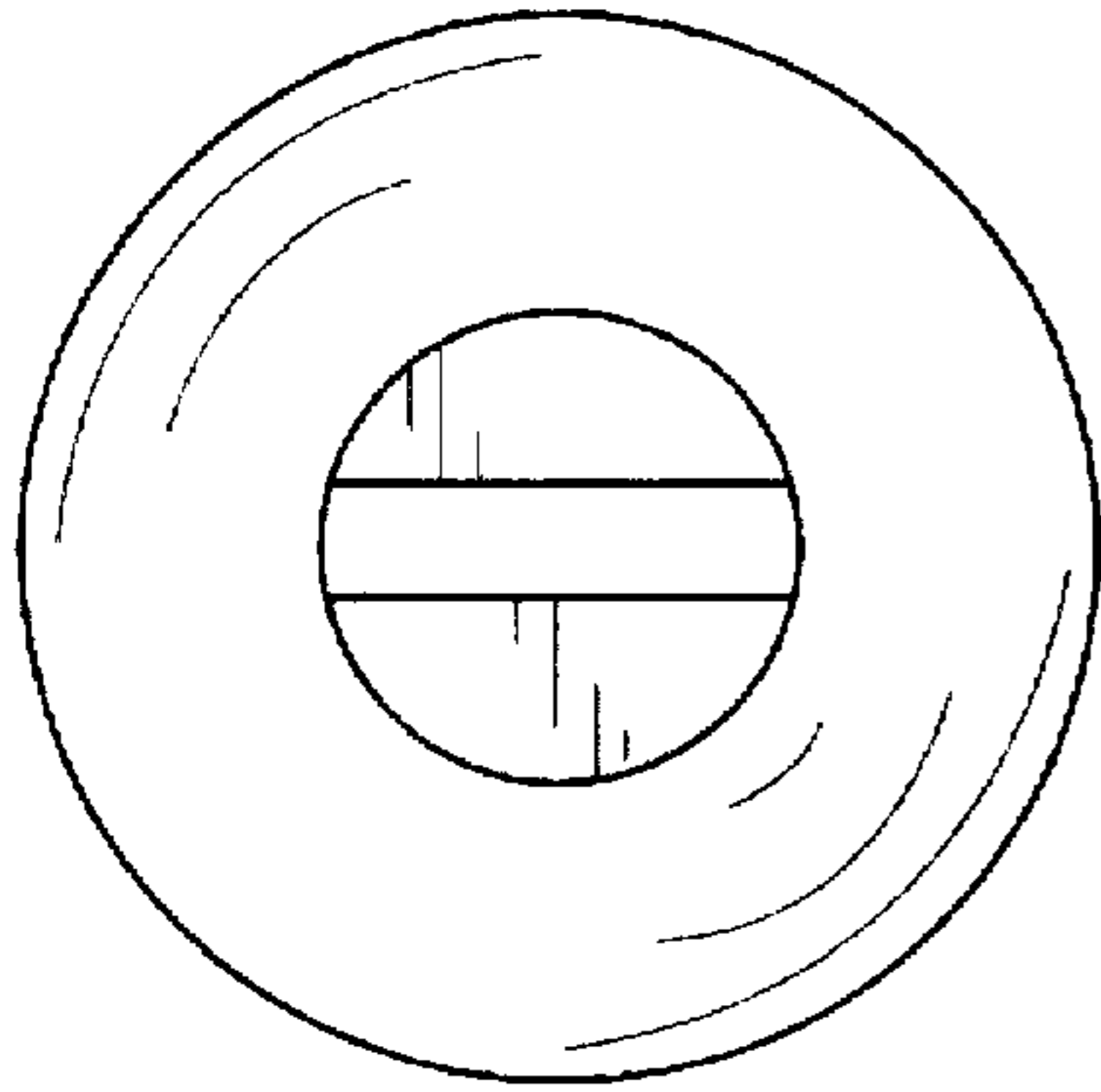


FIG. 2

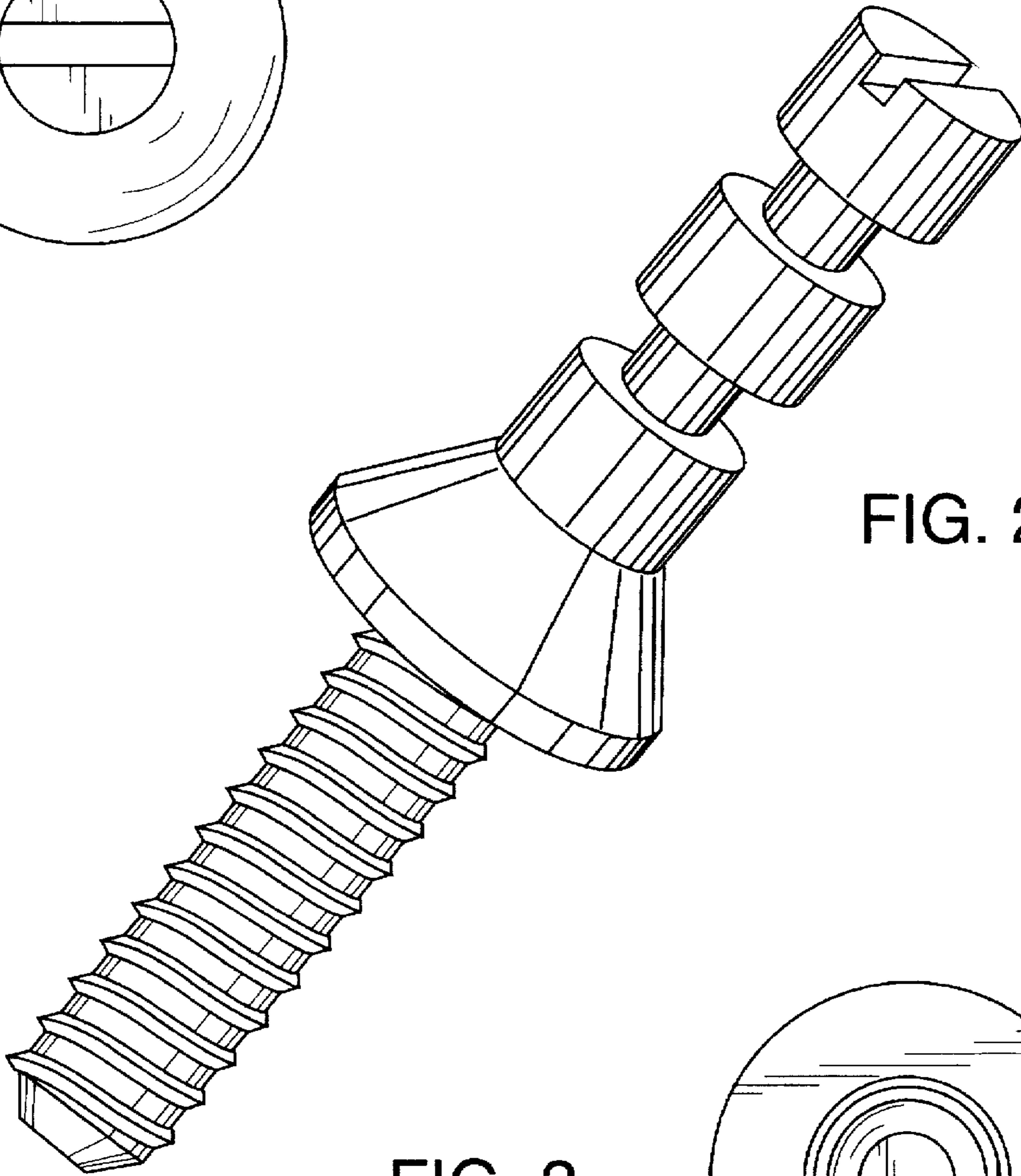


FIG. 3

