



US00D390299S

United States Patent [19]

[11] Patent Number: Des. 390,299

Terry

[45] Date of Patent: **Feb. 3, 1998

[54] **BENDABLE, TUBULAR TOY**

[75] Inventor: **Richard A. Terry**, Houston, Tex.

[73] Assignee: **Allied Inspiration Corporation**,
Kansas City, Mo.

[**] Term: **14 Years**

[21] Appl. No.: **924,335**

[22] Filed: **Jul. 31, 1992**

4,061,910 12/1977 Rosenfeld 63/2 L
 4,078,330 3/1978 Roth D11/5
 4,114,398 9/1978 Orlandini .
 4,165,814 8/1979 Seel D9/435
 4,220,016 9/1980 Frenger .
 4,254,575 3/1981 Gould .
 4,362,031 12/1982 Obermuller .
 4,521,839 6/1985 Cook .
 4,666,417 5/1987 Hillman .
 4,753,086 6/1988 Schmidt .
 4,920,991 5/1990 Shibahashi et al. .
 5,080,623 1/1992 Stein D21/100

[51] LOC (6) Cl. **21-03**

[52] U.S. Cl. **D21/240; D11/5**

[58] Field of Search D21/100, 210,
D21/211, 59, 89; D9/435; D11/1-13, 15,
20, 26, 27; 63/1.1, 2, 26; D8/333; D7/300.2

FOREIGN PATENT DOCUMENTS

2256635 7/1975 France .

OTHER PUBLICATIONS

Jewelers Circular Keystone Reference—Nov 1978, Jewelry located center of page.

Primary Examiner—Ralf Seifert
Attorney, Agent, or Firm—Pravel, Hewitt, Kimball & Krieger

[56] References Cited

U.S. PATENT DOCUMENTS

D. 237,816 11/1975 Bulgari D11/5
 D. 242,111 11/1976 Proskin D8/333
 D. 271,385 11/1983 Novak D11/5
 283,574 8/1883 Cottle D11/27
 761,589 5/1904 Johnson .
 2,032,871 5/1936 Dammeyer .
 2,219,130 7/1940 Herrmann .
 2,601,554 6/1952 Peters D21/100
 2,628,998 2/1953 Frisbie .
 2,738,616 6/1956 Windle .
 2,809,833 10/1957 Slade .
 3,019,552 9/1962 Schleich .
 3,176,431 4/1965 Richardson .
 3,790,775 2/1974 Rosenblatt .
 3,918,708 11/1975 Augusta .
 4,020,337 4/1977 Chatten .

[57] CLAIM

The ornamental design for bendable tubular toy, as shown.

DESCRIPTION

FIG. 1 is a side view in perspective of the bendable, tubular toy of this invention;
 FIG. 2 is a view of the left end of the bendable, tubular toy of FIG. 1;
 FIG. 3 is a view of the right end of the bendable tubular toy of FIG. 1; and,
 FIG. 4 is an enlarged view of FIG. 2 or FIG. 3.

1 Claim, 1 Drawing Sheet



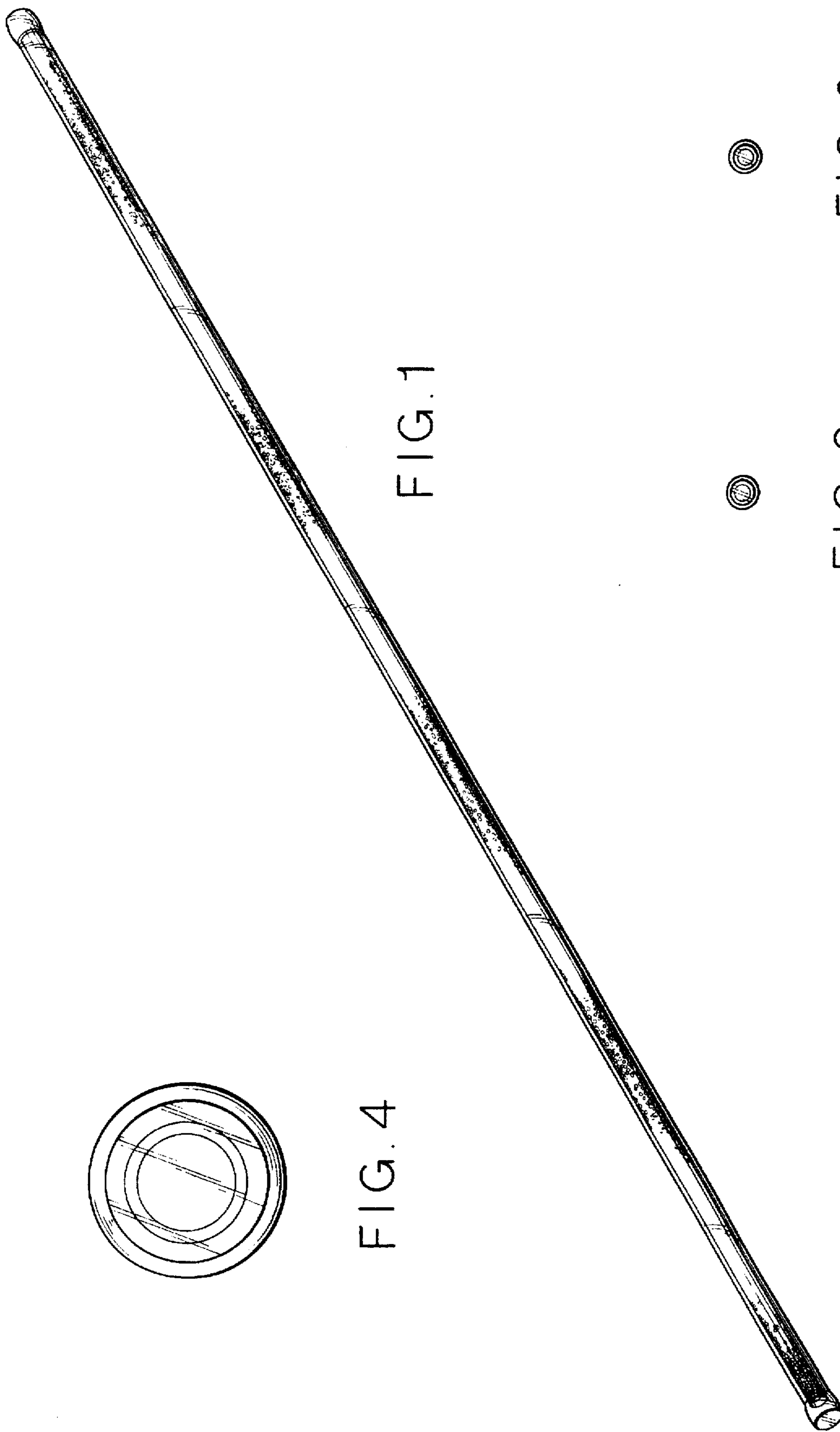


FIG. 1

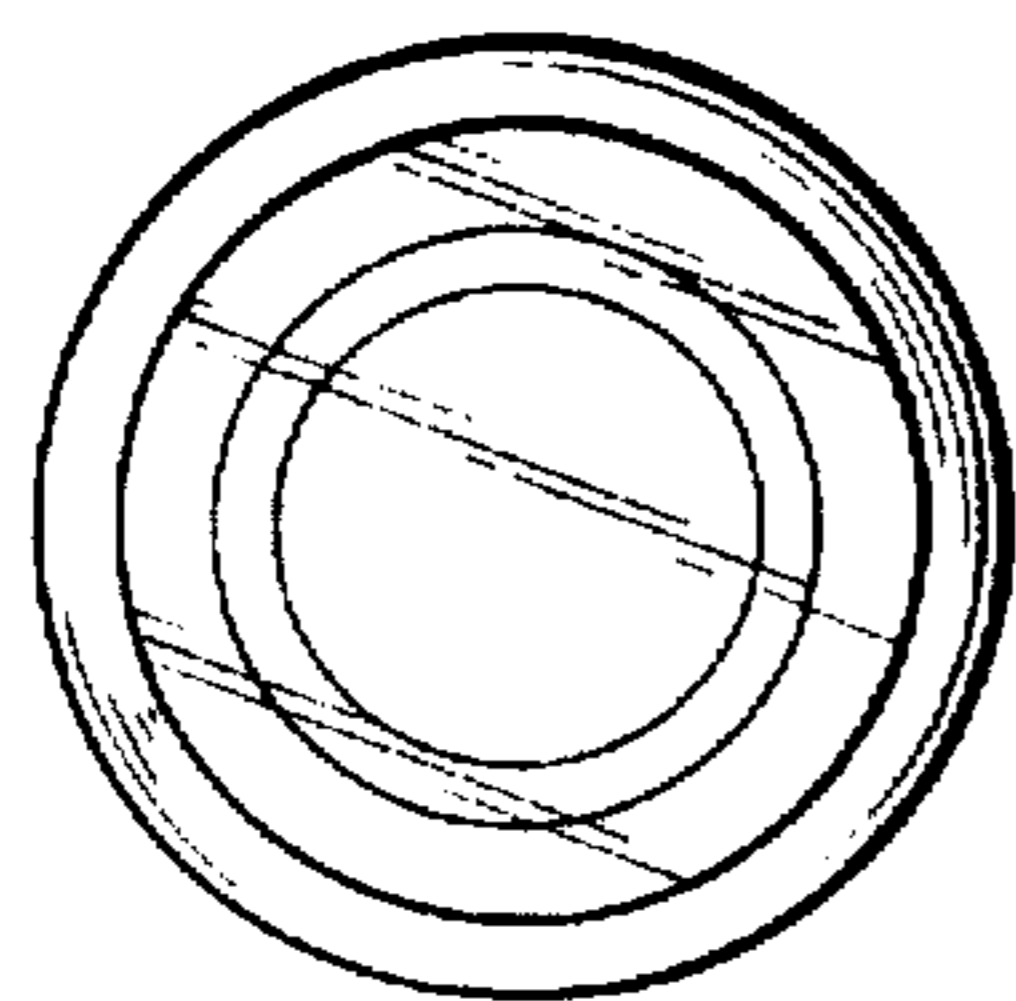


FIG. 4



FIG. 2



FIG. 3