



US00D390298S

# United States Patent [19]

[11] Patent Number: **Des. 390,298**

Ince et al.

[45] Date of Patent: **\*\*Feb. 3, 1998**

[54] **INFLATABLE PILLOW**

*Primary Examiner—Kay H. Chin*

[76] Inventors: **Sharon R. Ince; Larry J. Ince**, both of  
6553 Whitbourne Dr., San Jose, Calif.  
95120

[57] **CLAIM**

The ornamental design for an inflatable pillow, as shown and described.

[\*\*] Term: **14 Years**

### DESCRIPTION

[21] Appl. No.: **63,177**

FIG. 1 is a front perspective view of an inflatable pillow showing my new design;

[22] Filed: **Dec. 2, 1996**

FIG. 2 is a rear elevational view thereof;

[51] **LOC (6) Cl.** ..... **12-06**

FIG. 3 is a top plan view thereof;

[52] **U.S. Cl.** ..... **D21/237; D6/601**

FIG. 4 is a bottom plan view thereof;

[58] **Field of Search** ..... **D21/236, 237;**  
**D6/601, 604, 596; 297/391; 5/636, 637,**  
**640, 613; 441/125-127, 136**

FIG. 5 is a side elevational view thereof, the opposite side view being a mirror image of that shown;

FIG. 6 is a front perspective view of a second embodiment of the inflatable pillow;

[56] **References Cited**

FIG. 7 is a front elevational view of FIG. 6;

FIG. 8 is a top plan view of FIG. 6;

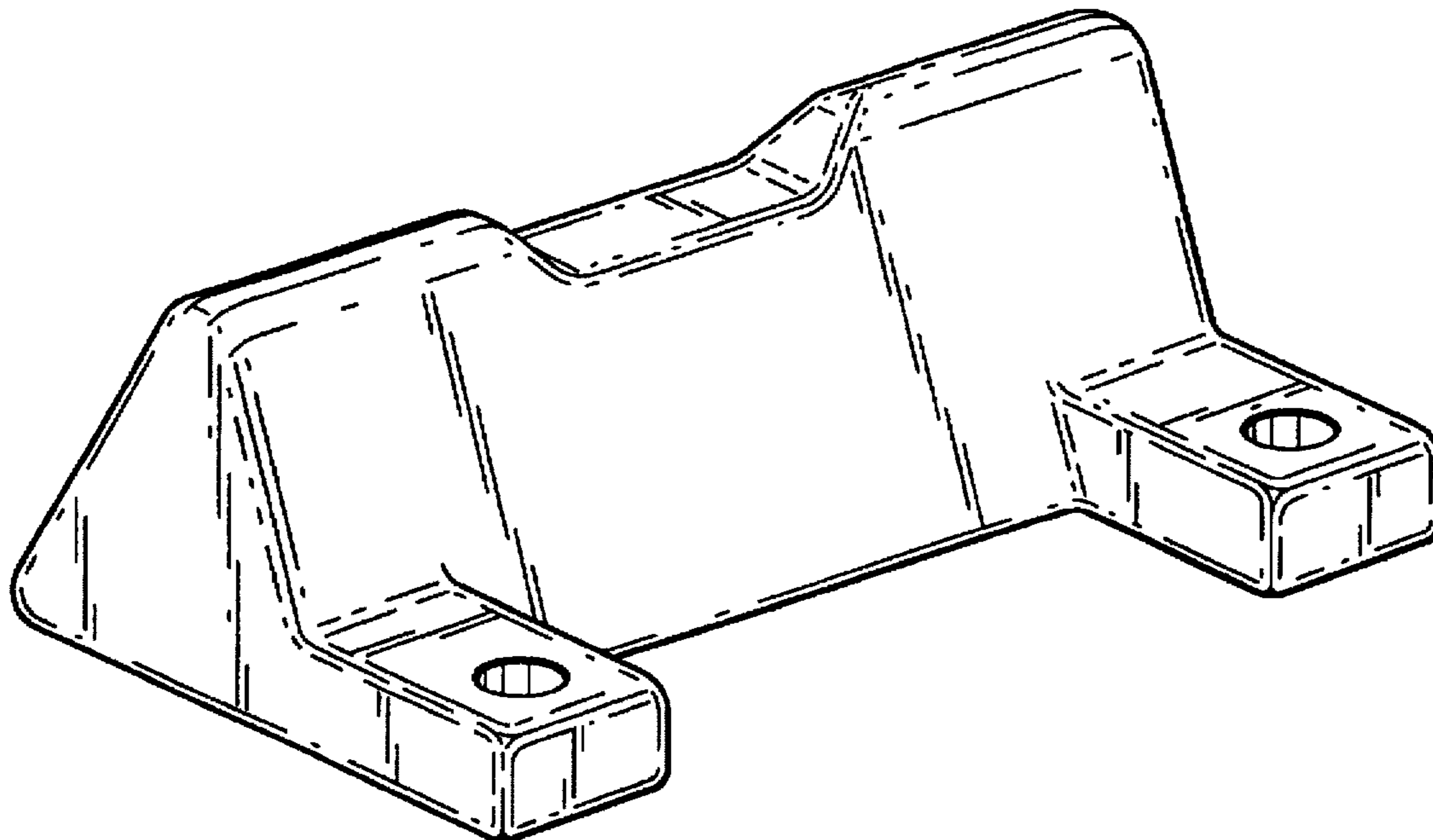
#### U.S. PATENT DOCUMENTS

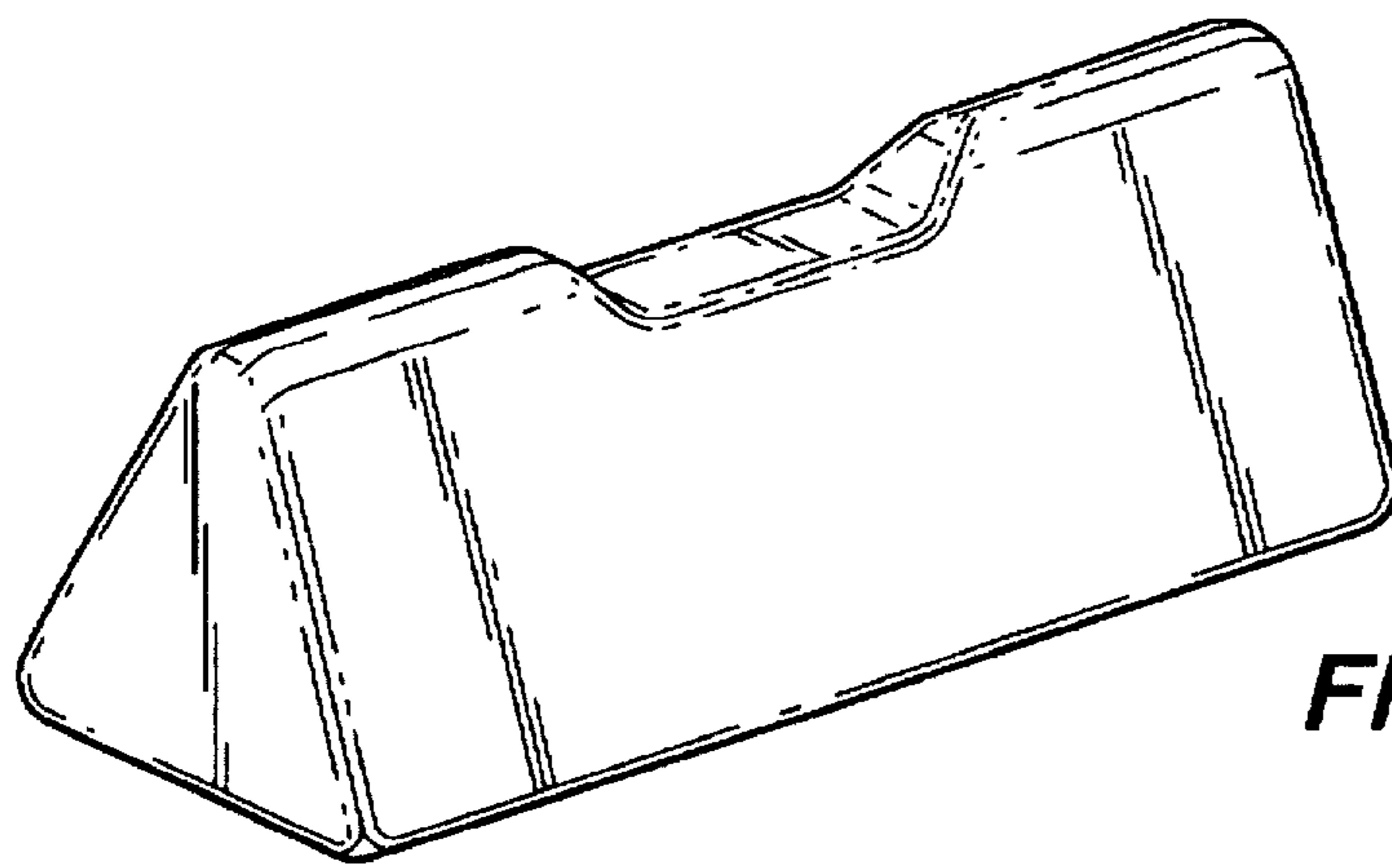
FIG. 9 is a rear elevational view thereof; and,

FIG. 10 is a side elevational view of FIG. 6, the opposite side view being a mirror image of that shown.

D. 308,455	6/1990	Jenney	.....	D6/601
D. 360,554	7/1995	Righini	.....	D21/237
5,457,832	10/1995	Tatum	.....	5/636
5,471,691	12/1995	Ryndak	.....	5/636 X

**1 Claim, 2 Drawing Sheets**

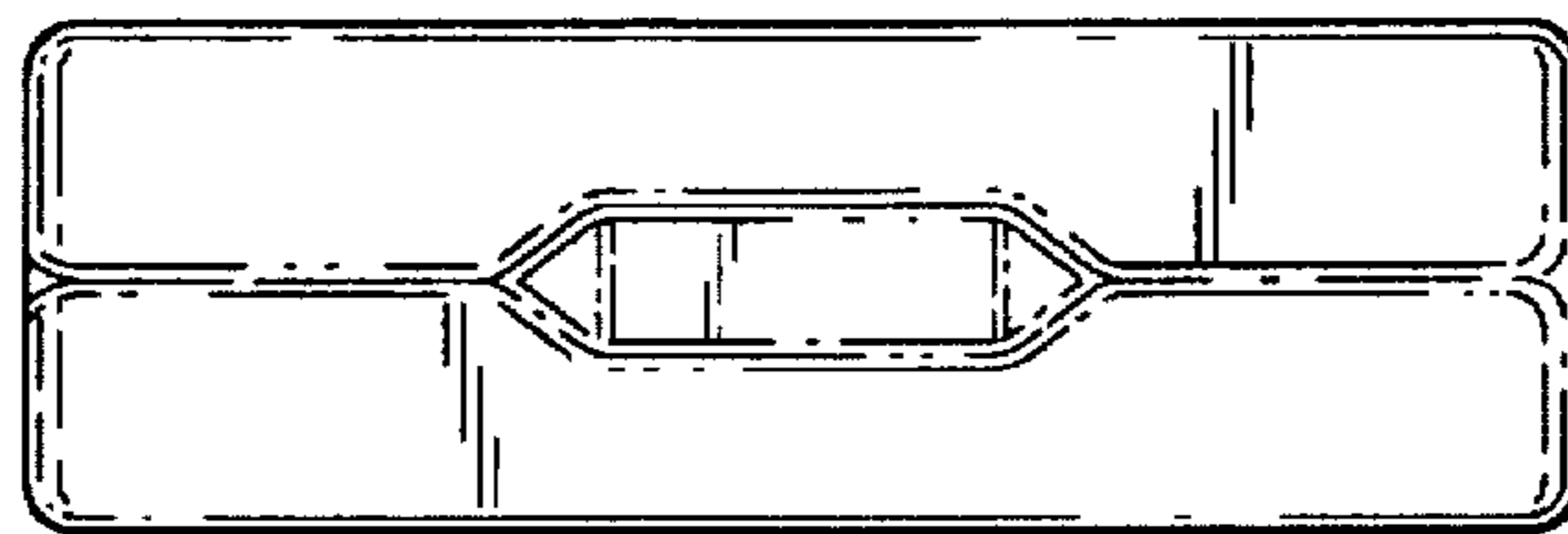




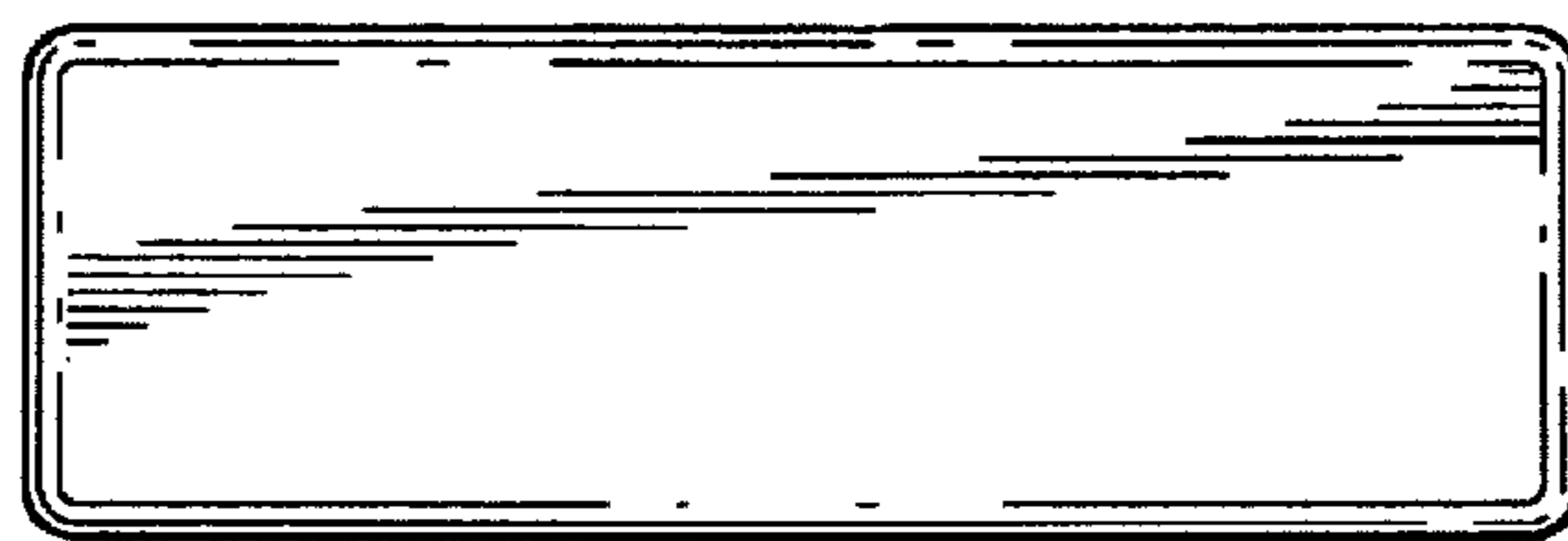
**FIG. 1**



**FIG. 2**



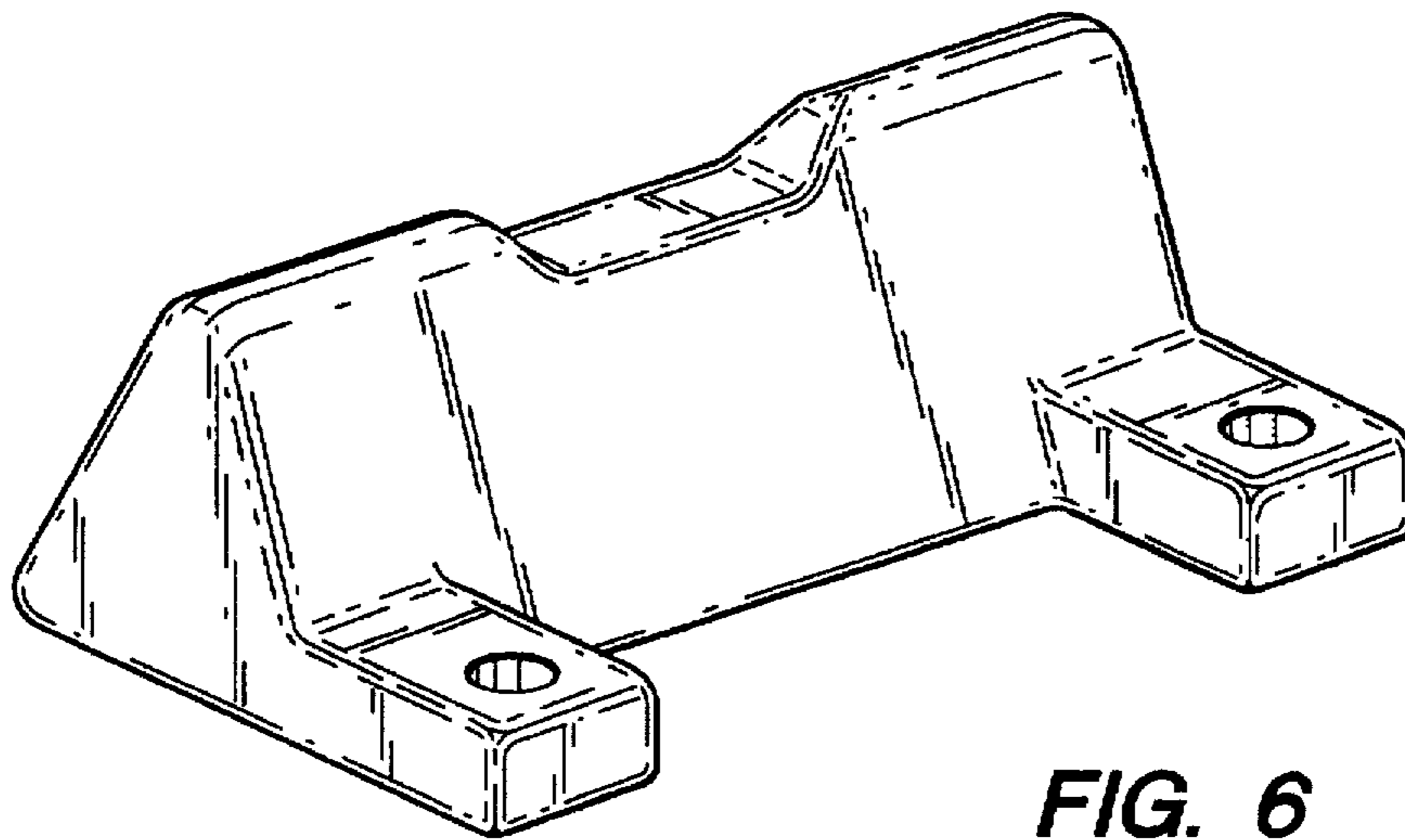
**FIG. 3**



**FIG. 4**



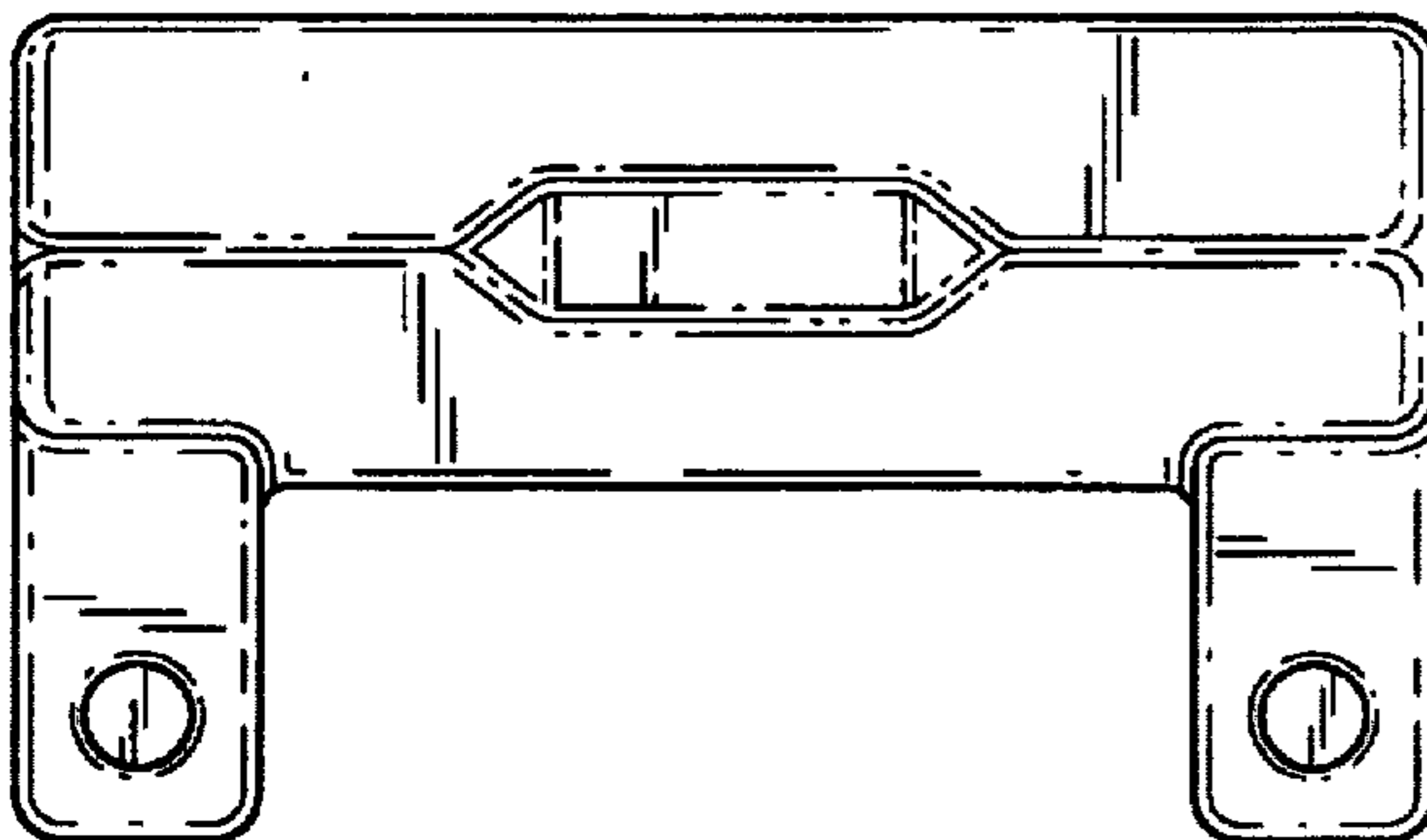
**FIG. 5**



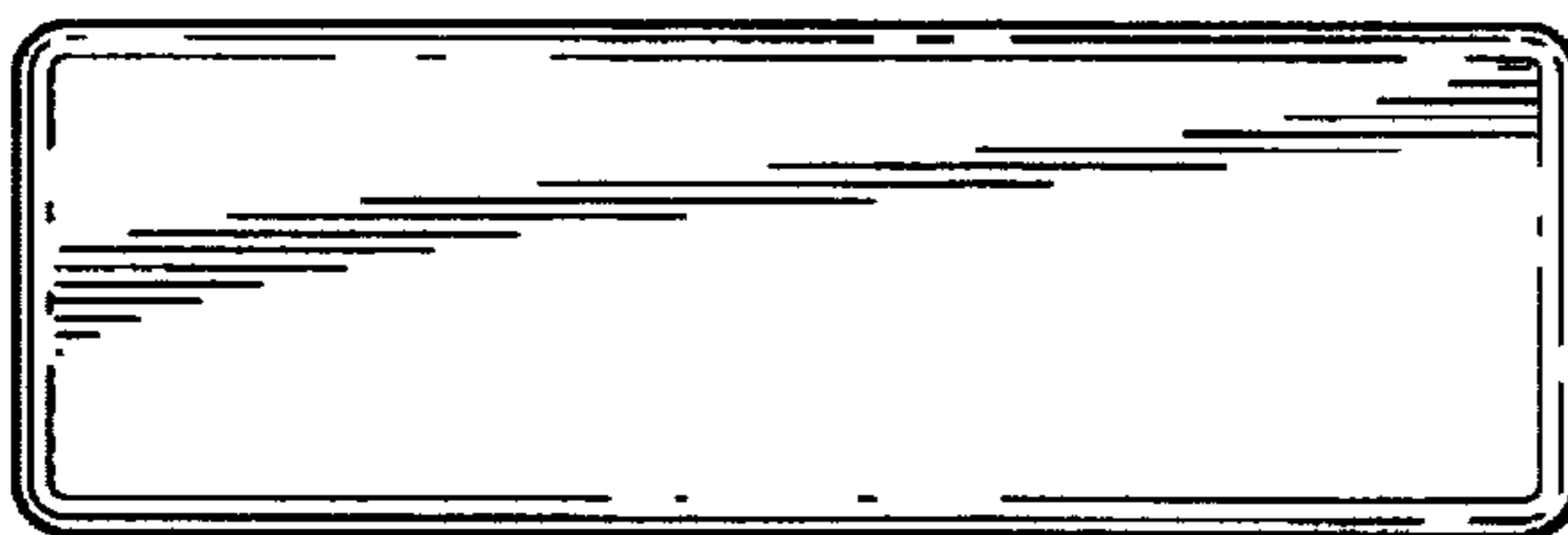
**FIG. 6**



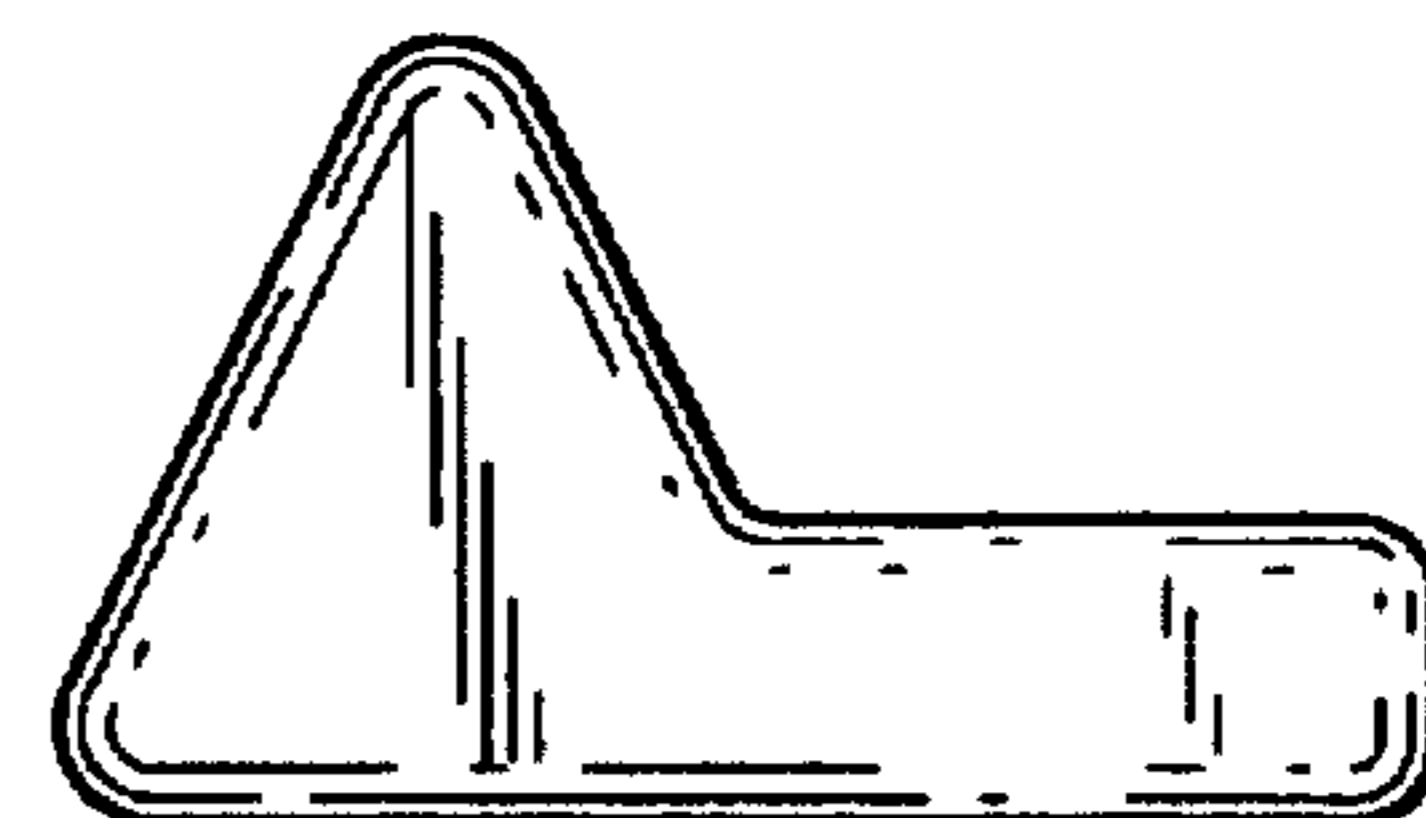
**FIG. 7**



**FIG. 8**



**FIG. 9**



**FIG. 10**