



US00D390294S

United States Patent [19]

[11] Patent Number: **Des. 390,294**

Burrows

[45] Date of Patent: ****Feb. 3, 1998**

[54] **WOOD-TYPE HEAD FOR A GOLF CLUB**

*Attorney, Agent, or Firm—*Kelly Bauersfeld Lowry & Kelley, LLP

[76] Inventor: **Bruce D. Burrows**, 25555 W. Avenue Stanford, Valencia, Calif. 91355-1101

[57] CLAIM

[**] Term: **14 Years**

The ornamental design for a wood-type head for a golf club, as shown and described.

[21] Appl. No.: **68,732**

DESCRIPTION

[22] Filed: **Mar. 31, 1997**

FIG. 1 is a perspective view showing the front, top and left sides of a wood-type head for a golf club embodying the new design;

[51] LOC (6) Cl. **21-02**

FIG. 2 is a front elevational view thereof;

[52] U.S. Cl. **D21/214**

FIG. 3 is a left side elevational view thereof;

[58] Field of Search D21/214, 217-219; 473/327, 328, 343, 344

FIG. 4 is a right side elevational view thereof;

FIG. 5 is a rear elevational view thereof;

[56] References Cited

U.S. PATENT DOCUMENTS

D. 231,625	5/1974	Werner	D21/29
D. 257,872	1/1981	MacDougall	D21/219
D. 257,873	1/1981	MacDougall	D21/219
D. 318,087	7/1991	Helmstetter	D21/214
D. 354,103	1/1995	Allen	.	
D. 356,356	3/1995	Jacobs	D21/219
D. 364,666	11/1995	Nagy	D21/219
D. 366,919	2/1996	Jacobs	D21/219
D. 368,752	4/1996	Patten	D21/219
1,541,126	6/1925	Dunn	.	
3,374,027	3/1968	Jacobs	.	
4,511,145	4/1985	Schmidt	473/346
5,042,806	8/1991	Helmstetter	473/311
5,611,741	3/1997	Schmidt et al.	473/328

FIG. 6 is a top plan view thereof;

FIG. 7 is a bottom plan view thereof;

FIG. 8 is a bottom plan view of an alternative form of my new design, the front and rear elevational views, the top plan view, and the right side elevational view being identical to the embodiment of FIGS. 1-7;

FIG. 9 is a left side elevational view of the embodiment of FIG. 8;

FIG. 10 is a bottom plan view of another alternative form of my new design, the front and rear elevational views, the top plan view, and the right side elevational view being identical to the embodiment of FIGS. 1-7; and,

FIG. 11 is a left side elevational view of the embodiment of FIG. 10.

The broken line showing of a fragmented shaft is for illustrative purposes only and forms no part of the claimed design.

*Primary Examiner—*Raphael Barkai
*Assistant Examiner—*Mitchell I. Siegel

1 Claim, 6 Drawing Sheets

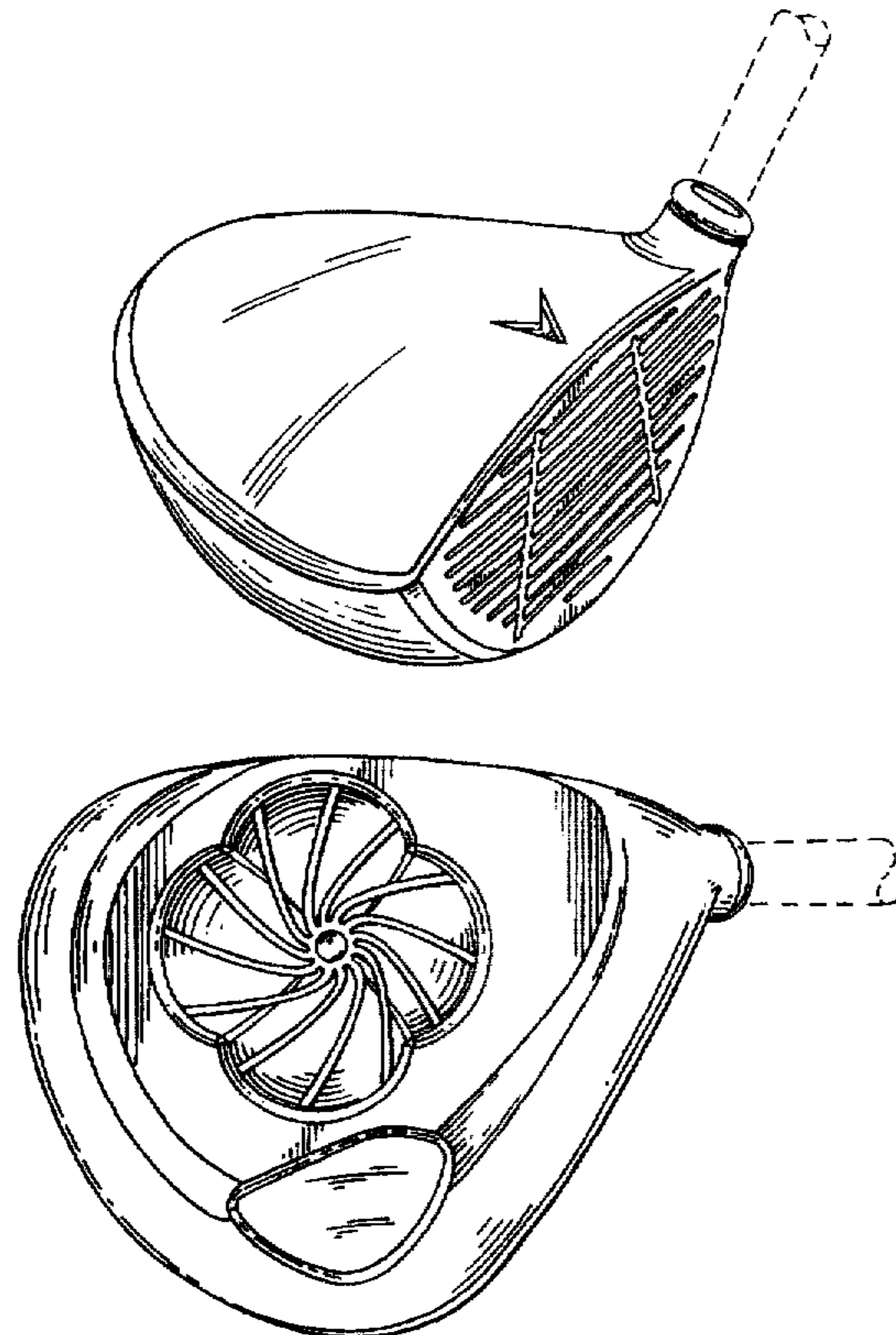


FIG. 1

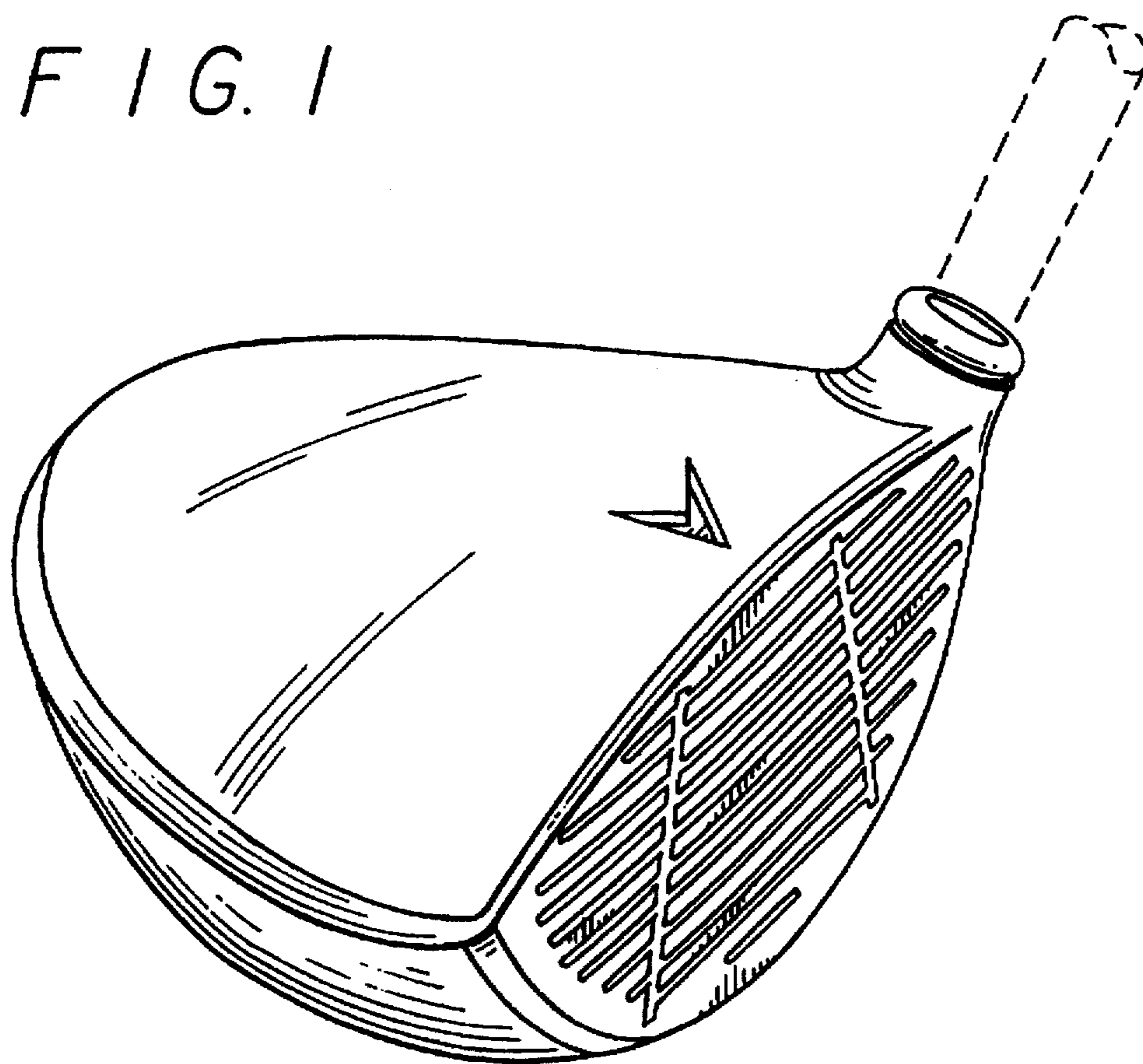


FIG. 2

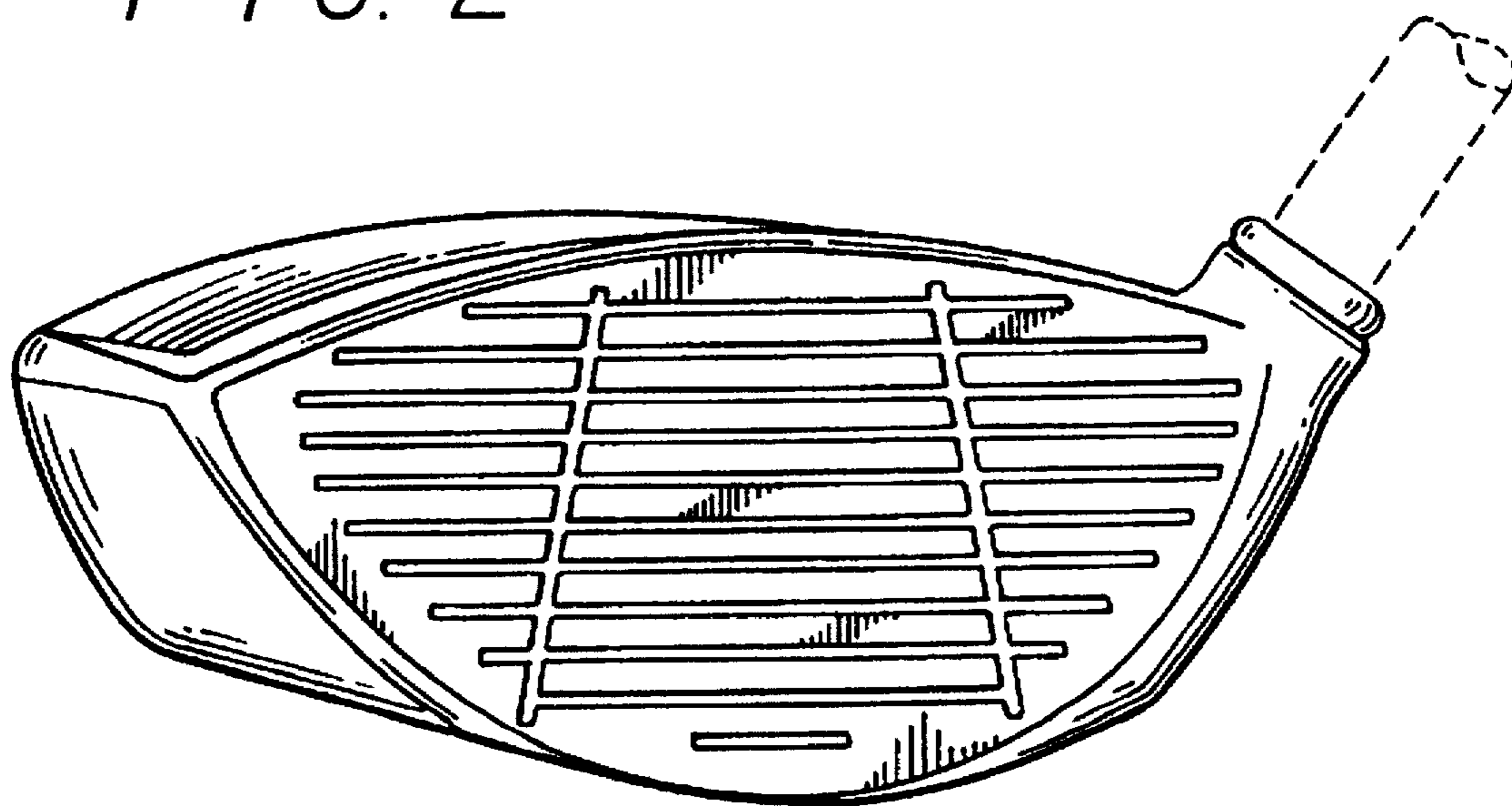


FIG. 3

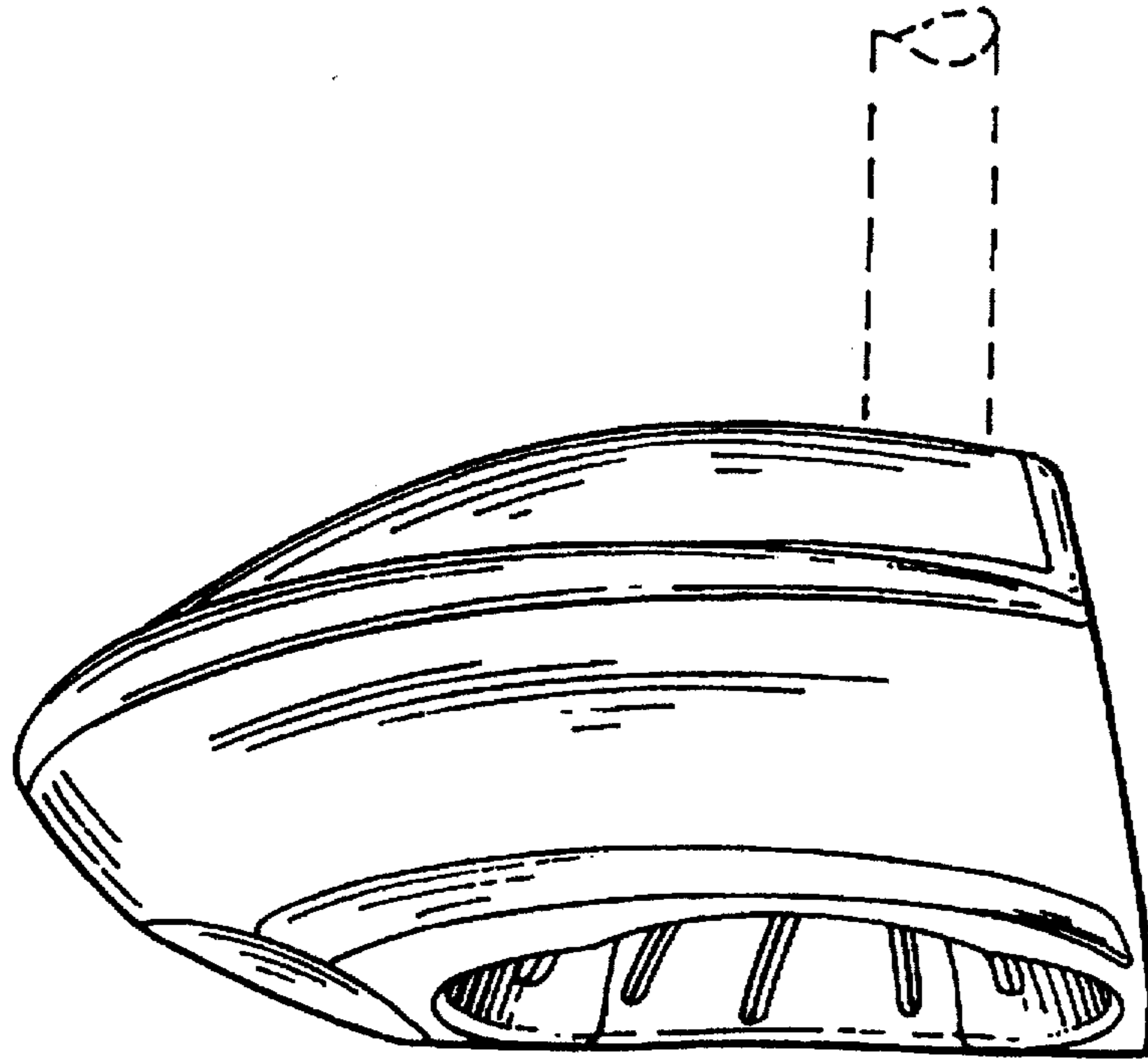


FIG. 4

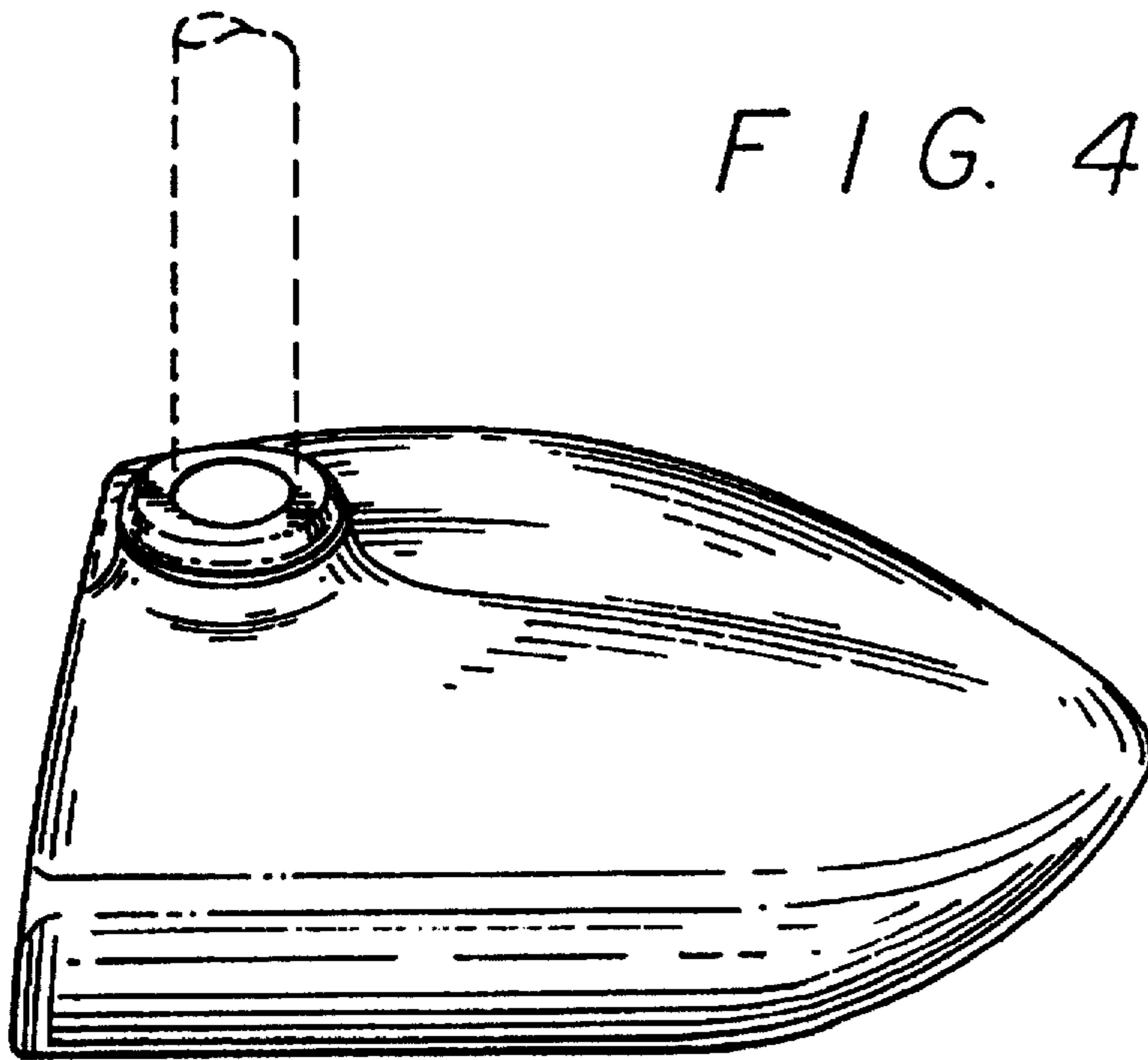
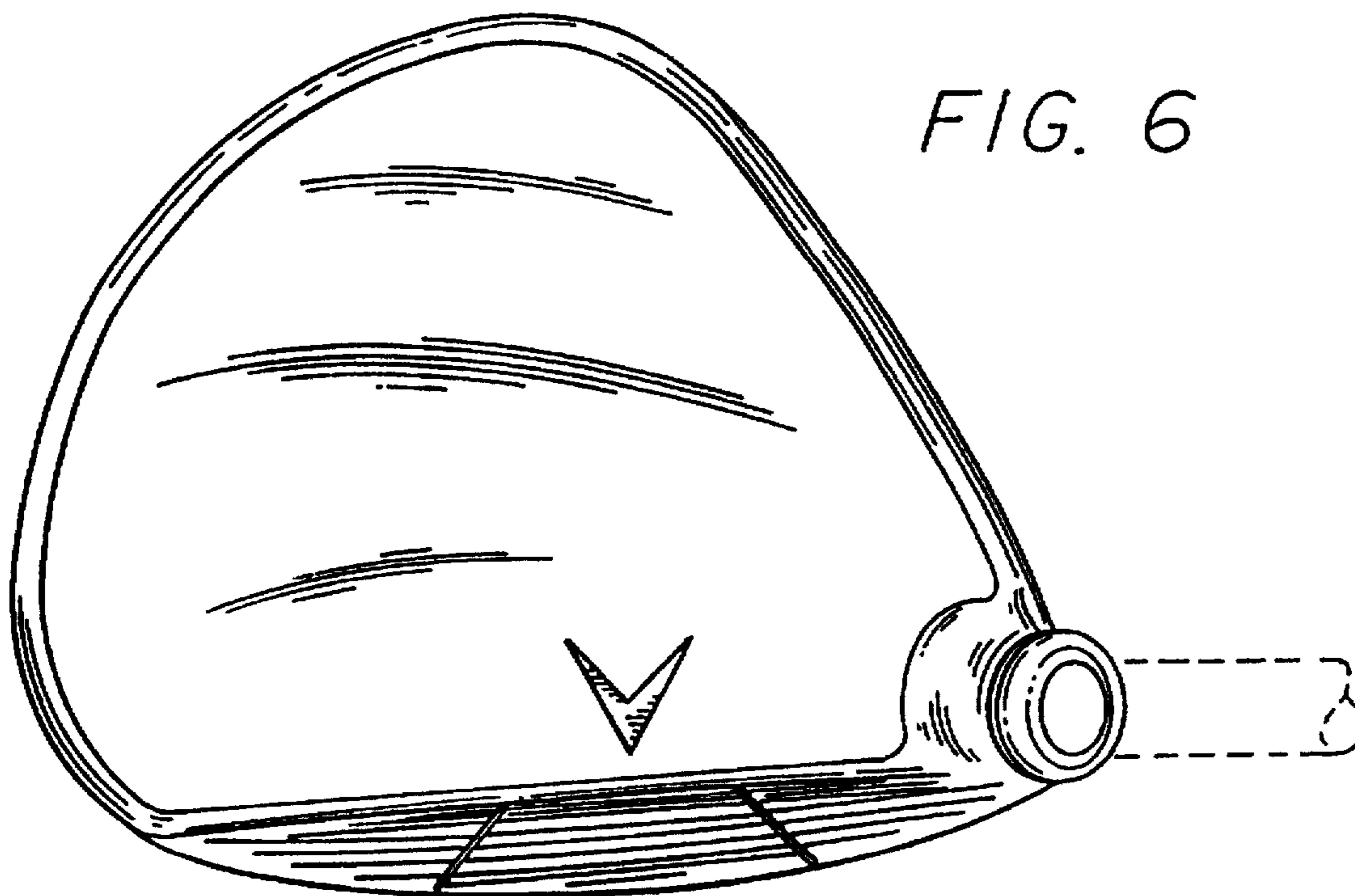


FIG. 5



FIG. 6



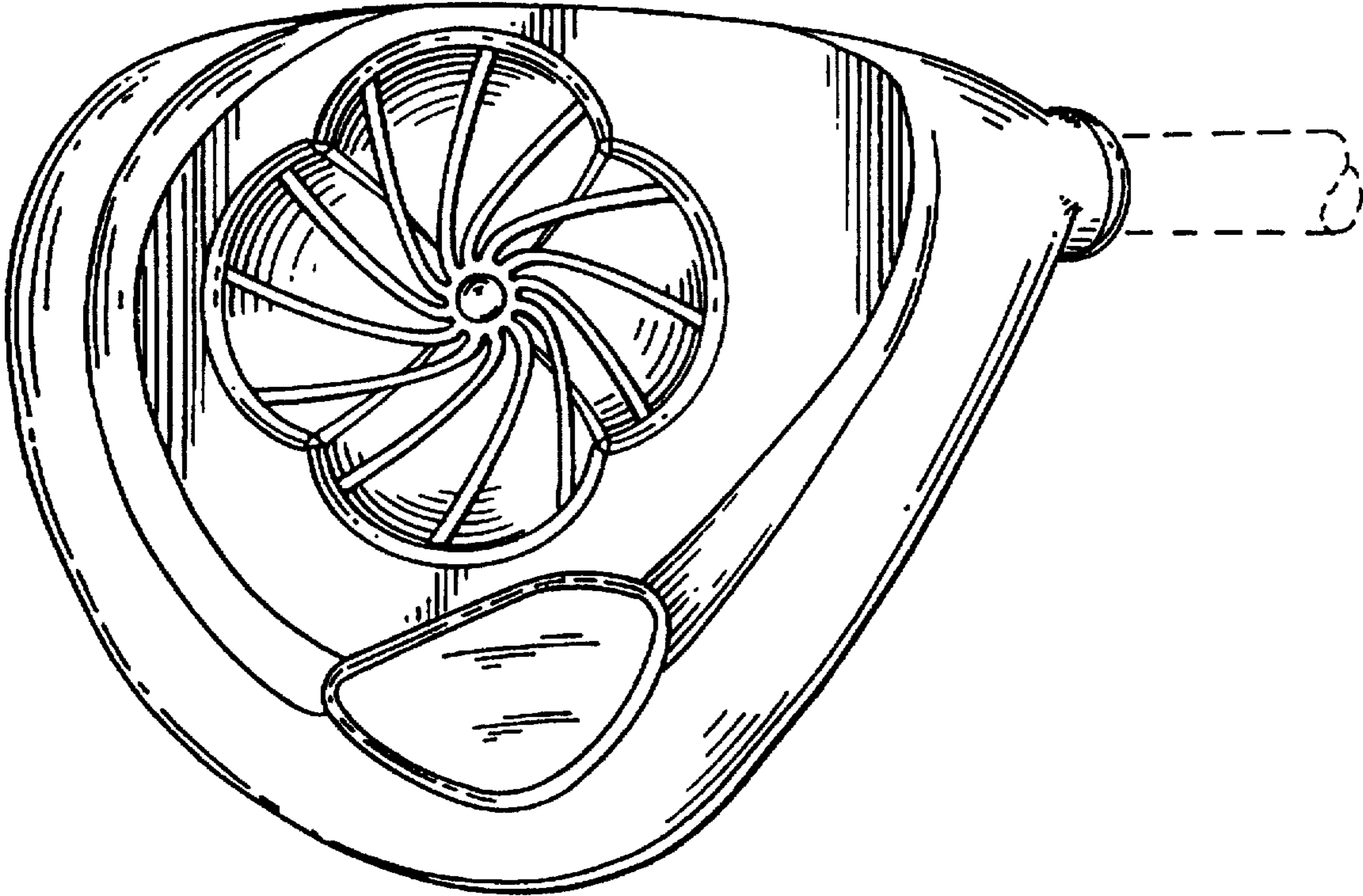


FIG. 7

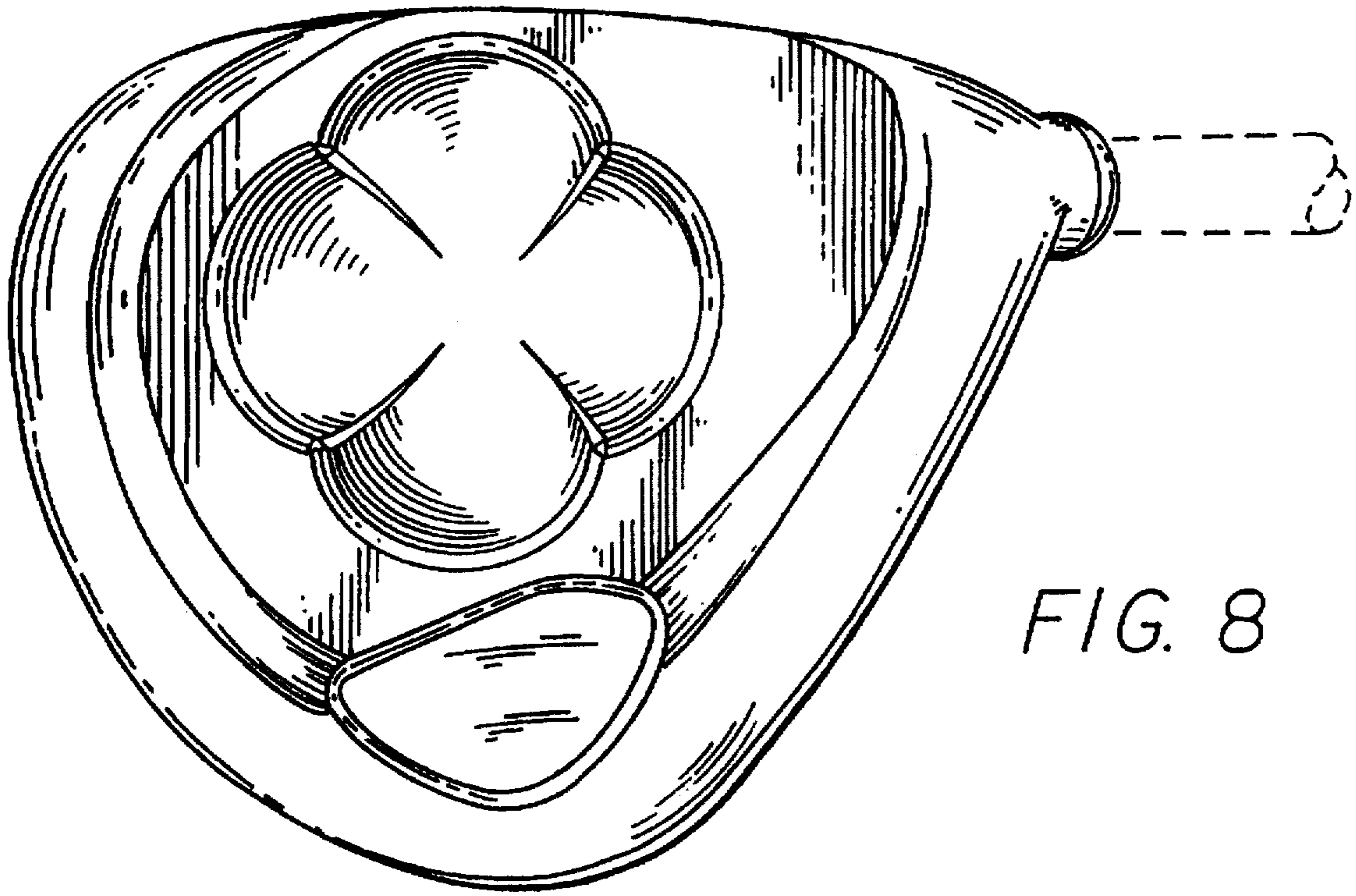


FIG. 8

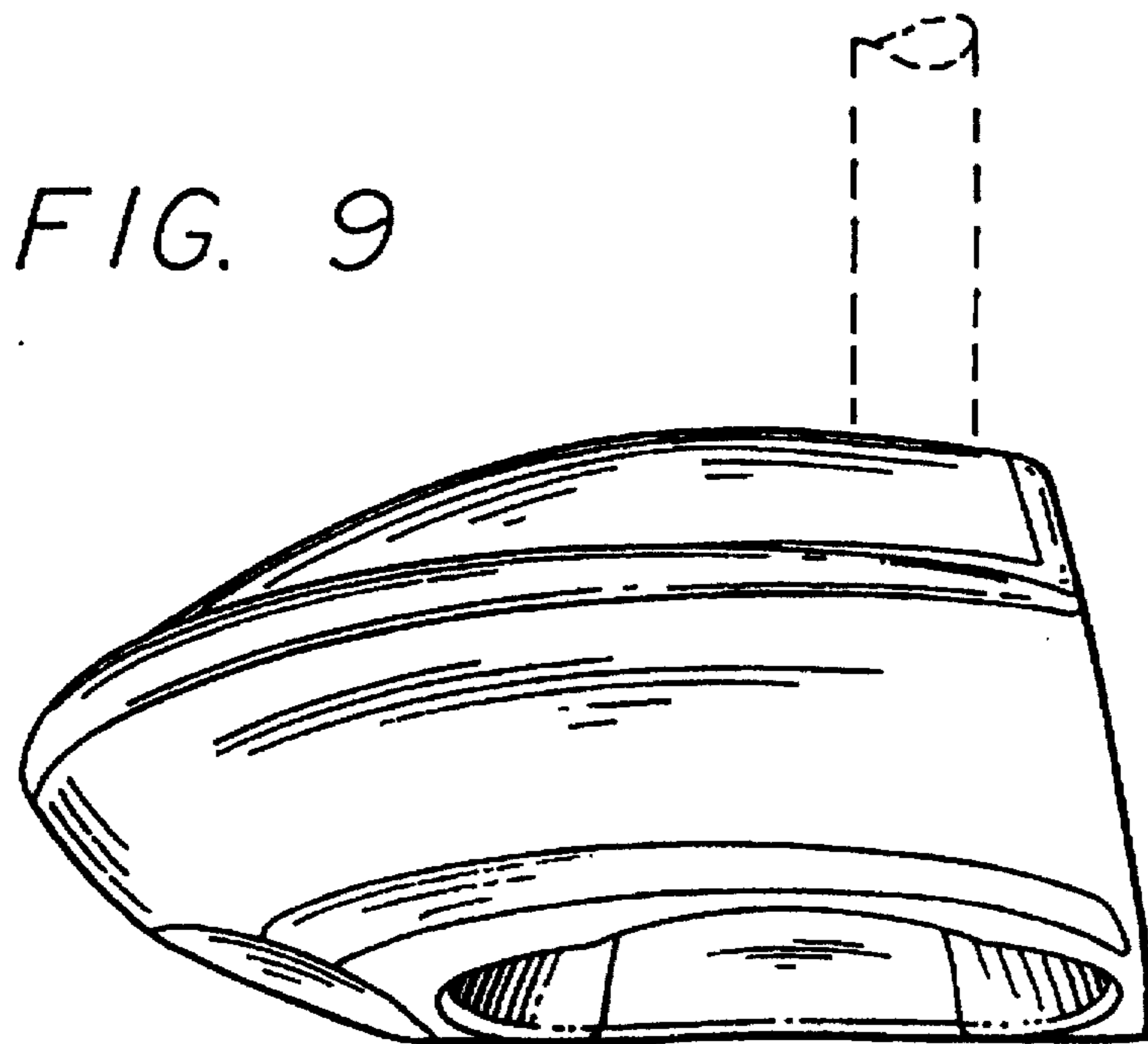


FIG. 9

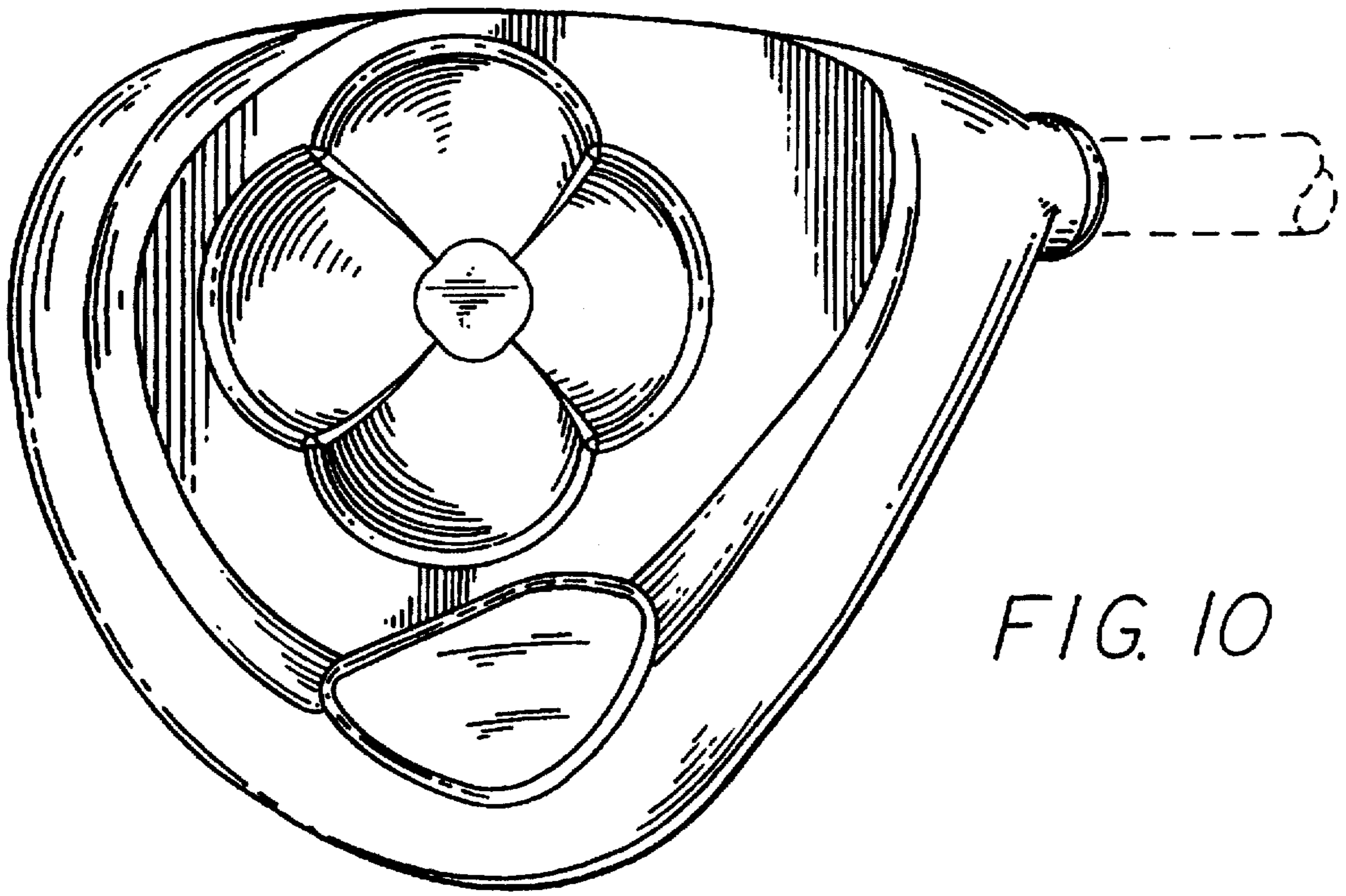


FIG. 10

FIG. 11

