



US00D390293S

United States Patent [19]

Pardorf et al.

[11] Patent Number: **Des. 390,293**

[45] Date of Patent: ****Feb. 3, 1998**

[54] **ACTIVITY TOY**

[75] Inventors: **Jeannette Pardorf, Frederiksberg; Thomas Winkler, Copenhagen, both of Denmark**

[73] Assignee: **INTERLEGO AG, Baar, Switzerland**

[**] Term: **14 Years**

[21] Appl. No.: **59,812**

[22] Filed: **Sep. 17, 1996**

[51] LOC (6) Cl. **21-02**

[52] U.S. Cl. **D21/204**

[58] Field of Search D21/203-205, D21/59, 2, 105; 473/569, 595, 167; 446/168, 409, 431

[56] **References Cited**

U.S. PATENT DOCUMENTS

- D. 193,143 7/1962 Sadek D21/204 X
- D. 221,962 9/1971 Vennola D21/105
- D. 235,157 5/1975 Echterding D21/204 X
- D. 284,493 7/1986 King D21/204

- D. 358,858 5/1995 McGeevy D21/204
- 563,170 6/1896 Haley et al. 473/595
- 3,105,457 10/1963 Krueger D21/2
- 5,028,053 7/1991 Leopold D21/204 X

Primary Examiner—Ted Shooman
Assistant Examiner—Richelle Shelton
Attorney, Agent, or Firm—Kane, Dalsimer, Sullivan, Kurucz, Levy, Eisele and Richard, LLP

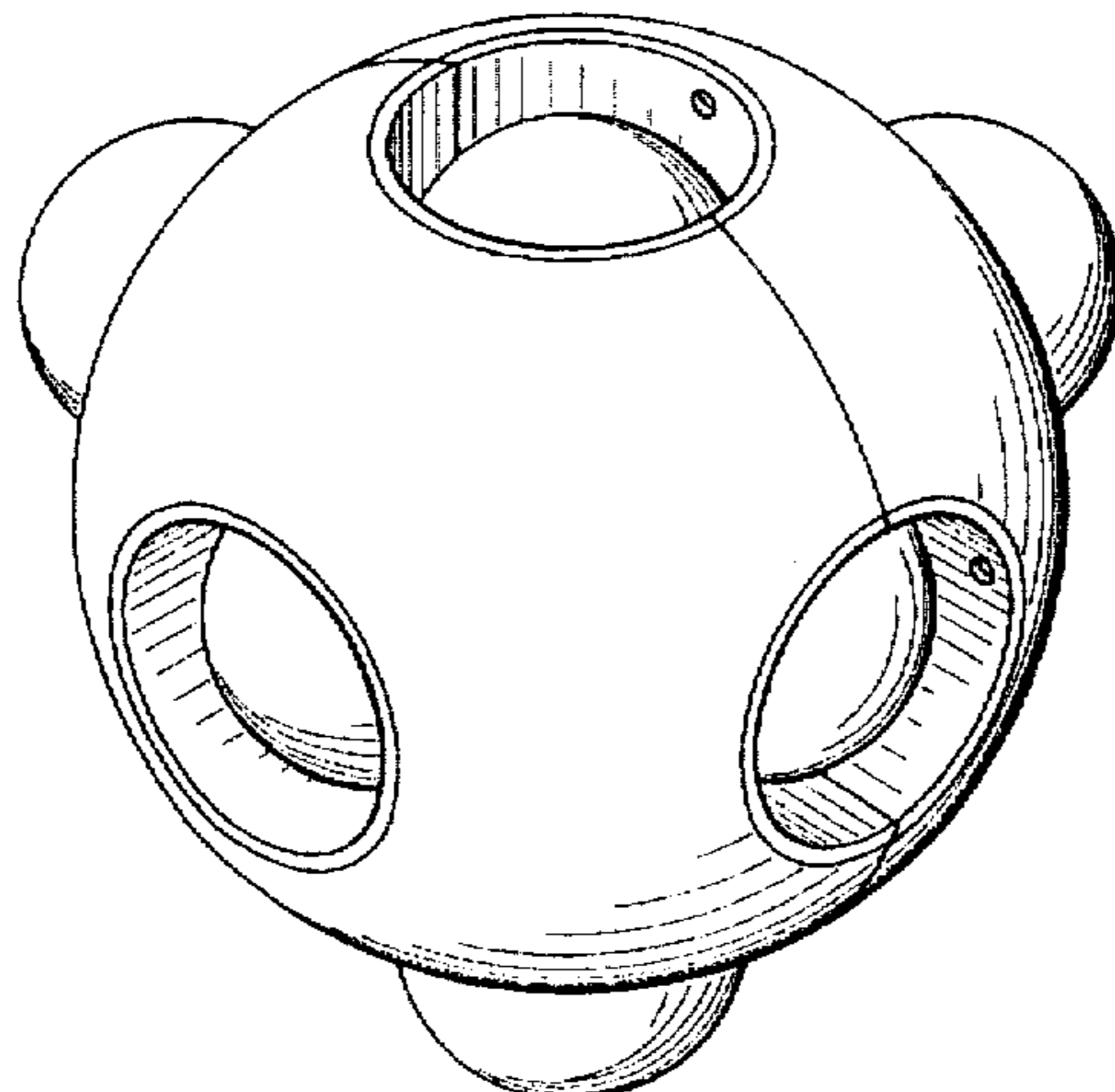
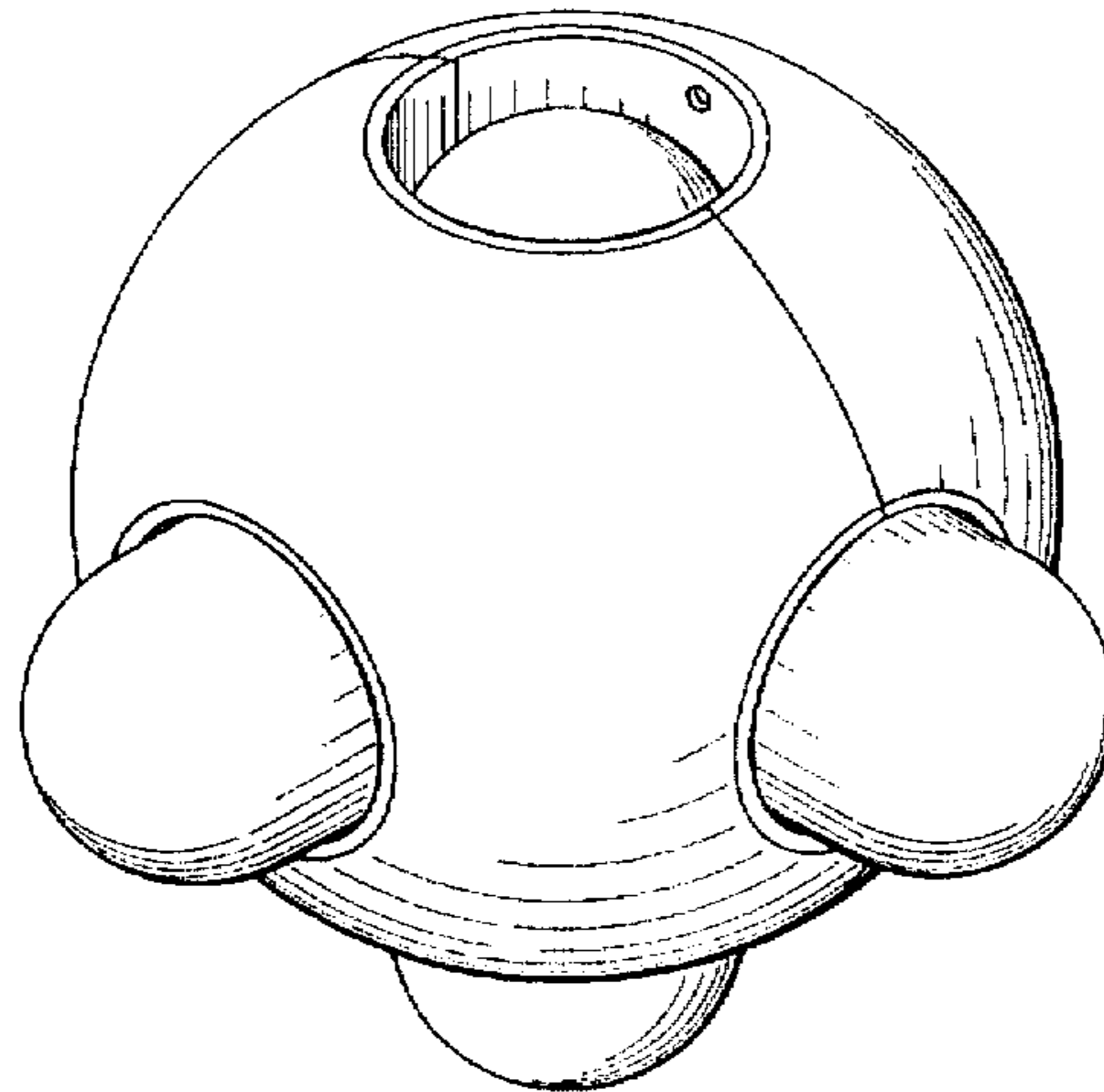
[57] **CLAIM**

The ornamental design for an activity toy, as shown and described.

DESCRIPTION

FIG. 1 is a top, left, front perspective view of the activity toy;
FIG. 2 is a top, rear, right perspective view thereof;
FIG. 3 is a front elevational view thereof;
FIG. 4 is a left side elevational view thereof;
FIG. 5 is a right side elevational view thereof;
FIG. 6 is a rear elevational view thereof;
FIG. 7 is a bottom plan view thereof; and,
FIG. 8 is a top plan view thereof.

1 Claim, 5 Drawing Sheets



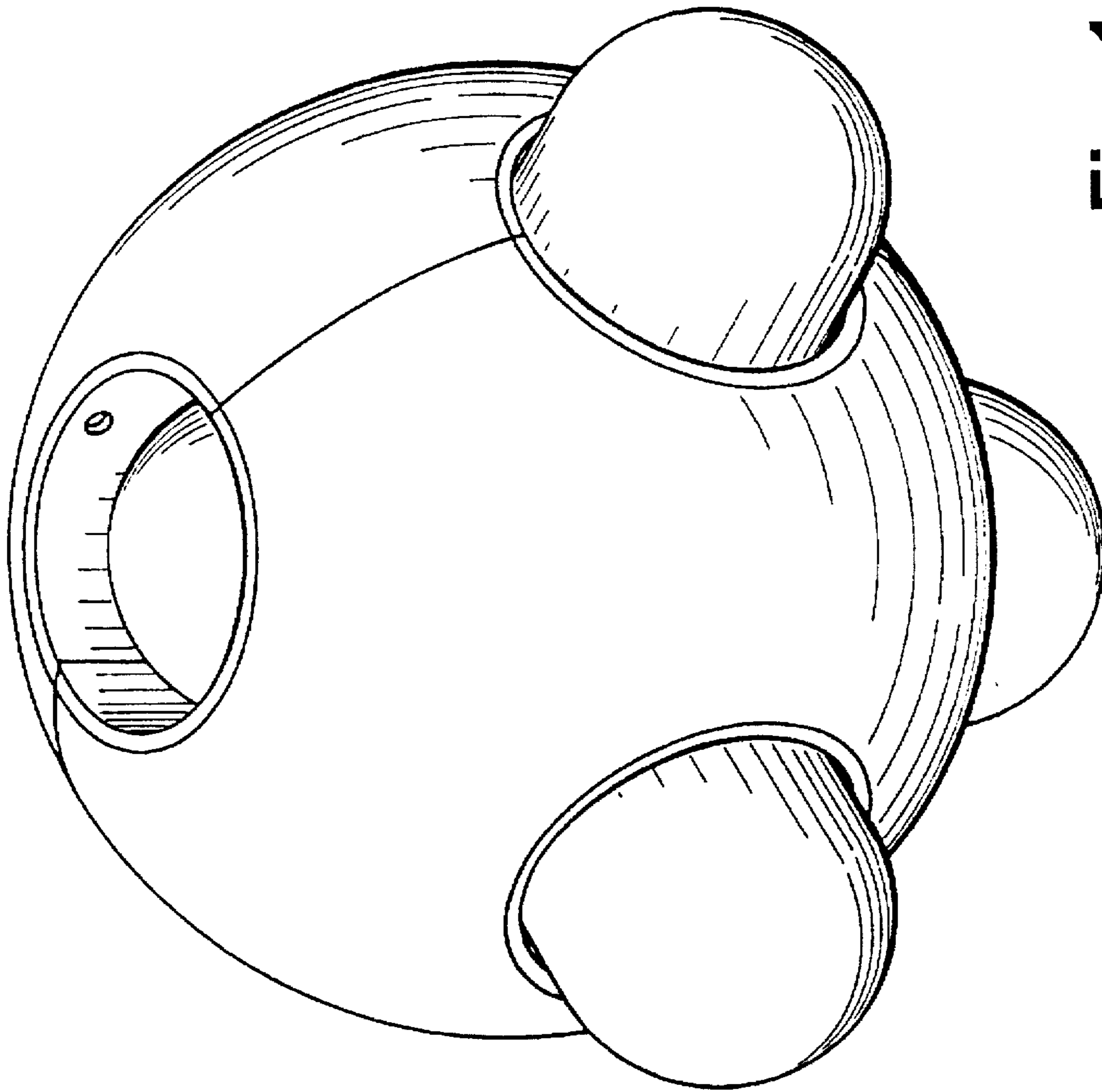


Fig. 1

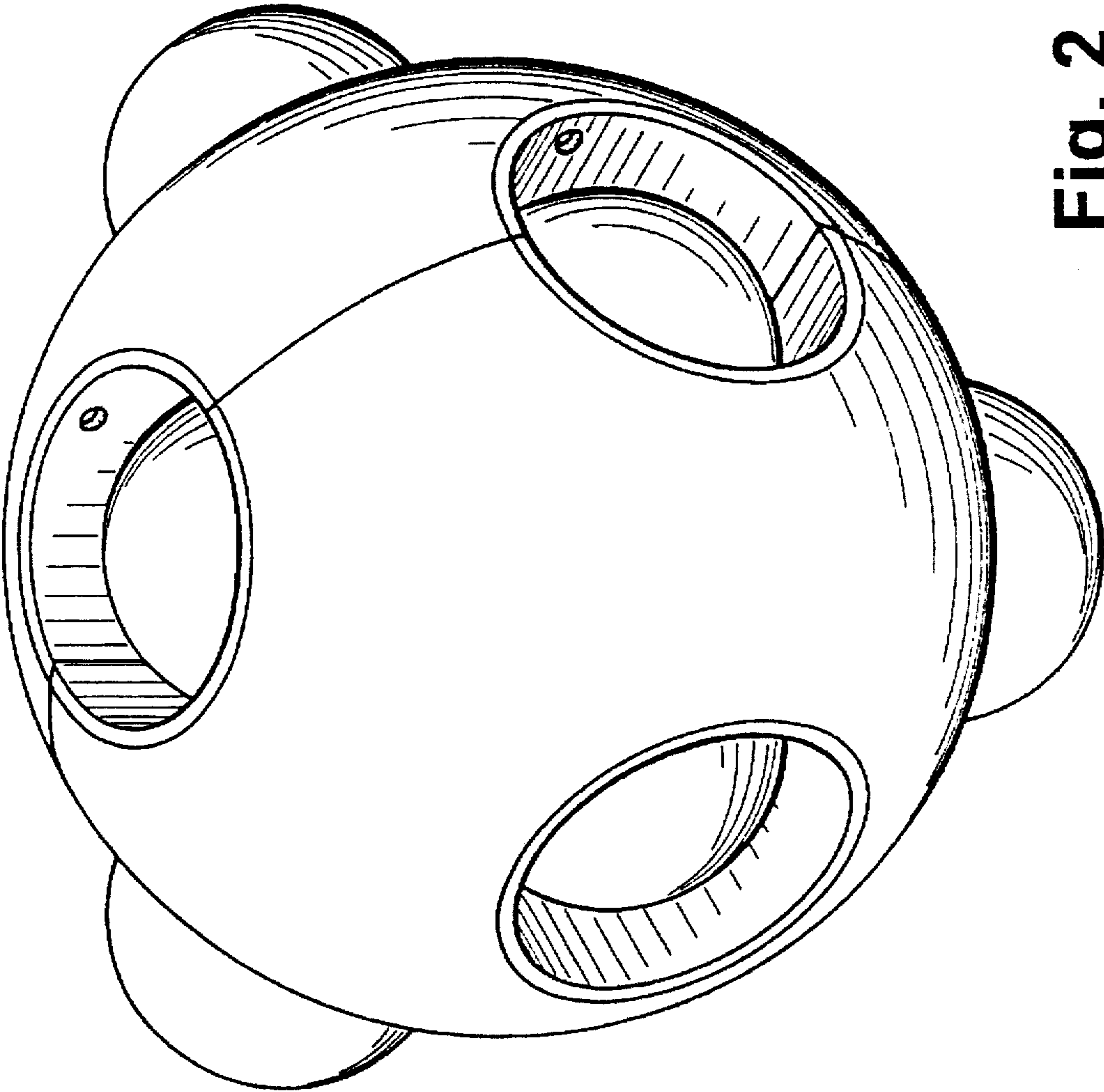


Fig. 2

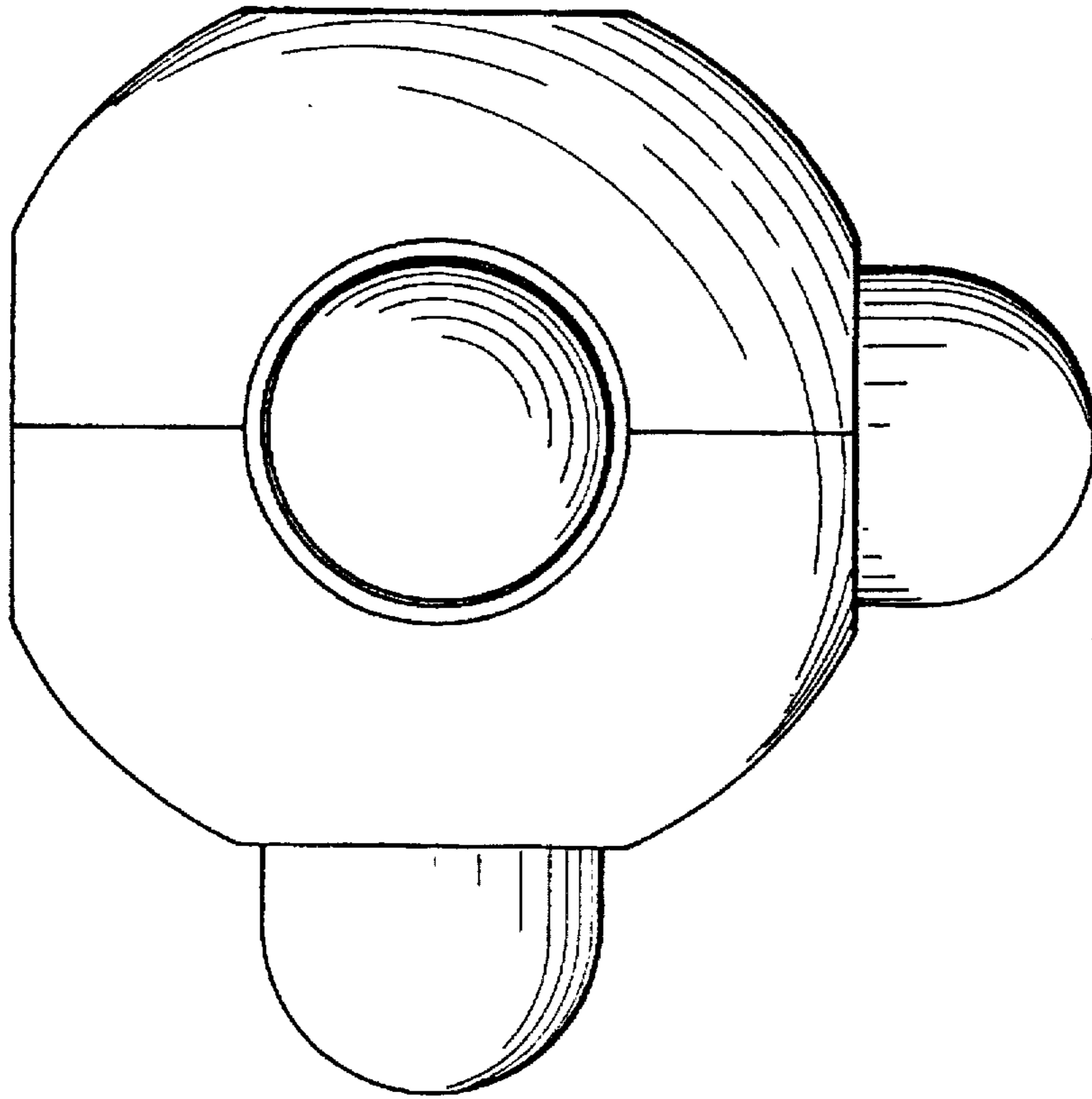


Fig. 3

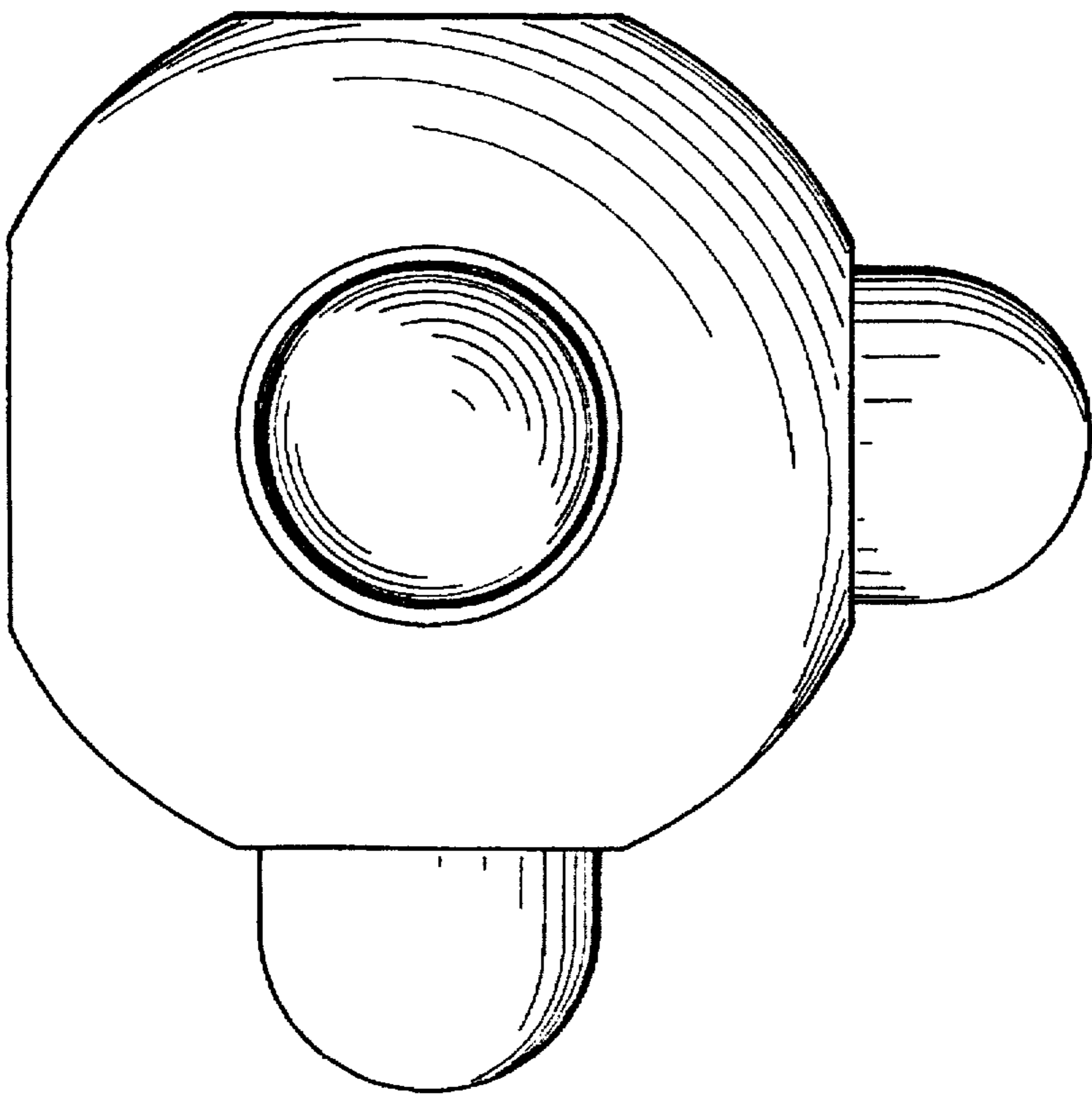


Fig. 5

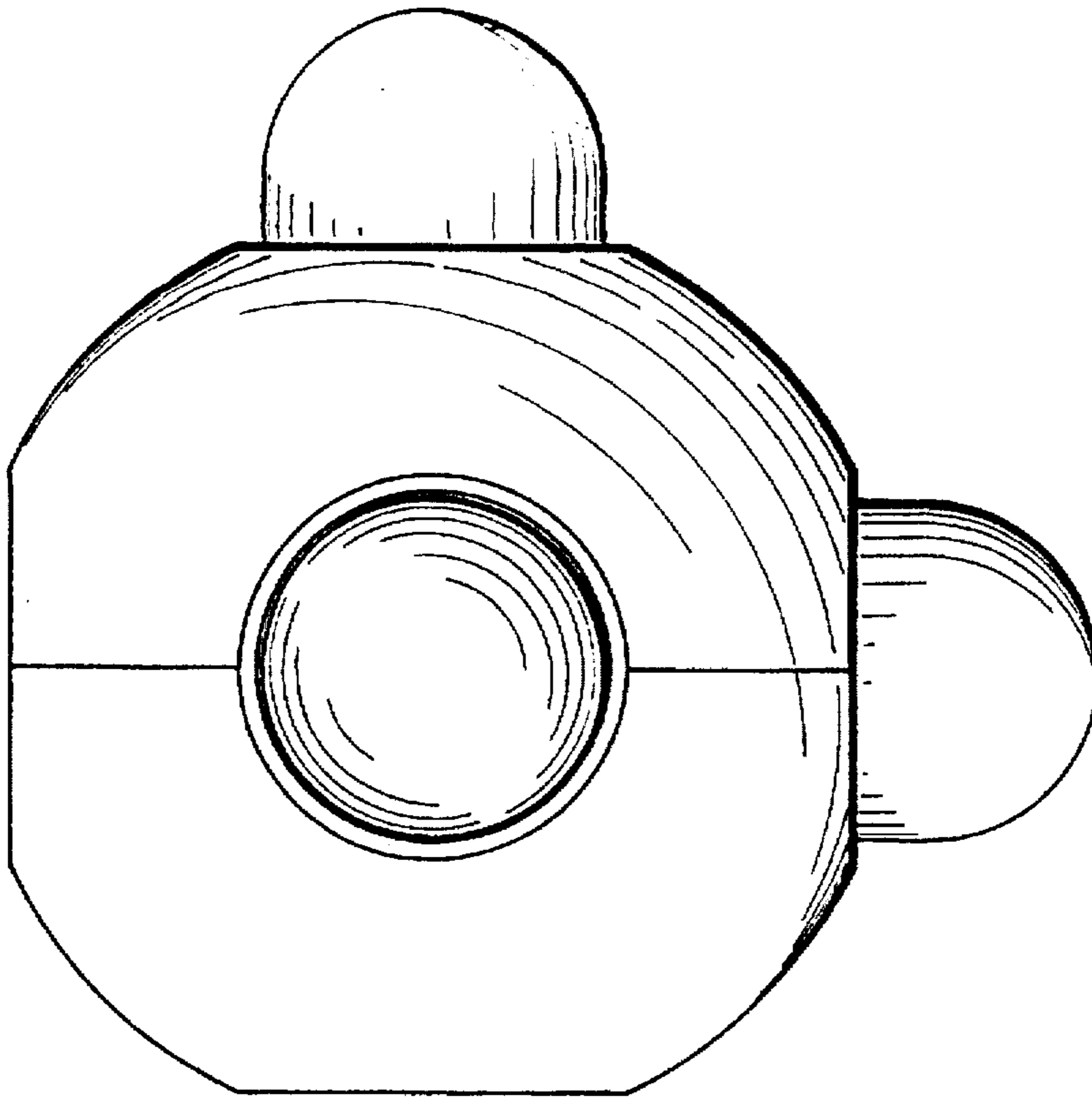


Fig. 6

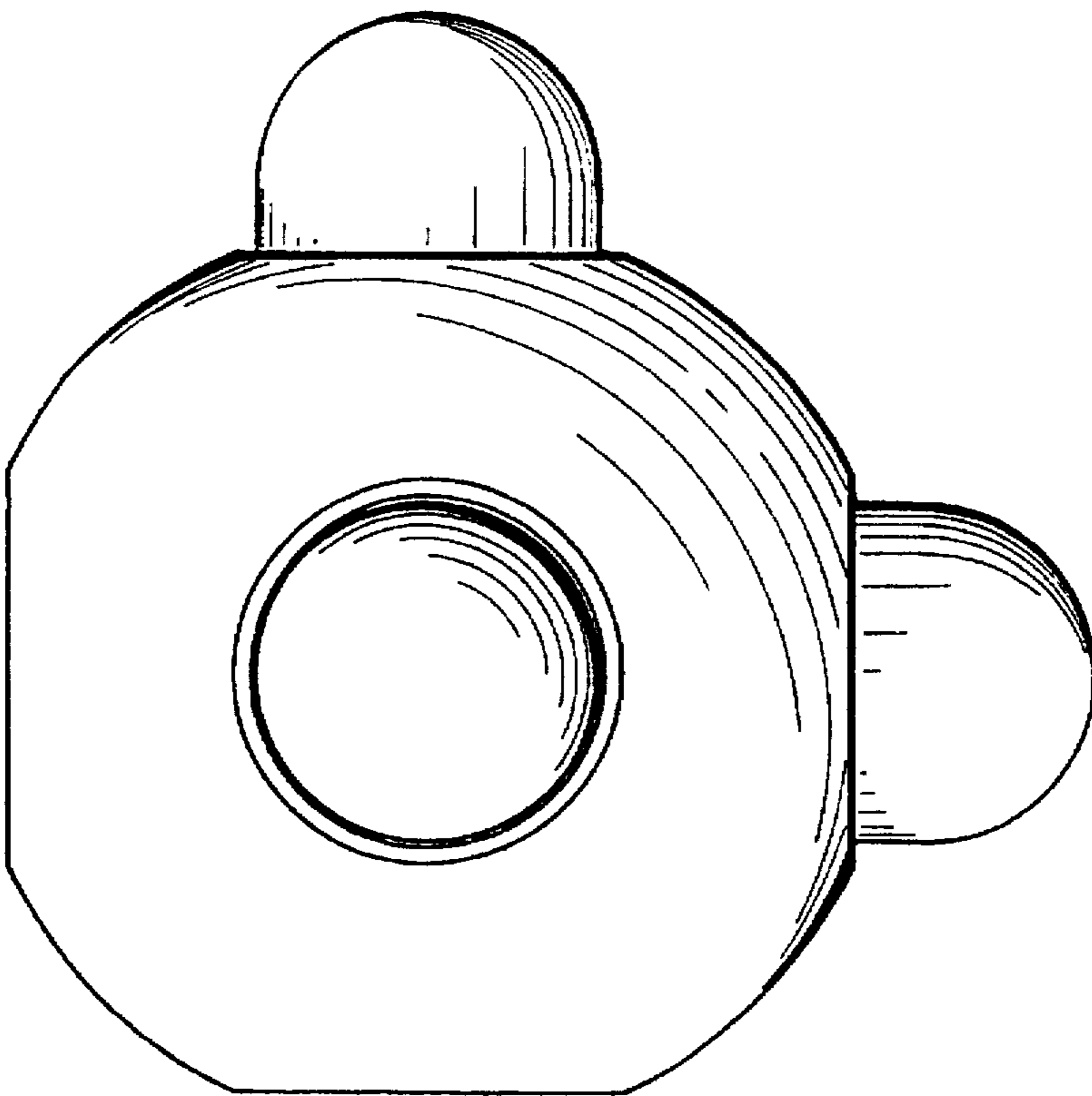


Fig. 4

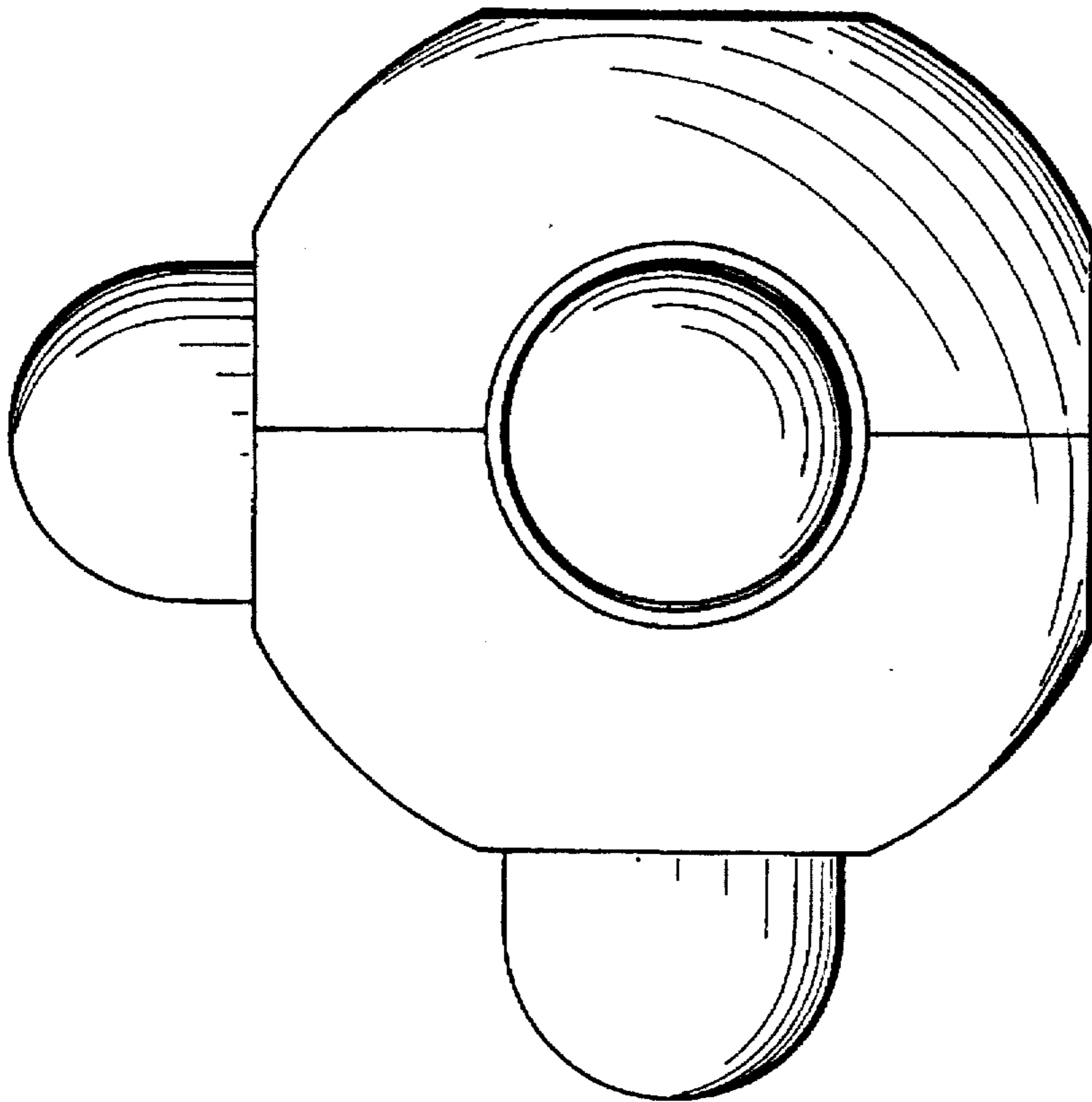


Fig. 7

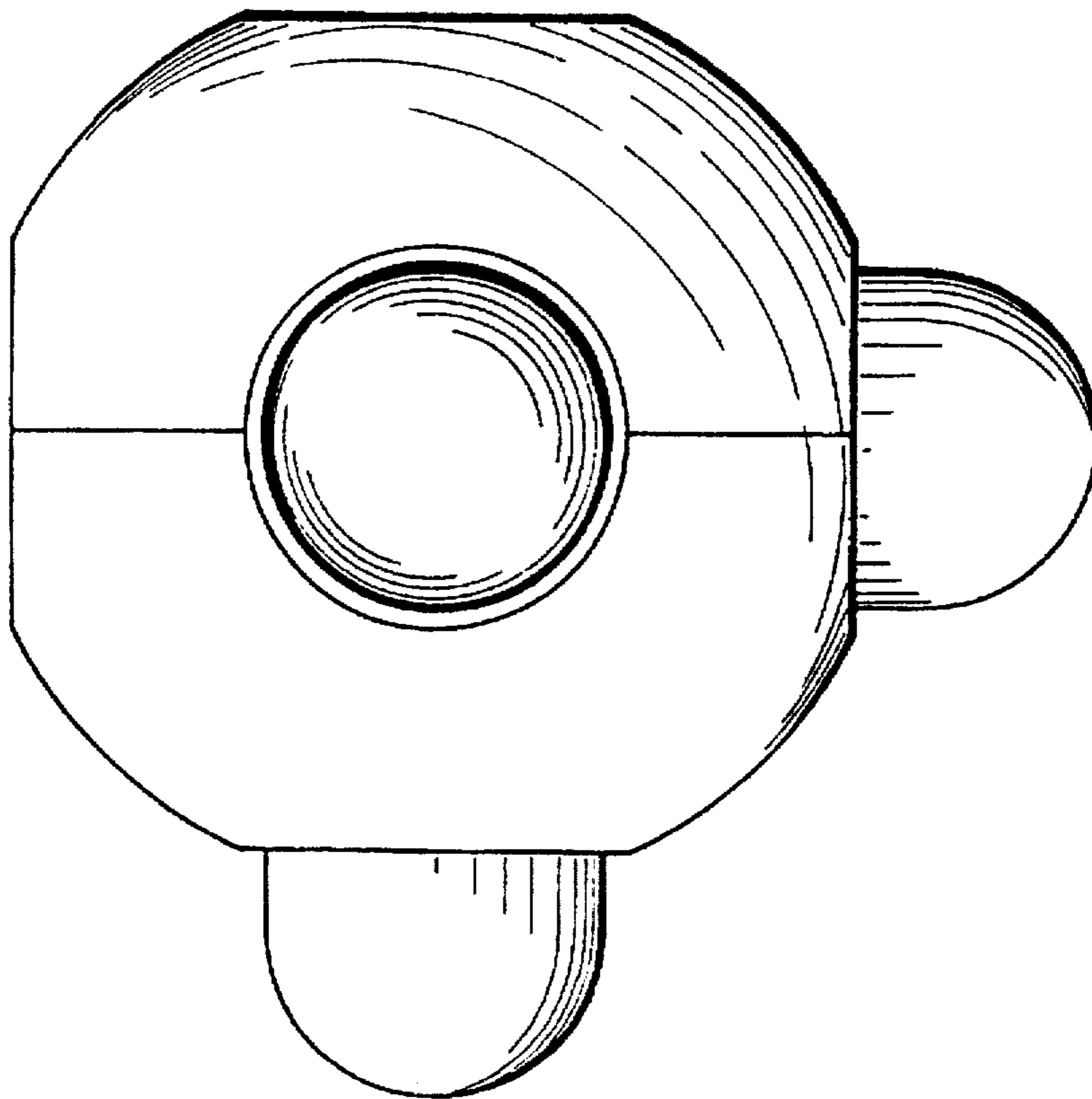


Fig. 8