



US00D390290S

# United States Patent [19]

[11] Patent Number: **Des. 390,290**

Van Der Hoeven et al.

[45] Date of Patent: **\*\*Feb. 3, 1998**

[54] **ABDOMINAL MUSCLES BENCH EXERCISER**

5,122,107	6/1992	Gardner	482/140
5,256,126	10/1993	Grotstein	492/133
5,300,005	4/1994	Wang	482/142
5,308,306	5/1994	Wang	482/133
5,346,447	9/1994	Stearns	482/95
5,441,473	8/1995	Safari et al.	482/140

[76] Inventors: **Martin A. Van Der Hoeven**, 4646  
Rancho Reposo, Del Mar, Calif. 92014;  
**Francois H. Van Der Hoeven**, 1404 E.  
View Ct., Oceanside, Calif. 92056

[\*\*] Term: **14 Years**

*Primary Examiner*—Philip S. Hyder  
*Attorney, Agent, or Firm*—Christie, Parker & Hale, LLP

[21] Appl. No.: **60,135**

[57] **CLAIM**

[22] Filed: **Sep. 23, 1996**

The ornamental design for a abdominal muscles bench exerciser, as shown and described.

[51] **LOC (6) Cl.** ..... **21-02**

[52] **U.S. Cl.** ..... **D21/195**

[58] **Field of Search** ..... D21/191, 192,  
D21/193, 194, 195; 482/140, 142, 133,  
138, 93, 94, 95, 96

**DESCRIPTION**

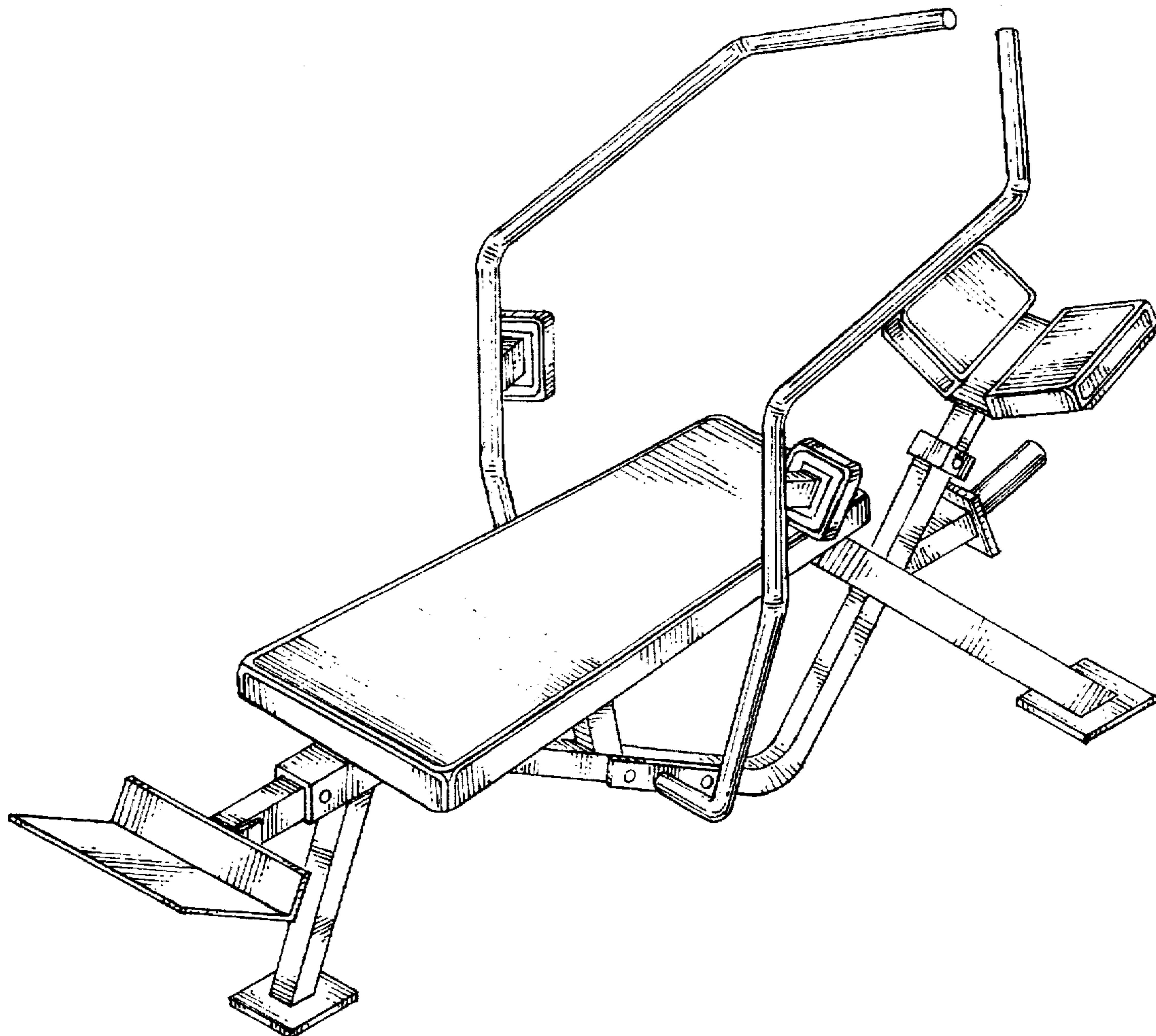
FIG. 1 is a front elevational view of an abdominal muscles bench exerciser showing our new design; FIG. 2 is a back elevational view thereof; FIG. 3 is a left side elevational view thereof, which is also a mirror image of the right side elevational view; FIG. 4 is a top elevational view thereof; FIG. 5 is a bottom elevational view thereof; and, FIG. 6 is a perspective view thereof.

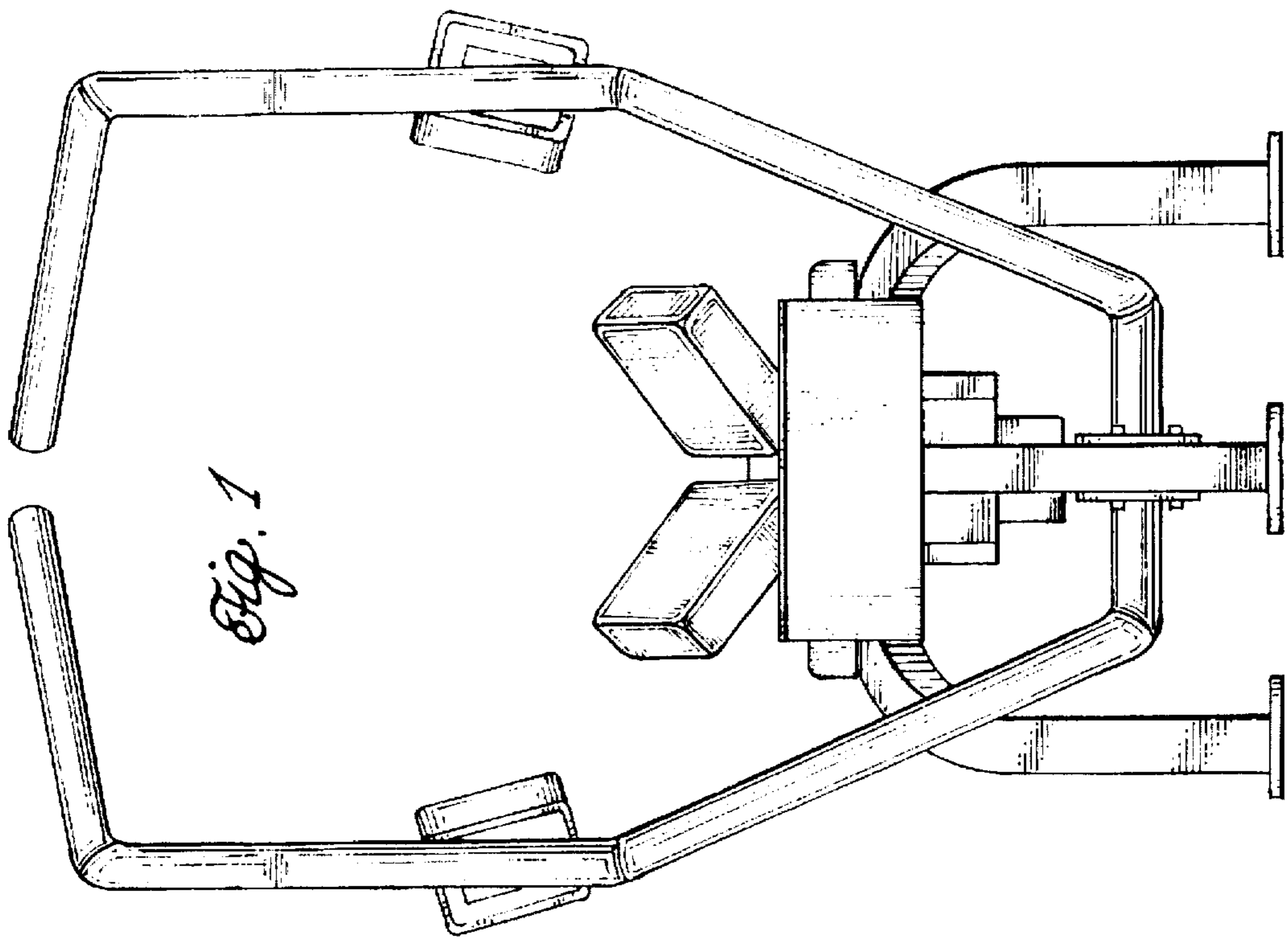
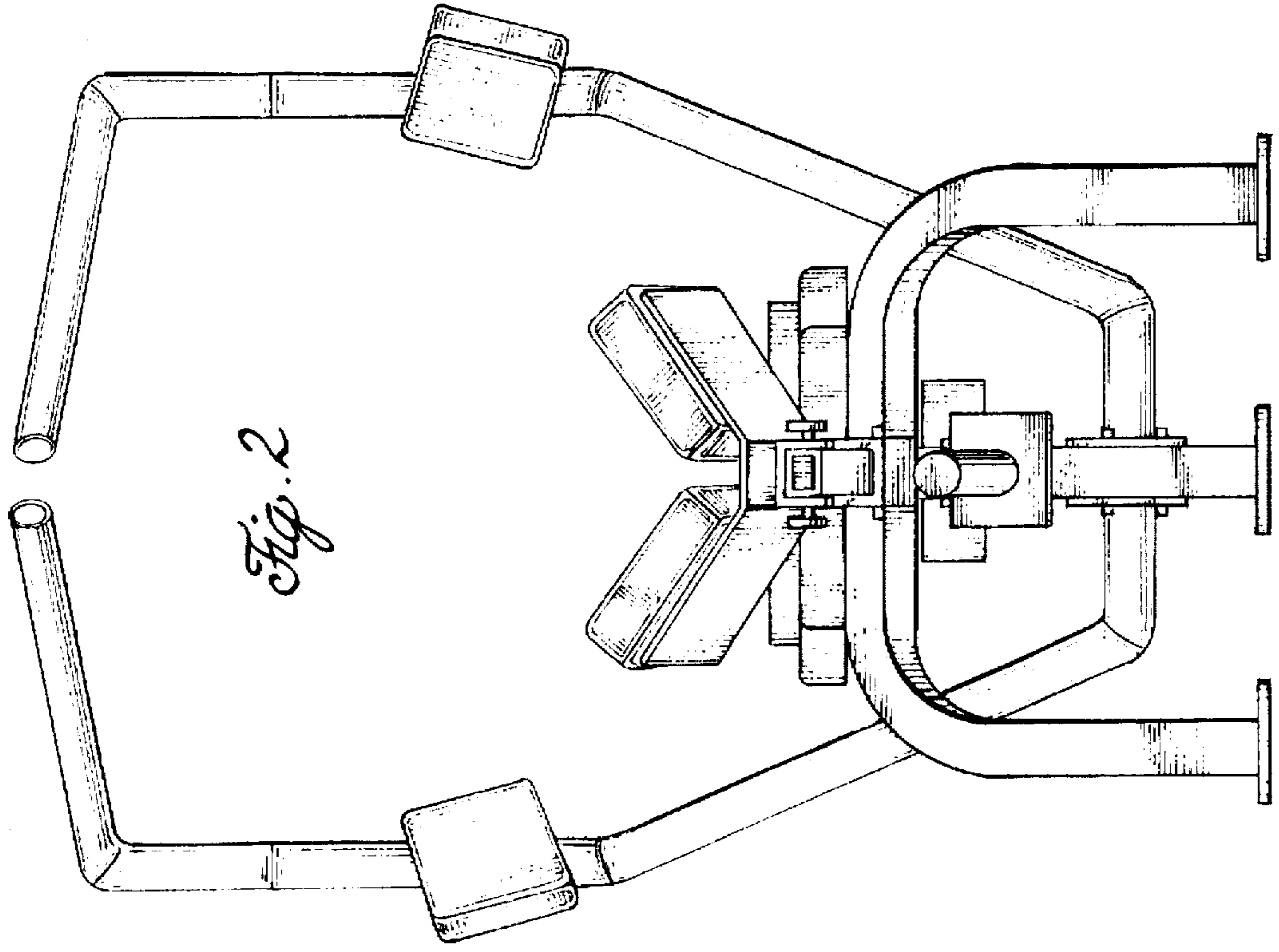
[56] **References Cited**

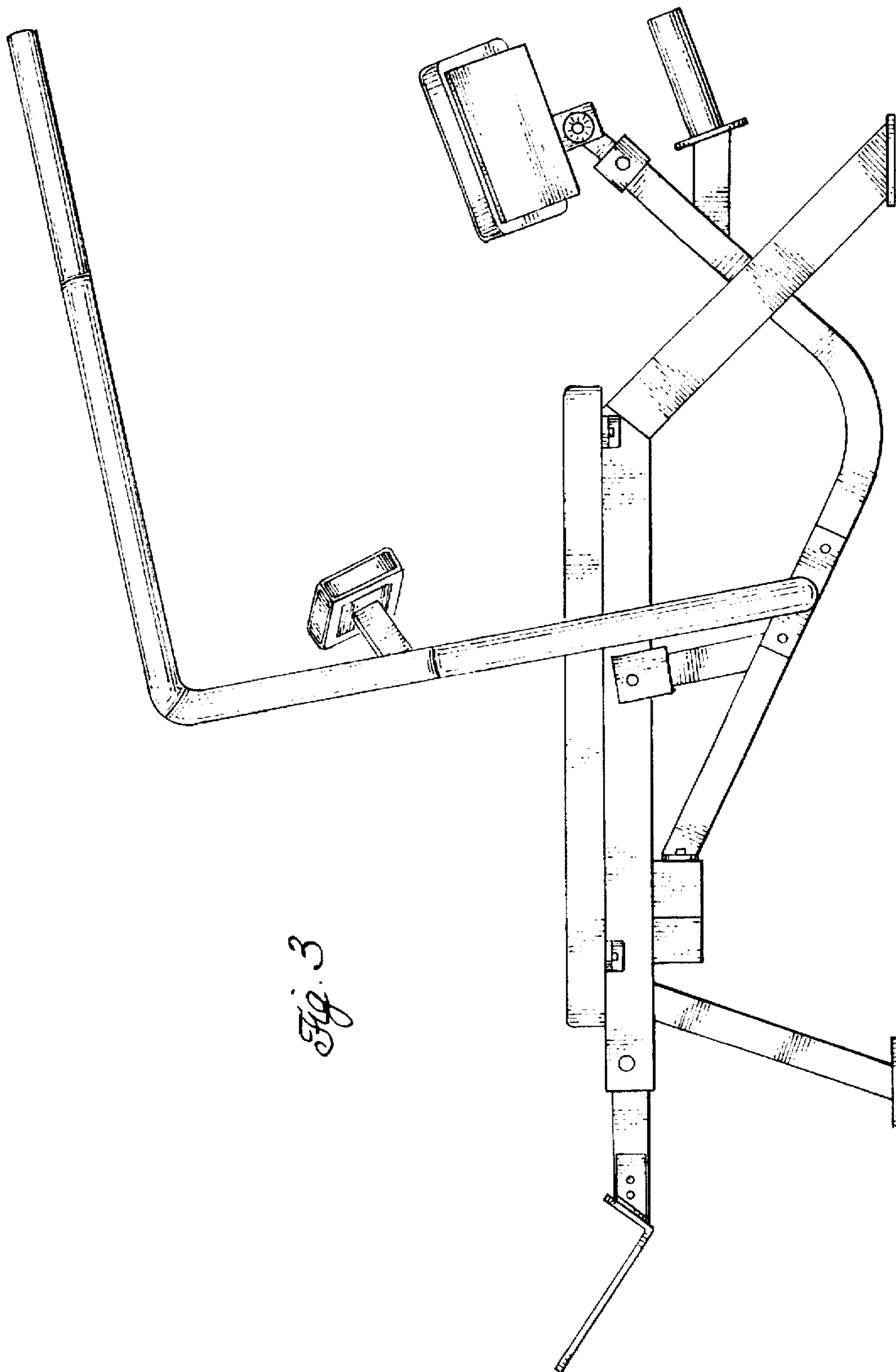
**U.S. PATENT DOCUMENTS**

D. 321,391	11/1991	Jones	D21/195
D. 357,954	5/1995	Lee	D21/195
4,372,553	2/1983	Hatfield	482/140
4,508,335	4/1985	Kelley et al.	482/140

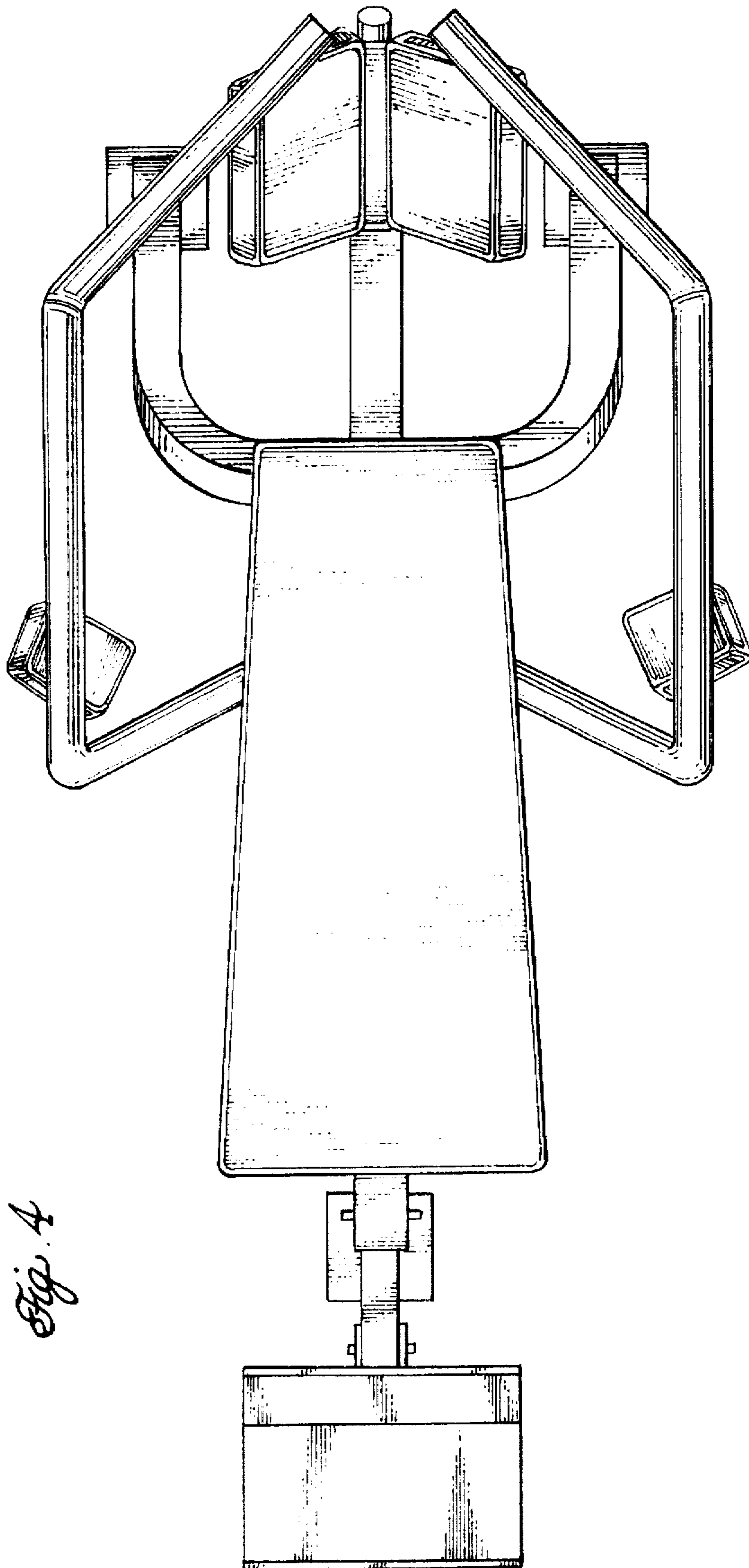
**1 Claim, 5 Drawing Sheets**



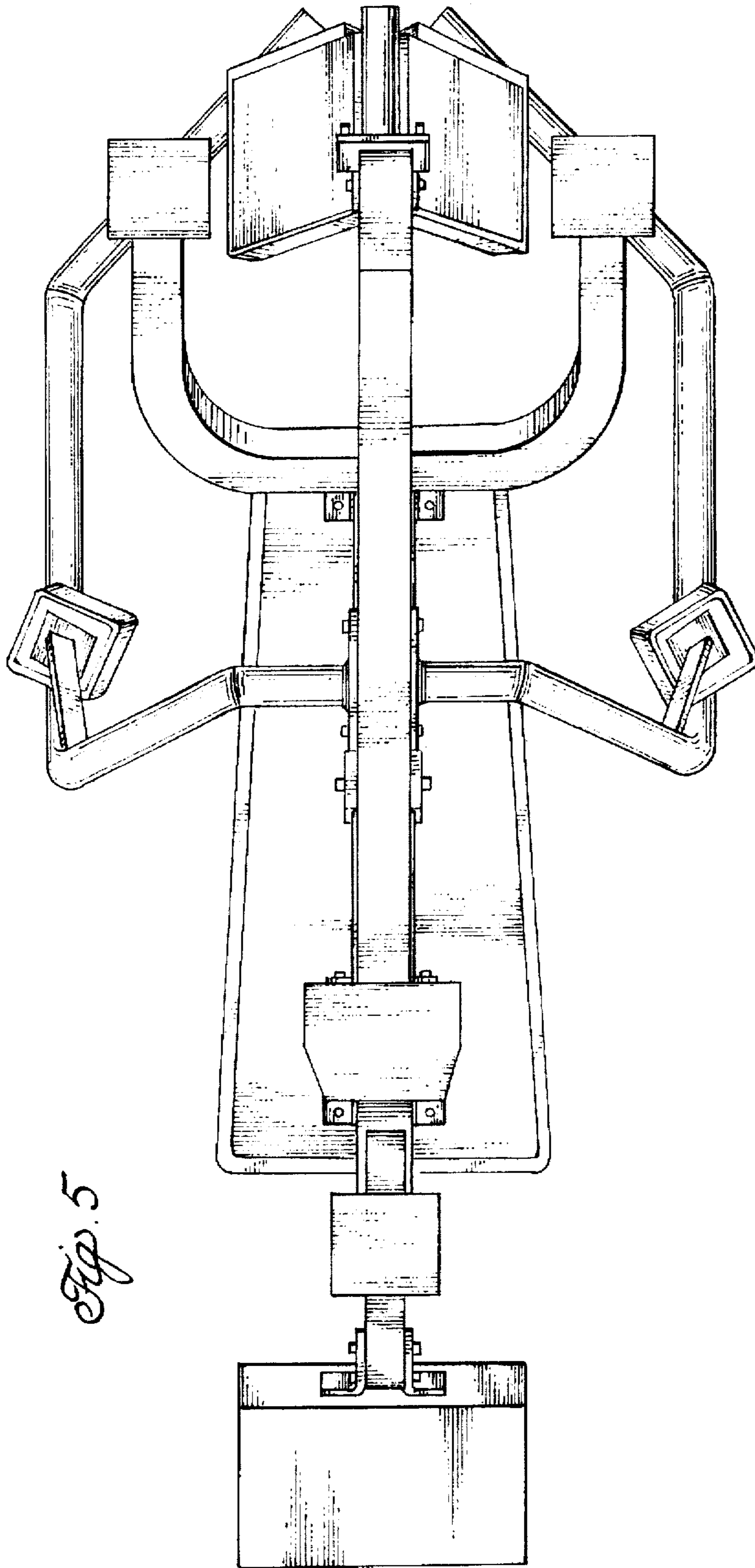




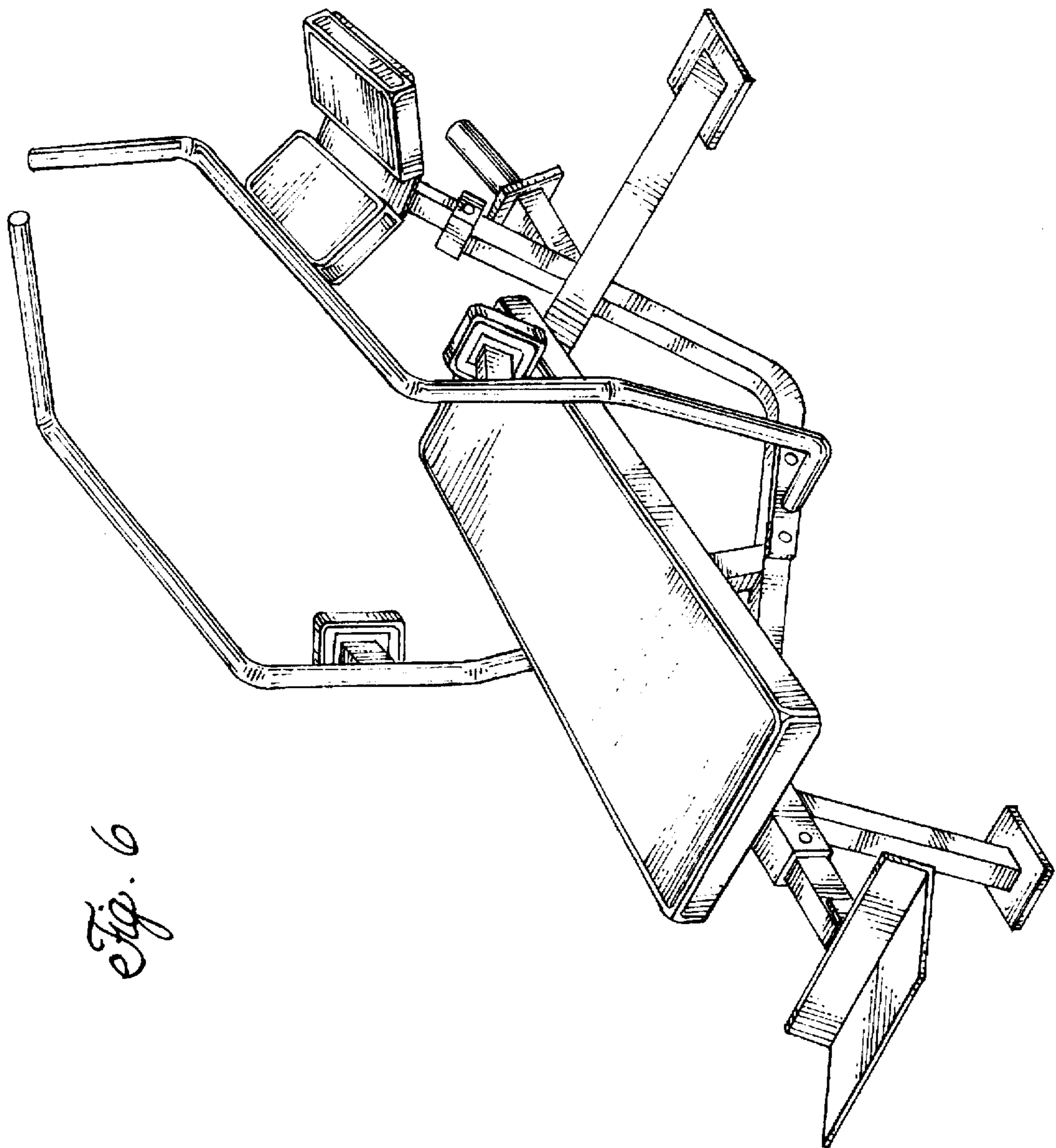
*Fig. 3*



*Fig. 4*



*Fig. 5*



*Fig. 6*

UNITED STATES PATENT AND TRADEMARK OFFICE  
**CERTIFICATE OF CORRECTION**

PATENT NO. : Des. 390,290  
DATED : February 3, 1998  
INVENTOR(S) : Martin A. Van Der Hoeven; Francois H. Van Der Hoeven

It is certified that error appears in the above-identified patent and that said Letters Patent is hereby corrected as shown below:

On the title page and column 1,  
Item 54, in the title, change "ABDOMNAL" TO -- ABDOMINAL --.

Signed and Sealed this  
Fourteenth Day of April, 1998



Attest:

BRUCE LEHMAN

Attesting Officer

Commissioner of Patents and Trademarks