

US00D390289S

United States Patent [19]
Chen

[11] **Patent Number:** **Des. 390,289**
[45] **Date of Patent:** ****Feb. 3, 1998**

[54] **STRIDING EXERCISER**

[76] **Inventor:** **Paul Chen**, 5 F., No. 31, Gan Tzou 2nd Street, Shi Tun Chu, Taichung, Taiwan

[**] **Term:** **14 Years**

[21] **Appl. No.:** **58,267**

[22] **Filed:** **Aug. 9, 1996**

[51] **LOC (6) Cl.** **21-02**

[52] **U.S. Cl.** **D21/191; D21/191**

[58] **Field of Search** **D21/191, 193, D21/194, 195; 482/70, 51, 54, 57, 91, 92**

[56] **References Cited**

U.S. PATENT DOCUMENTS

| | | | | |
|------------|---------|--------------------|-------|---------|
| D. 328,934 | 8/1992 | Friedebach | | D21/191 |
| D. 340,095 | 10/1993 | Friedebach | | D21/195 |
| D. 343,214 | 1/1994 | Easley et al. | | D21/191 |
| D. 345,593 | 3/1994 | Gerschefske et al. | | D21/191 |
| D. 351,435 | 10/1994 | Peterson et al. | | D21/191 |
| D. 352,535 | 11/1994 | Miller | | D21/191 |

| | | | | |
|------------|--------|---------------|-------|---------|
| D. 358,436 | 5/1995 | Piaget et al. | | D21/192 |
| 5,407,409 | 4/1995 | Tang | | 482/70 |

Primary Examiner—Philip S. Hyder
Attorney, Agent, or Firm—Charles E. Baxley, Esq.

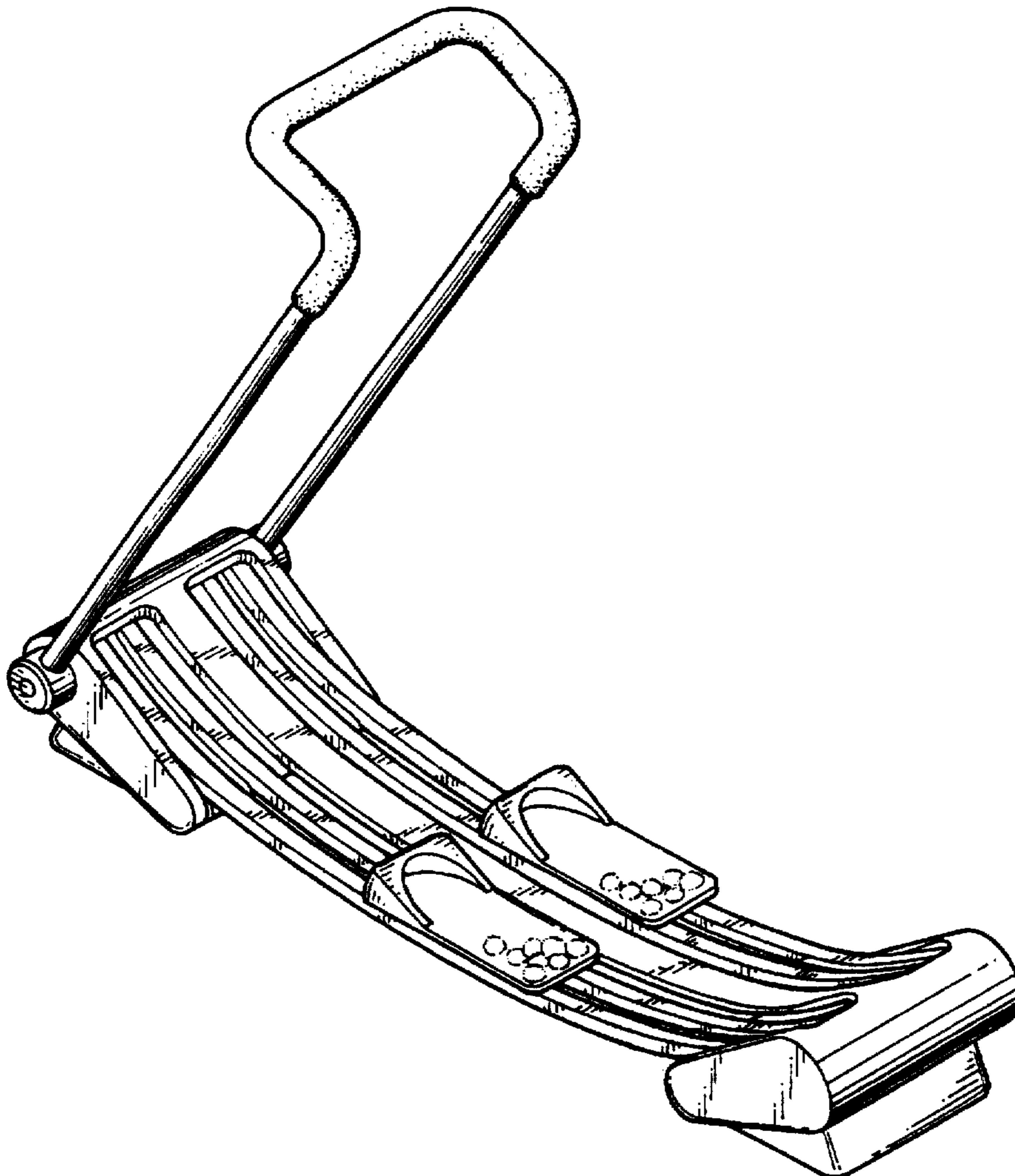
[57] **CLAIM**

The ornamental design for a striding exerciser, as shown and described.

DESCRIPTION

FIG. 1 is a perspective view of a striding exerciser showing my new design;
FIG. 2 is a front elevational view thereof;
FIG. 3 is a rear elevational view thereof;
FIG. 4 is a top plan view thereof;
FIG. 5 is a bottom plan view thereof;
FIG. 6 is a left side elevational view thereof; and,
FIG. 7 is a right side elevational view thereof.
The broken line showings of the tread pattern in FIGS. 1 through 4 is for illustrative purposes only and forms no part of the claimed design.

1 Claim, 3 Drawing Sheets



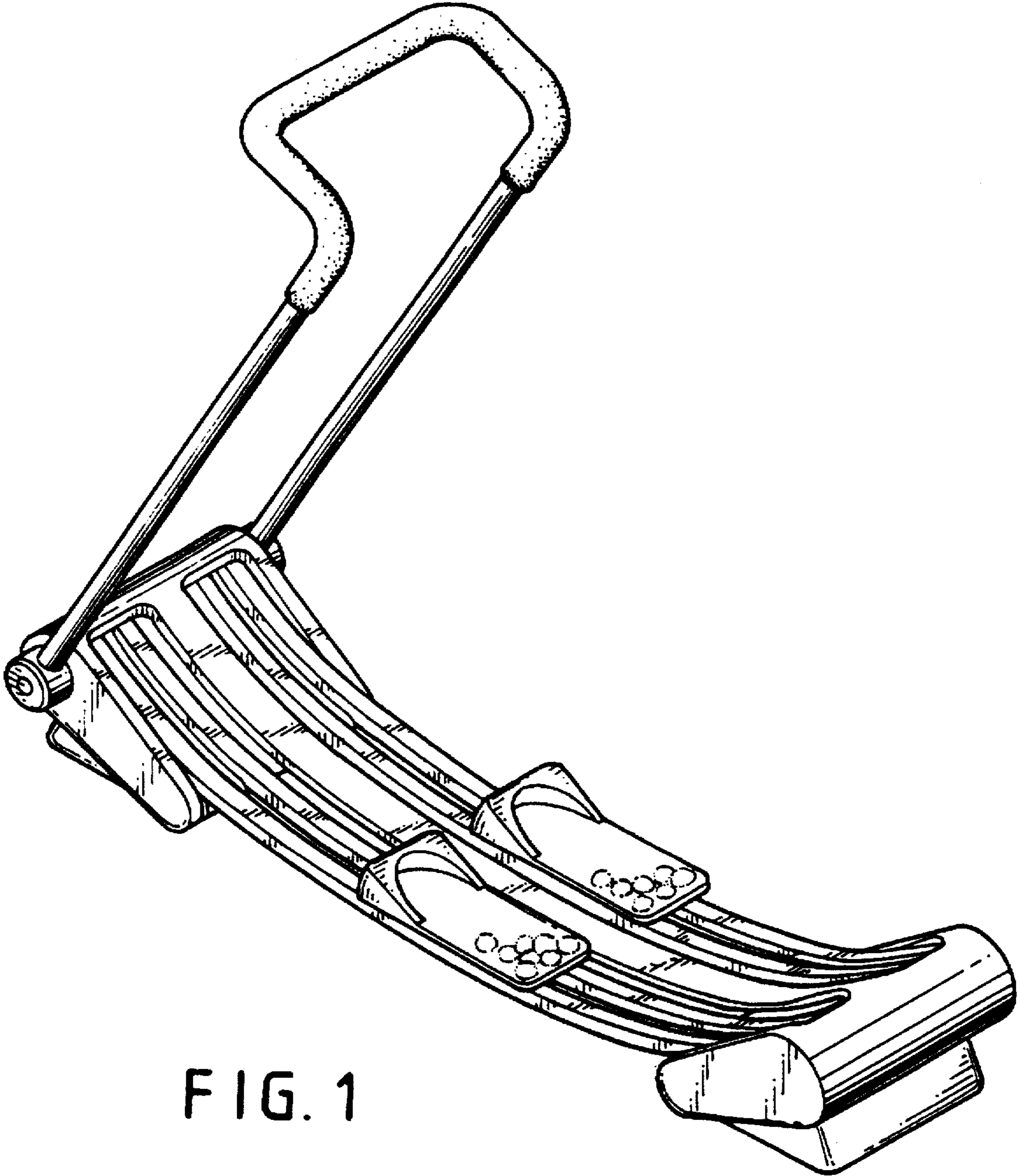
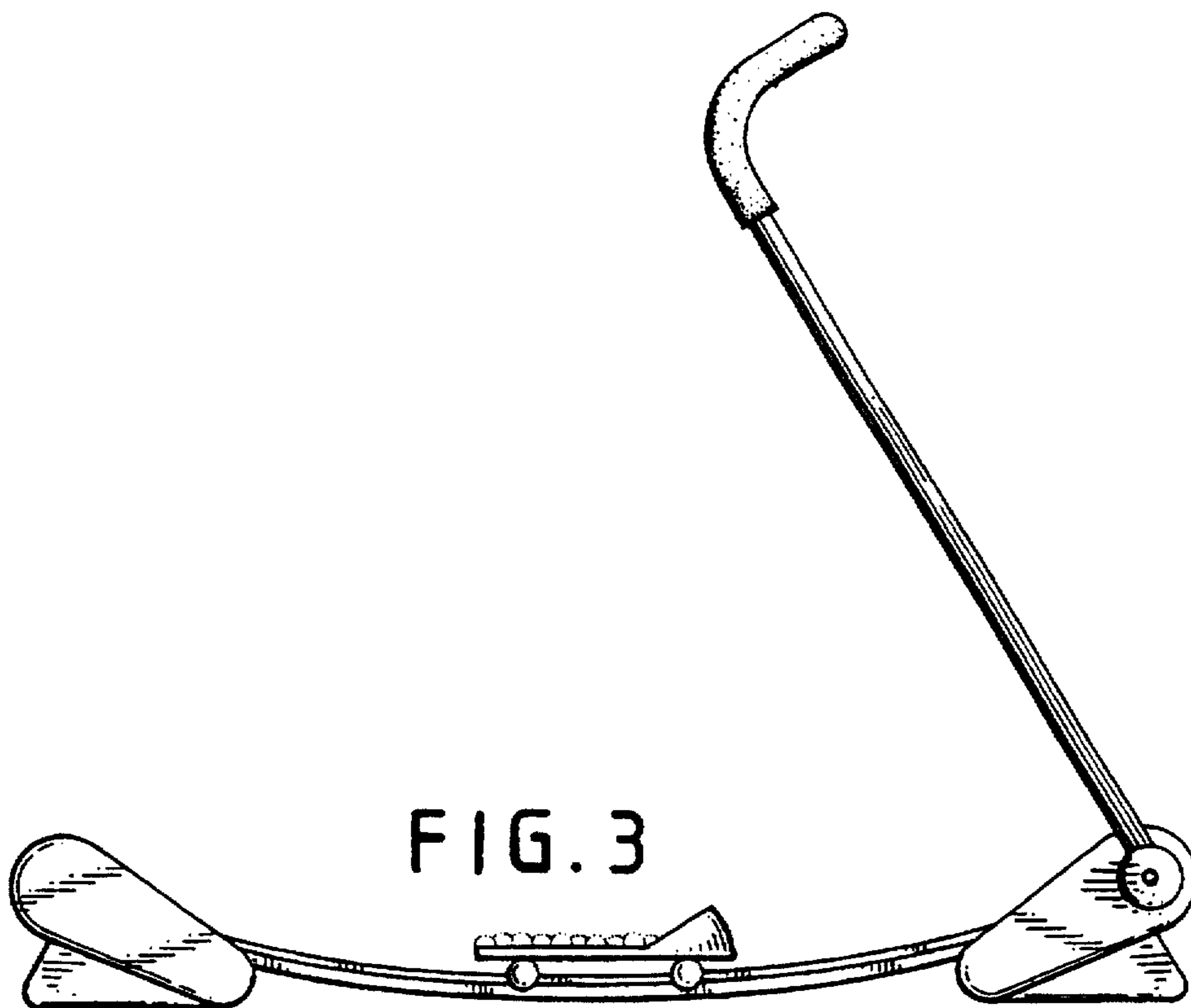
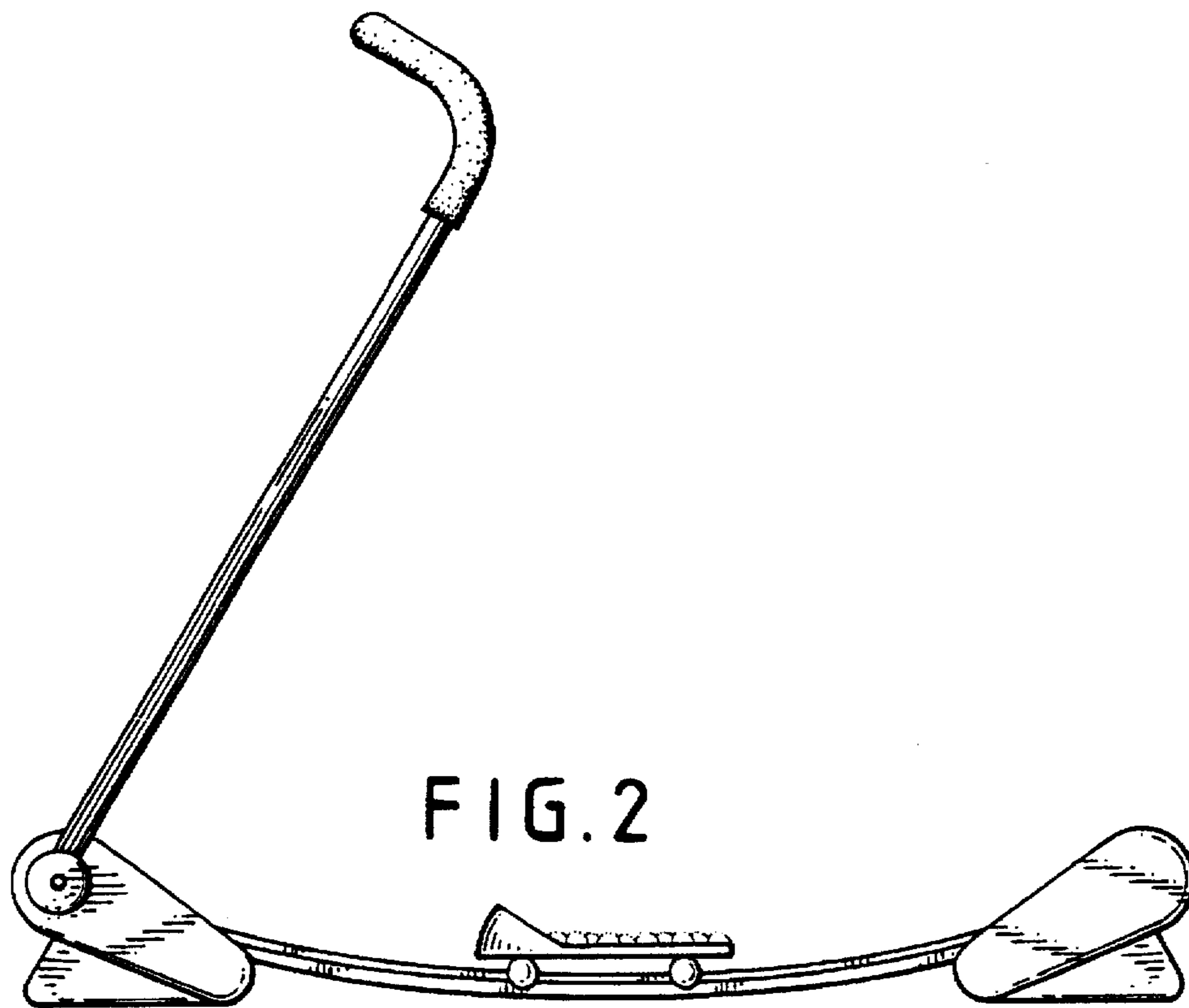


FIG. 1



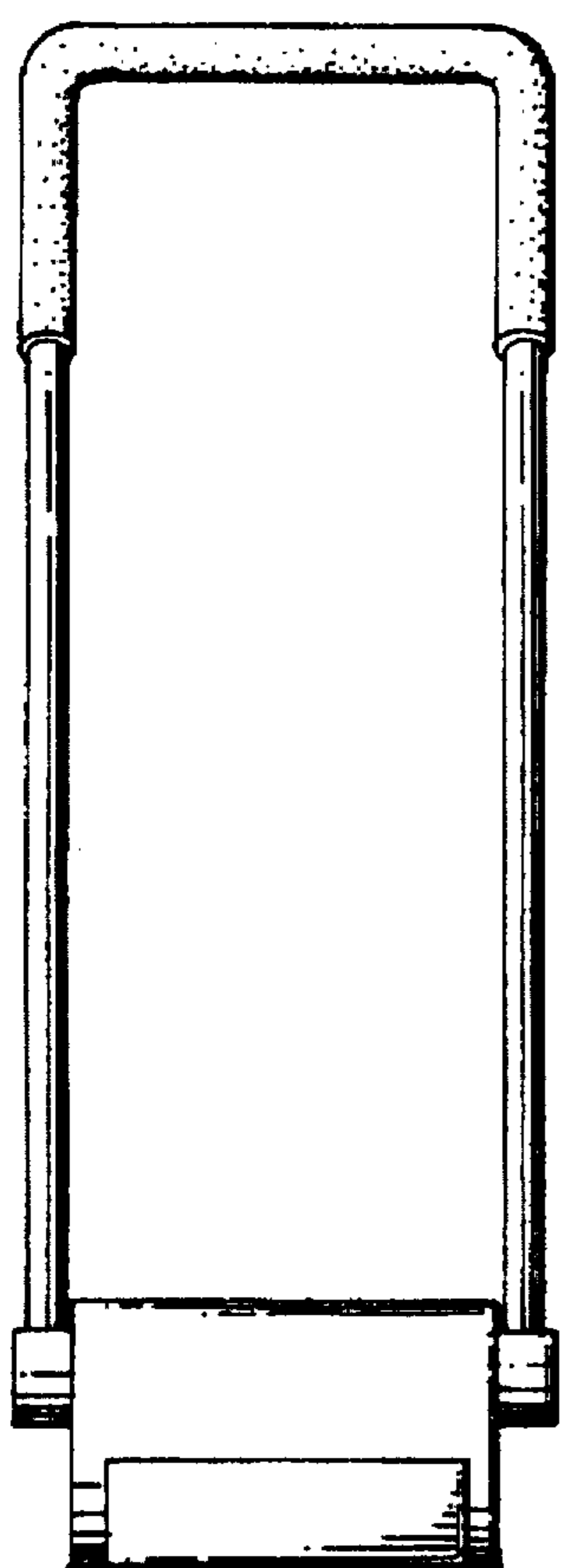


FIG. 6

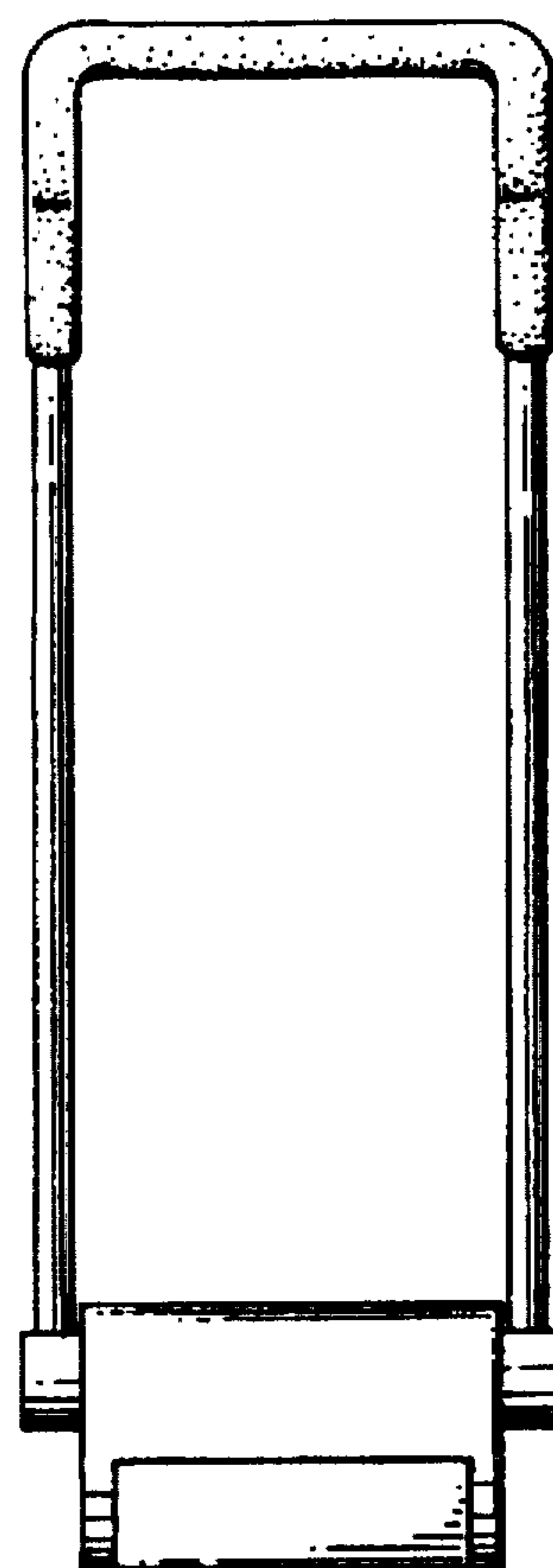


FIG. 7

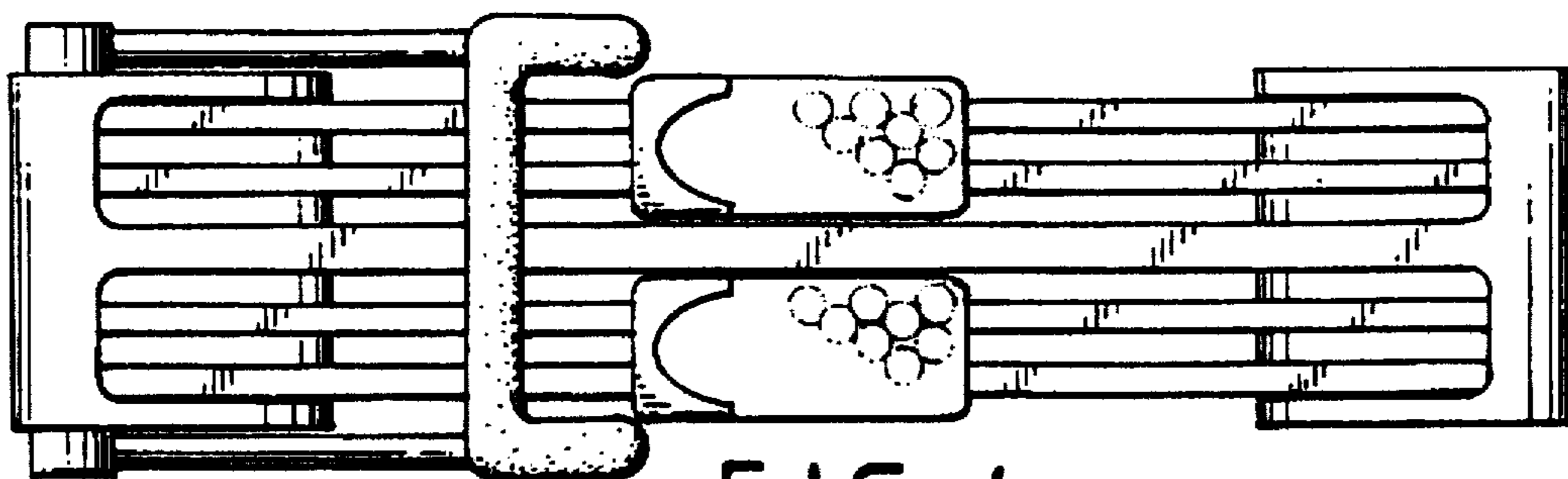


FIG. 4



FIG. 5