



US00D390287S

United States Patent [19]

[11] Patent Number: **Des. 390,287**

Hsieh et al.

[45] Date of Patent: ****Feb. 3, 1998**

[54] WEIGHT LIFTING BENCH

[75] Inventors: **Yi Fong Hsieh**, Succasunna, N.J.;
James P. Angeles, Boulder, Colo.

[73] Assignee: **LifeGear, Inc.**, Rockaway Township,
N.J.

[**] Term: **14 Years**

[21] Appl. No.: **54,958**

[22] Filed: **May 24, 1996**

[51] LOC (6) Cl. **21-02**

[52] U.S. Cl. **D21/191**

[58] Field of Search **D21/191, 195;**
446/93, 94, 97, 104, 106, 130, 133-135,
137, 142

[56] References Cited

U.S. PATENT DOCUMENTS

D. 366,915	2/1996	Clem	D21/191
5,066,004	11/1991	Jones	482/137
5,387,171	2/1995	Casey et al.	482/133
5,393,286	2/1995	Cheng	482/130
5,429,570	7/1995	Beyer	482/106

OTHER PUBLICATIONS

Evans 1994-1995 Catalog, p. 361y, Weider Butterfly Bench, #2.

Primary Examiner—Sandra L. Morris
Attorney, Agent, or Firm—David L. Davis

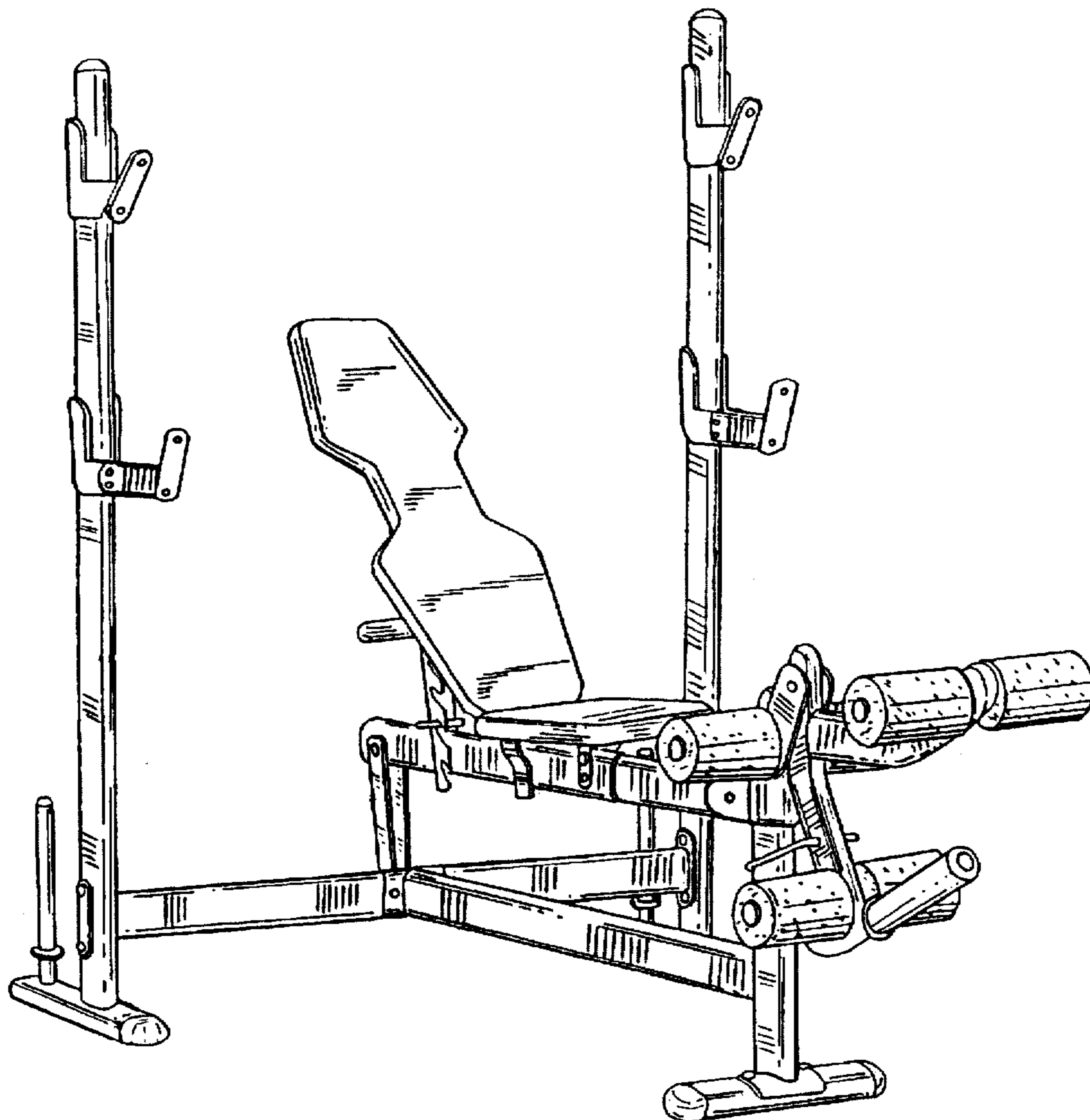
[57] CLAIM

The ornamental design for a weight lifting bench, as shown and described.

DESCRIPTION

FIG. 1 is a top, front and left side perspective view of a weight lifting bench showing our new design;
 FIG. 2 is a front elevational view thereof;
 FIG. 3 is a rear elevational view thereof;
 FIG. 4 is a left side elevational view thereof, the right side elevational view being a mirror image;
 FIG. 5 is a top plan view thereof;
 FIG. 6 is a bottom plan view thereof;
 FIG. 7 is a cross-sectional view taken along the line 7-7 in FIG. 1; and,
 FIG. 8 is a top, front and right side perspective view of an alternate embodiment of our new design.

1 Claim, 7 Drawing Sheets



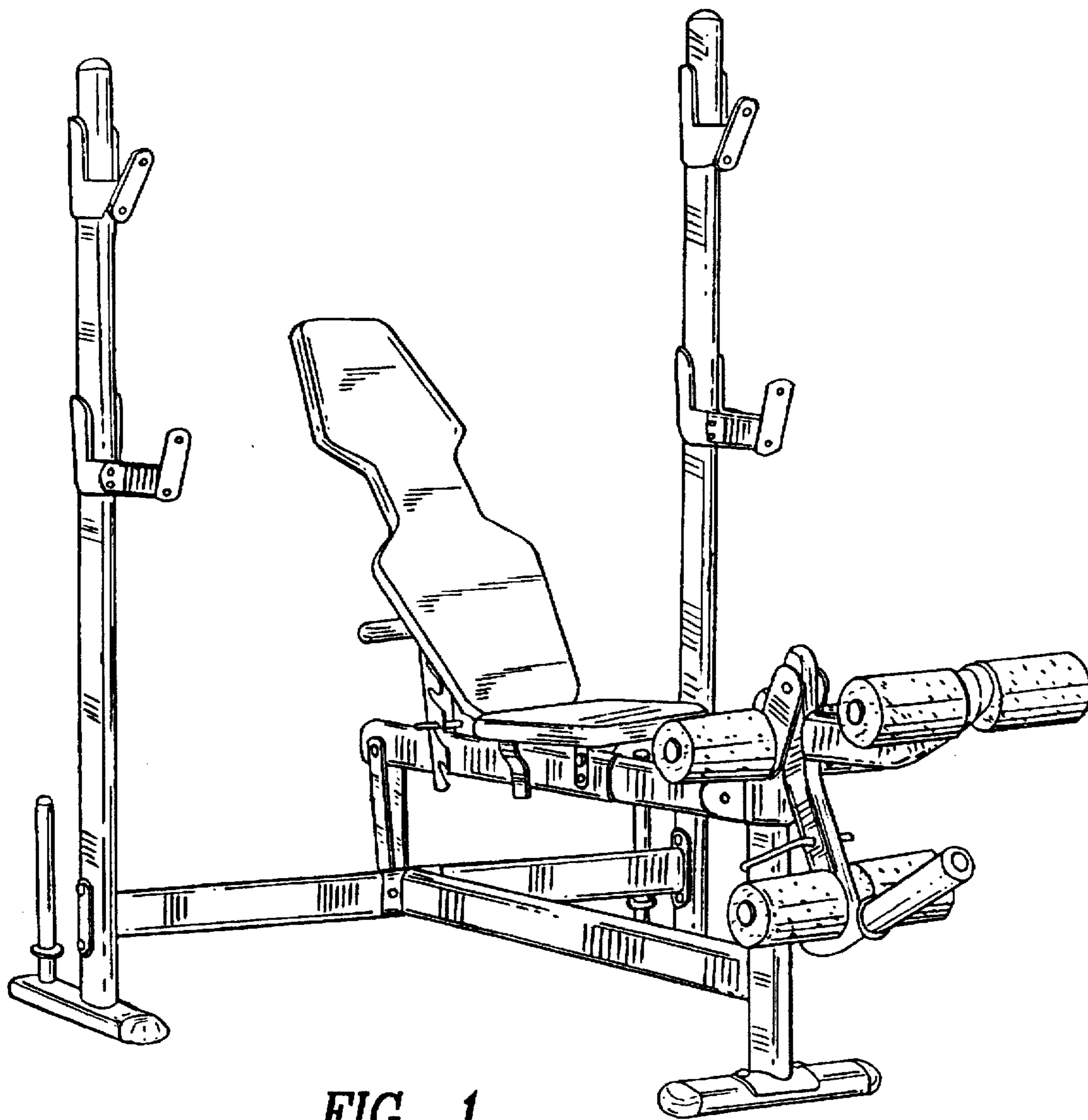


FIG. 1

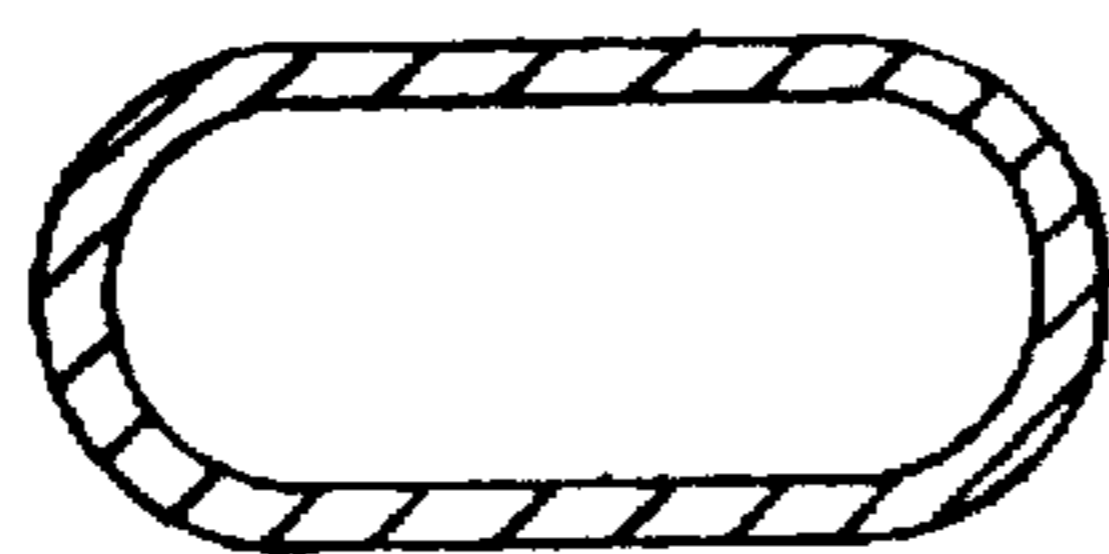


FIG. 7

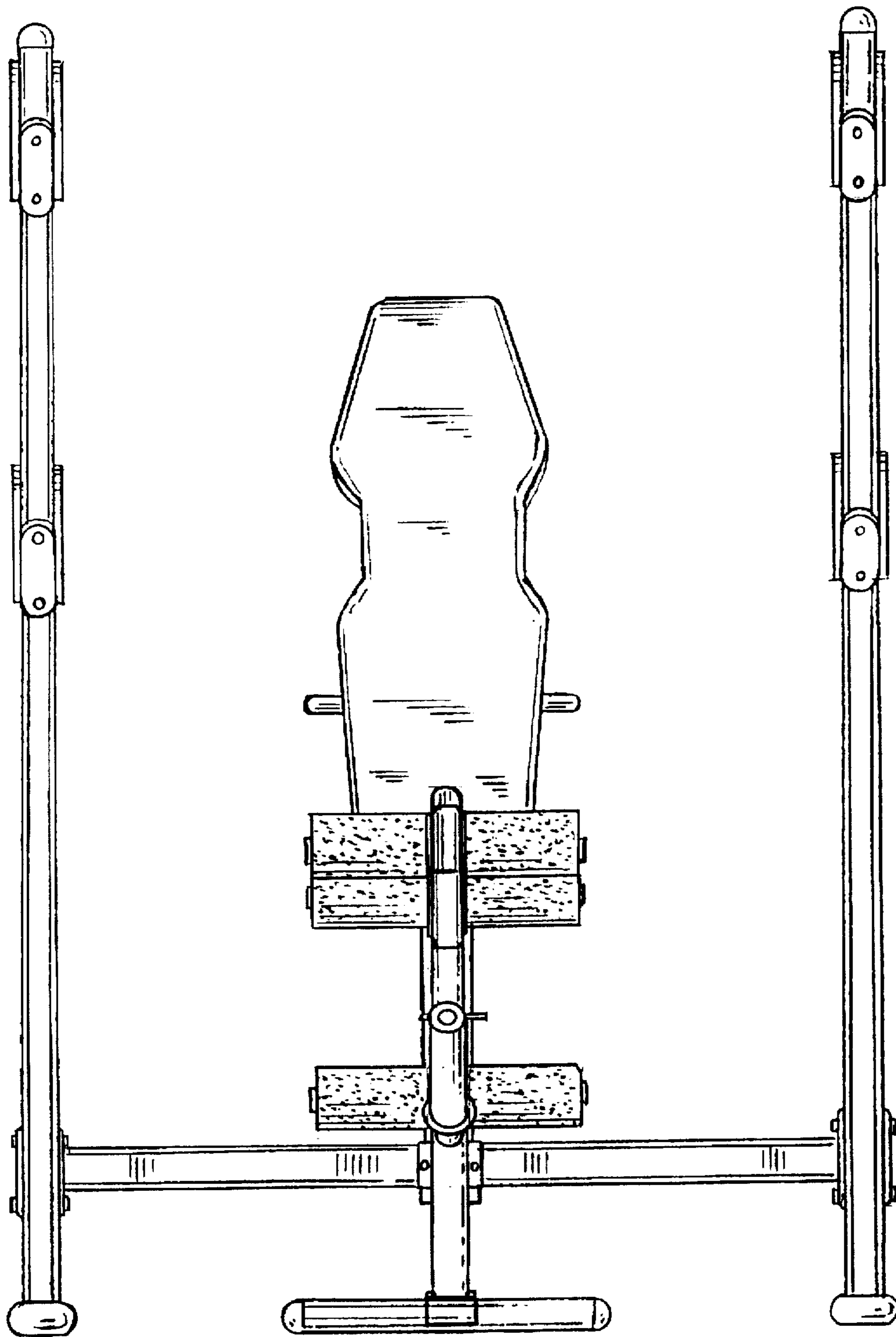


FIG. 2

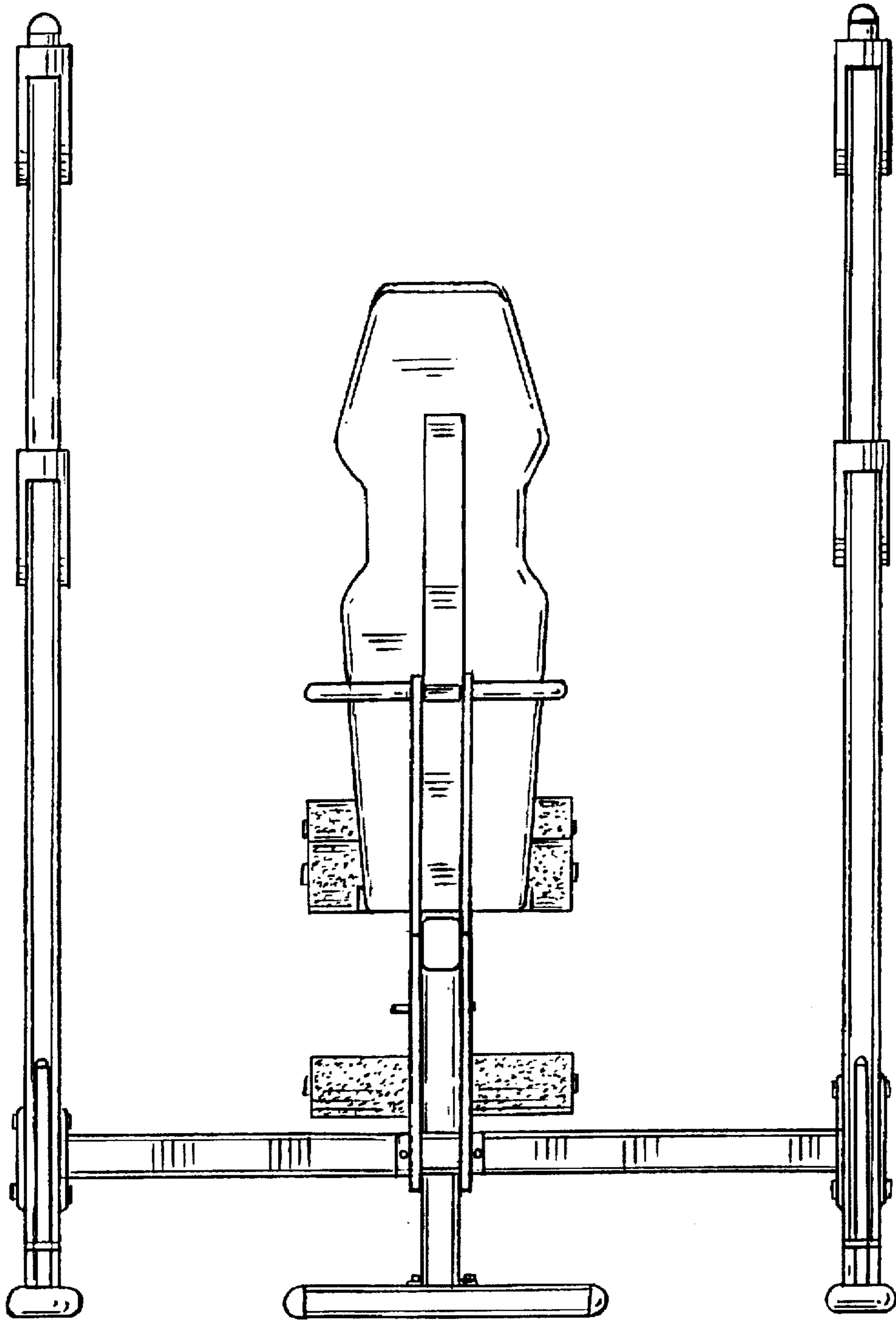


FIG. 3

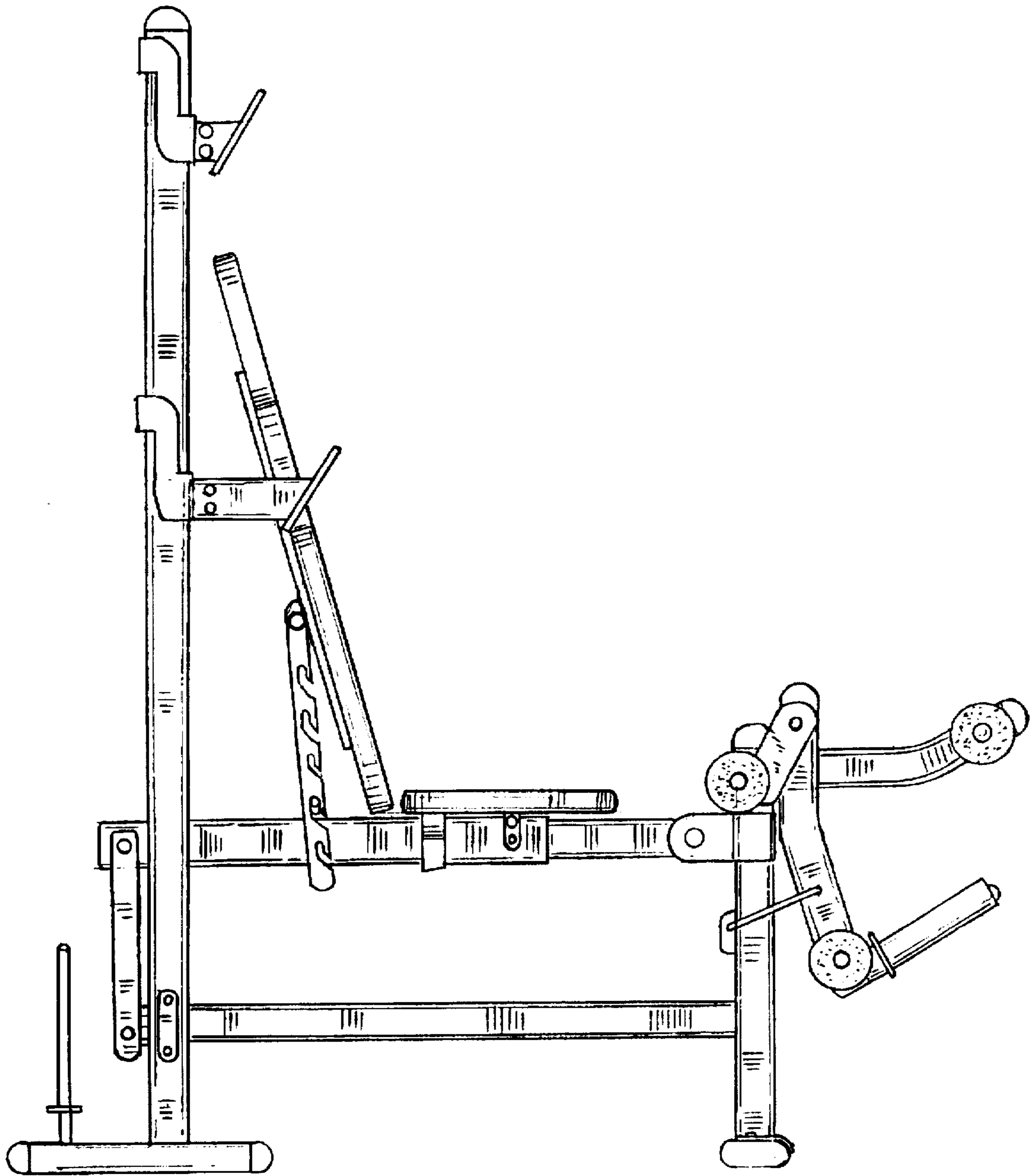


FIG. 4

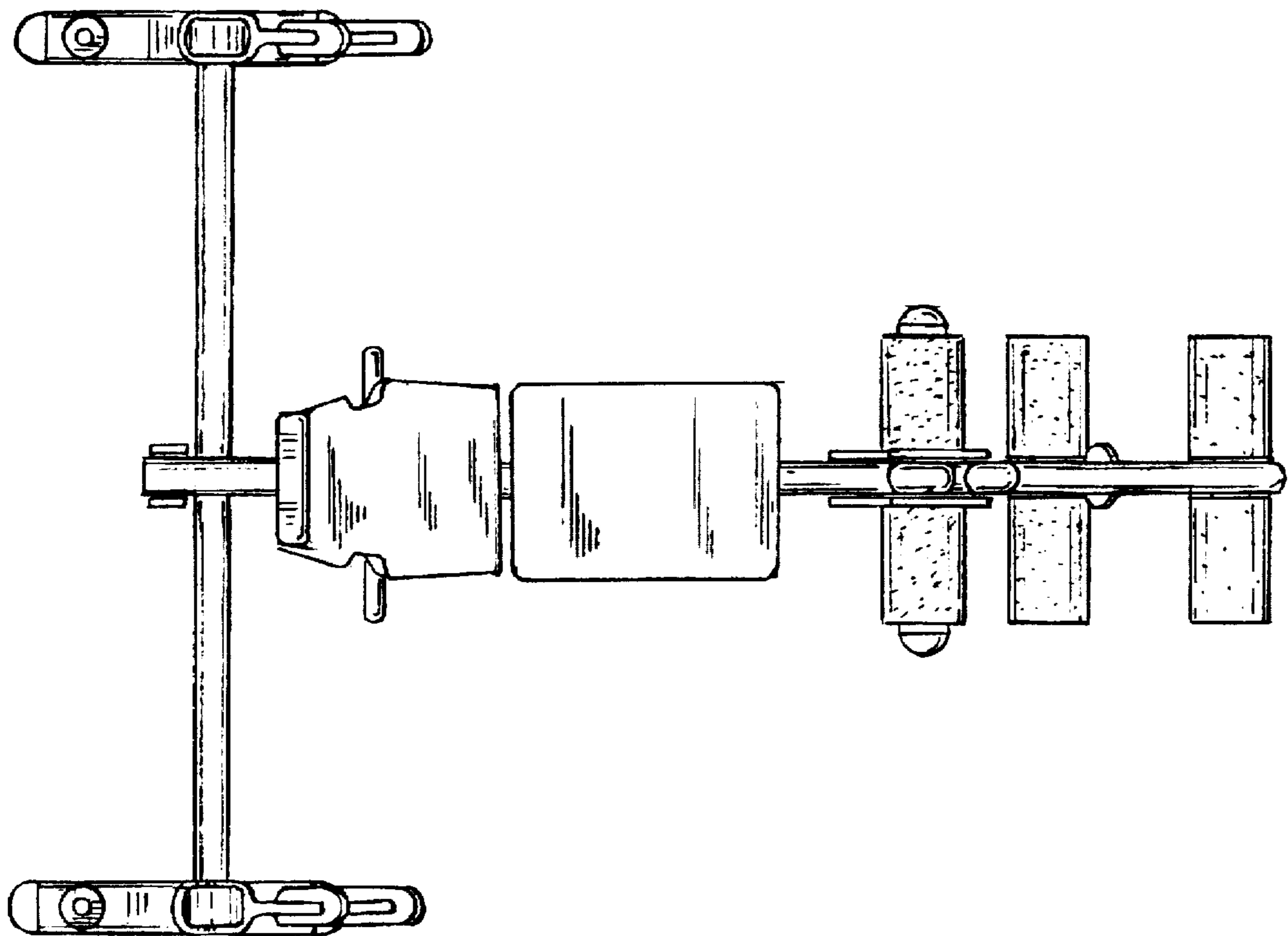


FIG. 5

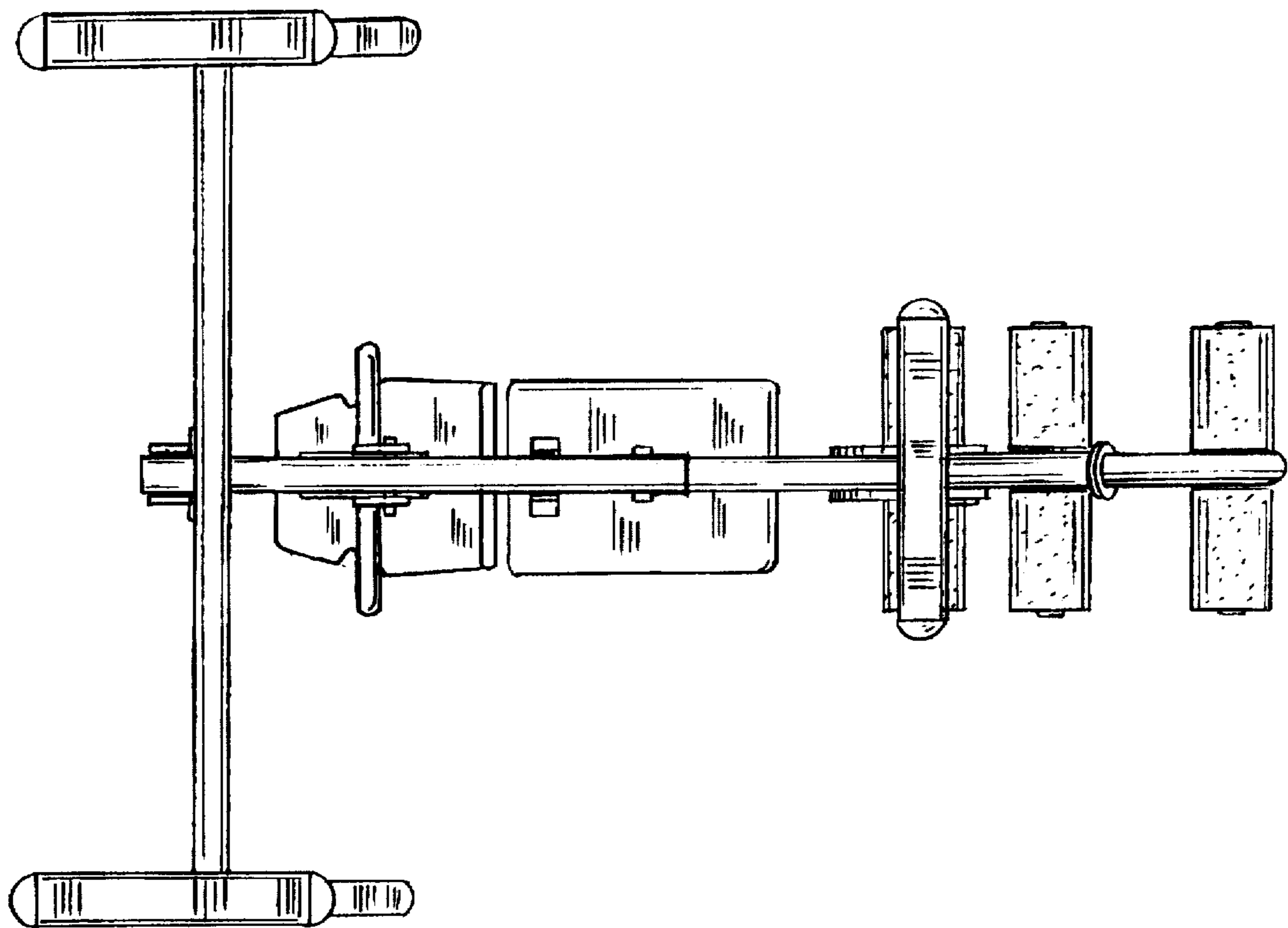


FIG. 6

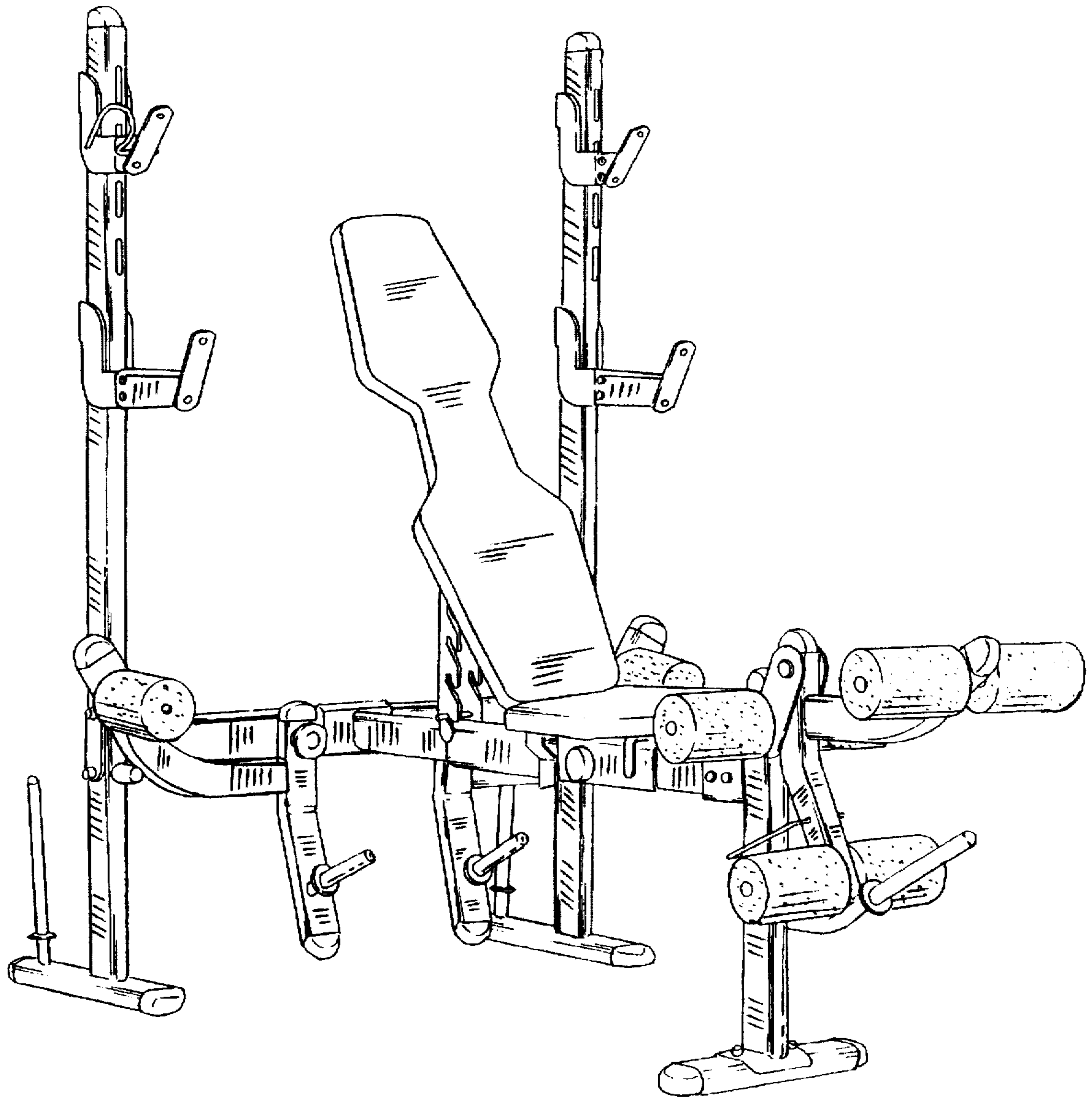


FIG. 8