



US00D390281S

United States Patent [19]
O'Rourke

[11] **Patent Number:** **Des. 390,281**
[45] **Date of Patent:** ****Feb. 3, 1998**

[54] **SCOOTER WITH STEERING WHEEL**

[75] **Inventor:** **James P. O'Rourke**, Brentwood, Tenn.

[73] **Assignee:** **Kidpower, Inc.**, Brentwood, Tenn.

[**] **Term:** **14 Years**

[21] **Appl. No.:** **62,579**

[22] **Filed:** **Nov. 19, 1996**

[51] **LOC (6) Cl.** **21-01**

[52] **U.S. Cl.** **D21/71; D21/78; D21/81**

[58] **Field of Search** **D21/71, 73, 76,**
D21/78-81, 128, 224, 227; D12/130; 280/87.01,
87.041, 87.042, 47.27; 446/396, 326, 29,
223, 325, 432, 226, 451

[56] **References Cited**

U.S. PATENT DOCUMENTS

D. 302,186	7/1989	Klawitter	D21/78
D. 327,715	7/1992	Matsuda et al.	D21/71
D. 337,622	7/1993	Schiffman	.	
1,355,963	10/1920	Gustafson	.	
1,416,864	5/1922	Parkes	.	
1,568,412	1/1926	Parkes	.	
2,077,274	4/1937	Silkman	.	
2,222,678	11/1940	Mittleburg et al.	.	

3,309,104	3/1967	Gold	.	
3,442,528	5/1969	Rademacher	.	
4,775,162	10/1988	Chao	.	
4,776,604	10/1988	Valdez et al.	.	
4,951,958	8/1990	Chao	.	
5,165,711	11/1992	Tsai	.	
5,441,289	8/1995	Spielberger	D21/136

Primary Examiner—Raphael Barkai
Attorney, Agent, or Firm—Waddey & Patterson; Laura K. Thomas

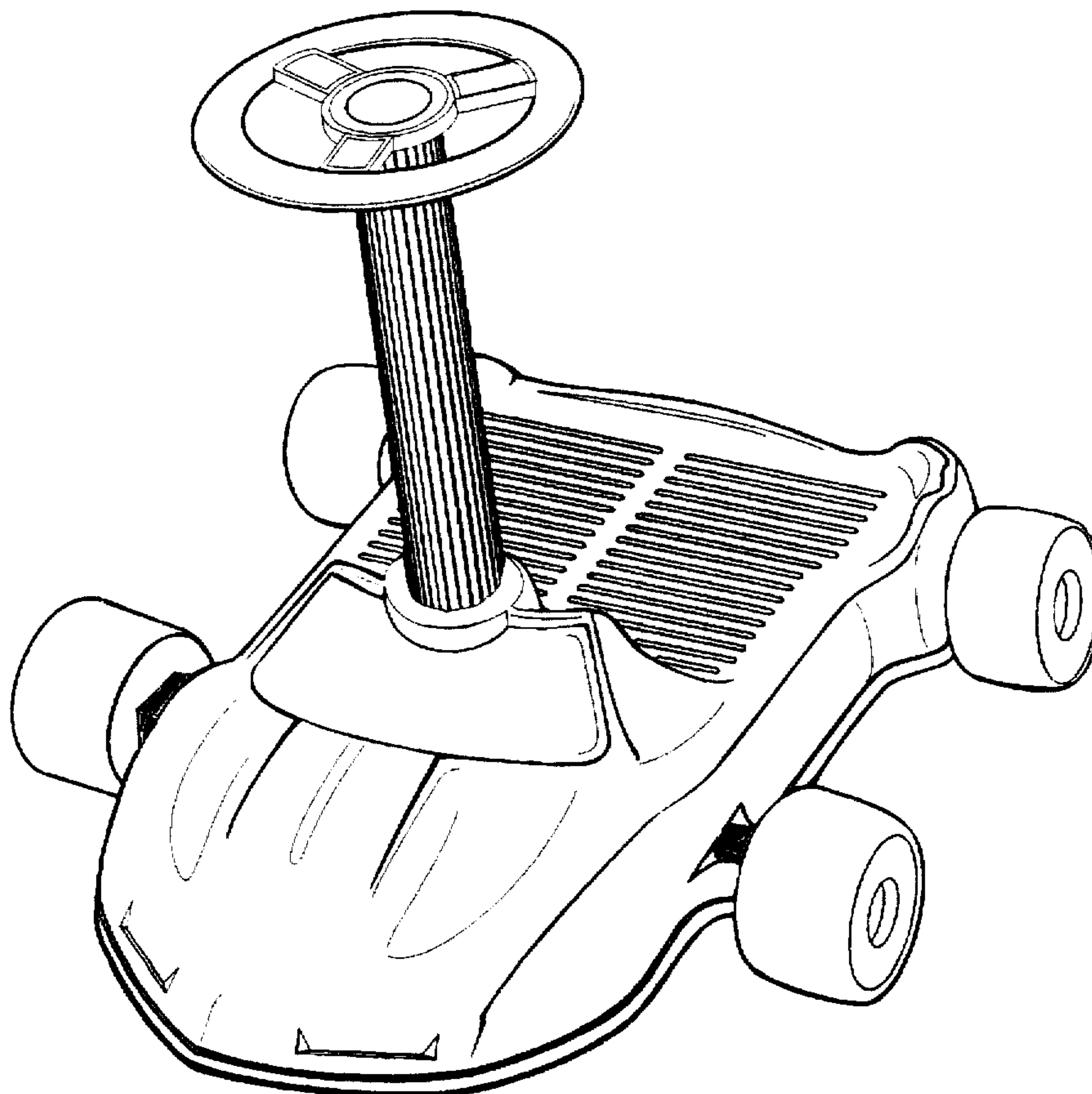
[57] **CLAIM**

The ornamental design for a scooter with steering wheel, as shown and described.

DESCRIPTION

FIG. 1 is a front perspective view of the scooter of the present invention;
FIG. 2 is a side elevation of the scooter of the present invention the side opposite being a mirror image;
FIG. 3 is a top view of the scooter of the present invention;
FIG. 4 is a bottom of the scooter of the present invention;
FIG. 5 is a front elevation of the scooter of the present invention; and,
FIG. 6 is a rear elevation of the scooter of the present invention.

1 Claim, 6 Drawing Sheets



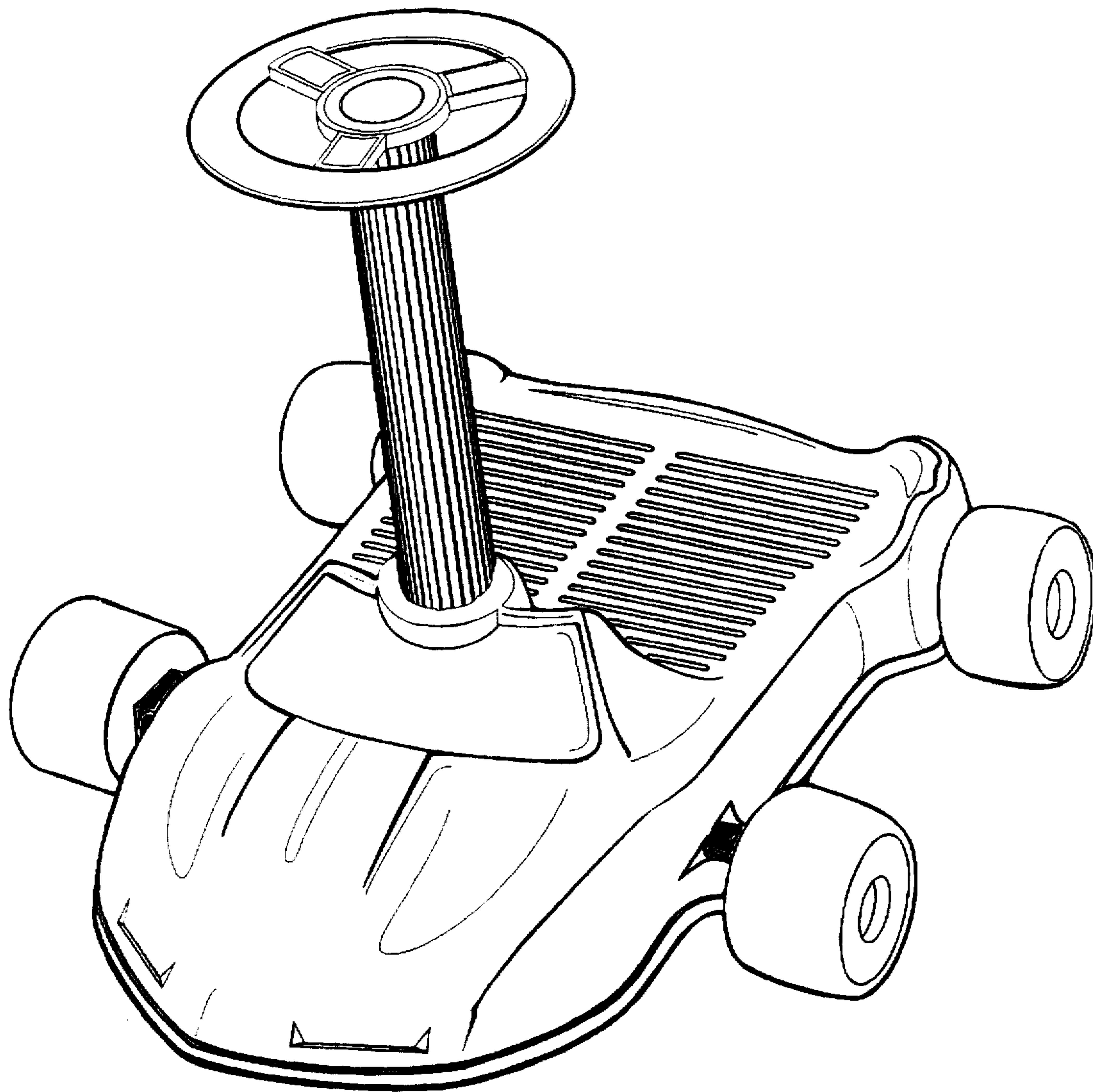


FIG. 1

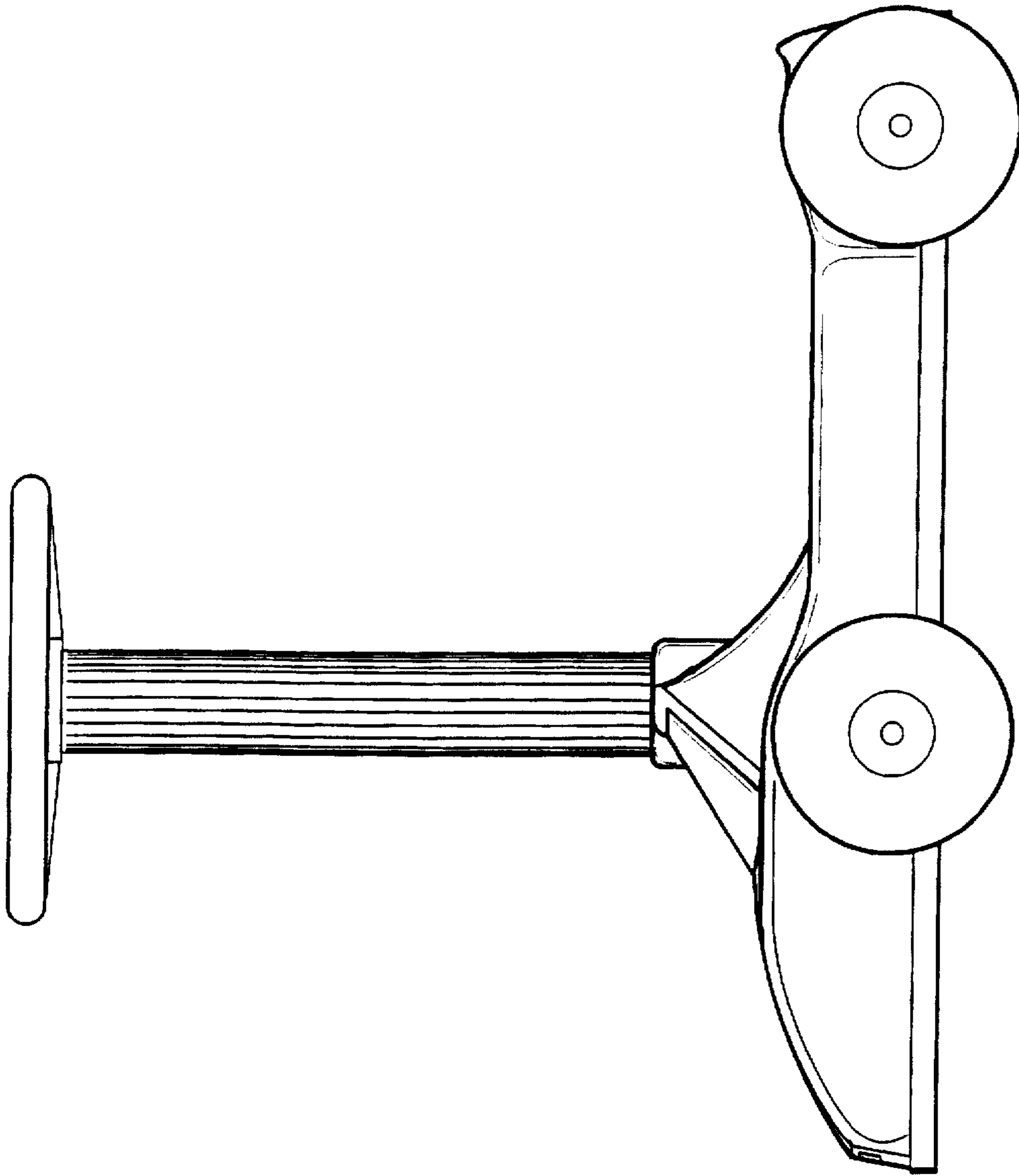


FIG. 2

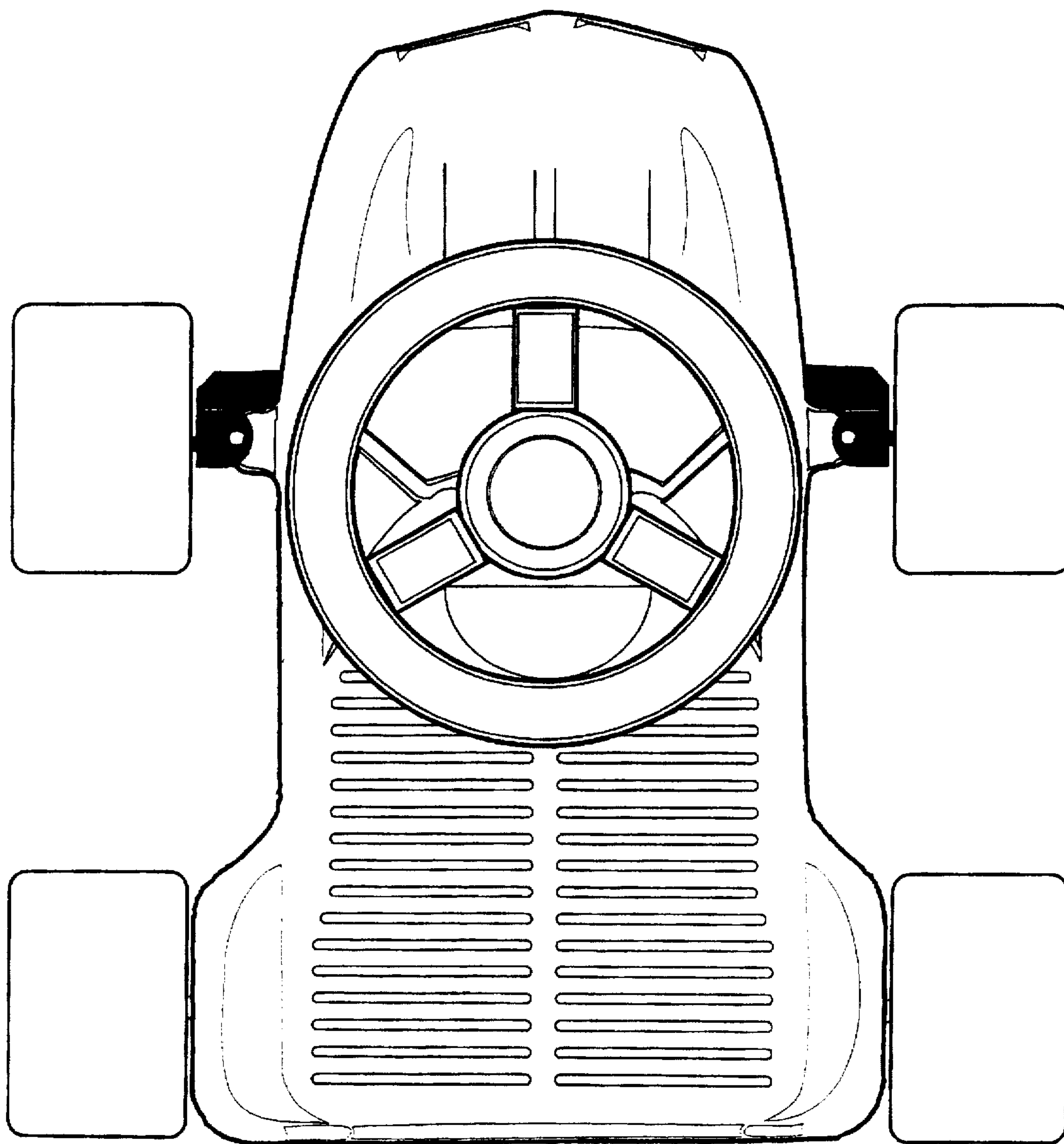


FIG. 3

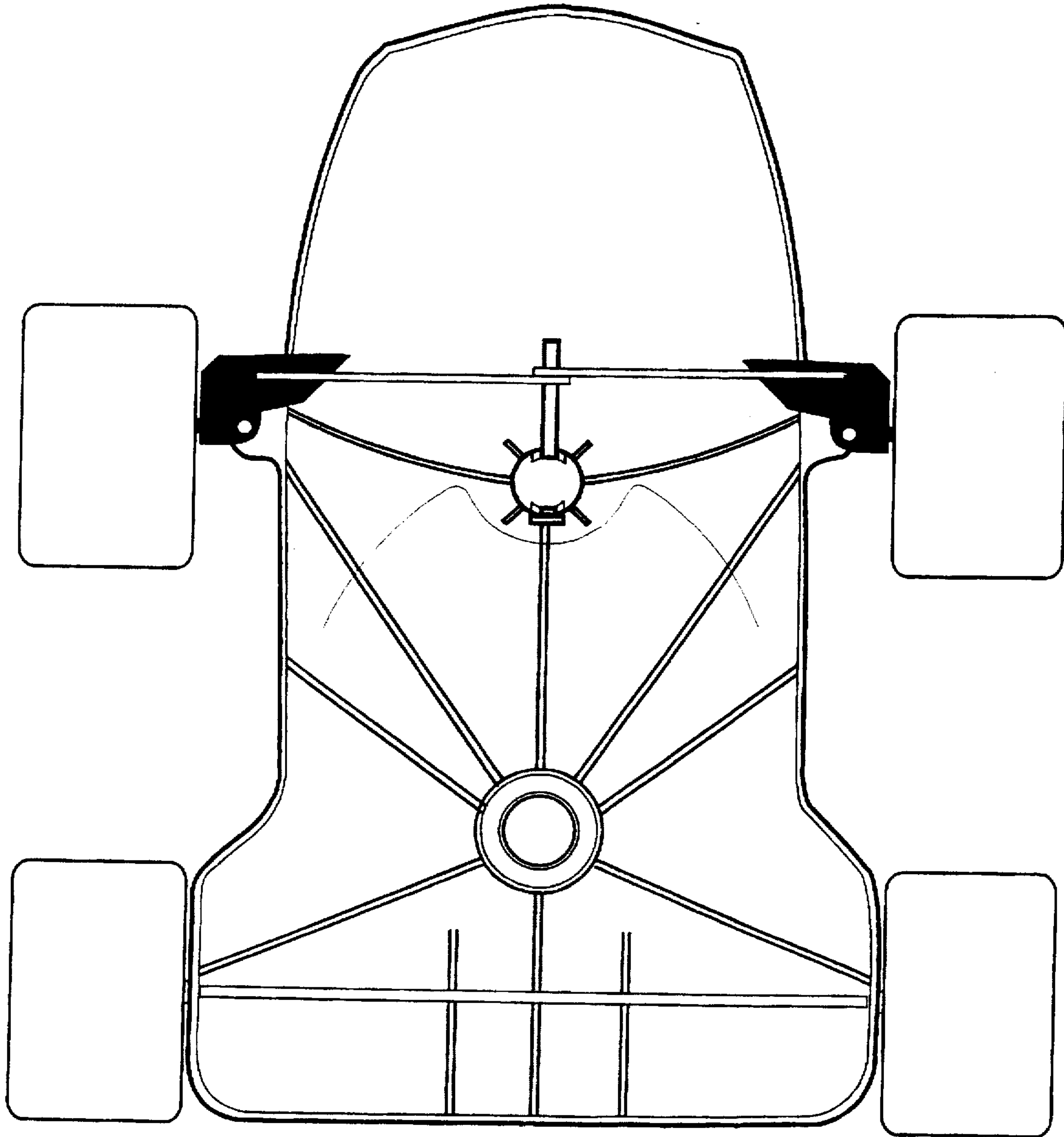


FIG. 4

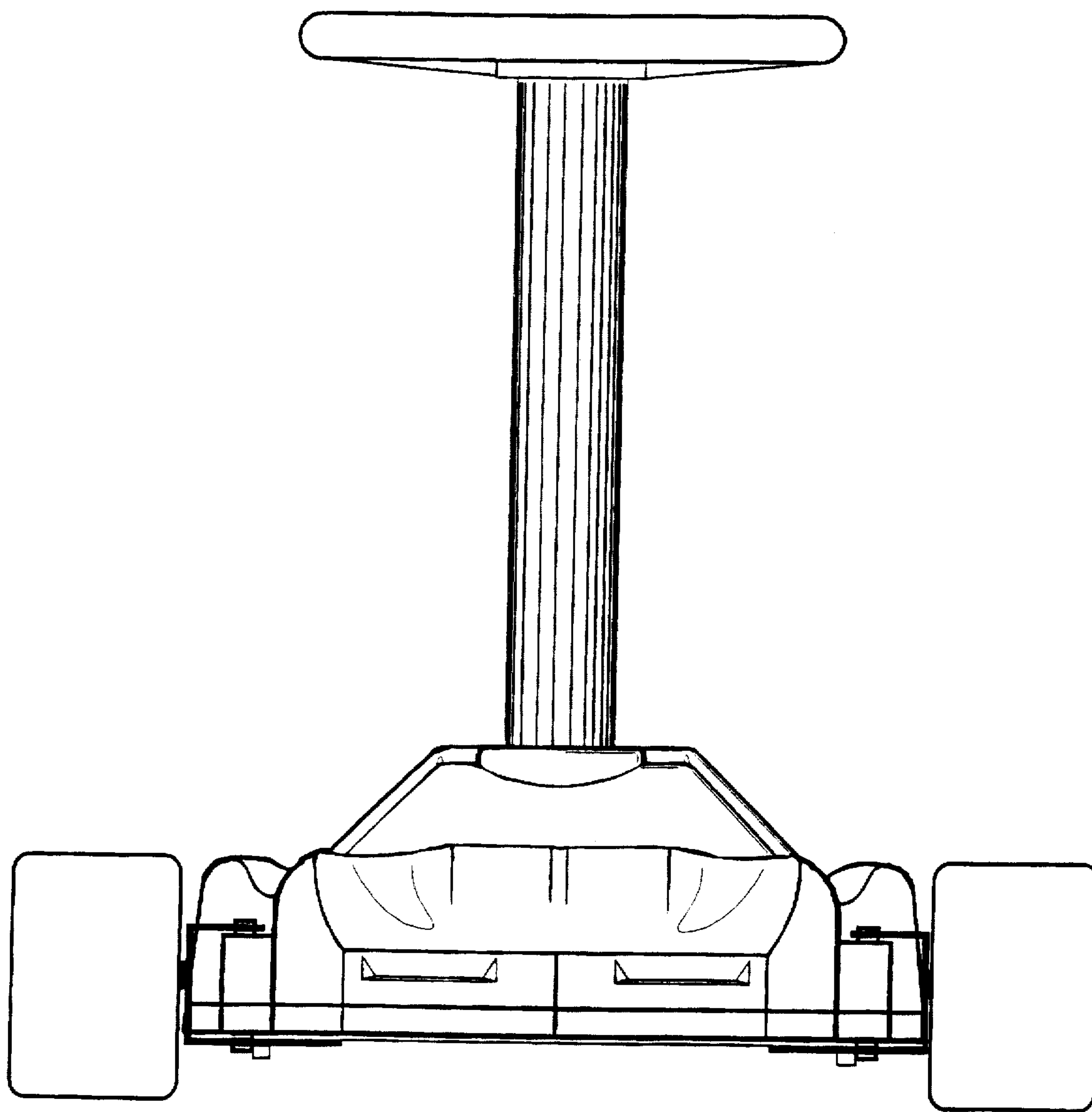


FIG. 5

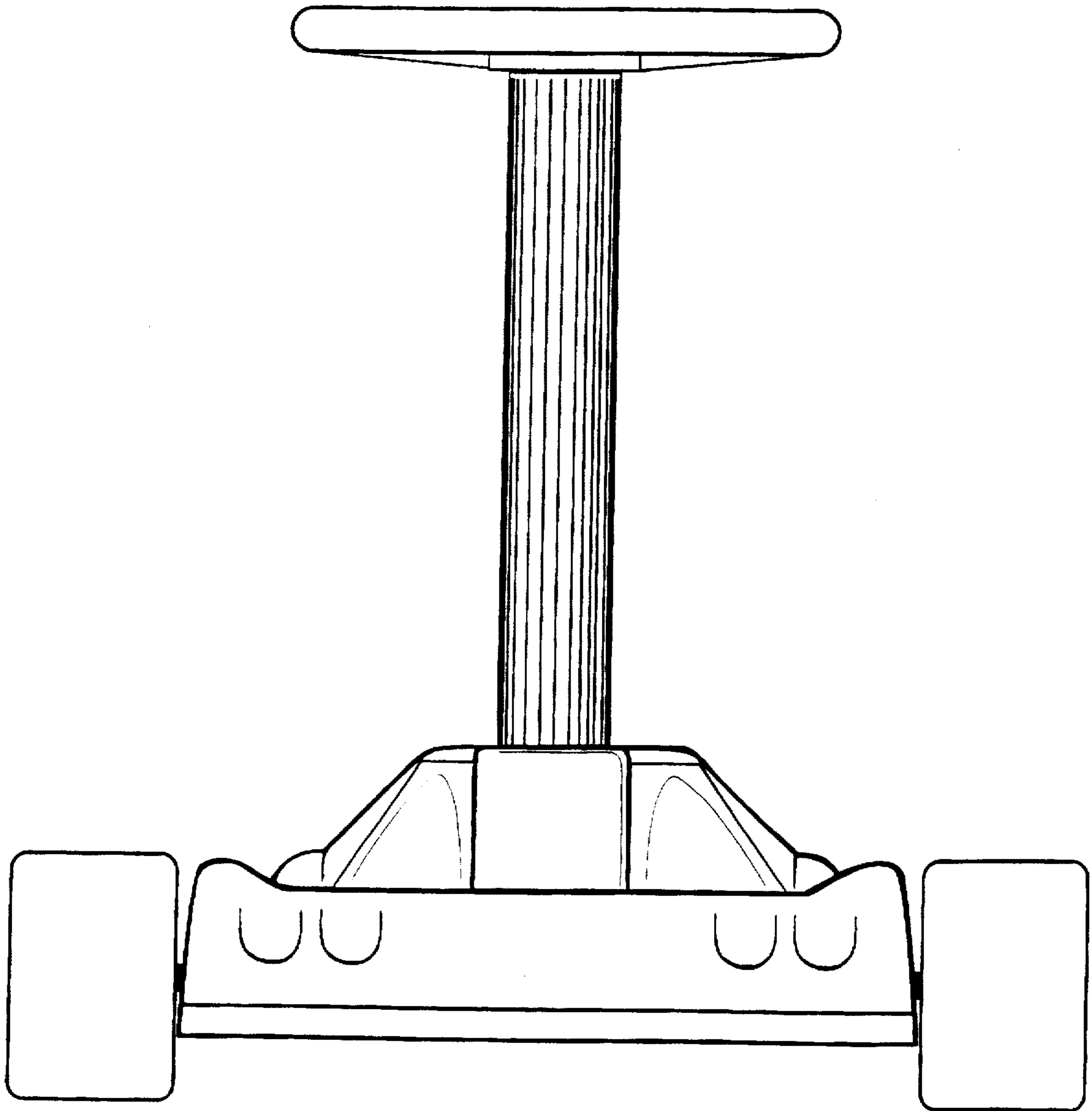


FIG. 6