



US00D390278S

United States Patent [19] Yiu

[11] Patent Number: **Des. 390,278**
[45] Date of Patent: ****Feb. 3, 1998**

[54] **ELECTRONIC DART GAME**

[76] Inventor: **Chih-Hao Yiu**, 7F-1, No. 30, Lin Sen Road, Taichung, Taiwan

[**] Term: **14 Years**

[21] Appl. No.: **67,125**

[22] Filed: **Feb. 25, 1997**

[51] LOC (6) Cl. **21-01**

[52] U.S. Cl. **D21/6**

[58] Field of Search **D21/6, 14-36;**
273/236-286, 348, 371, 373, 376, 398

[56] **References Cited**

U.S. PATENT DOCUMENTS

D. 365,601	12/1995	Wu	D21/6
D. 378,103	2/1997	Yiu	D21/6
5,401,033	3/1995	Lychock, Jr.	273/371
5,531,451	7/1996	Yiu	273/371
5,540,445	7/1996	Lee	273/371
5,560,617	10/1996	Liang	273/376

OTHER PUBLICATIONS

Herman's Washington Post Advertisement, Nov. 26, 1992.
Sportcraft Electronic Dart Set.

Primary Examiner—Sandra L. Morris

Attorney, Agent, or Firm—Charles E. Baxley, Esq.

[57] **CLAIM**

The ornamental design for an electronic dart game, as shown and described.

DESCRIPTION

FIG. 1 is a perspective view of an electronic dart game showing my new design;

FIG. 2 is a front elevational view thereof;

FIG. 3 is a rear elevational view thereof;

FIG. 4 is a left side elevational view thereof;

FIG. 5 is a right side elevational view thereof;

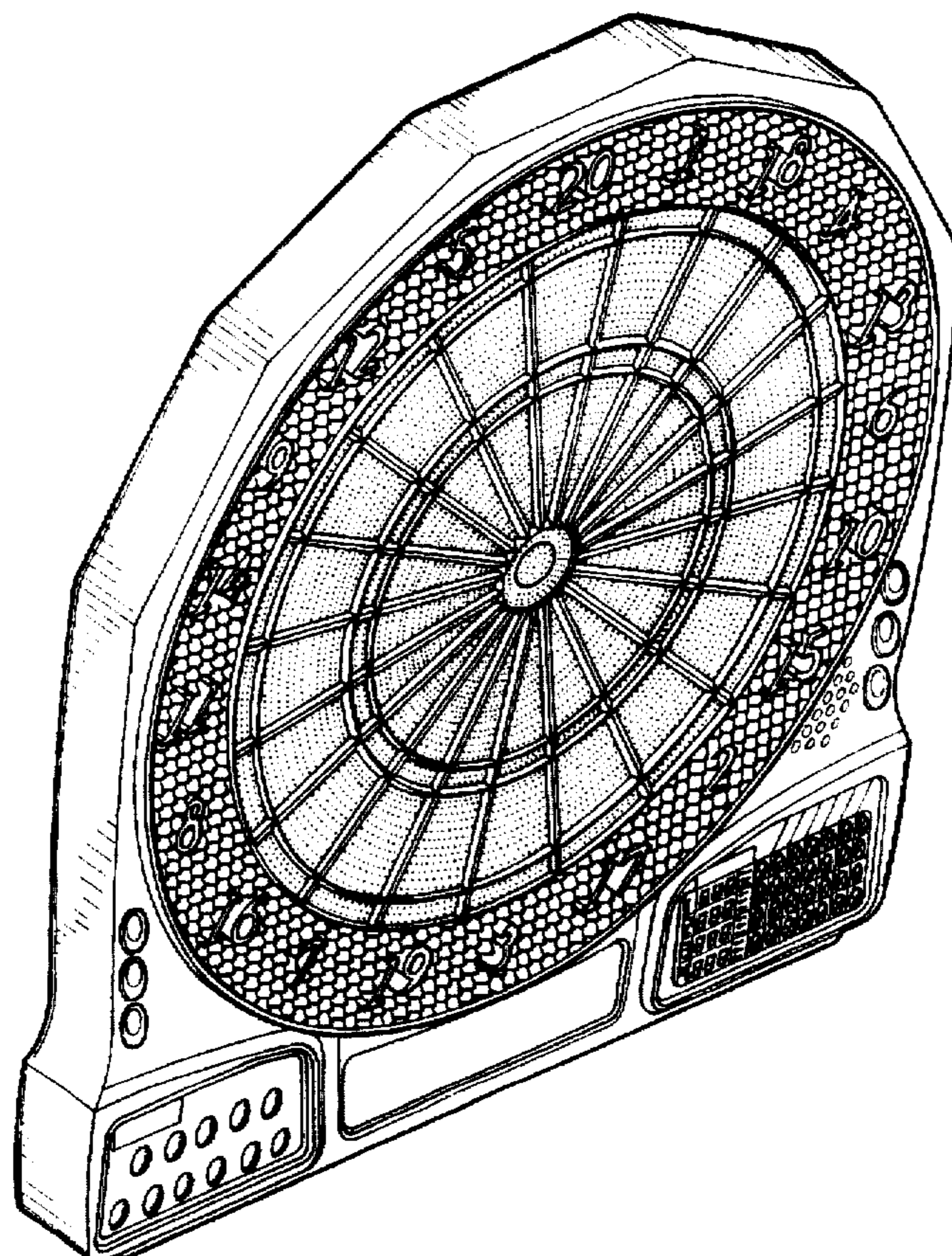
FIG. 6 is a top plan view thereof;

FIG. 7 is a bottom plan view thereof; and,

FIG. 8 is a perspective view illustrating a box placing darts on the bottom of the electronic dart game.

The broken line showing in FIG. 8 is for illustrative purposes only, and forms no part of the claimed design.

1 Claim, 6 Drawing Sheets



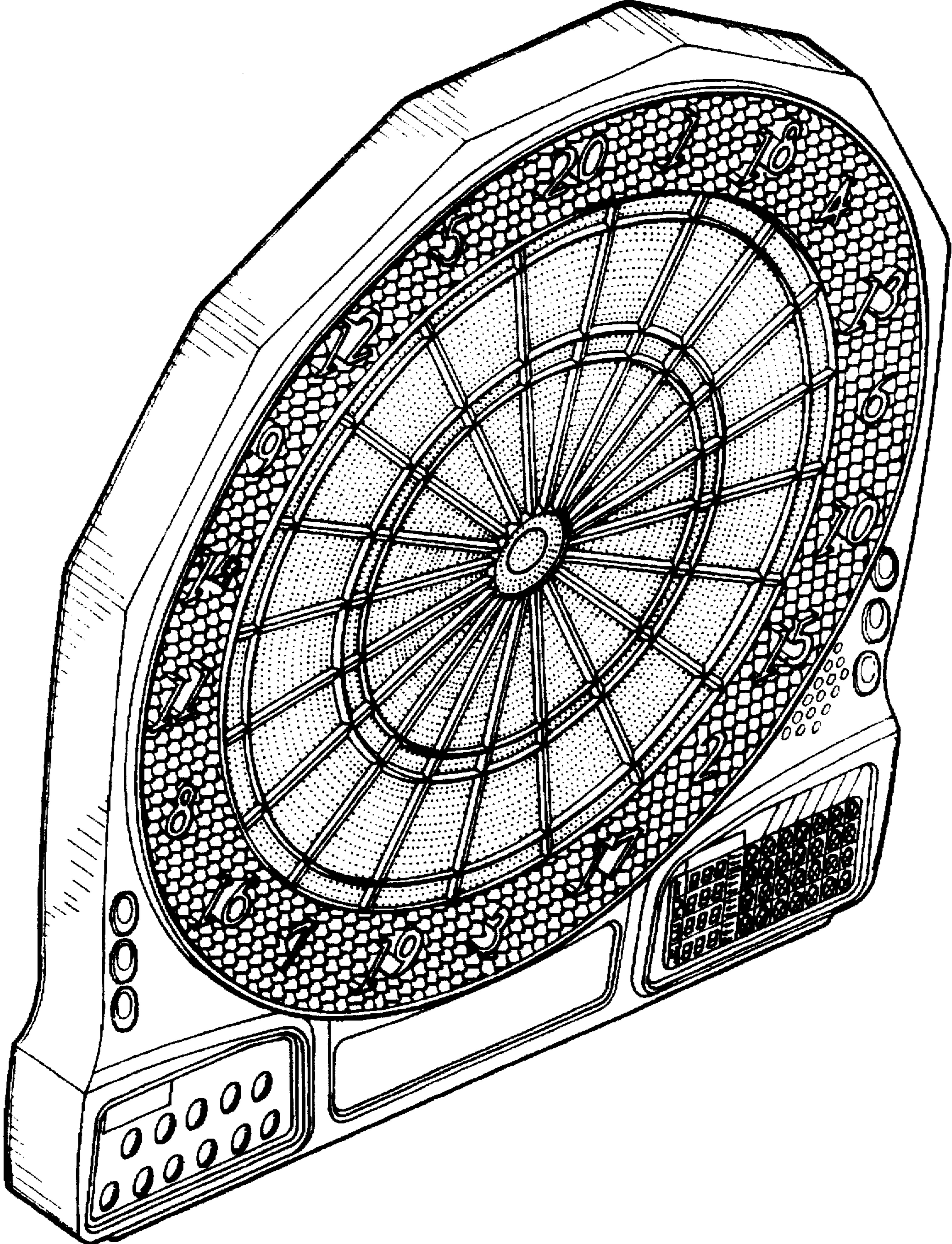


FIG. 1

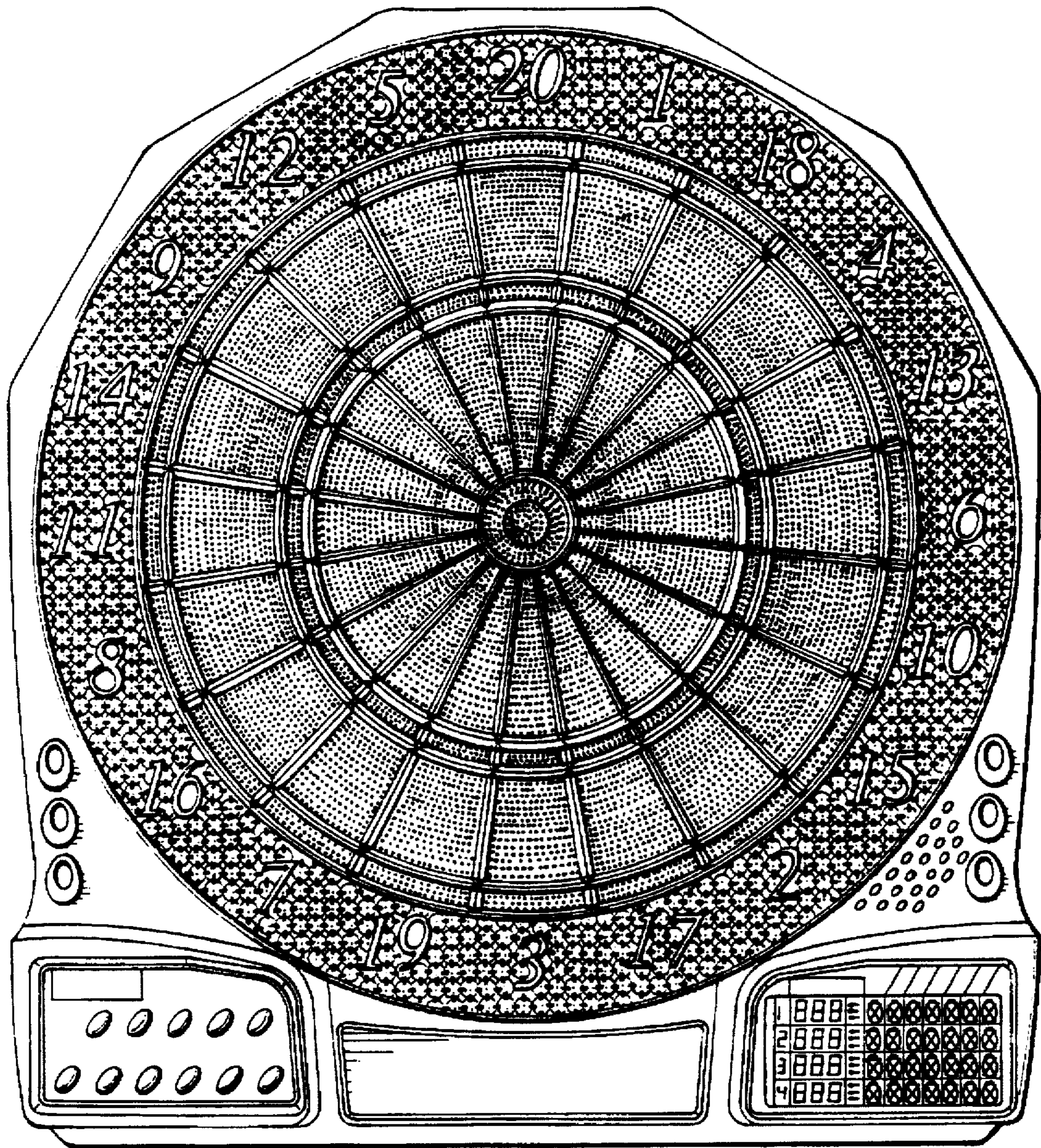


FIG. 2

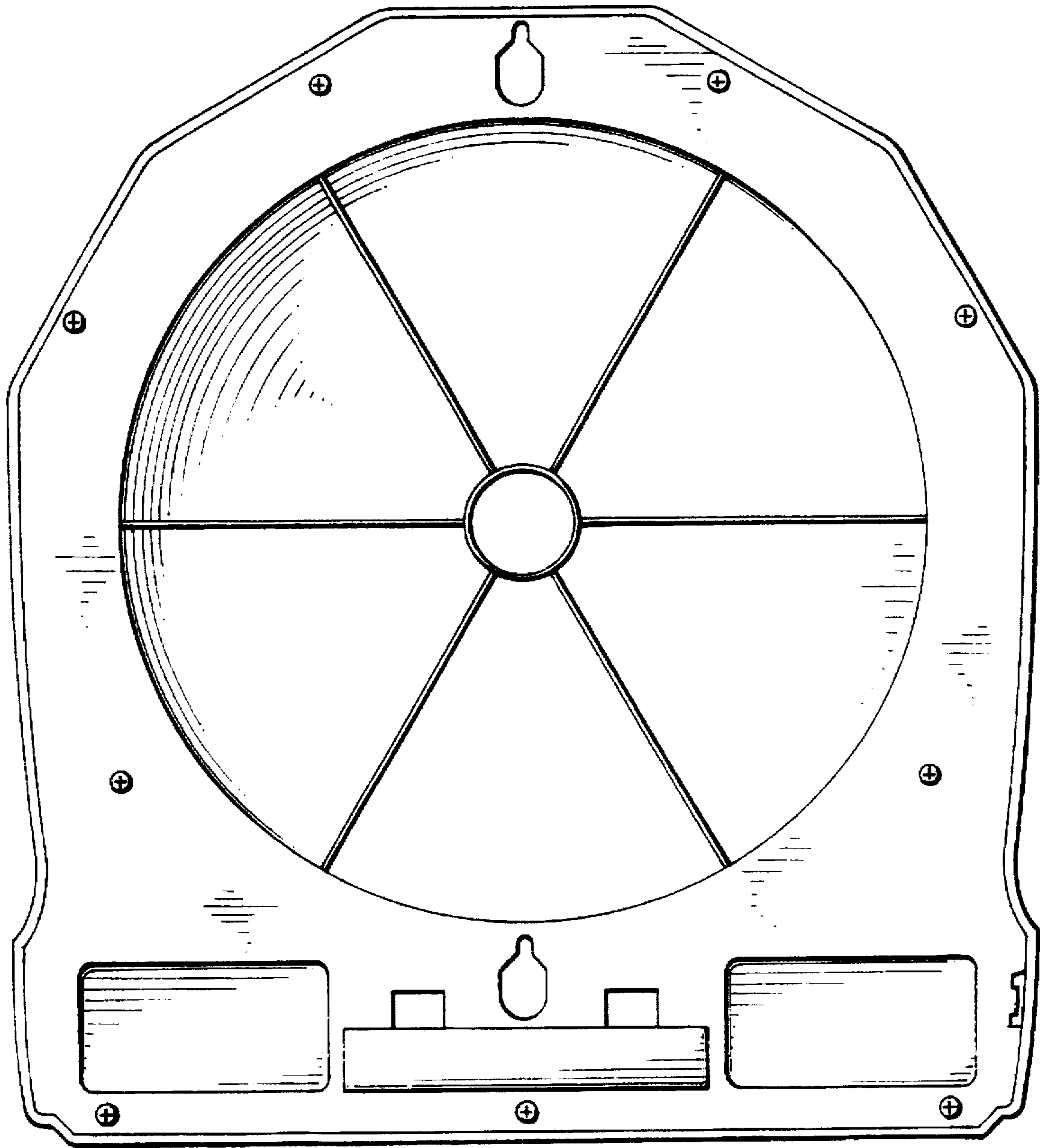


FIG. 3

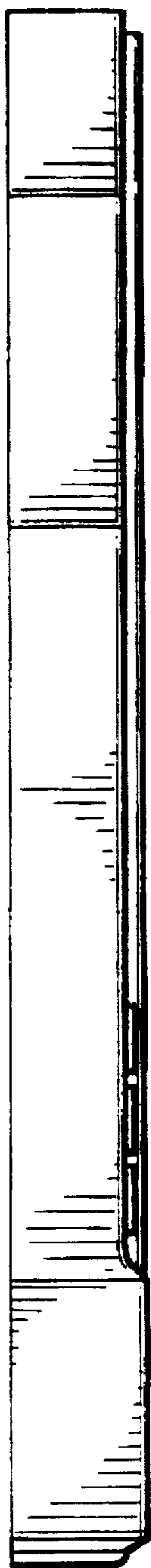


FIG. 4

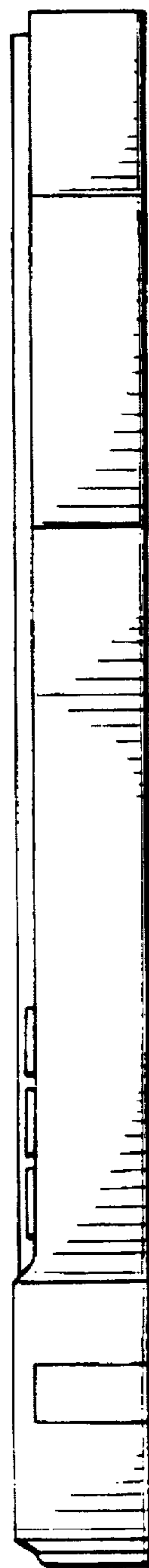


FIG. 5

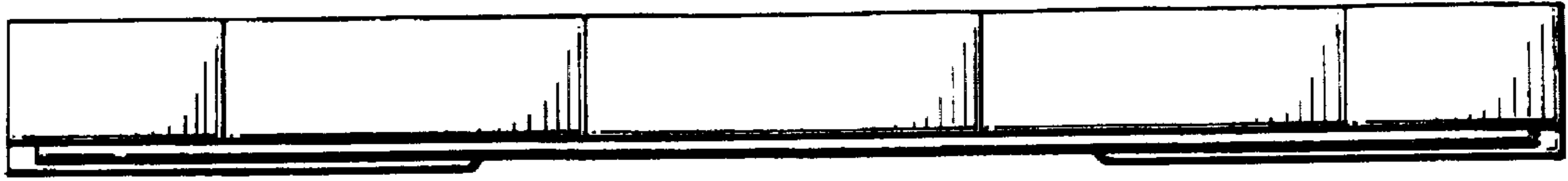


FIG. 6

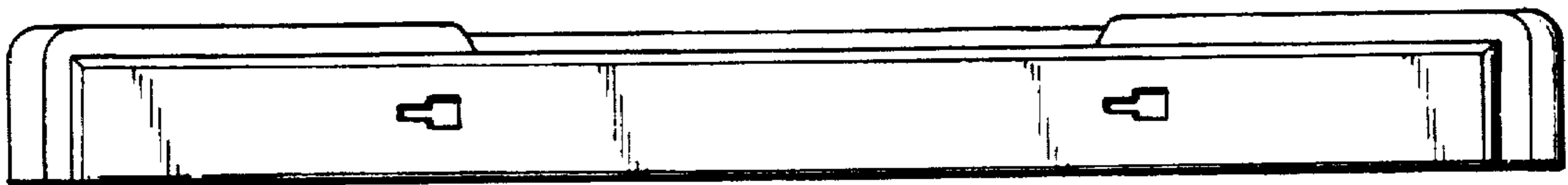


FIG. 7

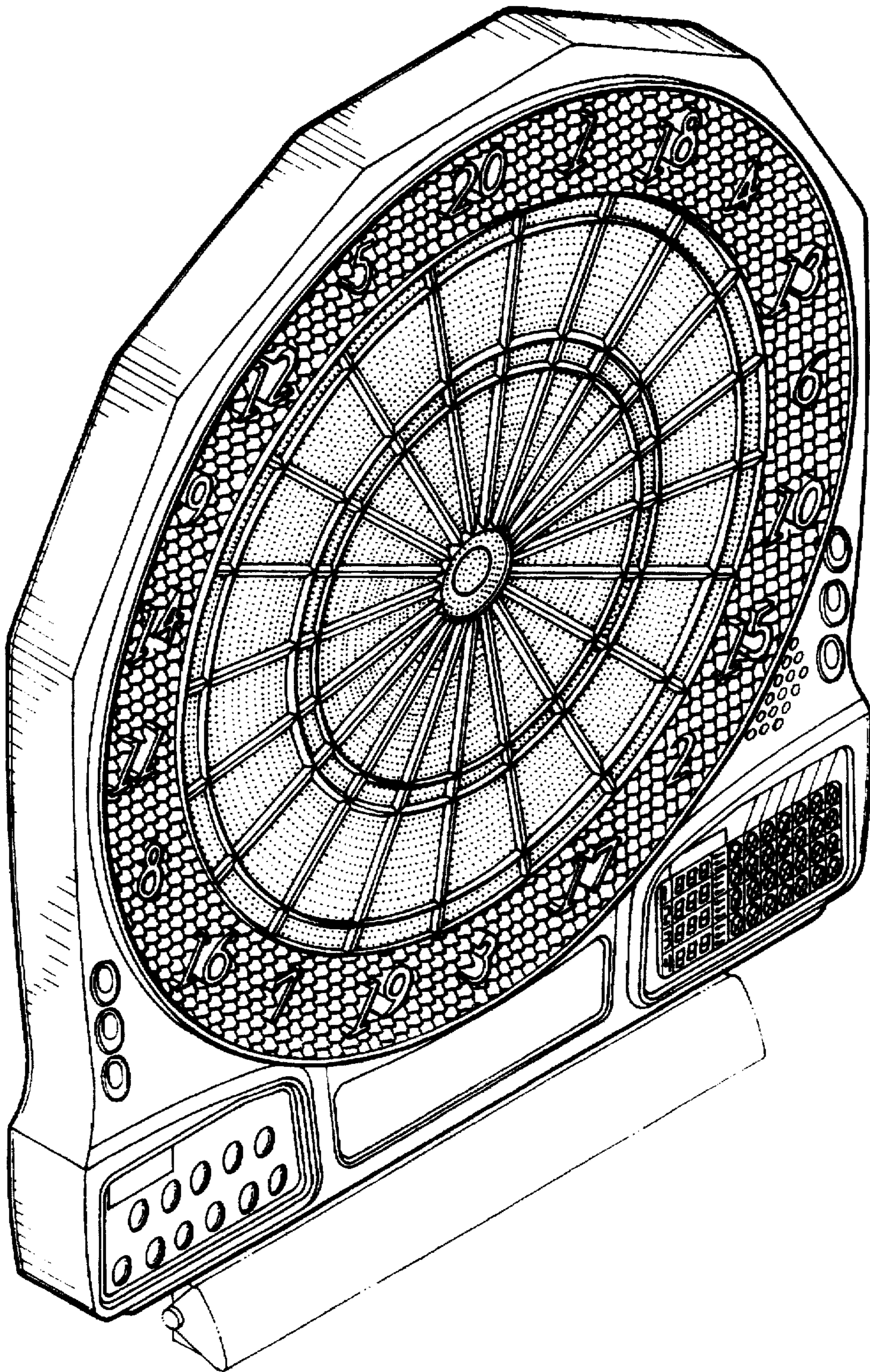


FIG. 8