



US00D390275S

United States Patent [19]
Wolff

[11] **Patent Number: Des. 390,275**
[45] **Date of Patent: **Feb. 3, 1998**

[54] **IDENTIFICATION TAG**

[76] **Inventor: Stephen H. Wolff, 35 W. 35th St., New York, N.Y. 10001**

[**] **Term: 14 Years**

[21] **Appl. No.: 64,366**

[22] **Filed: Dec. 30, 1996**

[51] **LOC (6) Cl. 19-08**

[52] **U.S. Cl. D20/22**

[58] **Field of Search D20/22, 10, 23, D20/28, 42; 40/316, 299, 639, 665**

[56] **References Cited**

U.S. PATENT DOCUMENTS

D. 321,913	11/1991	Wolff .	
D. 325,400	4/1992	Wolff .	
D. 342,098	12/1993	Wolff .	
D. 346,827	5/1994	Wolff .	
D. 358,615	5/1995	Cline	D20/22
2,563,572	8/1951	Alonso	D20/22
3,785,337	1/1974	Flowerday	40/665 X
5,315,774	5/1994	Chompff	40/316

Primary Examiner—Susan J. Lucas
Assistant Examiner—Jennifer Register
Attorney, Agent, or Firm—Lerner, David, Littenberg, Krumholz & Mentlik

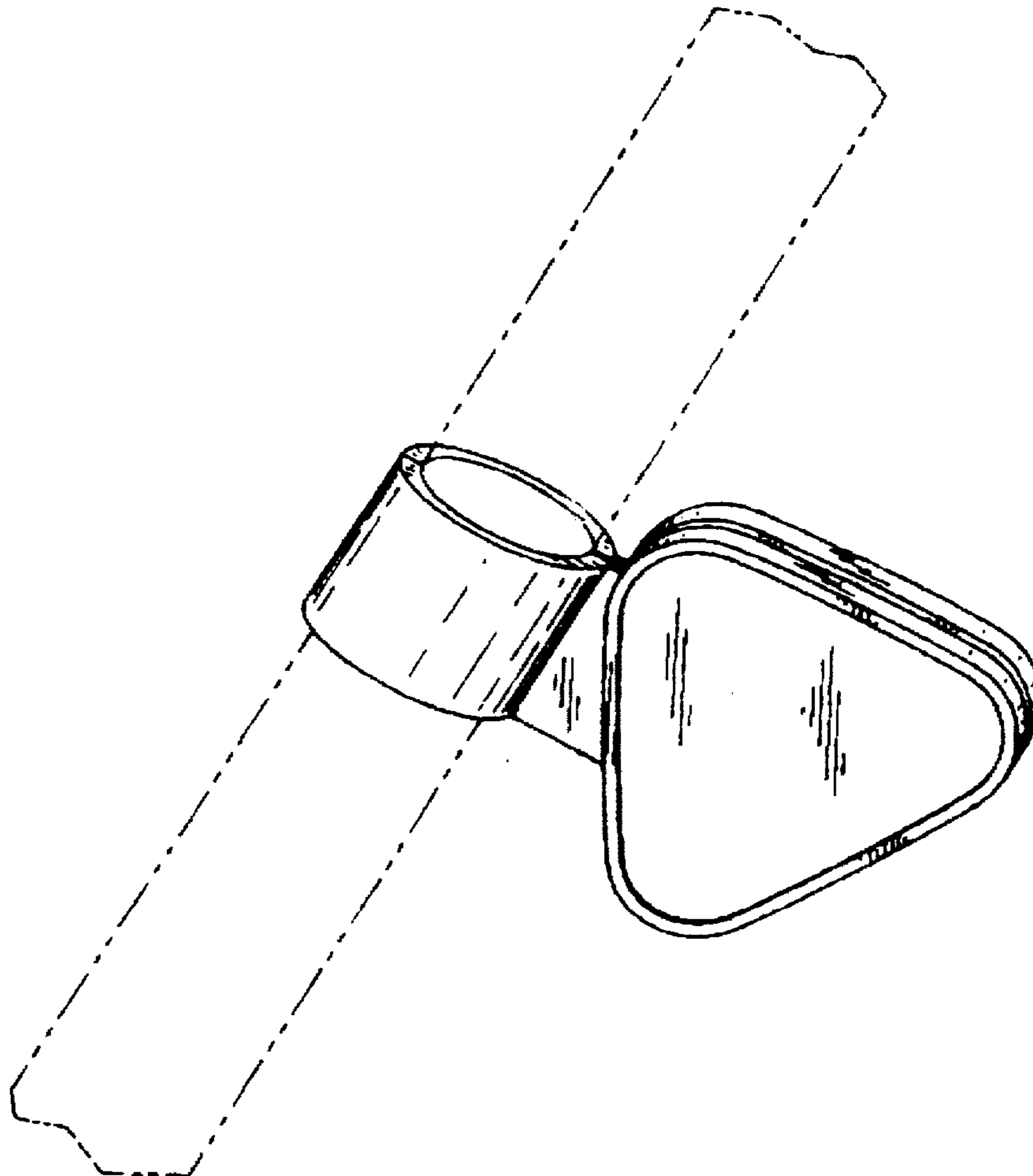
[57] **CLAIM**

The ornamental design for and identification tag, as shown and described.

DESCRIPTION

FIG. 1 is a perspective view of an identification tag in accordance with my invention;
FIG. 2 is a perspective view thereof in its open position;
FIG. 3 is a front elevational view thereof;
FIG. 4 is a rear elevational view thereof;
FIG. 5 is a right side view thereof;
FIG. 6 is a left side view thereof;
FIG. 7 is a top plan view thereof; and,
FIG. 8 is a bottom plan view thereof.
The broken lines are shown for illustrative purposes only and form no part of the claimed design.

1 Claim, 2 Drawing Sheets



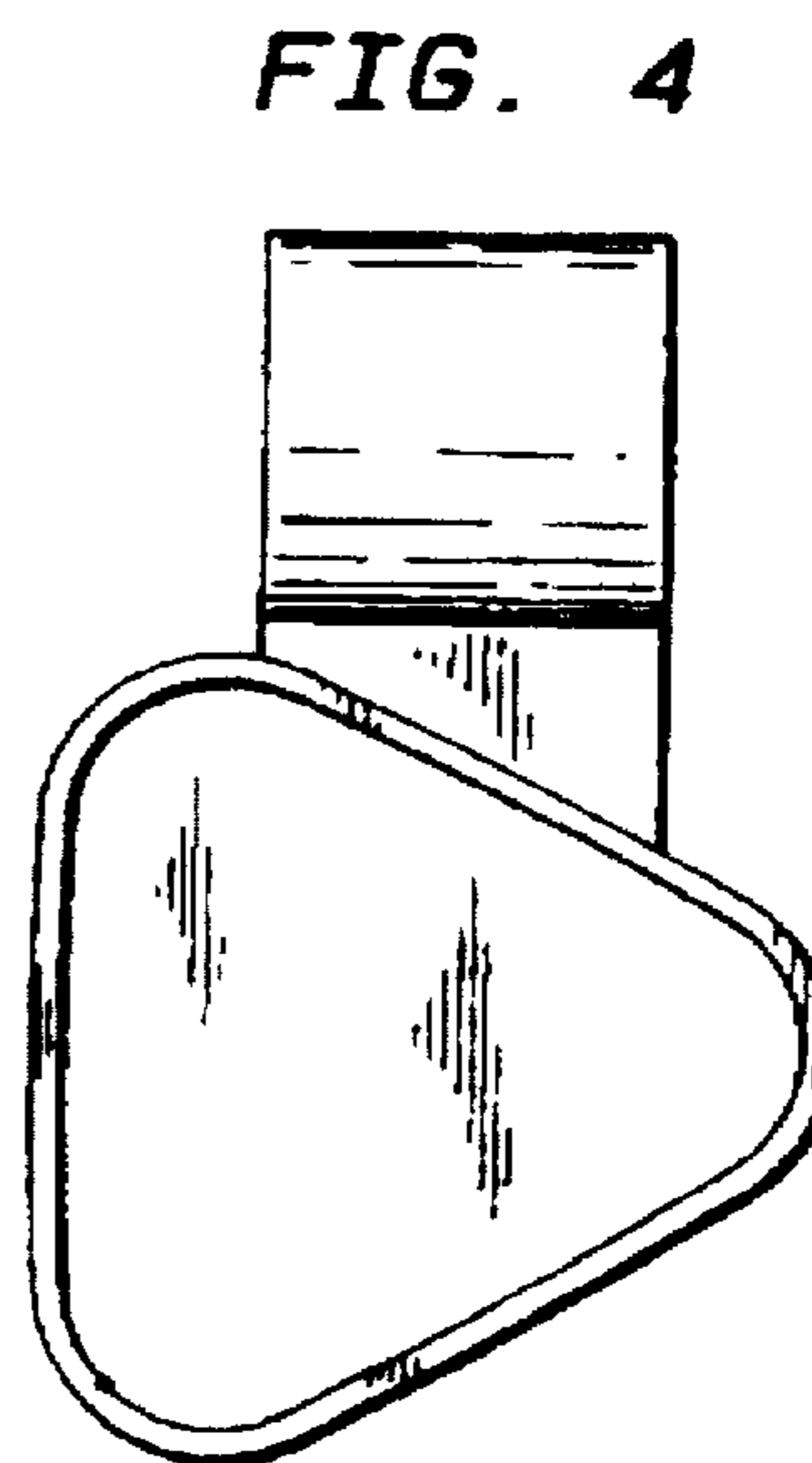
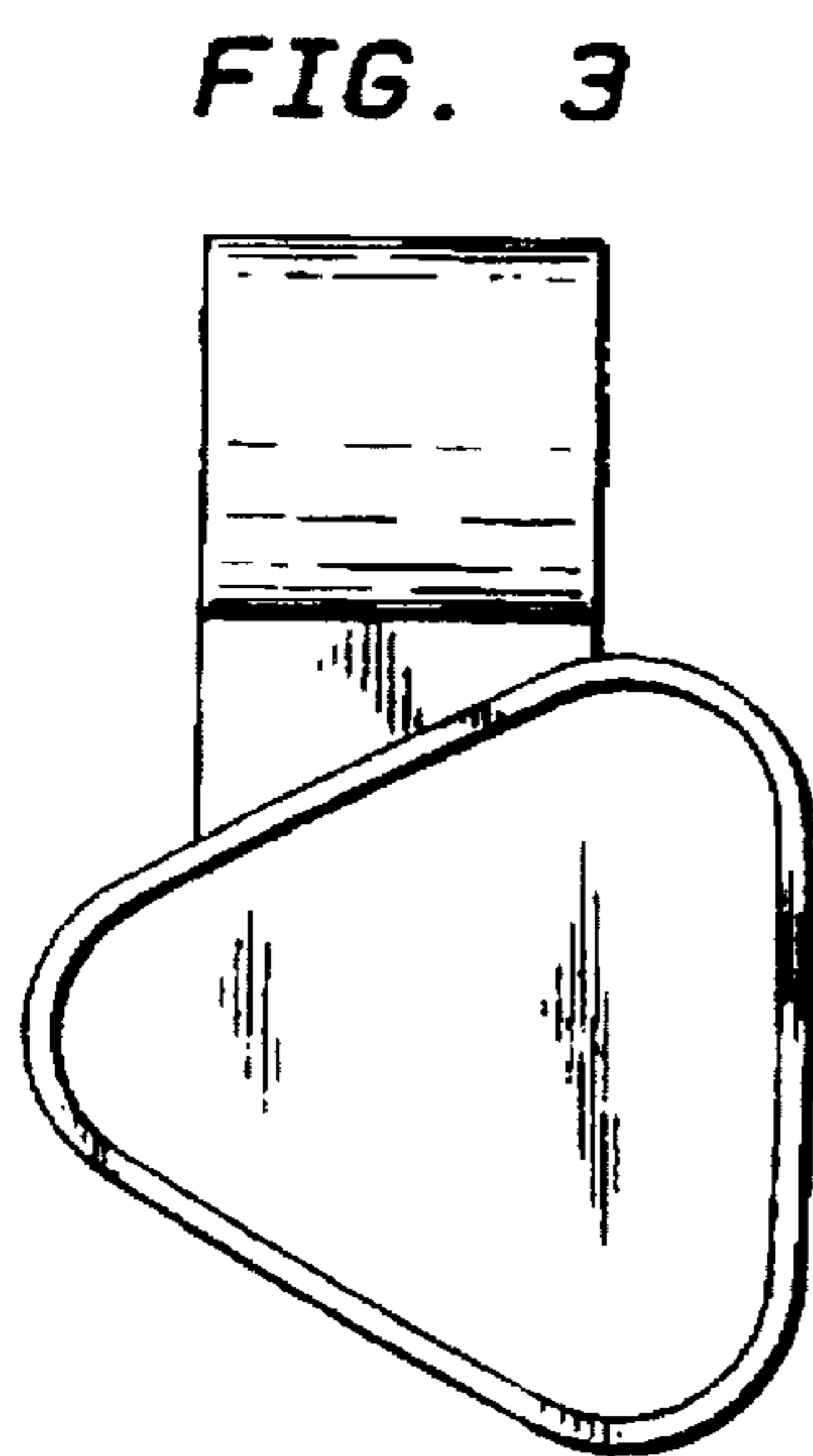
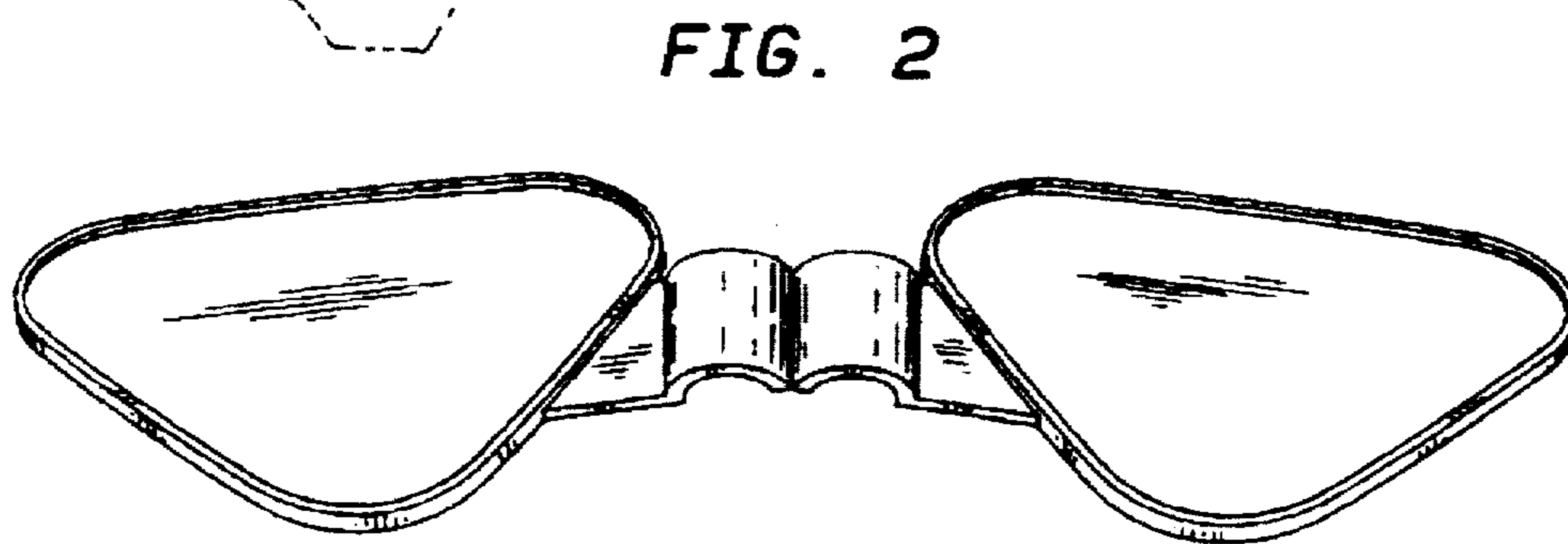
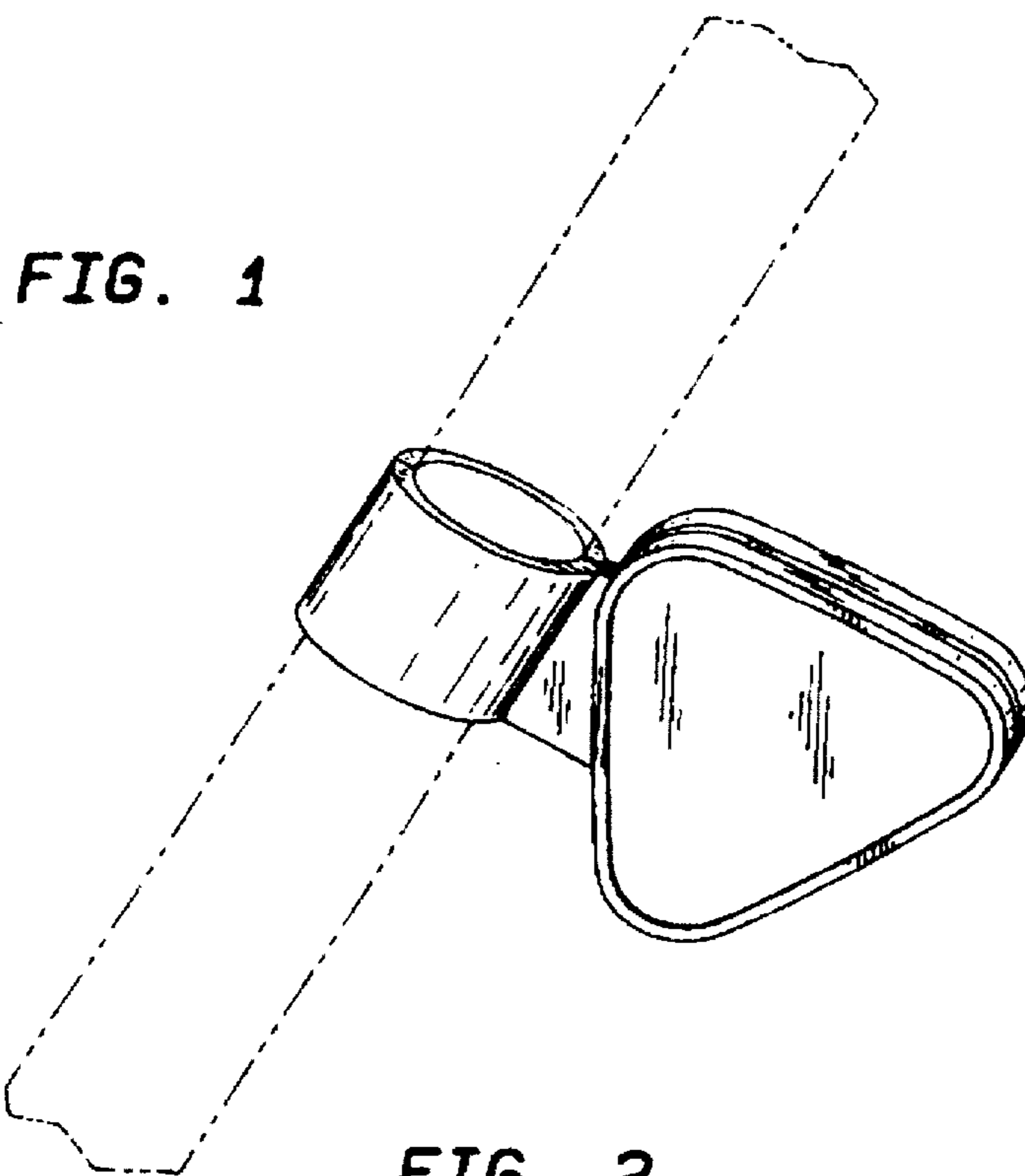


FIG. 5

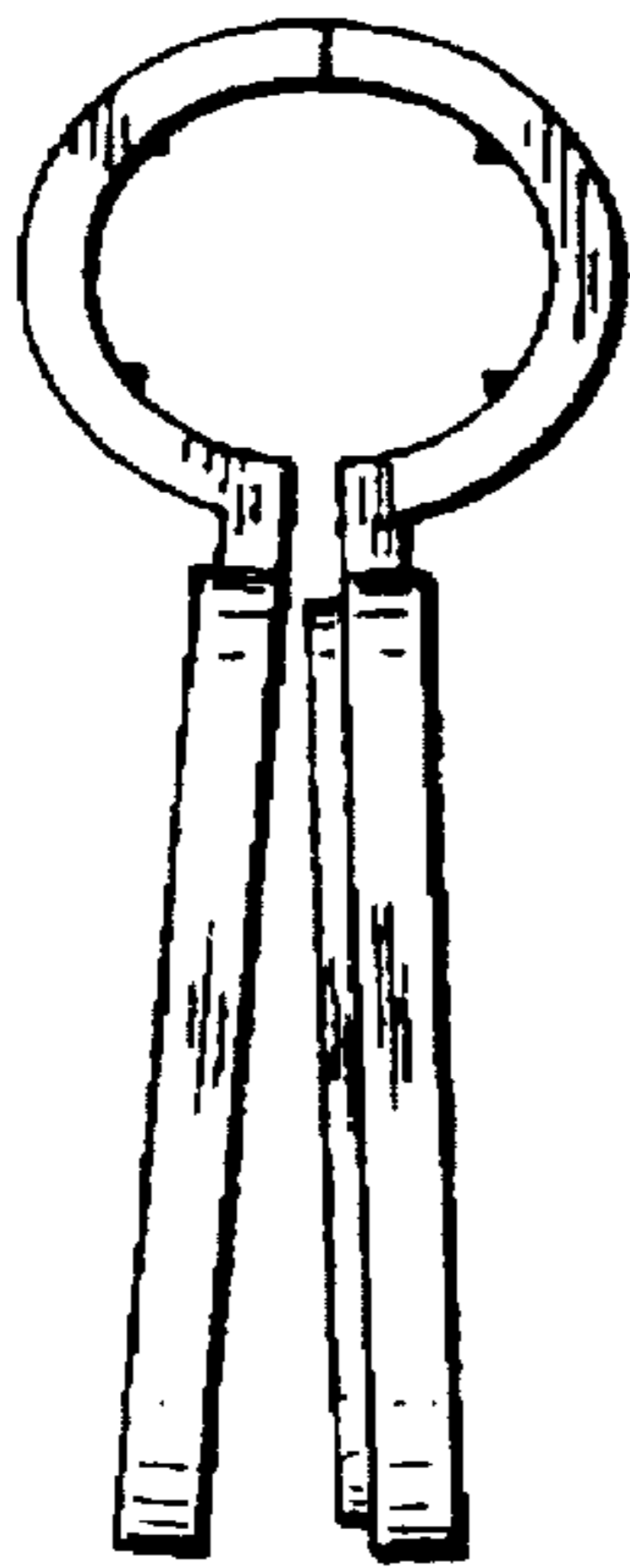


FIG. 6

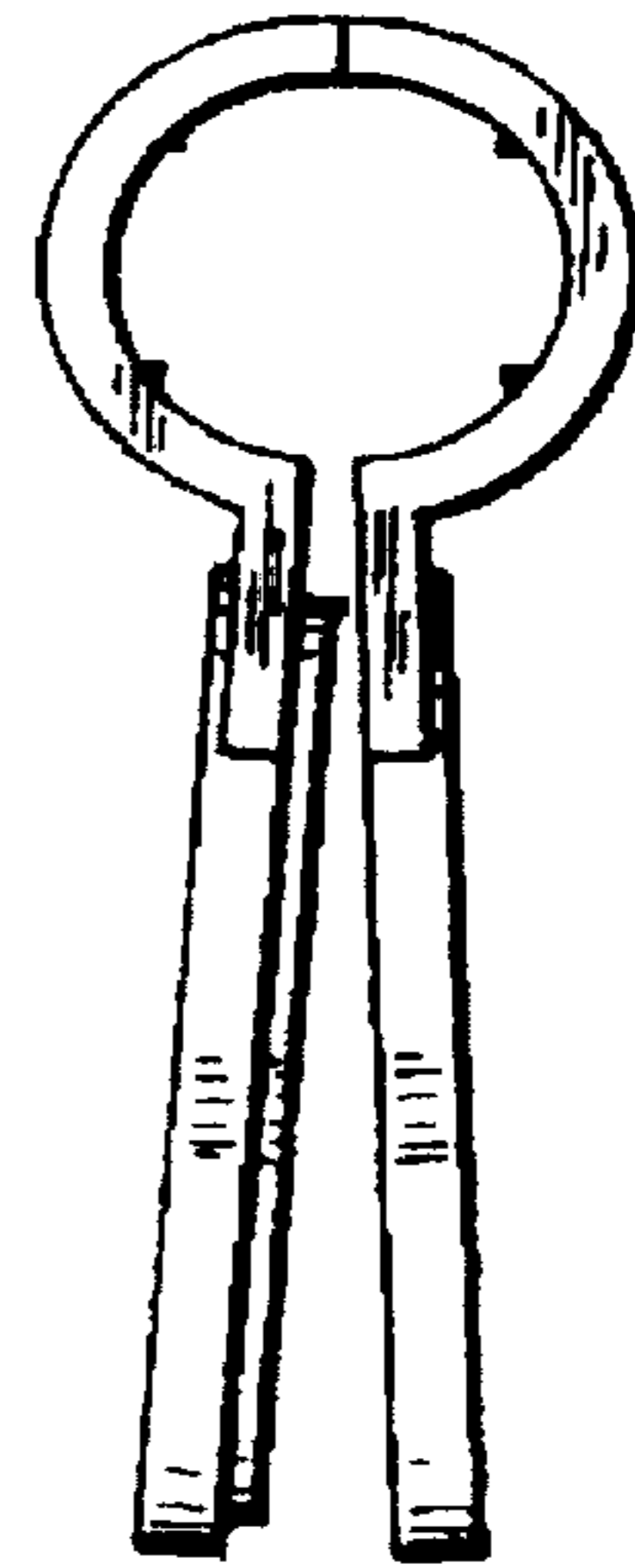


FIG. 7

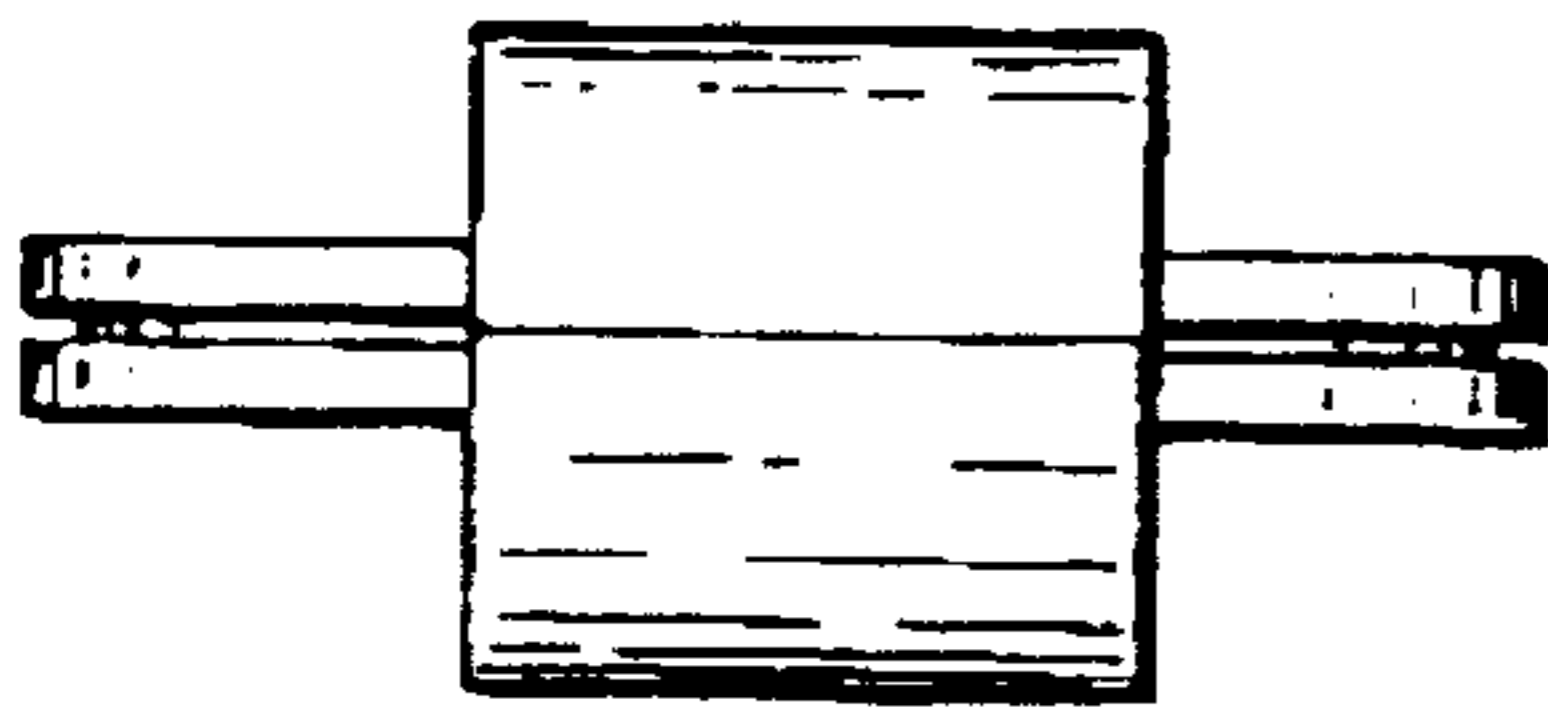


FIG. 8

