



US00D390274S

United States Patent [19]
Meeks

[11] **Patent Number:** **Des. 390,274**
[45] **Date of Patent:** ****Feb. 3, 1998**

[54] **RESTAURANT SPECIALTY CARD DISPLAY**

[75] **Inventor:** **Cary M. Meeks, Eastland, Tex.**

[73] **Assignee:** **Victory Cornelius, Inc., Eastland, Tex.**

[**] **Term:** **14 Years**

[21] **Appl. No.:** **62,807**

[22] **Filed:** **Nov. 26, 1996**

[51] **LOC (6) Cl.** **20-03**

[52] **U.S. Cl.** **D20/21**

[58] **Field of Search** **D20/10, 21, 40,**
D20/42, 43; 40/642.02, 530, 124; D6/300;
211/45

[56] **References Cited**

U.S. PATENT DOCUMENTS

D. 339,168	9/1993	Gerhart et al.	D20/21
5,291,677	3/1994	Samson et al.	40/530 X
5,335,796	8/1994	Sanford et al.	211/45

Primary Examiner—Susan J. Lucas
Assistant Examiner—Jennifer Register
Attorney, Agent, or Firm—James E. Bradley

[57] **CLAIM**

The ornamental design for a restaurant specialty card display, as shown and described.

DESCRIPTION

FIG. 1 is a perspective view of the restaurant specialty card display;

FIG. 2 is a top view thereof;

FIG. 3 is a left side view thereof;

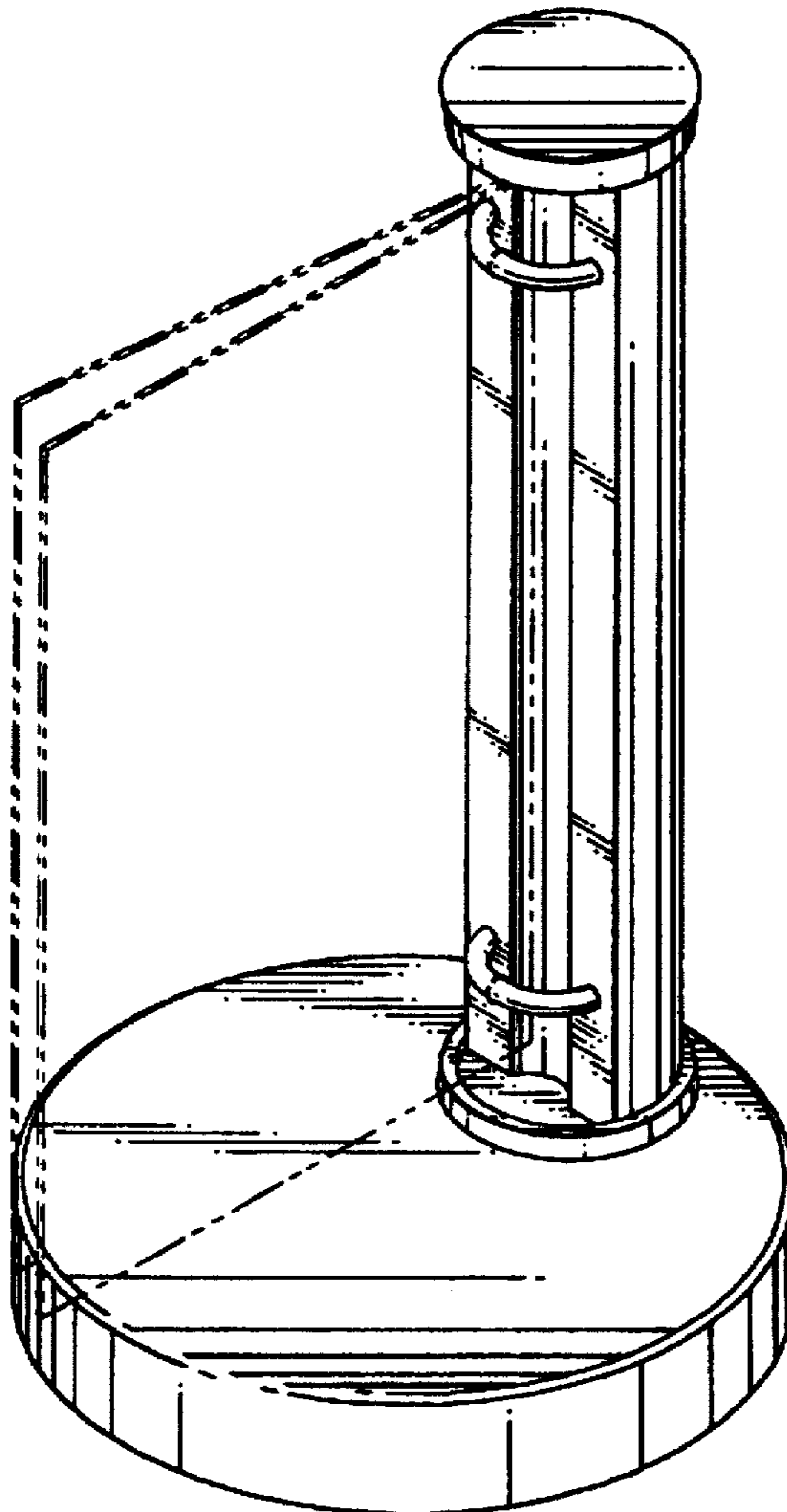
FIG. 4 is a front view thereof;

FIG. 5 is a rear view thereof; and,

FIG. 6 is a right side view thereof.

The broken lines are shown for illustrative purposes only and form no part of the claimed design.

1 Claim, 3 Drawing Sheets



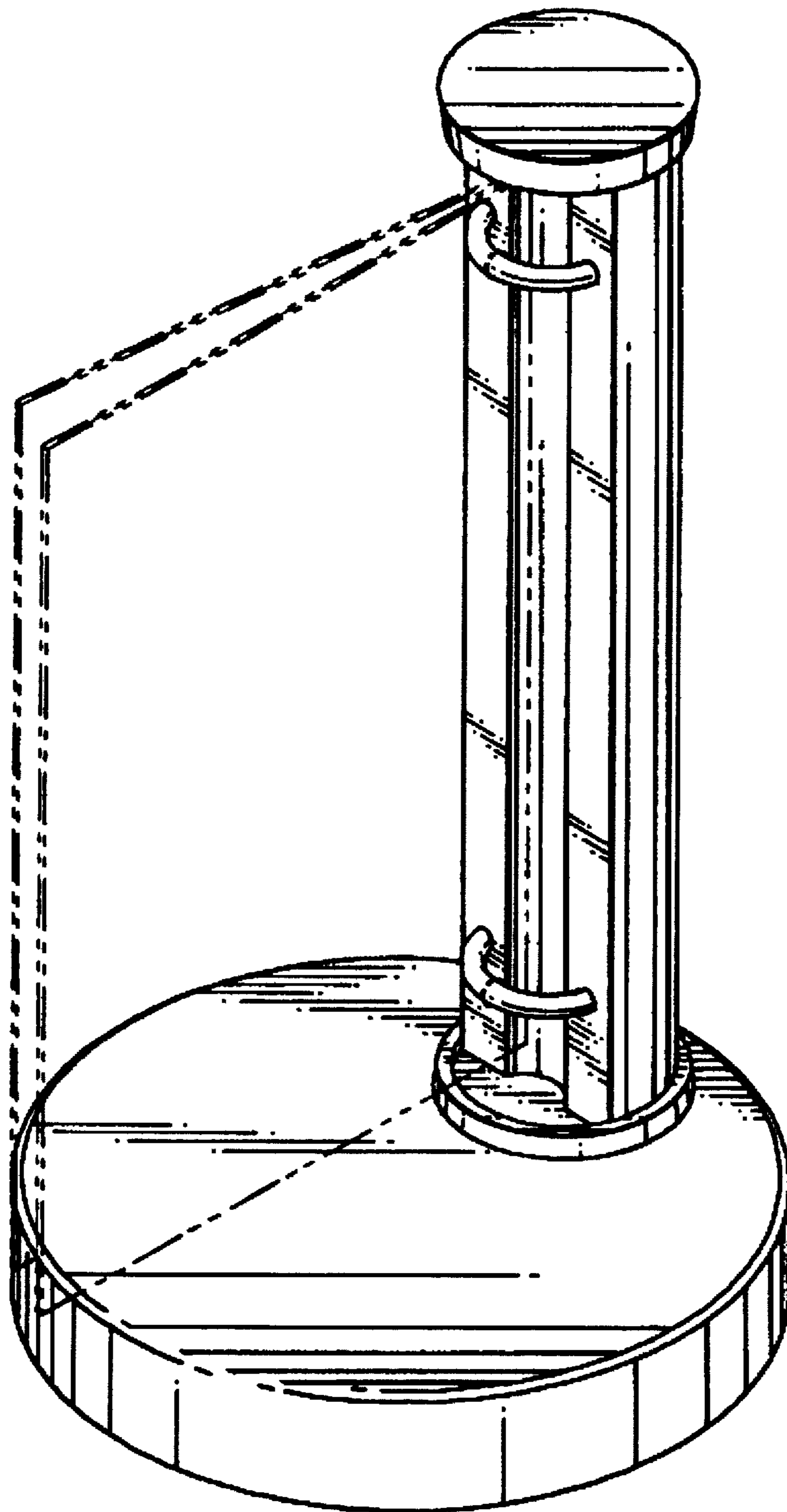


Fig. 1

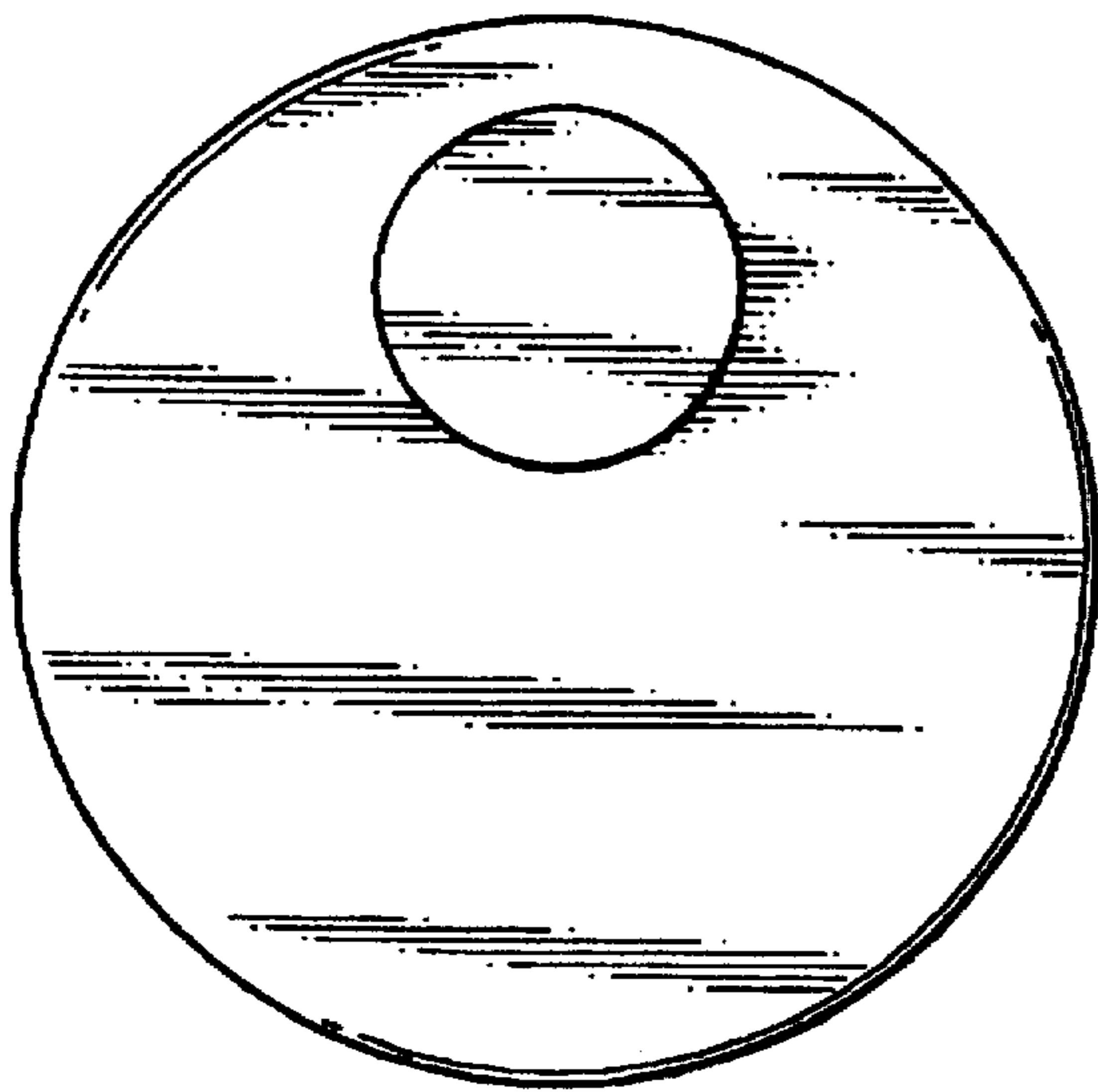


Fig. 2

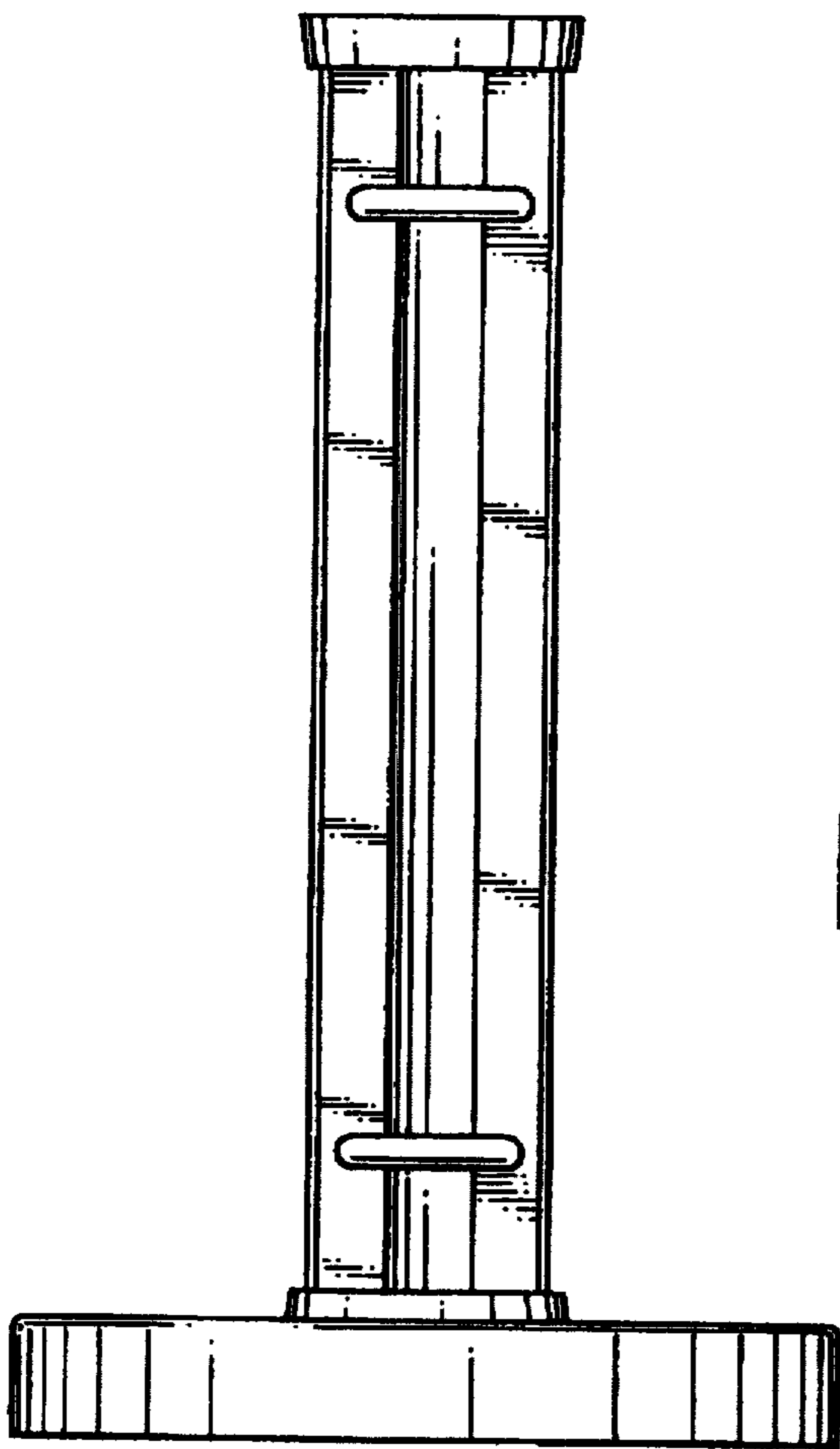


Fig. 4

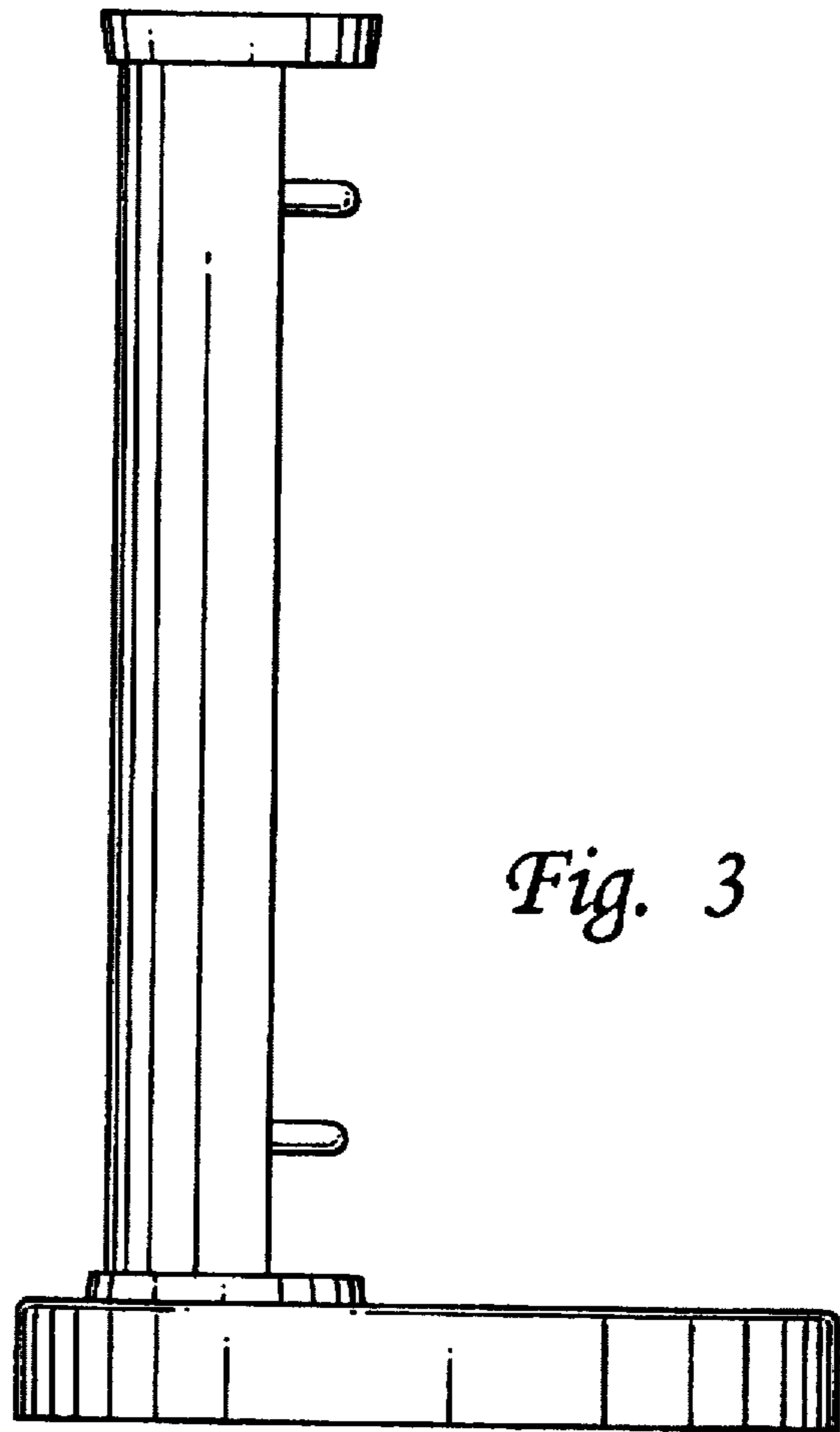


Fig. 3

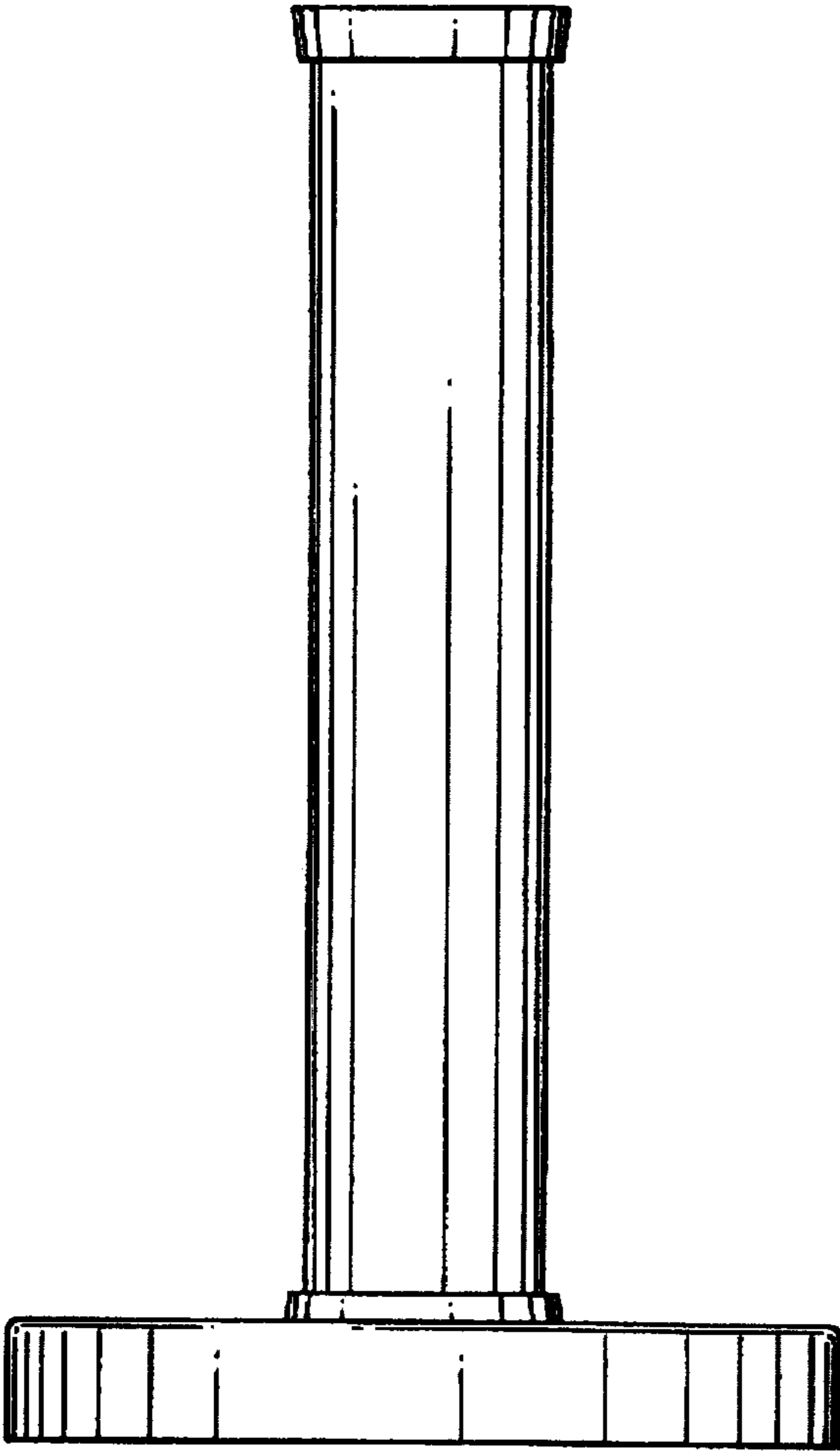


Fig. 5

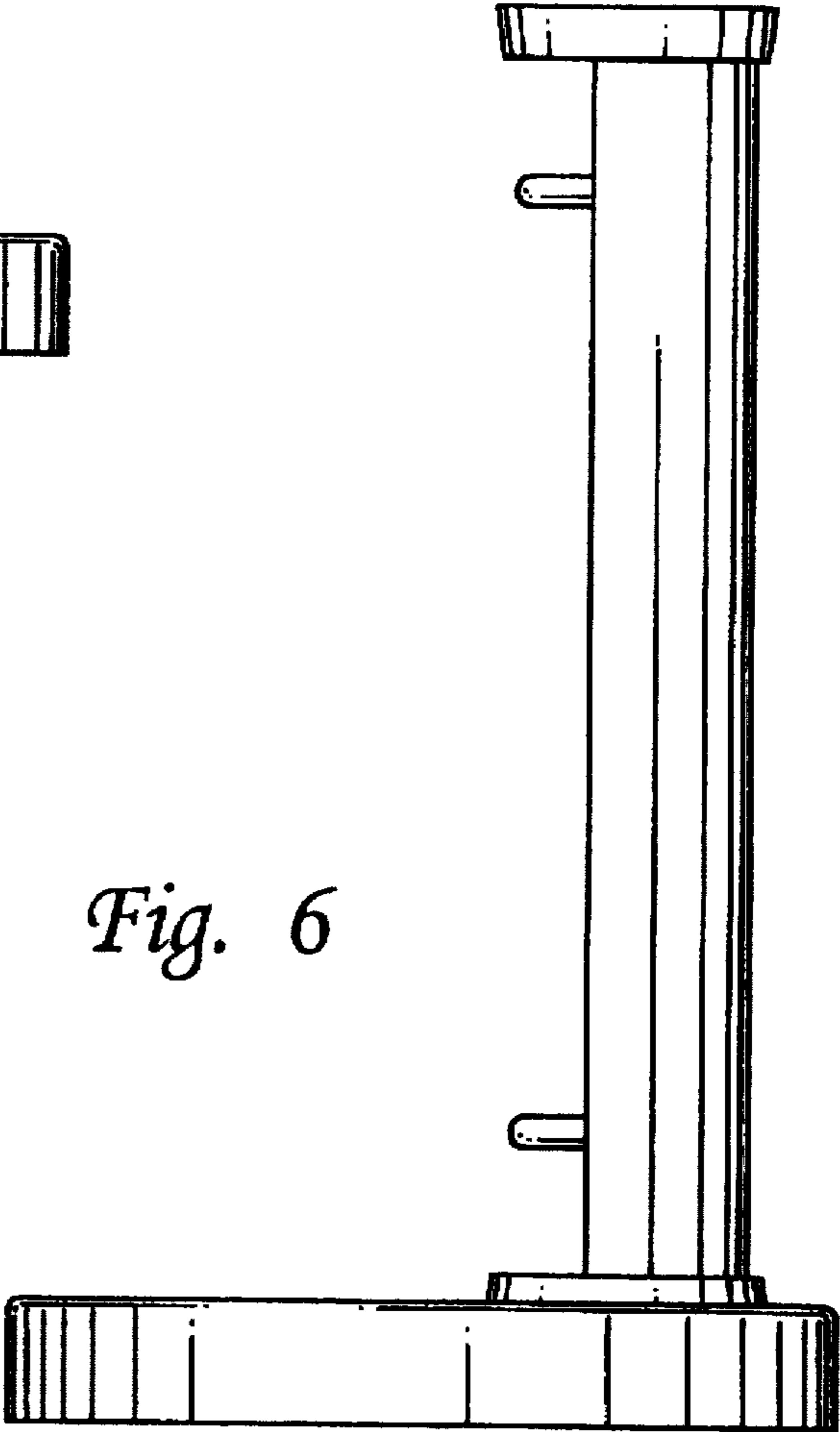


Fig. 6