



US00D390271S

United States Patent [19]
Wolff

[11] **Patent Number:** **Des. 390,271**
[45] **Date of Patent:** ****Feb. 3, 1998**

[54] **PATIENT INFORMATION HOLDING DEVICE**
[76] **Inventor:** **Stephen H. Wolff**, 35 W. 35th St., New York, N.Y. 10001
[**] **Term:** **14 Years**
[21] **Appl. No.:** **70,987**
[22] **Filed:** **May 16, 1997**
[51] **LOC (6) Cl.** **19-02**
[52] **U.S. Cl.** **D19/90; D19/86; D19/91**
[58] **Field of Search** **D19/35, 36, 65, D19/75, 78, 81-85, 86, 90, 91, 92, 95, 99, 100; 211/10, 11, 13, 50, 55, 126, 128, 45; D6/468**

D. 340,068 10/1993 Chan D19/90
D. 342,760 12/1993 Kirchhoff et al. D19/86 X
D. 357,939 5/1995 Turmala D19/90
4,944,412 7/1990 Turmala 211/11

Primary Examiner—Martie Thompson
Attorney, Agent, or Firm—Lerner, David, Littenberg, Krumholz & Mentlik

[57] **CLAIM**

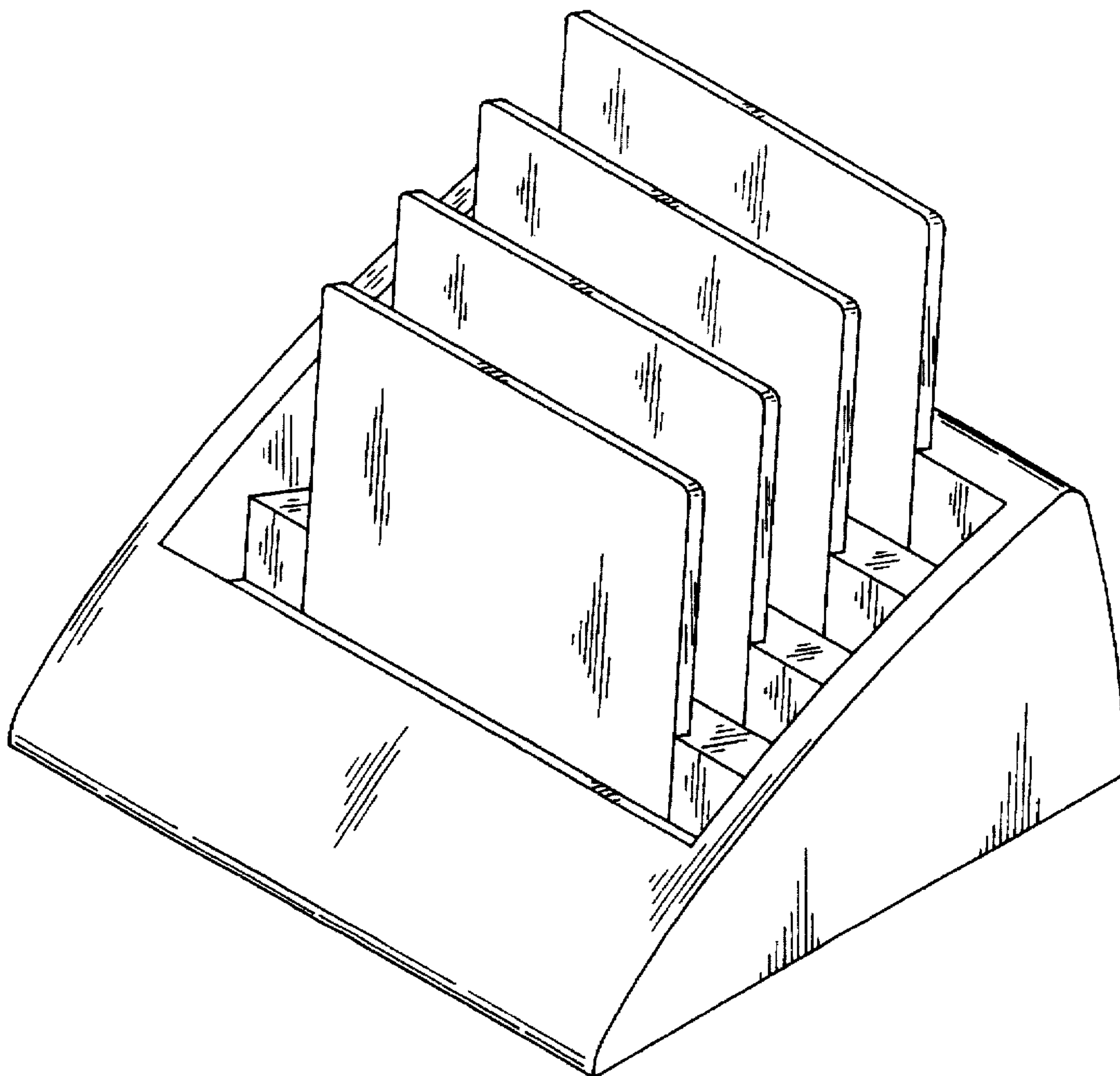
The ornamental design for a patient information holding device, shown and described.

DESCRIPTION

FIG. 1 is a front perspective view of the patient information holding device, in accordance with my invention; FIG. 2 is a front elevational view thereof; FIG. 3 is a top plan view thereof; FIG. 4 is a rear elevational view thereof; and, FIG. 5 is a right side elevational view (the left side is a mirror image thereof).
The appearance of the bottom surface forms no part of the claimed design.

[56] **References Cited**
U.S. PATENT DOCUMENTS
D. 201,411 6/1965 Tucker D19/90
D. 202,315 9/1965 Tucker D19/90
D. 277,969 3/1985 Bustos D19/75
D. 291,900 9/1987 Mortensen D19/90 X

1 Claim, 3 Drawing Sheets



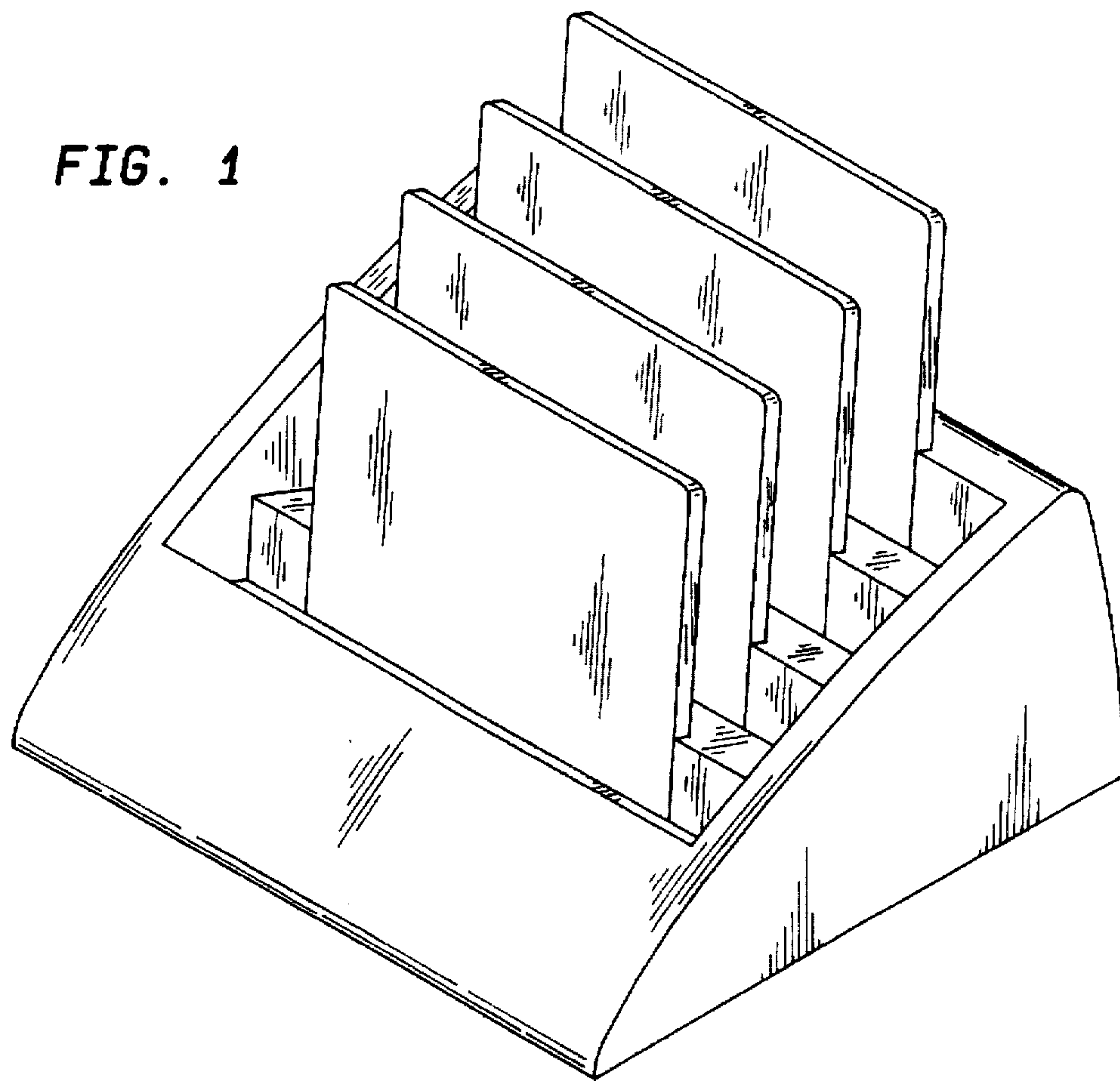


FIG. 2

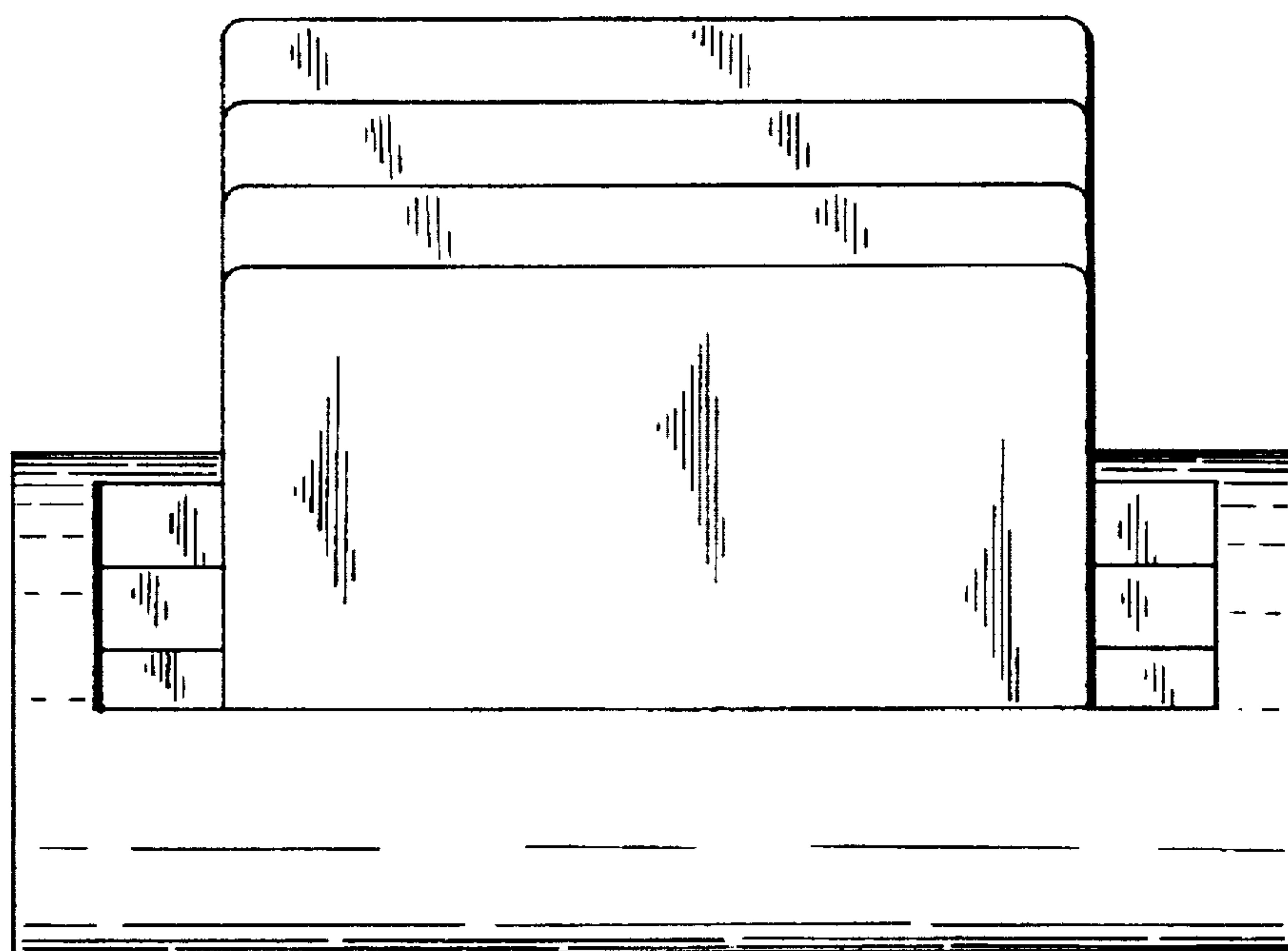


FIG. 3

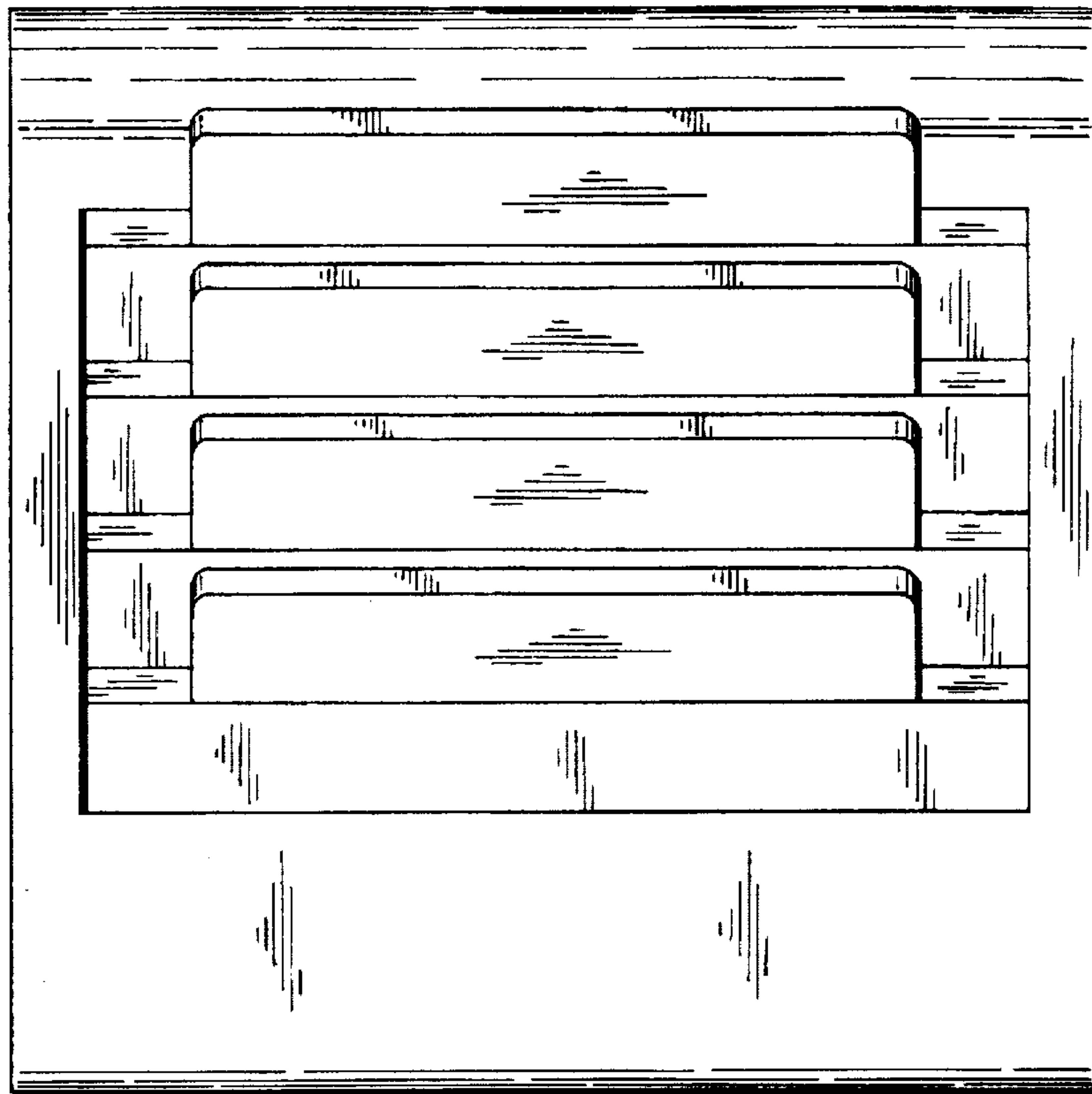


FIG. 4

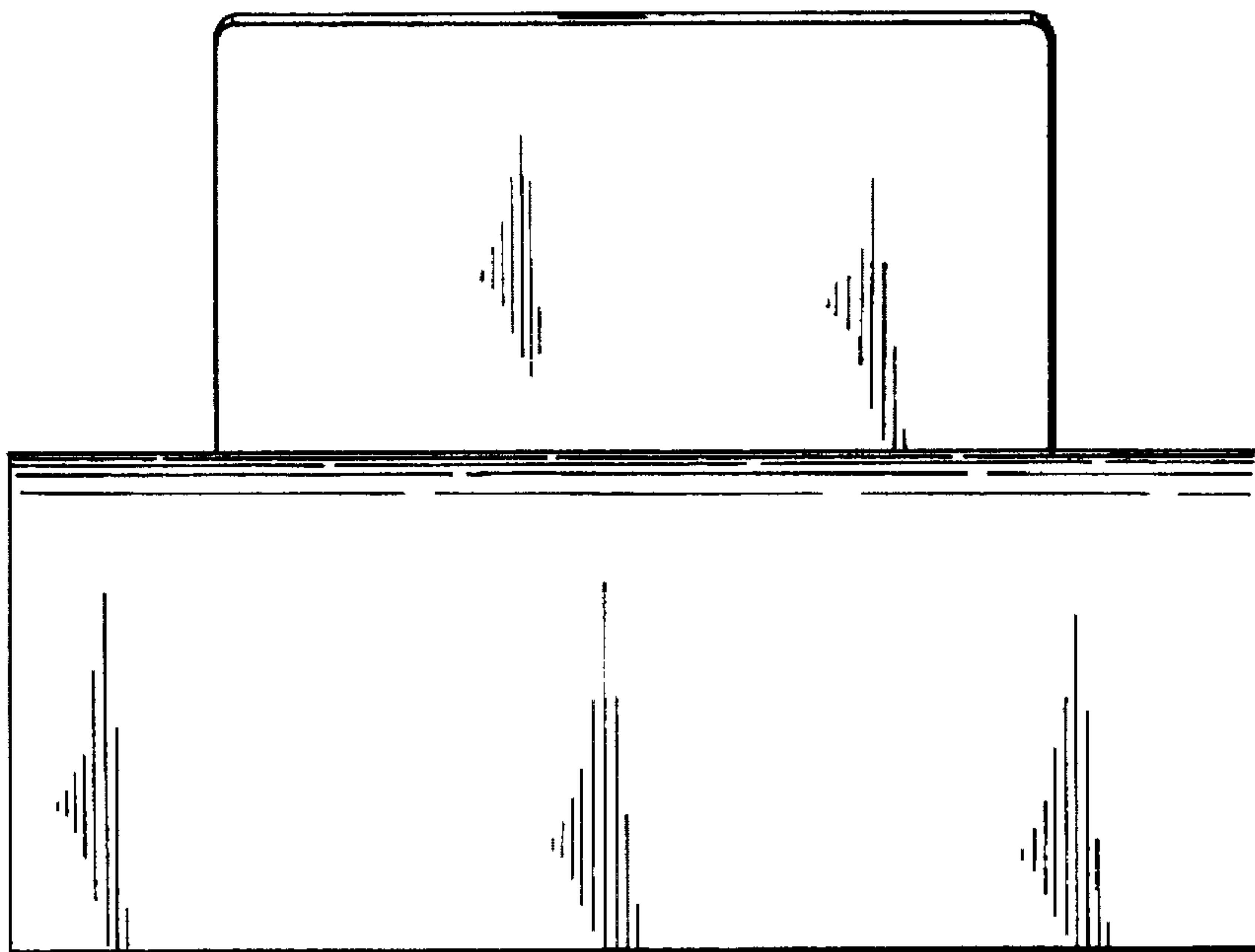


FIG. 5

