



US00D390270S

# United States Patent [19]

Cheris et al.

[11] Patent Number: **Des. 390,270**

[45] Date of Patent: **\*\*Feb. 3, 1998**

[54] **PROJECT FILE**

[75] Inventors: **Albert B. Cheris, Highland Park;**  
**Mark Dziersk, Chicago, both of Ill.**

[73] Assignee: **Tenex Corporation, Elk Grove Village,**  
**Ill.**

[\*\*] Term: **14 Years**

[21] Appl. No.: **68,560**

[22] Filed: **Apr. 1, 1997**

[51] LOC (6) Cl. .... **19-02**

[52] U.S. Cl. .... **D19/90; D19/75; D19/86;**  
**D19/91**

[58] Field of Search ..... **D3/201, 312; D6/407,**  
**D6/449, 466; D19/65, 75, 86, 90, 91, 95,**  
**99, 100; 312/183, 184, 201, 314; 206/425,**  
**444, 449, 45, 11; 211/10, 11**

[56] **References Cited**

**U.S. PATENT DOCUMENTS**

- D. 245,056 7/1977 Winther ..... D6/407
- D. 279,440 7/1985 Evenson .
- D. 294,317 2/1988 Evenson et al. .

- D. 299,037 12/1988 Klodt ..... D19/90
- D. 310,107 8/1990 Murphy et al. .... D19/75 X
- D. 316,113 4/1991 Hawes, Jr. et al. .... D19/86 X
- D. 328,101 7/1992 Rorke ..... D19/90
- D. 370,029 5/1996 Green et al. .... D19/91 X
- 3,363,954 1/1968 Brungoardt et al. .... 312/184
- 3,874,501 4/1975 Cronheim ..... 206/425

*Primary Examiner*—Martie Thompson  
*Attorney, Agent, or Firm*—Lockwood, Alex, FitzGibbon & Cummings

[57] **CLAIM**

The ornamental design for a project file, as shown and described.

**DESCRIPTION**

FIG. 1 is a perspective view of a project file showing our new design, the two hanging files depicted by means of broken lines being for illustrative purposes only and forming no part of the claimed design;

FIG. 2 is an elevational view of one side thereof;

FIG. 3 is a front elevational view thereof;

FIG. 4 is a top plan view thereof;

FIG. 5 is an elevational view of the other side thereof; and,

FIG. 6 is bottom plan view thereof.

**1 Claim, 3 Drawing Sheets**

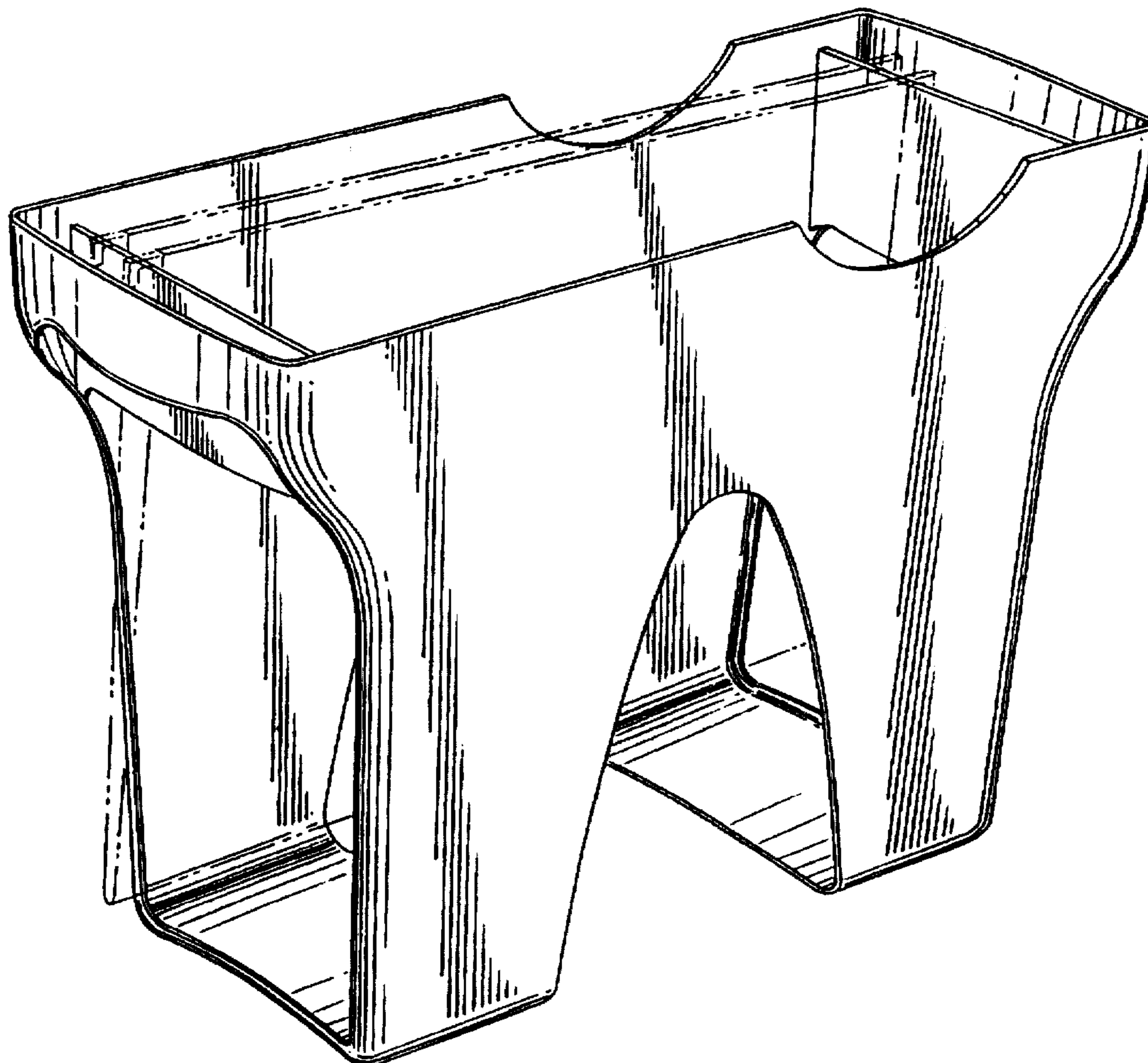


FIG. 1

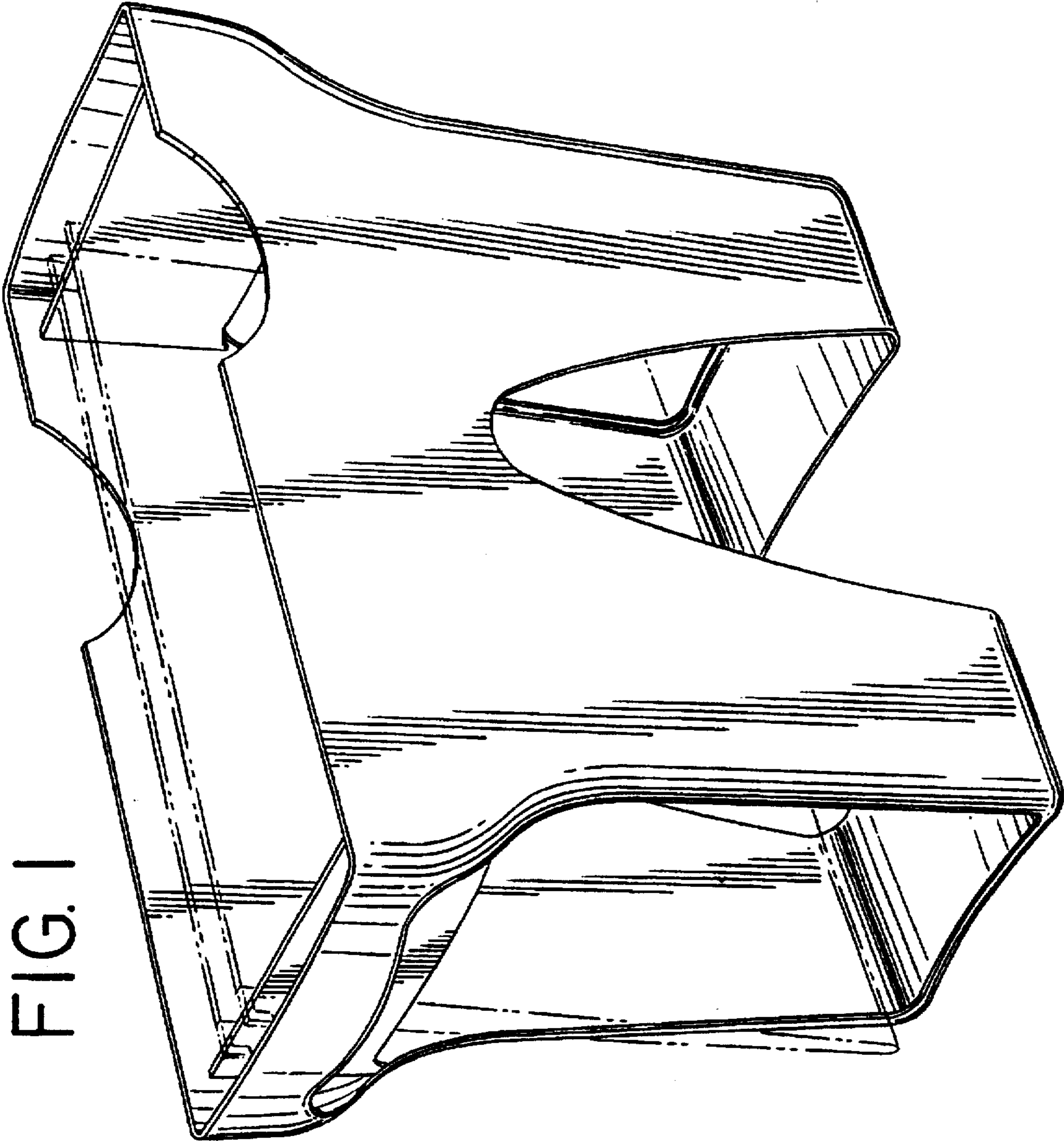


FIG. 2

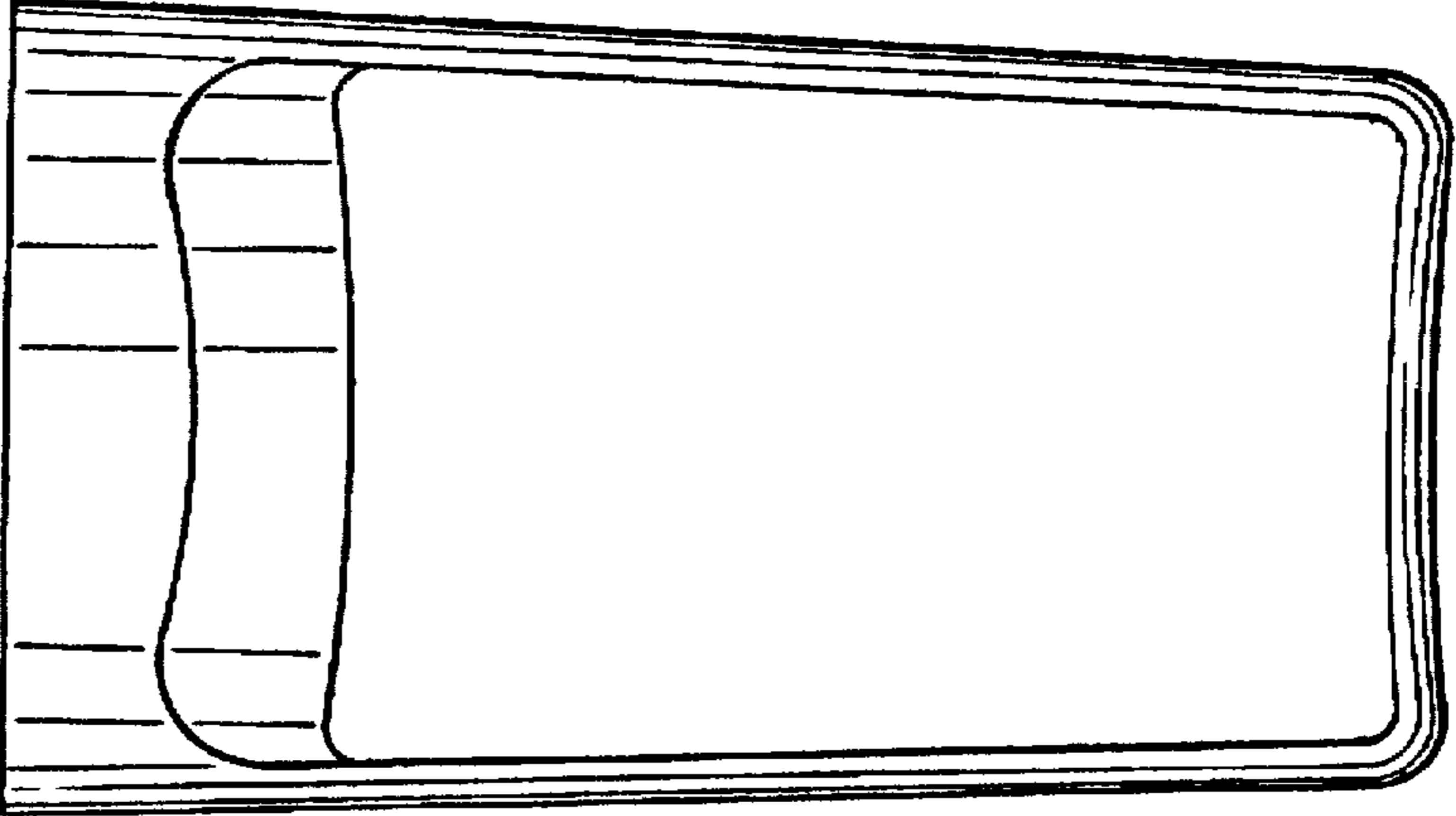


FIG. 3

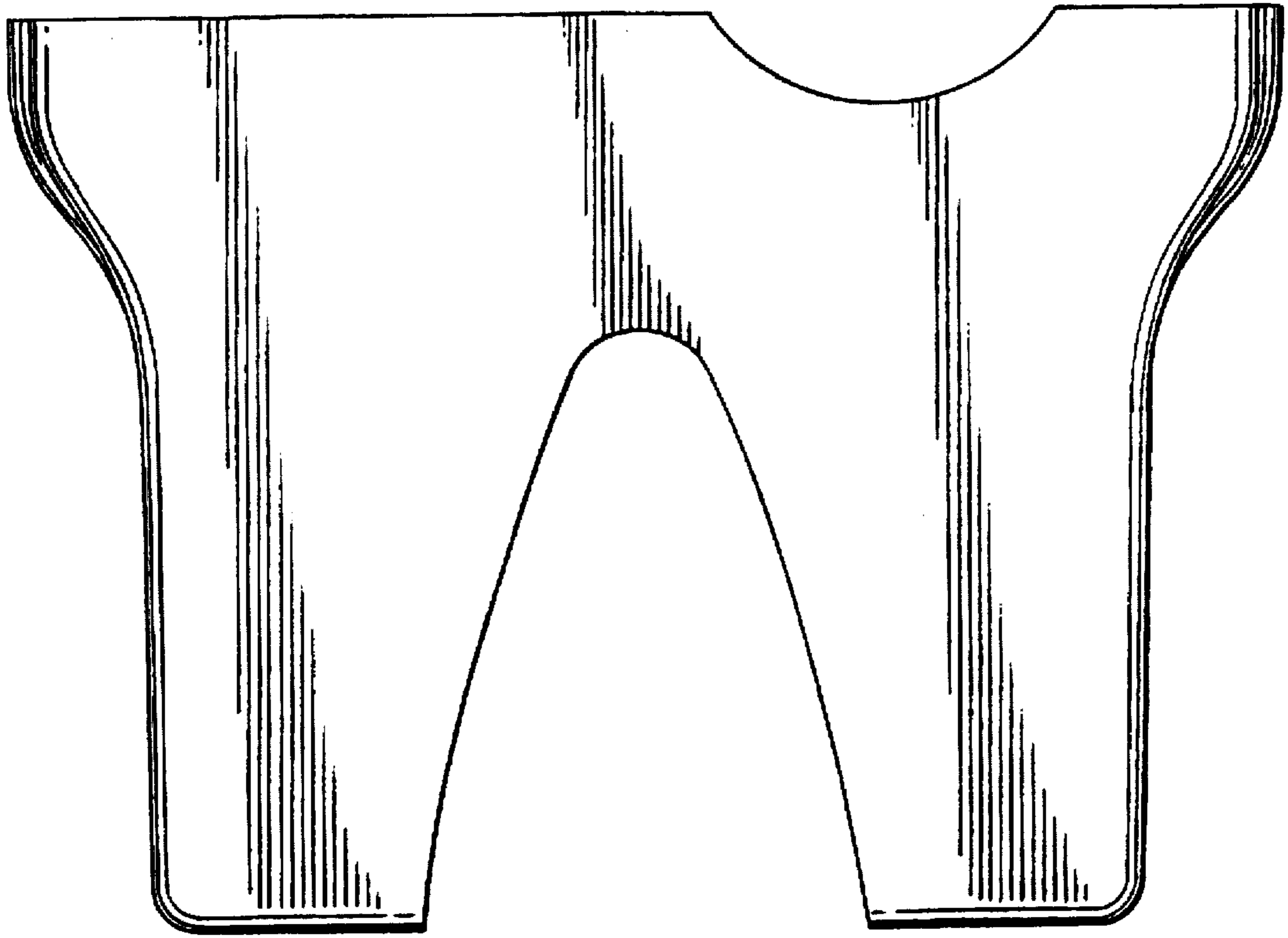


FIG. 4

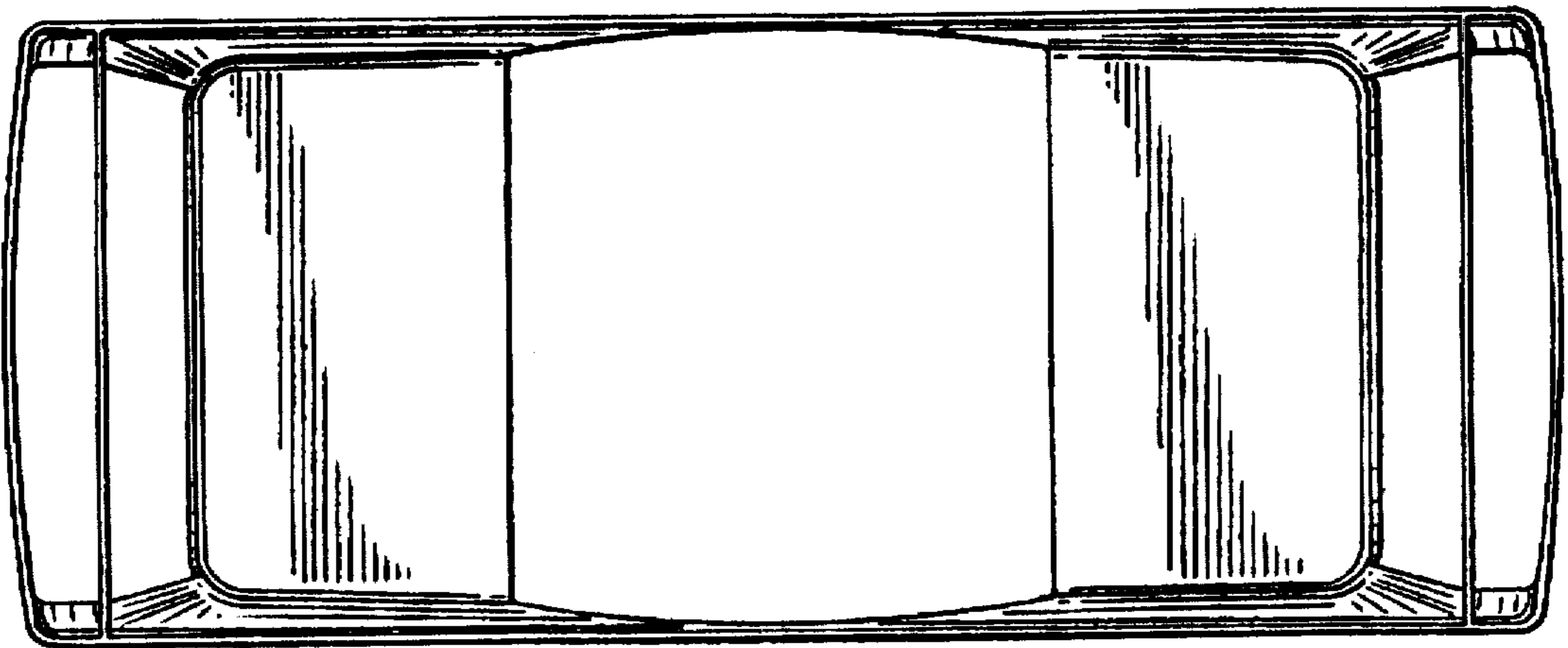


FIG. 5

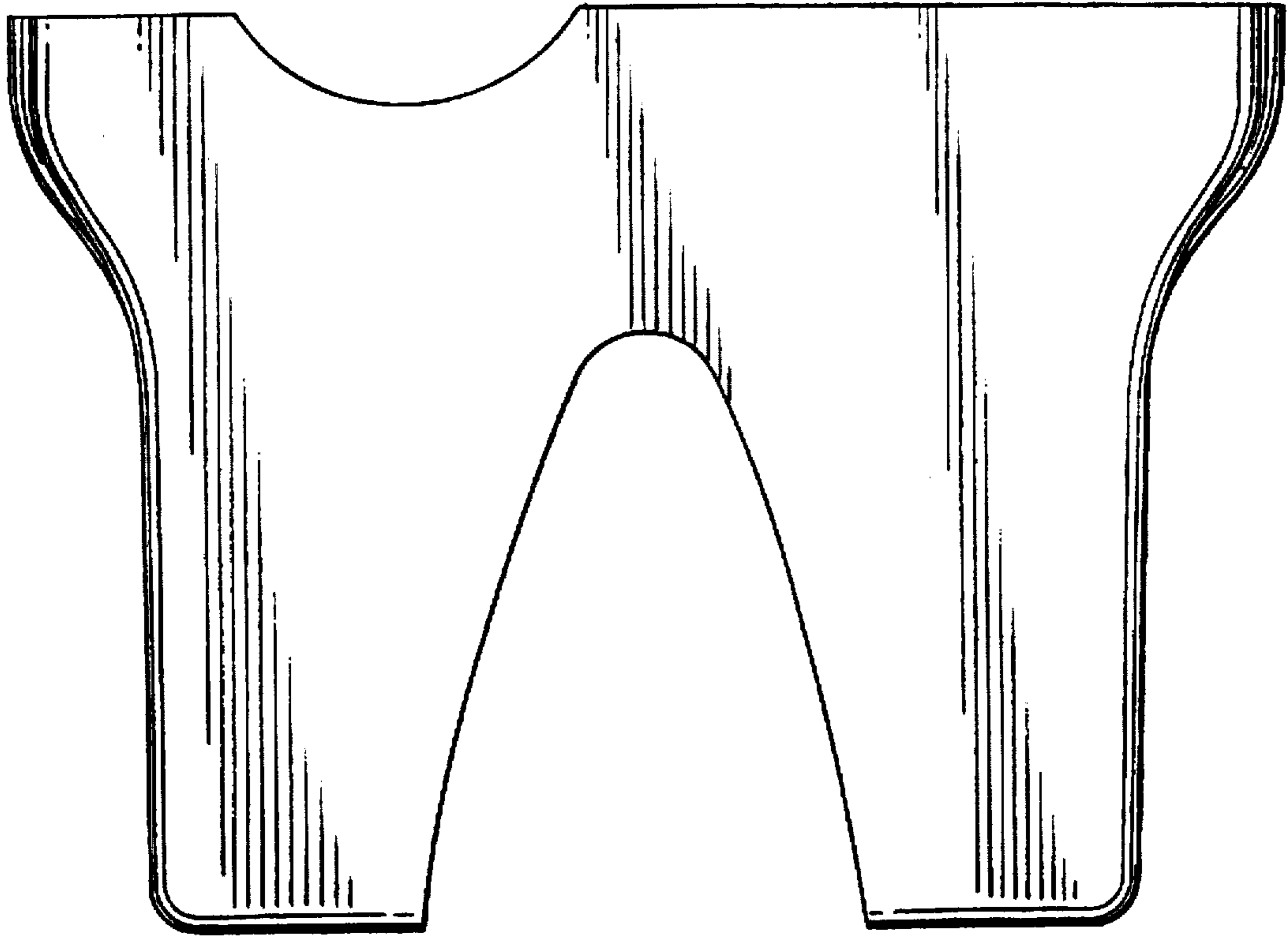


FIG. 6

