

US00D390269S

**United States Patent** [19]  
**Fotioo**

[11] **Patent Number: Des. 390,269**  
[45] **Date of Patent: \*\*Feb. 3, 1998**

[54] **DESK TOP FILE HOLDER**  
[75] **Inventor: Robert K. Fotioo, Hot Springs, Ark.**  
[73] **Assignee: Bycin Industries Inc., Hot Springs, Ark.**  
[\*\*] **Term: 14 Years**

[21] **Appl. No.: 64,075**  
[22] **Filed: Nov. 12, 1996**

[51] **LOC (6) Cl. .... 19-02**  
[52] **U.S. Cl. .... D19/90; D19/86; D19/95; D6/407; D6/462**  
[58] **Field of Search .... D19/65, 75, 76, D19/78, 86, 90, 91, 92, 95, 99, 100; D6/407, 629, 462; 211/10, 11, 40-43, 46, 181.1, 184, 189; 206/387**

[56] **References Cited**  
**U.S. PATENT DOCUMENTS**

D. 205,644 8/1966 Macowski ..... D19/90  
D. 209,455 12/1967 Clark ..... D6/407  
D. 215,897 11/1969 Aydelotte ..... D19/90  
D. 313,546 1/1991 Beirise et al. .... D19/86 X

D. 353,400 12/1994 Goodman et al. .... D19/90  
428,555 5/1890 Dom ..... 211/11  
2,892,548 6/1959 Huff ..... 211/40 X

**OTHER PUBLICATIONS**

Jacobs Gardner Office Products p. 144, see letter racks F, G and H, upper left, ©1989.

*Primary Examiner*—Martie Thompson  
*Attorney, Agent, or Firm*—Stephen D. Carver

[57] **CLAIM**

The ornamental design for a desk top file holder, as shown and described.

**DESCRIPTION**

FIG. 1 is a frontal perspective view of my desk top file holder;  
FIG. 2 is a rear view of thereof;  
FIG. 3 is a left side elevational view thereof, with the opposite side comprising a mirror image;  
FIG. 4 is a front elevational view thereof;  
FIG. 5 is a top plan view thereof;  
FIG. 6 is a rear elevational view thereof; and,  
FIG. 7 is a bottom plan view thereof.

**1 Claim, 4 Drawing Sheets**

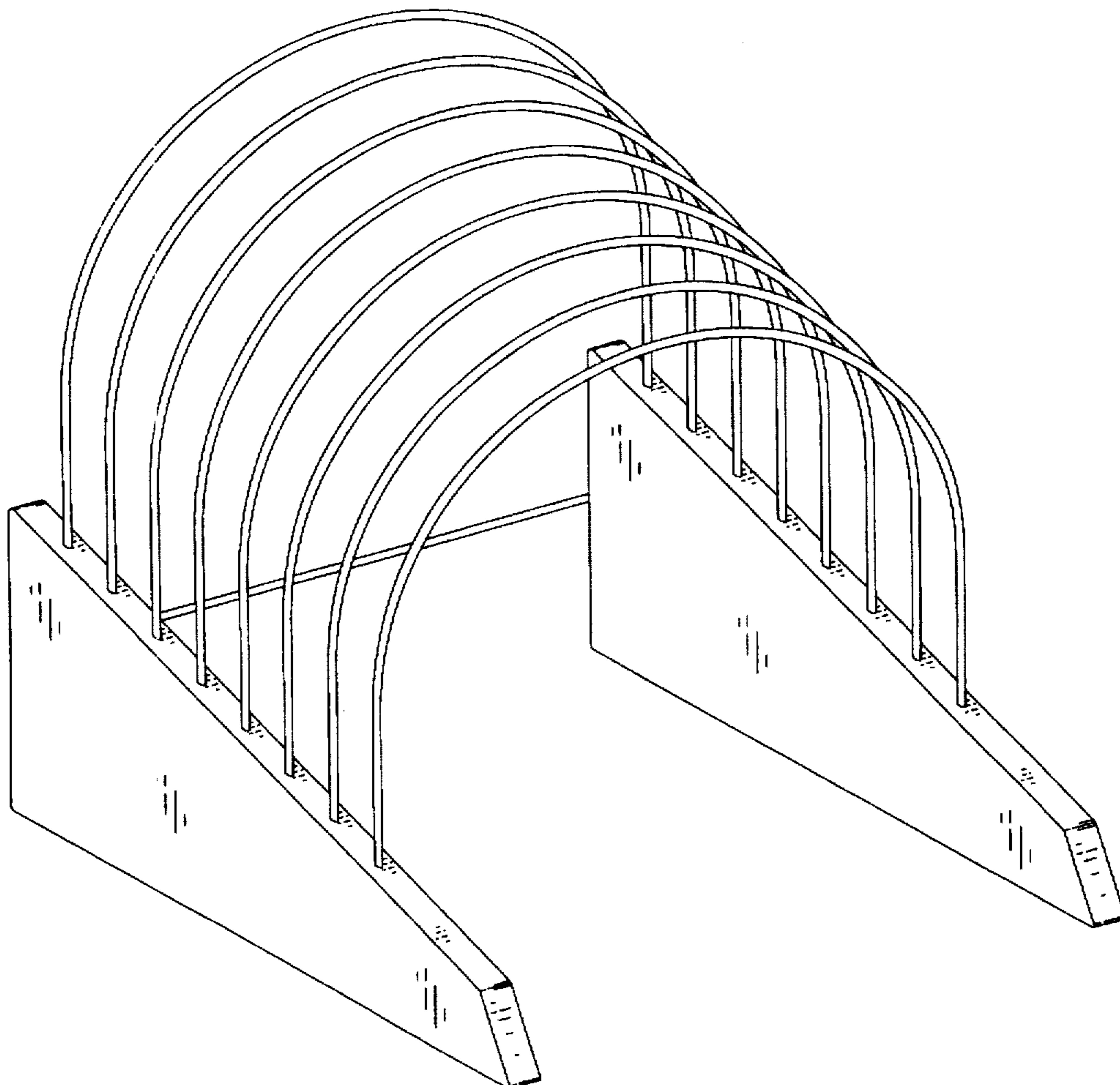


FIG. 1

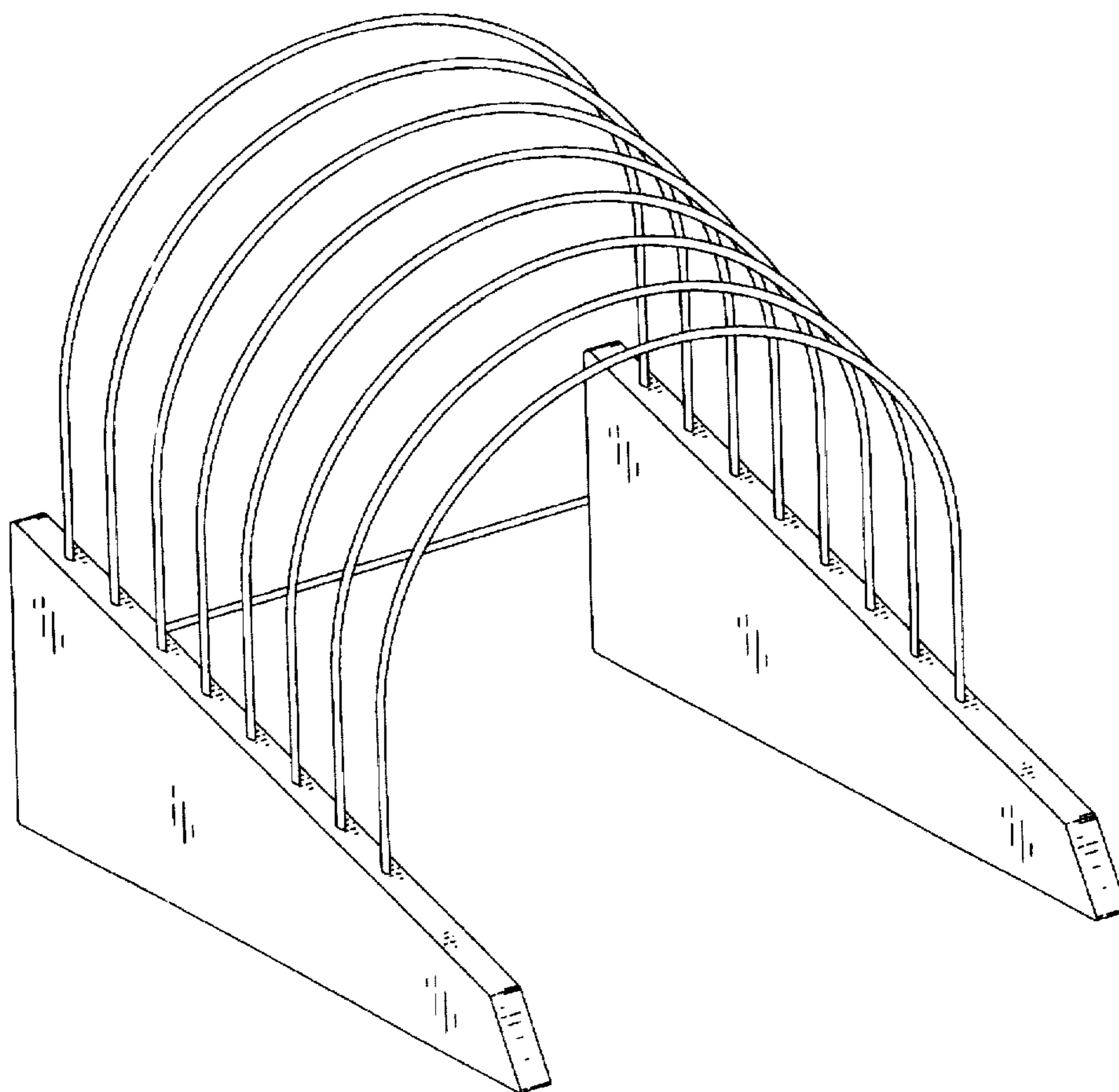


FIG. 2

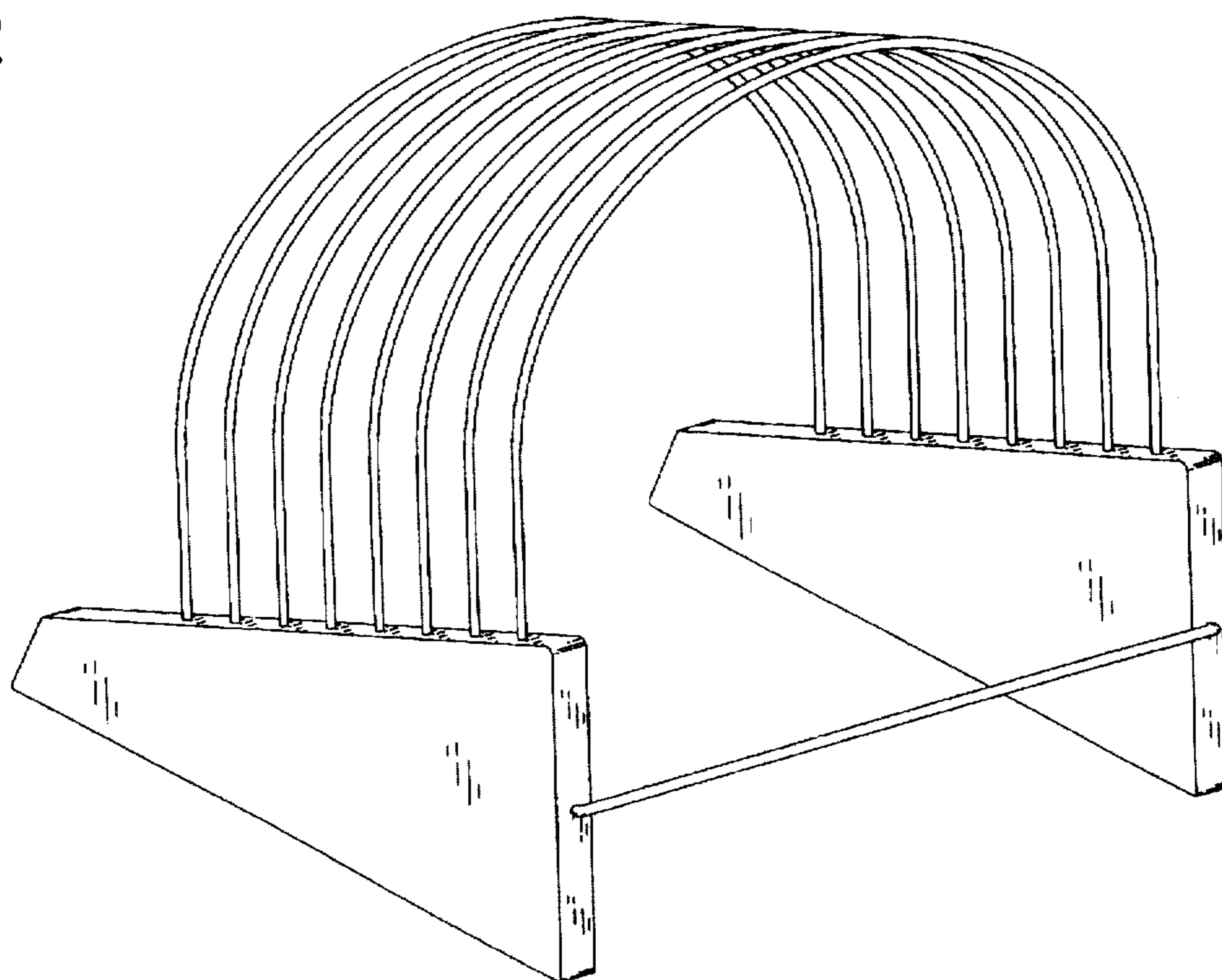


FIG. 3

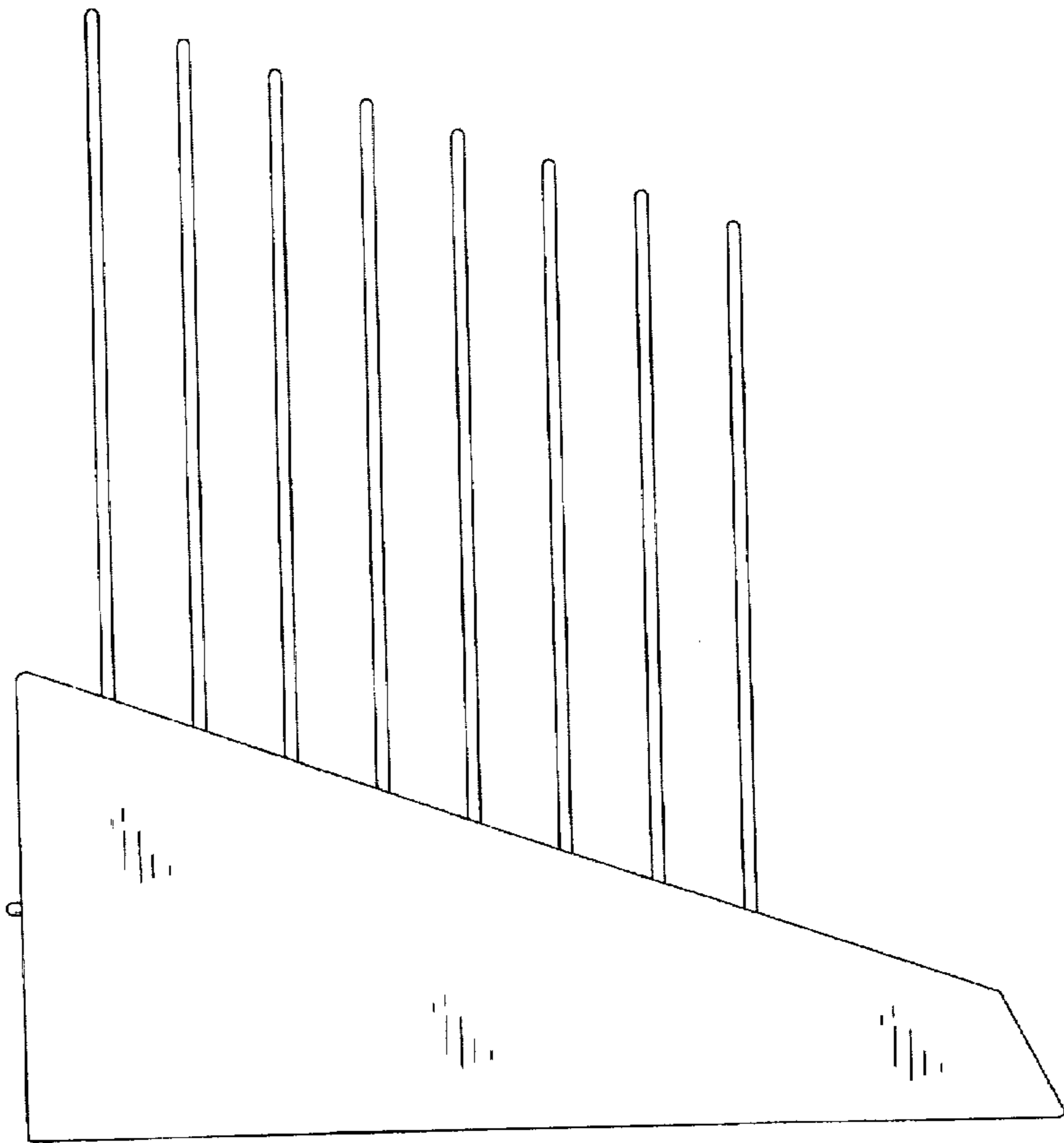


FIG. 4

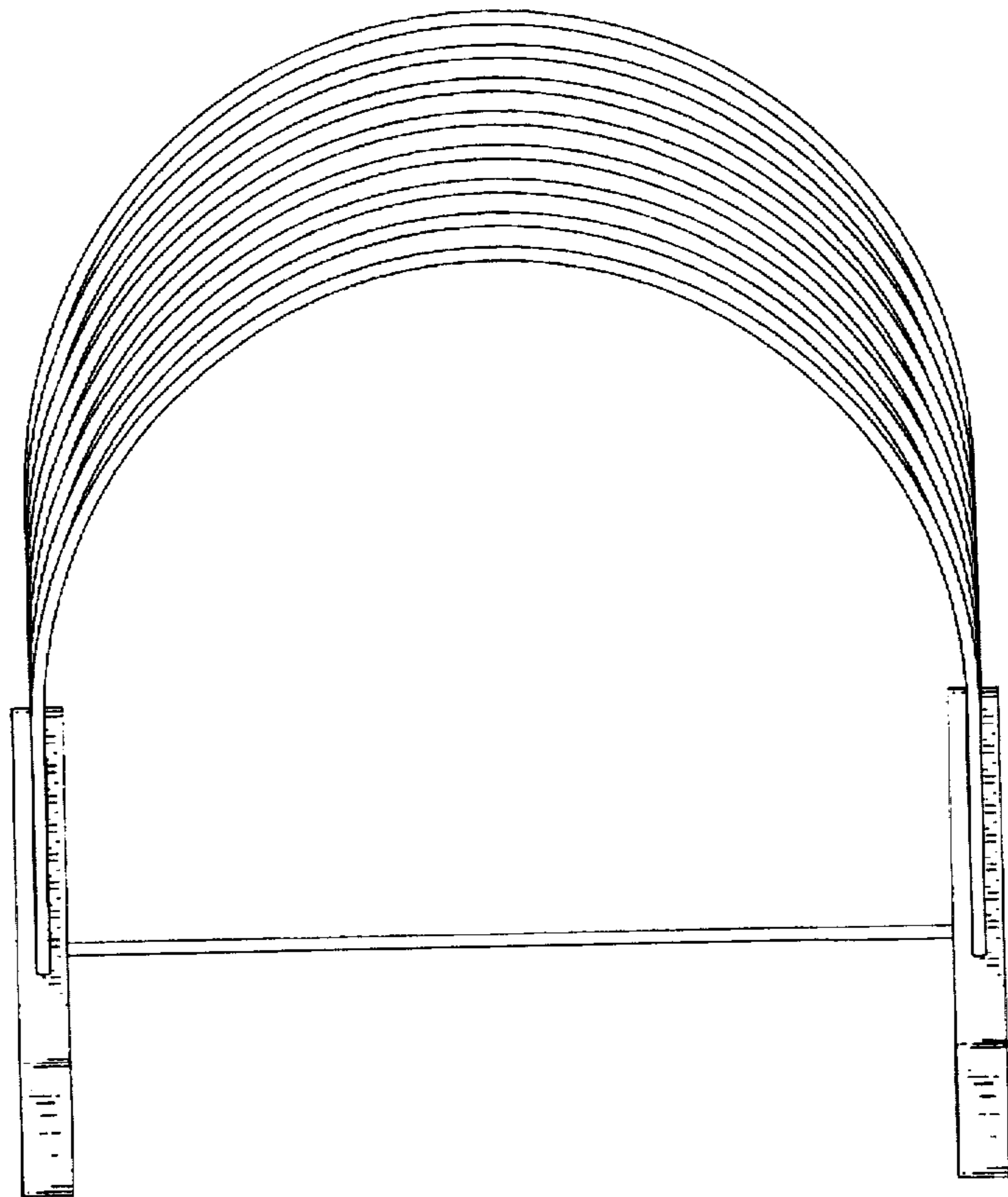


FIG. 5

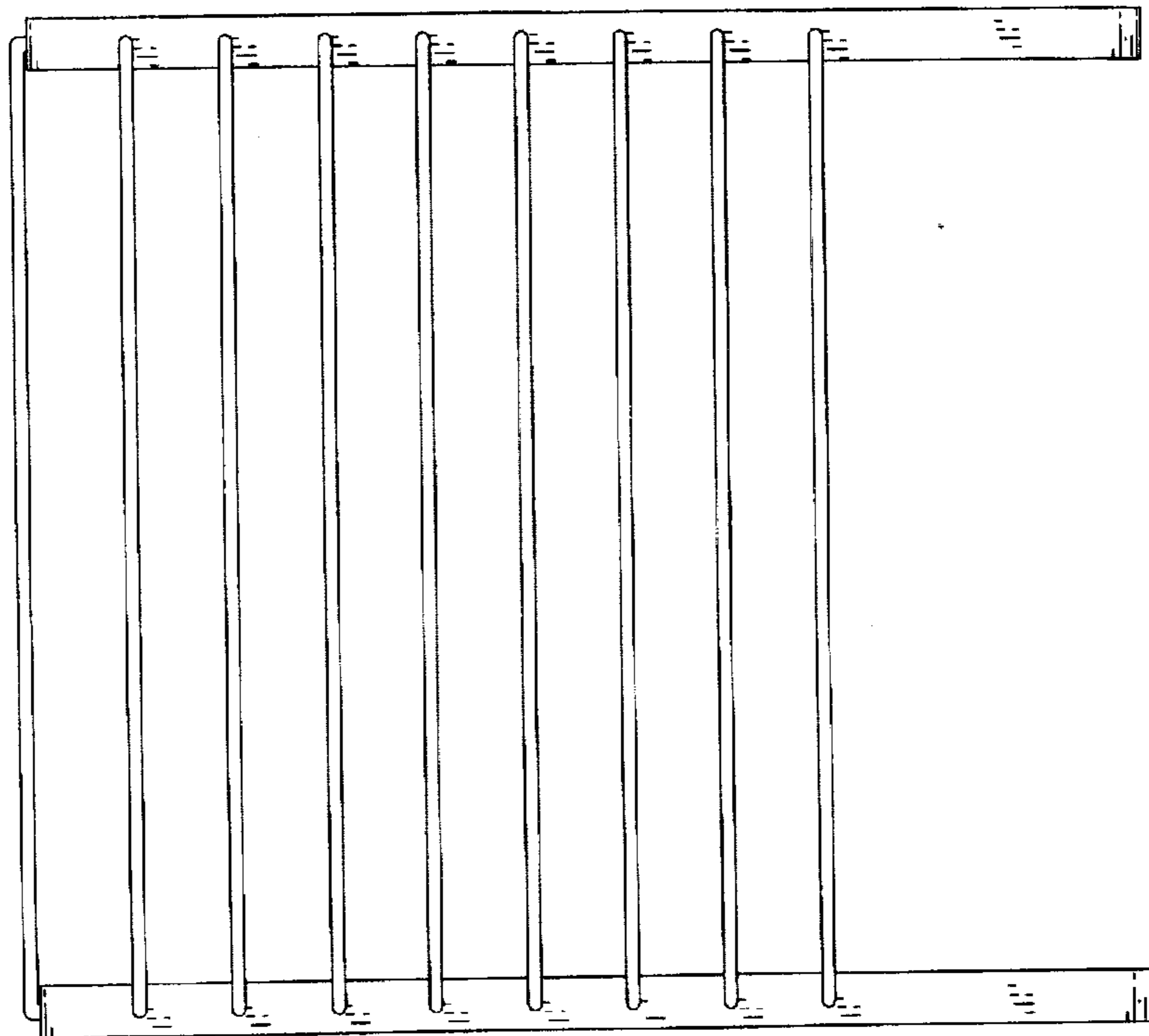


FIG. 6

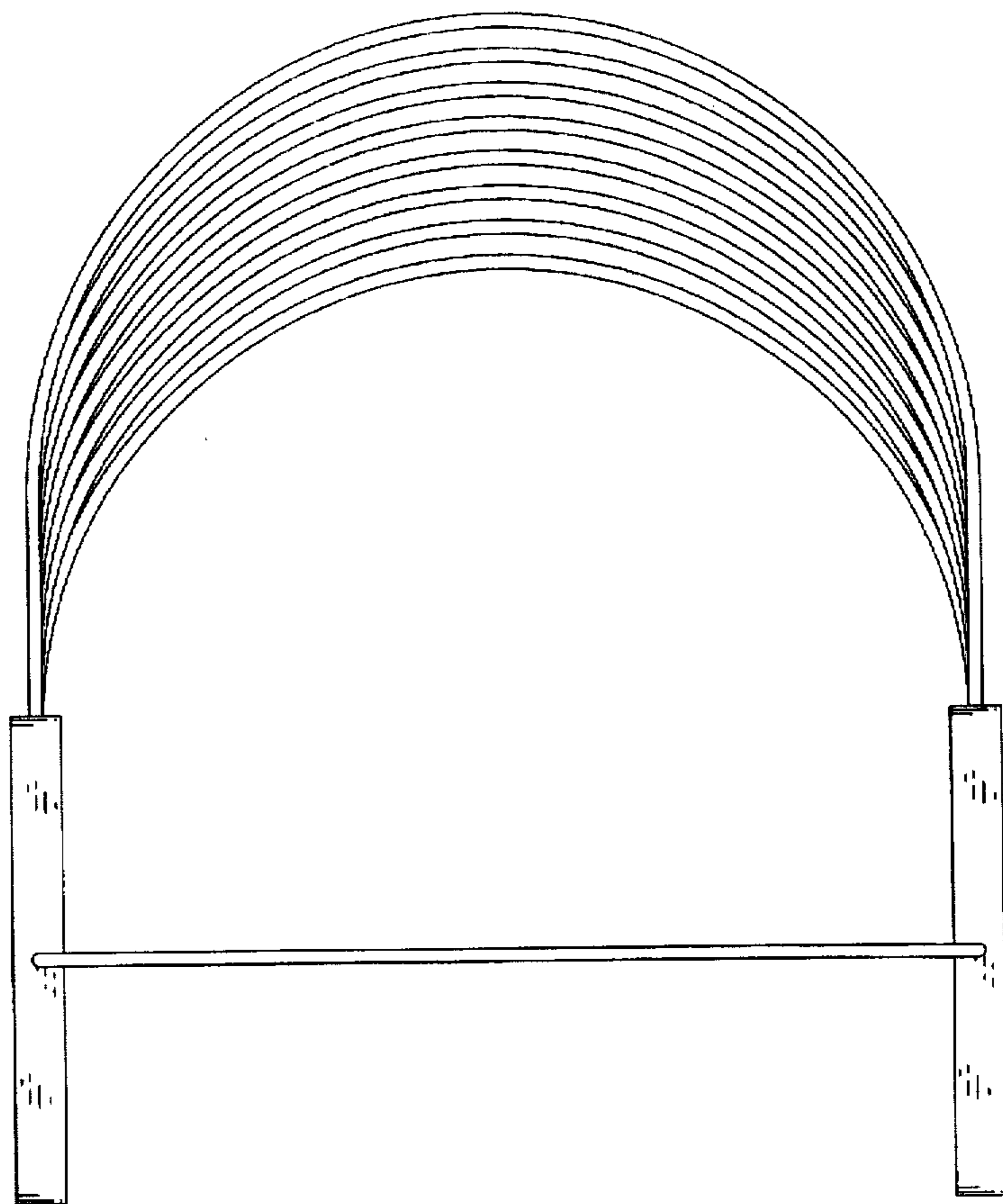


FIG. 7

