



US00D390263S

United States Patent [19]
Jack

[11] **Patent Number:** **Des. 390,263**
[45] **Date of Patent:** ****Feb. 3, 1998**

[54] **MULTI-PURPOSE INFORMATION CENTER**

[75] **Inventor:** **Douglas M. Jack**, Fullerton, Calif.

[73] **Assignee:** **Day Runner, Inc.**, Fullerton, Calif.

[**] **Term:** **14 Years**

[21] **Appl. No.:** **71,427**

[22] **Filed:** **May 29, 1997**

Related U.S. Application Data

[62] **Division of Ser. No. 62,993**, Nov. 11, 1996.

[51] **LOC (6) Cl.** **19-06**

[52] **U.S. Cl.** **D19/52; D19/21; D19/23;**
D19/85; D19/90; D20/19; D6/553; D6/569

[58] **Field of Search** **D6/300, 527, 553,**
D6/569-572; D20/10, 19, 39, 42; D19/35,
36, 52, 21-23, 77, 78, 81-85, 86, 90, 91,
99, 100; 40/1, 124, 124.2, 124.4, 905, 107-120,
122

[56] **References Cited**

U.S. PATENT DOCUMENTS

D. 161,787 1/1951 Pakras et al. D19/86 X

D. 234,557	3/1975	Tiburzi	D6/300
D. 242,098	11/1976	Leopold	D6/571
D. 250,652	12/1978	Anderson	D19/52
D. 267,842	2/1983	Brescia et al.	D6/527
D. 278,493	4/1985	Brescia et al.	D6/570
373,235	11/1887	Isbell	40/107
4,133,123	1/1979	Anderson	40/1

Primary Examiner—Martie Thompson
Attorney, Agent, or Firm—Pretty, Schroeder & Poplawski

[57] **CLAIM**

The ornamental design for a multi-purpose information center, as shown and described.

DESCRIPTION

FIG. 1 is a left front perspective view of a multi-purpose information center showing my new design;
FIG. 2 is a front elevational view;
FIG. 3 is a right side elevational view;
FIG. 4 is a left side elevational view;
FIG. 5 is a top plan view; and,
FIG. 6 is a bottom plan view thereof.

The rear of the multi-purpose information center is plain and unornamented.

1 Claim, 3 Drawing Sheets

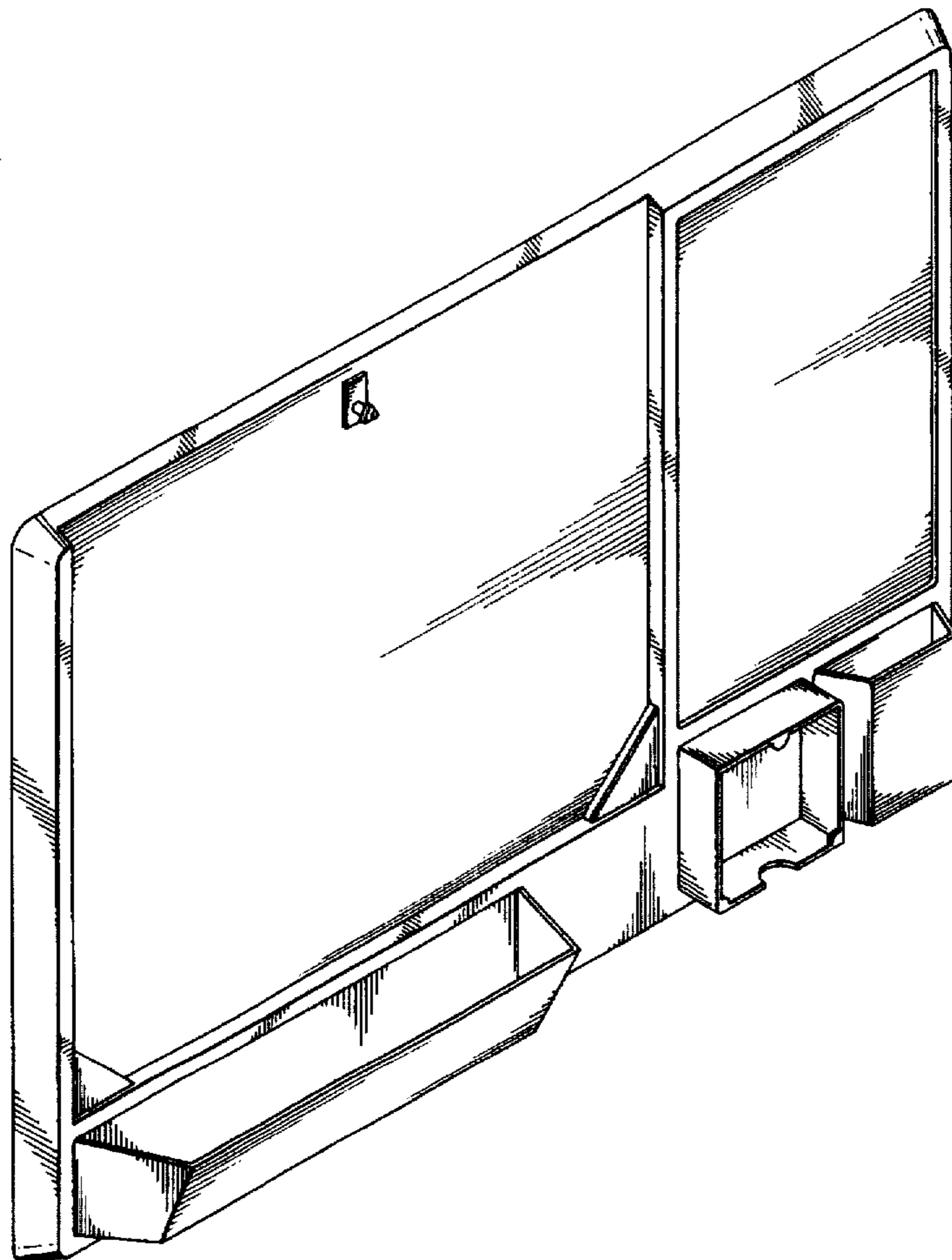


FIG. 1

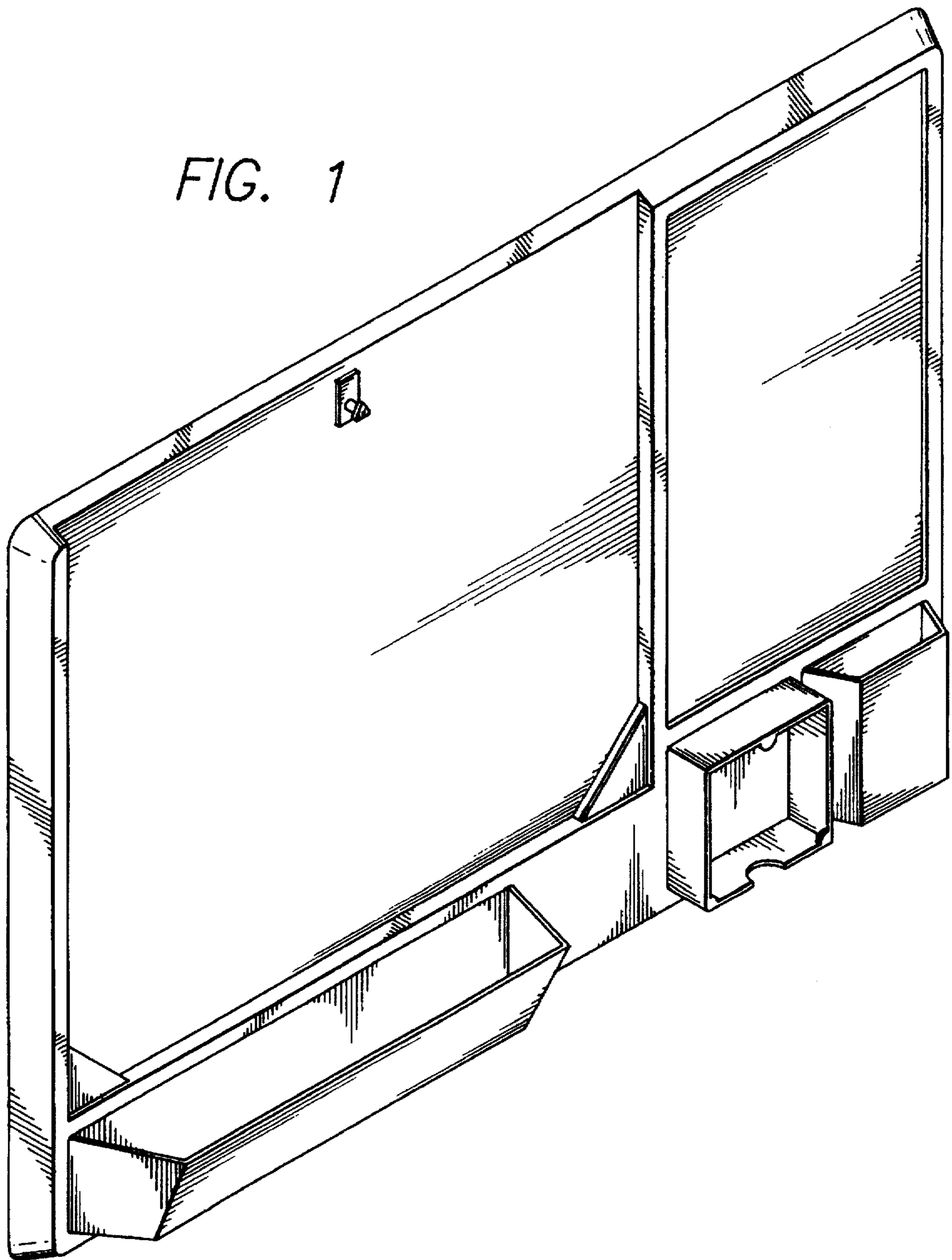


FIG. 3

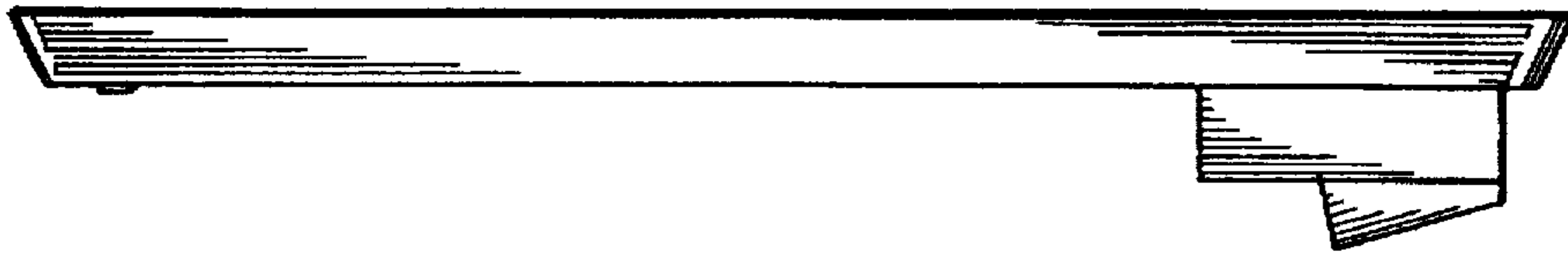


FIG. 2

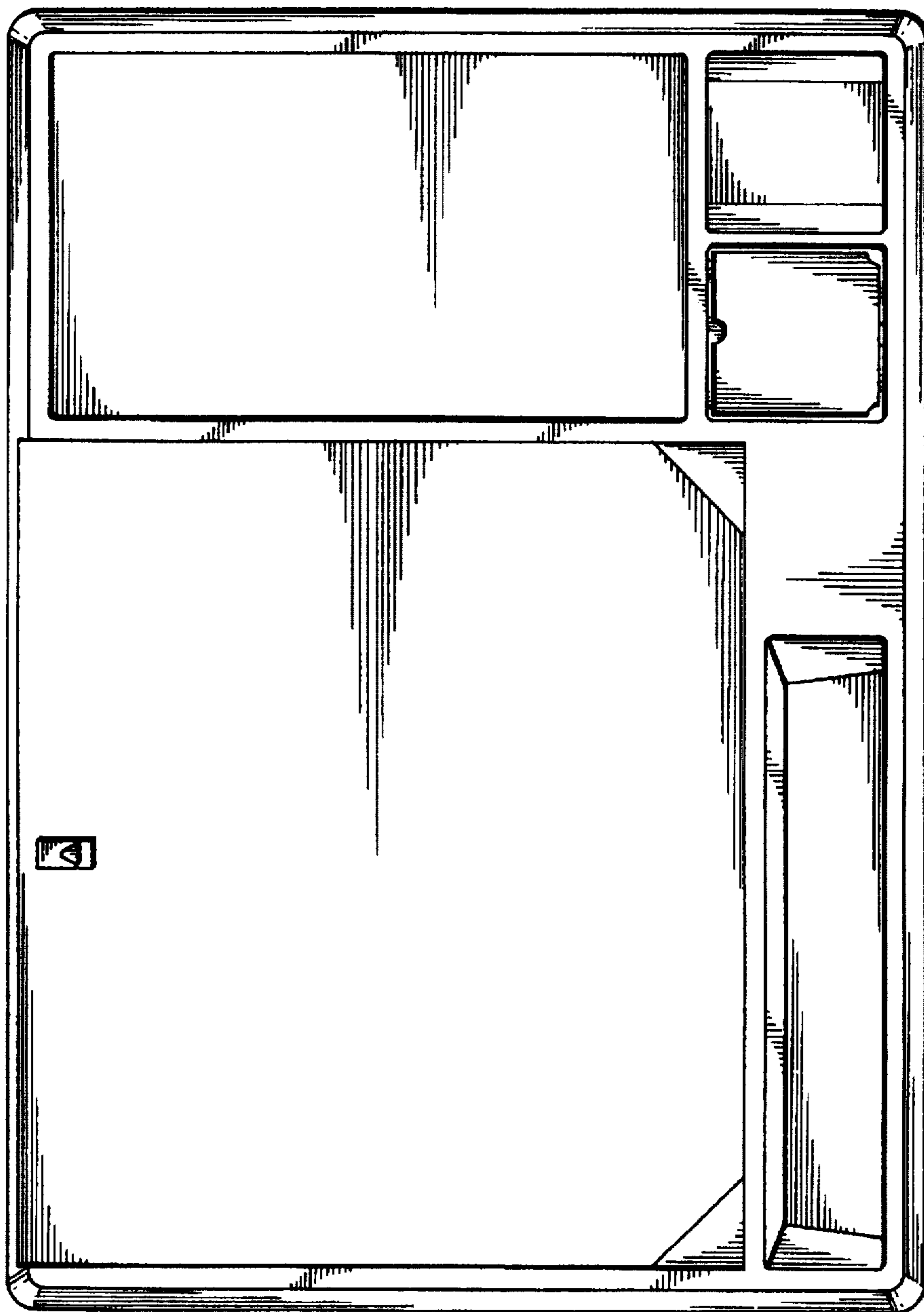


FIG. 4

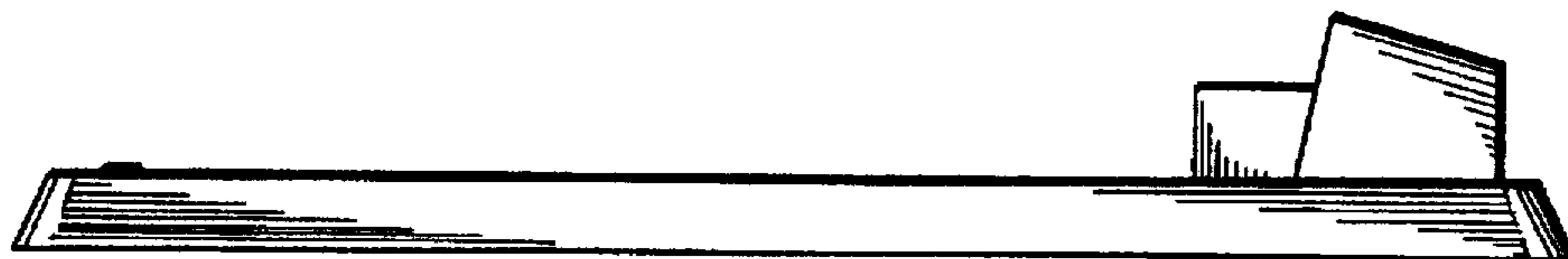


FIG. 5

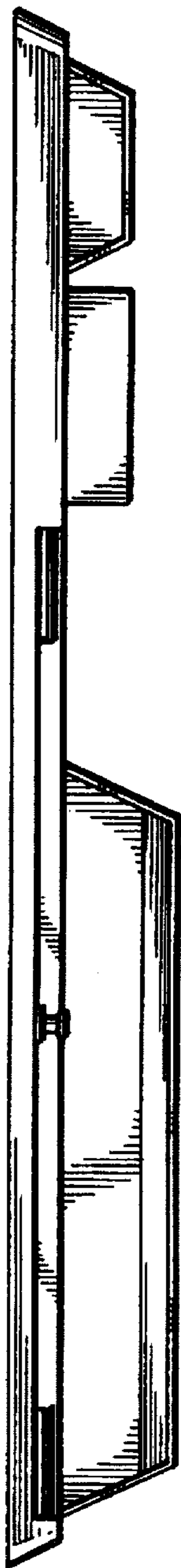


FIG. 6

