

US00D390260S

United States Patent [19]

[11] Patent Number: **Des. 390,260**

Akahane et al.

[45] Date of Patent: ****Feb. 3, 1998**

[54] **LEVER FOR RECORDING UNIT OF INK JET PRINTER**

4,273,046	6/1981	Sati	101/348
4,755,836	7/1988	Ta et al.	347/87
5,406,885	4/1995	Privin	101/348

[75] Inventors: **Fujio Akahane; Kohji Watanabe**, both of Suwa, Japan

FOREIGN PATENT DOCUMENTS

[73] Assignee: **Seiko Epson Corporation**, Tokyo, Japan

1141749	6/1989	Japan	347/86
5162323	6/1993	Japan	347/86
5162331	6/1993	Japan	347/86
5318762	12/1993	Japan	347/86
6015835	1/1994	Japan	347/86
6143605	5/1994	Japan	347/86
183028	7/1994	Japan	347/86

[**] Term: **14 Years**

[21] Appl. No.: **60,158**

[22] Filed: **Aug. 16, 1996**

Primary Examiner—Cathy Anne MacCormac
Attorney, Agent, or Firm—Stroock & Stroock & Lavan LLP

Related U.S. Application Data

[62] Division of Ser. No. 43,028, Aug. 23, 1995.

[57] CLAIM

[30] **Foreign Application Priority Data**

Feb. 23, 1995	[JP]	Japan	7-4719
Apr. 28, 1995	[JP]	Japan	7-12166
Apr. 28, 1995	[JP]	Japan	7-12167
Apr. 28, 1995	[JP]	Japan	7-12168

The ornamental design for a lever for recording unit of ink jet printer, as shown and described.

[51] **LOC (6) Cl.** **18-02**

[52] **U.S. Cl.** **D18/56**

[58] **Field of Search** D18/56, 40, 43,
D18/12; 347/86-88; 101/348

DESCRIPTION

FIG. 1 is a top, front and right side perspective view of a lever for recording unit of ink jet printer showing our new design;

FIG. 2 is a front view thereof;

FIG. 3 is a rear view thereof;

FIG. 4 is a right side view thereof;

FIG. 5 is a top plan view thereof;

FIG. 6 is a bottom plan view thereof; and,

FIG. 7 is a left side view thereof.

[56] **References Cited**

U.S. PATENT DOCUMENTS

4,044,677 8/1977 Hamisch, Jr. 101/348

1 Claim, 2 Drawing Sheets

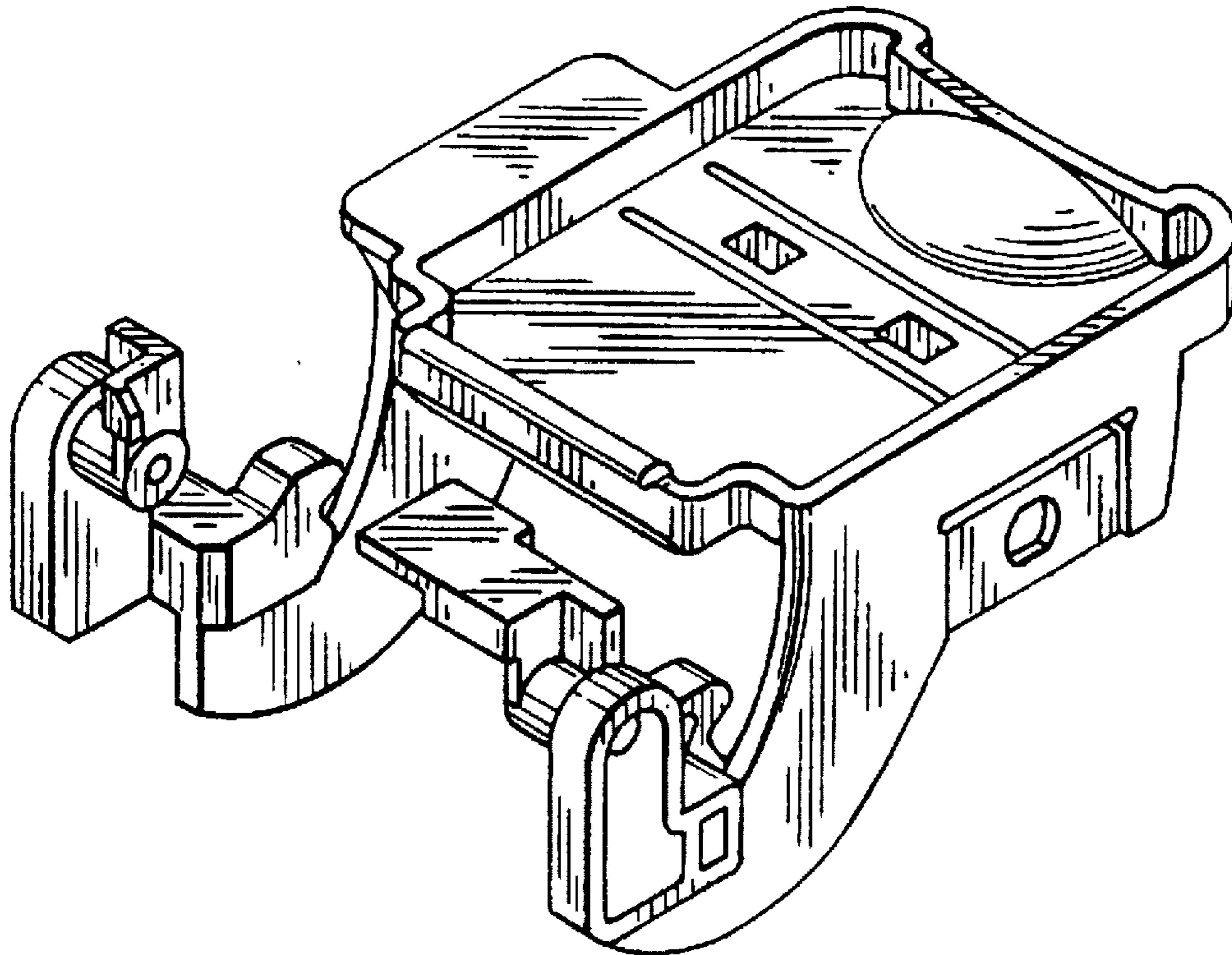


FIG. 1

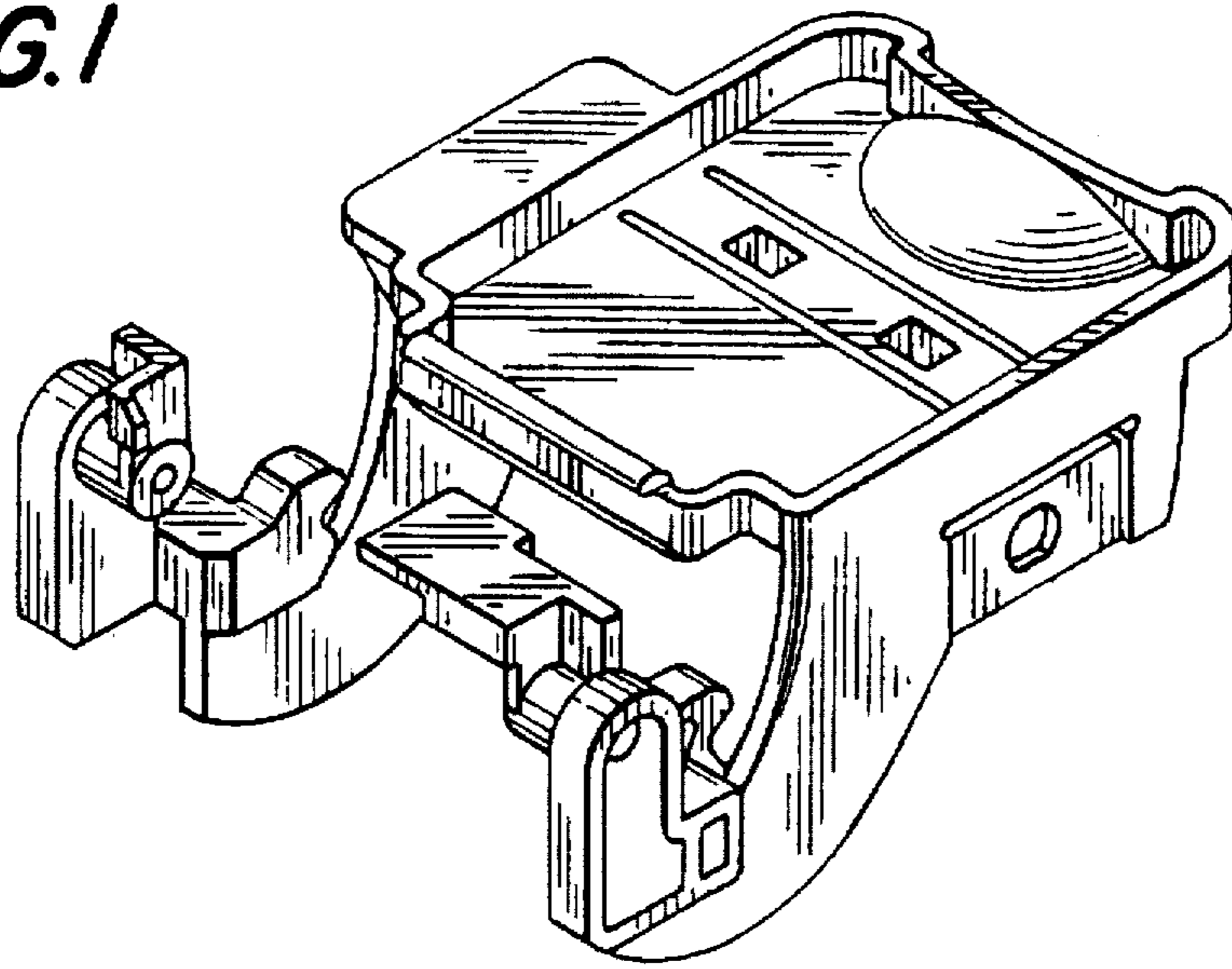


FIG. 2

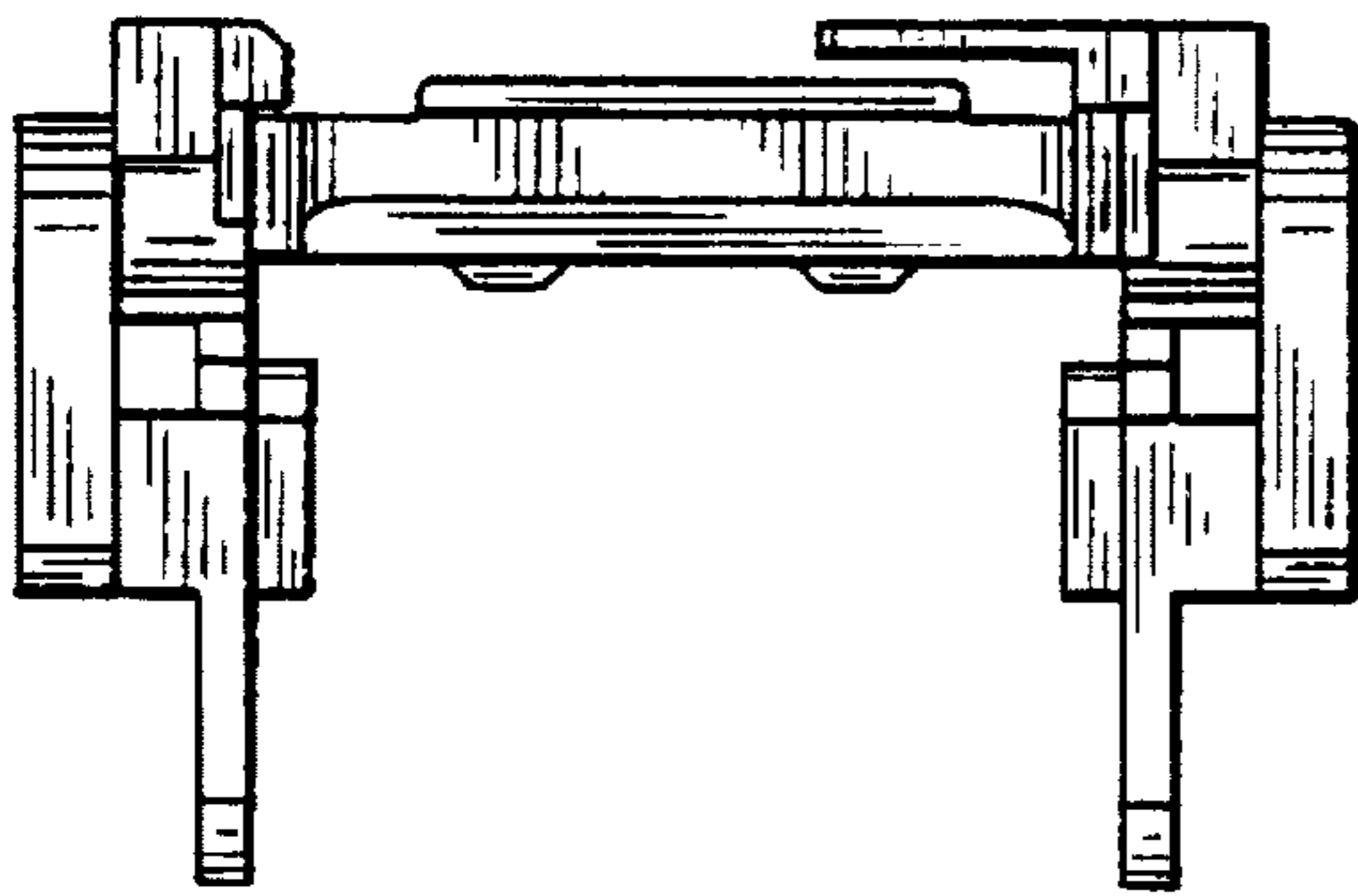


FIG. 3

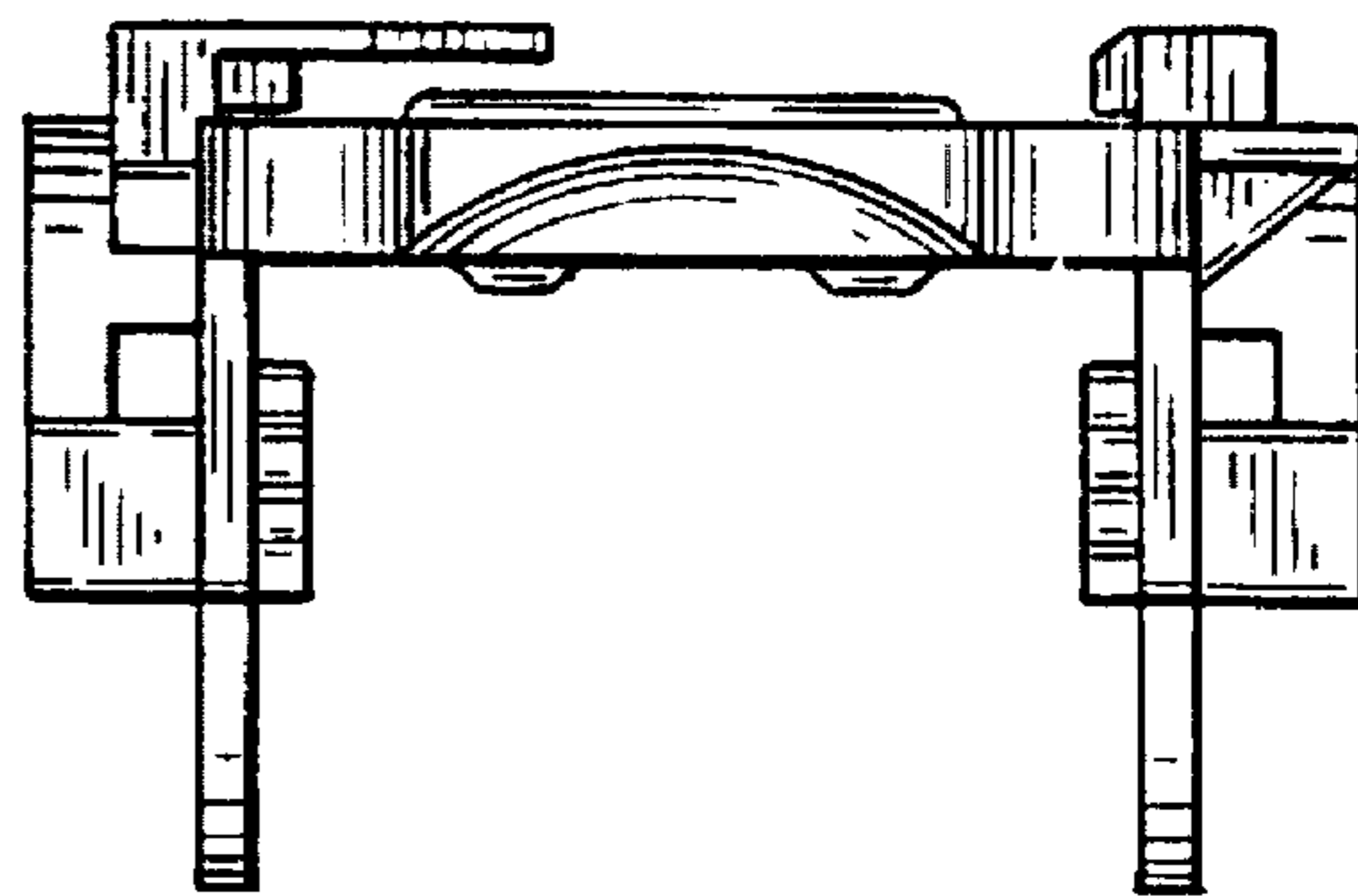


FIG. 4

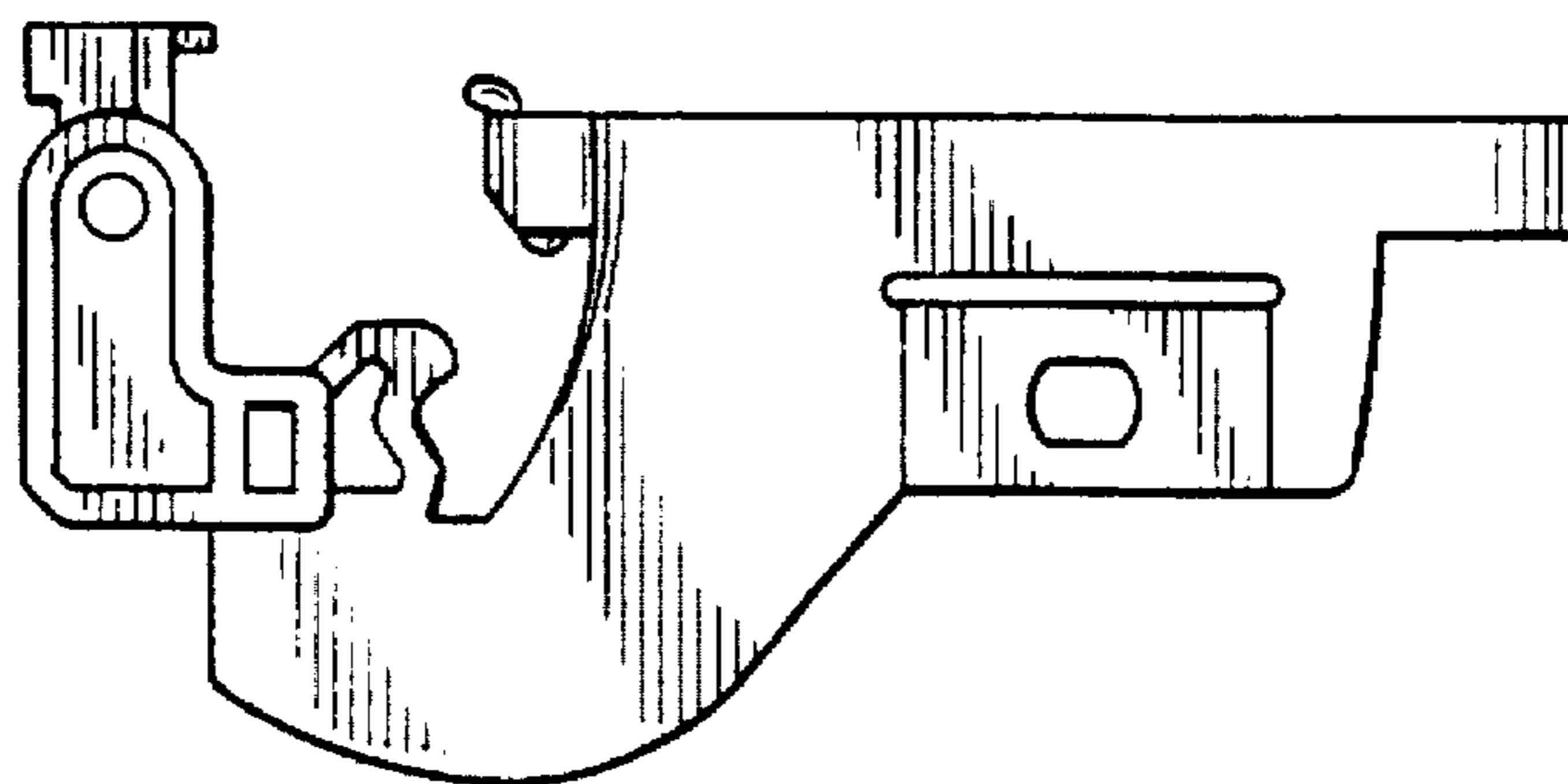


FIG. 5

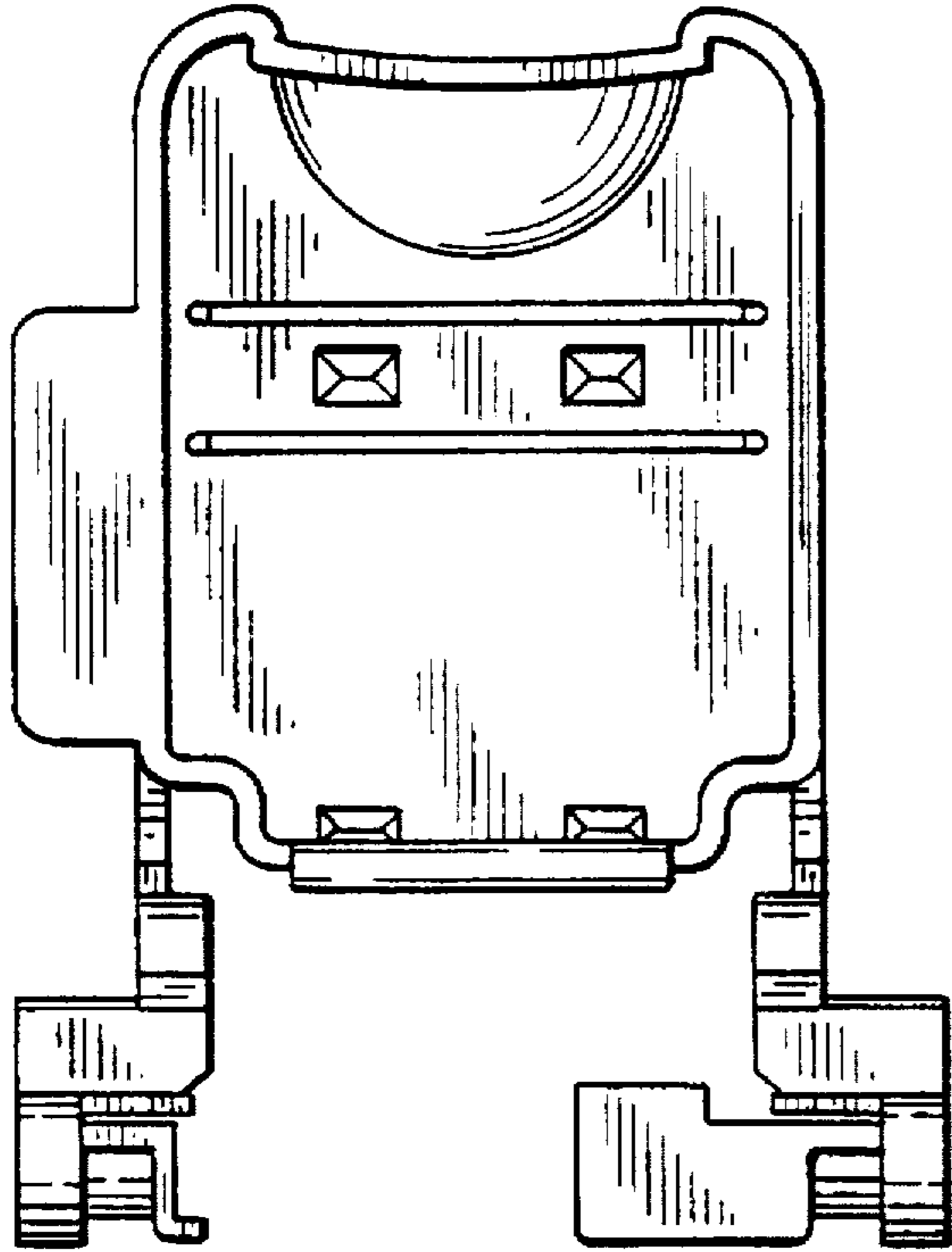


FIG. 6

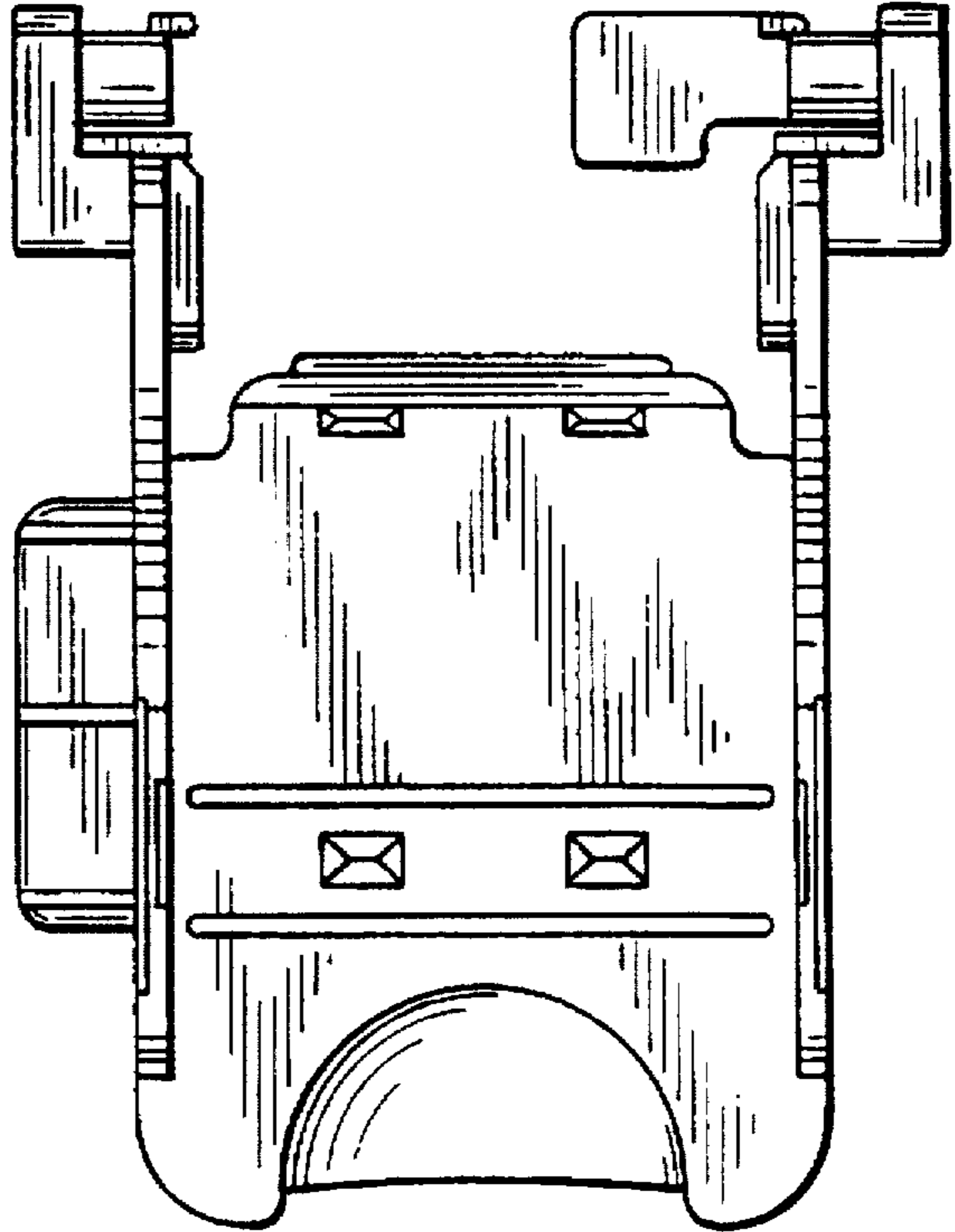


FIG. 7

