



US00D390253S

United States Patent [19]

[11] Patent Number: **Des. 390,253**

Bacco

[45] Date of Patent: ****Feb. 3, 1998**

[54] **DRUM PEDAL ACTUATOR MECHANISM AND PEDAL COMBINATION**

Primary Examiner—Philip S. Hyder
Assistant Examiner—Adir Aronovich
Attorney, Agent, or Firm—Waddey & Patterson; I. C. Waddey, Jr.

[75] Inventor: **Samuel D. Bacco**, Nashville, Tenn.

[73] Assignee: **Gibson Guitar Corp.**, Nashville, Tenn.

[57] **CLAIM**

[**] Term: **14 Years**

The ornamental design for a drum pedal actuator mechanism and pedal combination, as shown and described.

[21] Appl. No.: **56,926**

DESCRIPTION

[22] Filed: **Jul. 11, 1996**

[51] LOC (6) Cl. **17-04**

[52] U.S. Cl. **D17/22; 84/422.1**

[58] Field of Search **D17/22, 99; 84/411 R, 84/421, 422.1, 422.2**

FIG. 1 is a perspective view from the top rear of the drum pedal actuator mechanism and pedal combination of the present invention;

FIG. 2 is a bottom view of the drum pedal actuator mechanism and pedal combination;

FIG. 3 is a front view of the drum pedal actuator mechanism and pedal combination;

FIG. 4 is a side view of the drum pedal actuator mechanism and pedal combination;

FIG. 5 is a back view of the drum pedal actuator mechanism and pedal combination; and,

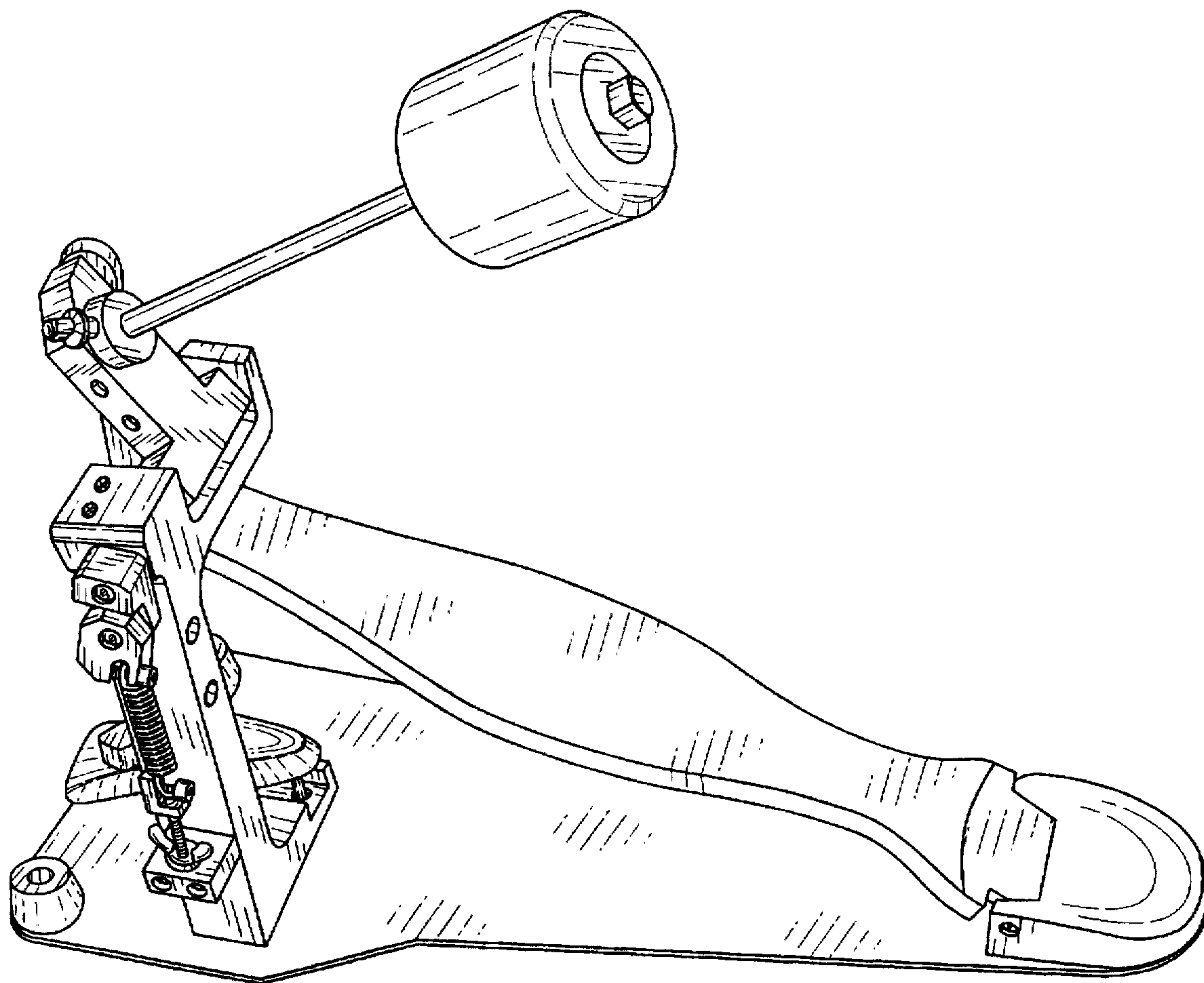
FIG. 6 is a second side view opposite the side view of FIG. 4 drum pedal actuator mechanism and pedal combination.

[56] **References Cited**

U.S. PATENT DOCUMENTS

D. 338,483	8/1993	Kurosaki	D17/22
4,567,808	2/1986	Smith	84/422.1
5,557,054	9/1996	Shigenaga	84/422.1
5,574,237	11/1996	Yanagisawa	84/422.1

1 Claim, 3 Drawing Sheets



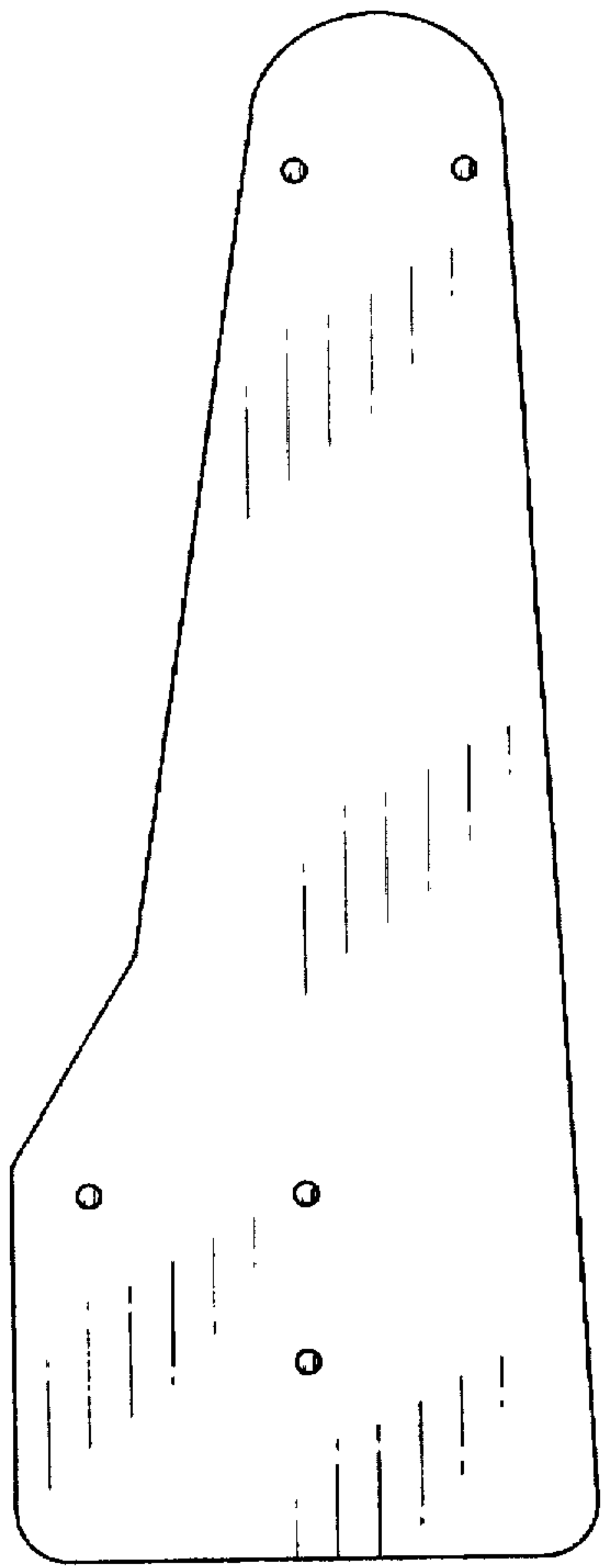


FIG. 2

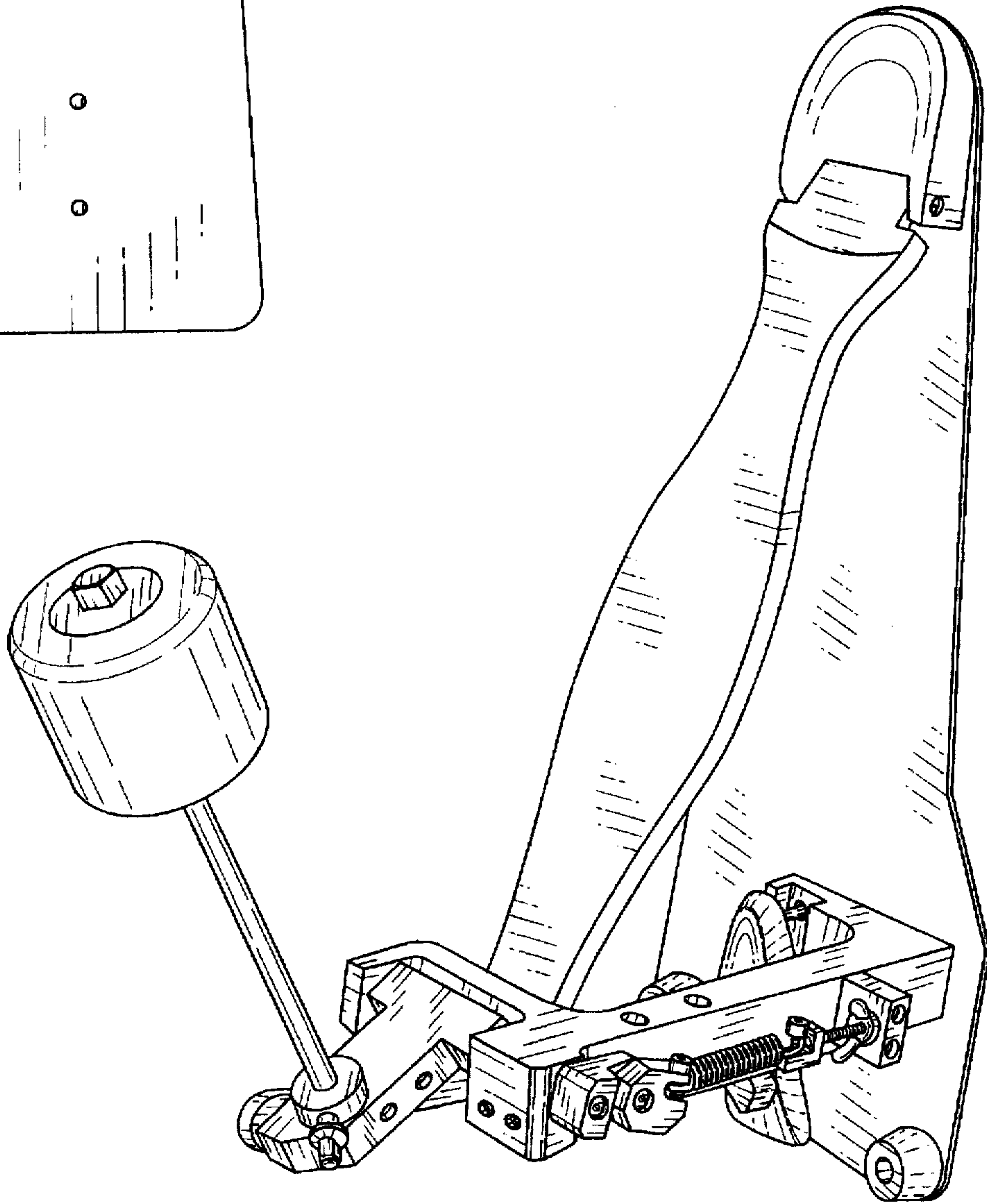


FIG. 1

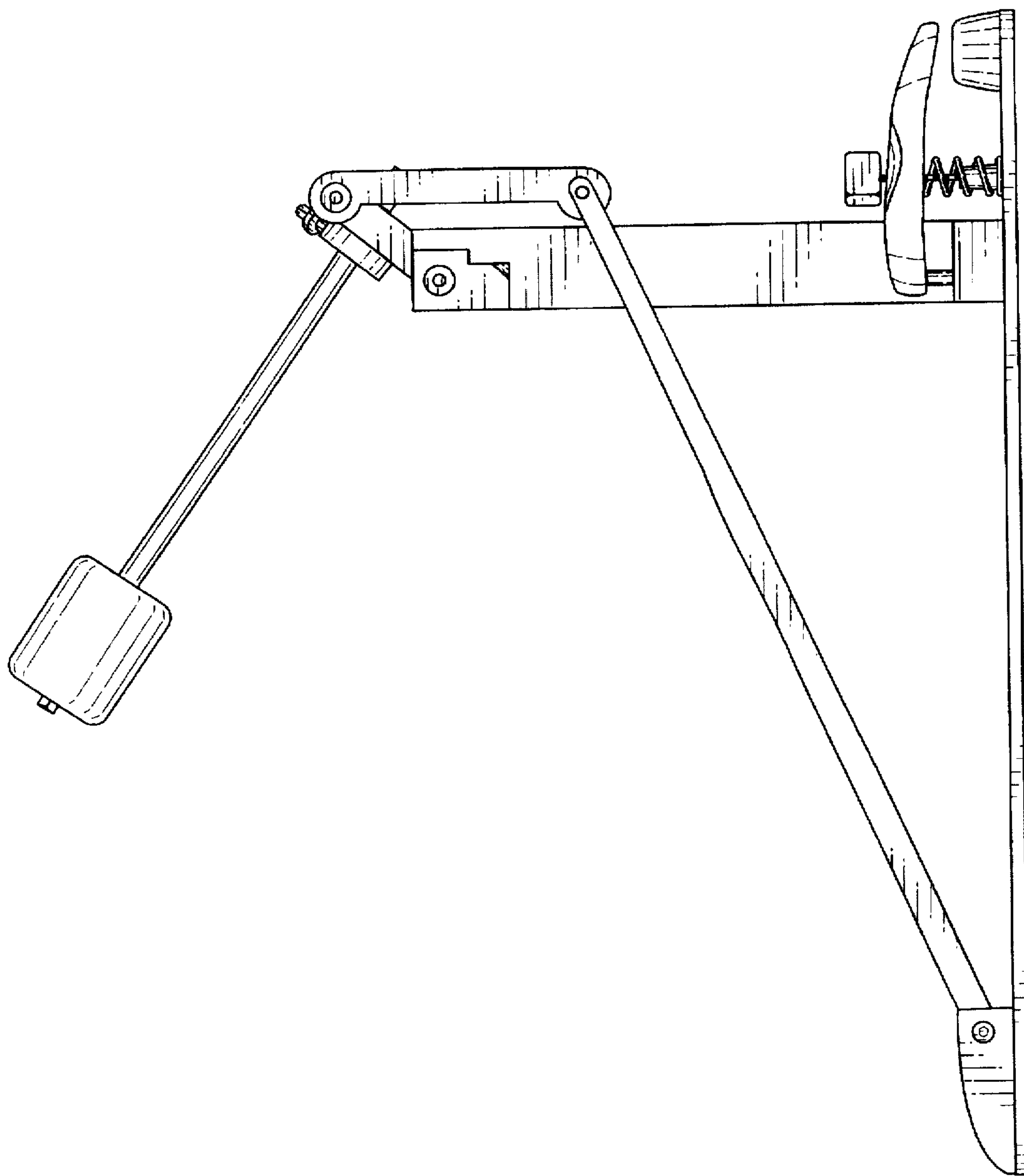


FIG. 4

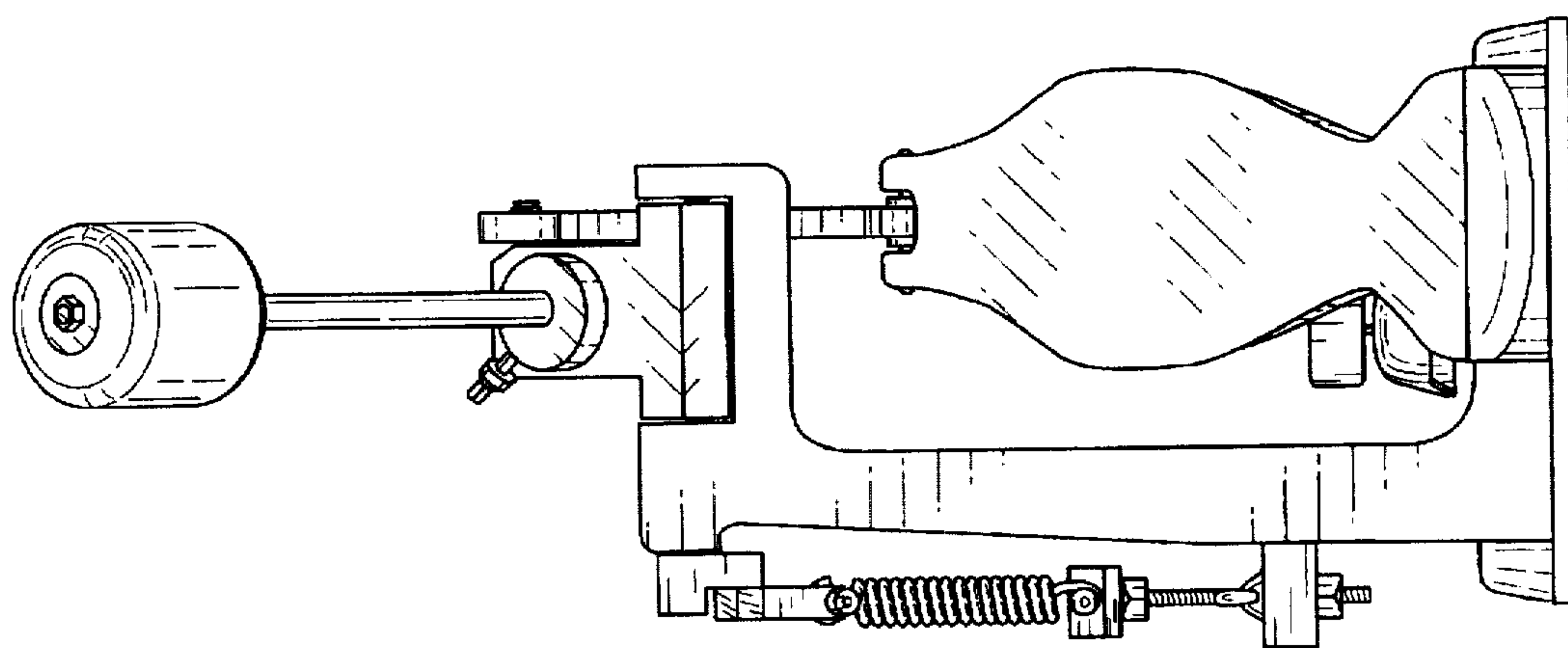


FIG. 3

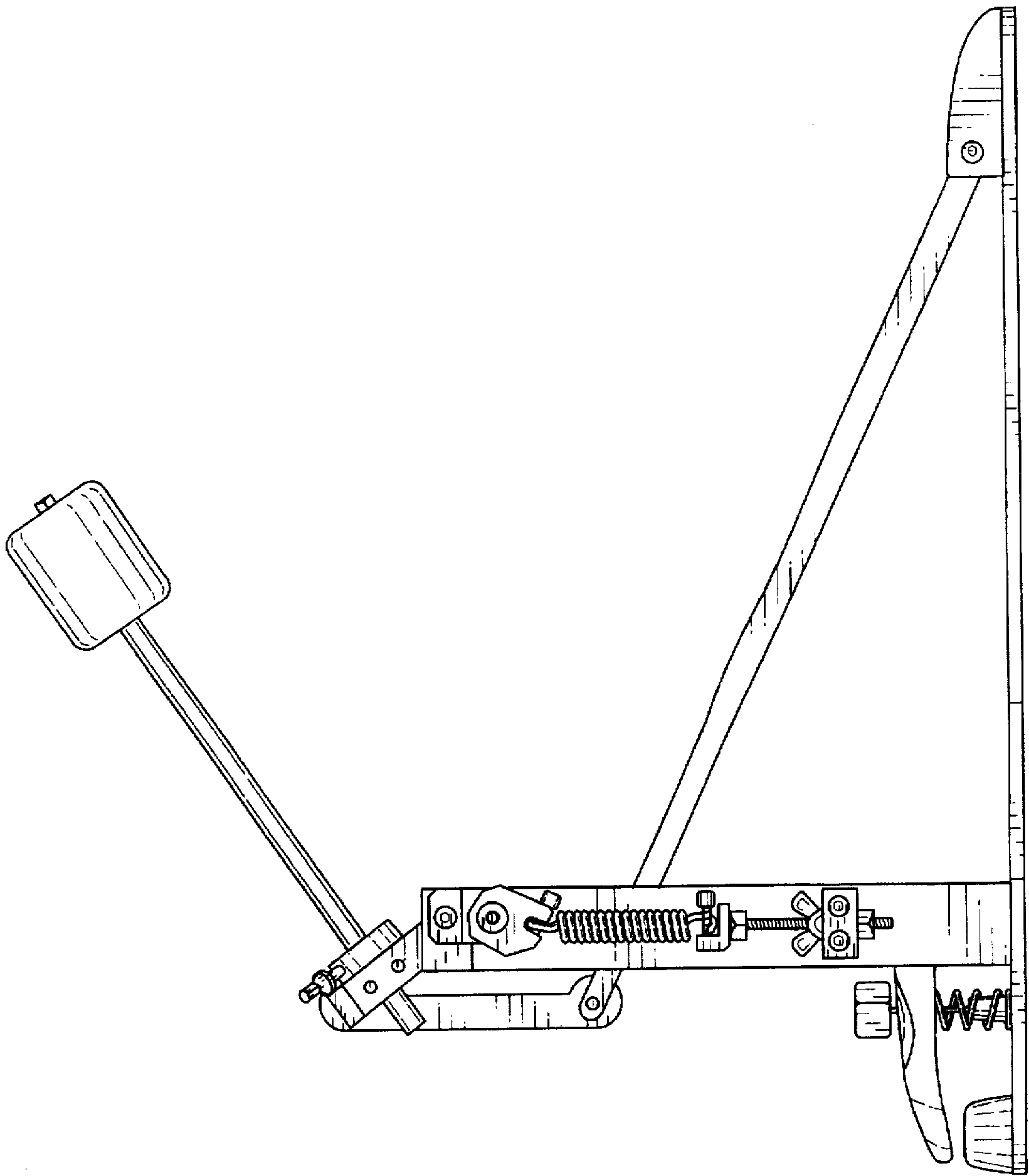


FIG. 5

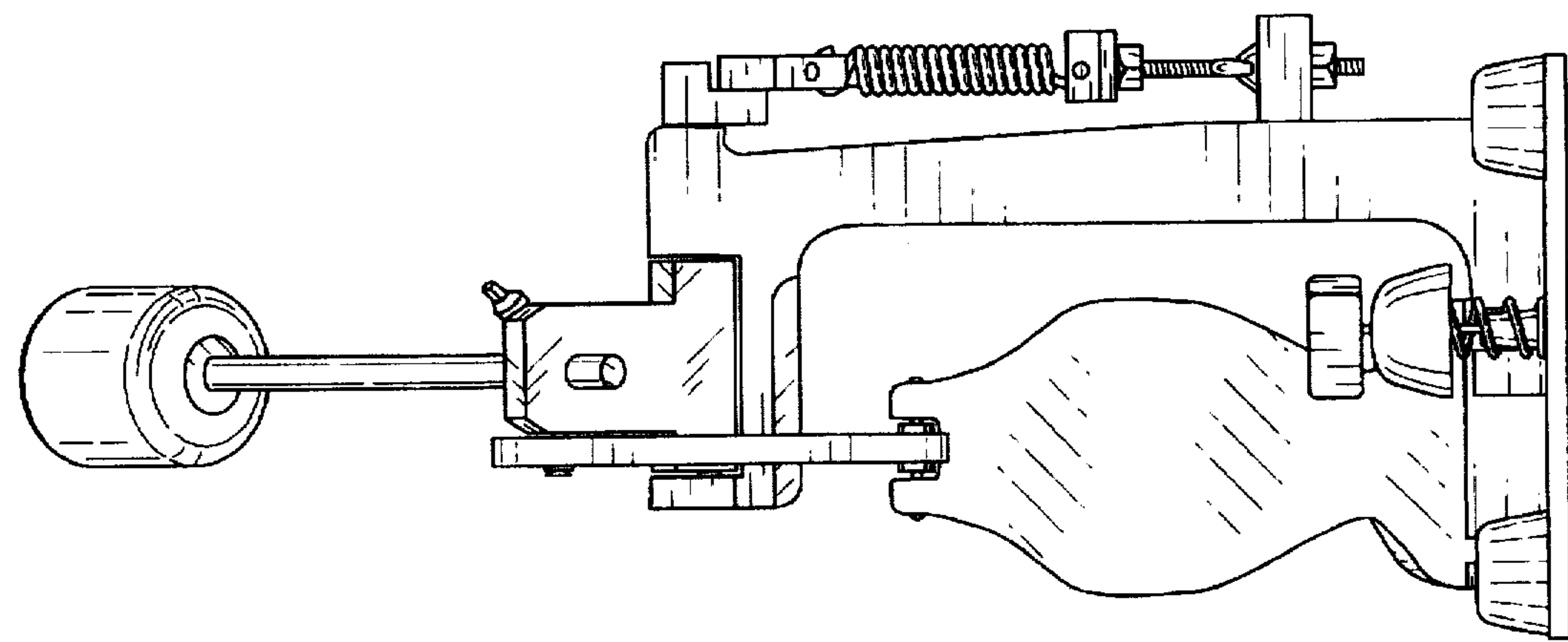


FIG. 6