

US00D390252S

United States Patent [19]

Burward-Hoy et al.

[11] Patent Number: **Des. 390,252**

[45] Date of Patent: ****Feb. 3, 1998**

[54] **ADJUSTABLE VIOLIN AND VIOLA CHINREST**

[76] Inventors: **Kenneth Lionel Burward-Hoy**, 76 East Ave., New Canaan, Conn. 06840;
Graeme Burward-Hoy, 3703 S. Court, Palo Alto, Calif. 94302

3,631,754 1/1972 Kun 84/280
 3,979,993 9/1976 Proctor 84/327
 4,453,444 6/1984 Valentino 84/385 P
 4,534,259 8/1985 Wolf 84/279
 4,719,835 1/1988 Biasini et al. 84/279

[**] Term: **14 Years**

Primary Examiner—Philip S. Hyder
Assistant Examiner—Adir Aronovich
Attorney, Agent, or Firm—Michaelson & Wallace

[21] Appl. No.: **60,263**

[57] CLAIM

[22] Filed: **Sep. 25, 1996**

The ornamental design for a adjustable violin and viola chinrest, as shown and described.

[51] LOC (6) Cl. **17-03**

DESCRIPTION

[52] U.S. Cl. **D17/20; 84/278**

[58] Field of Search **D17/20, 99; 84/278-280**

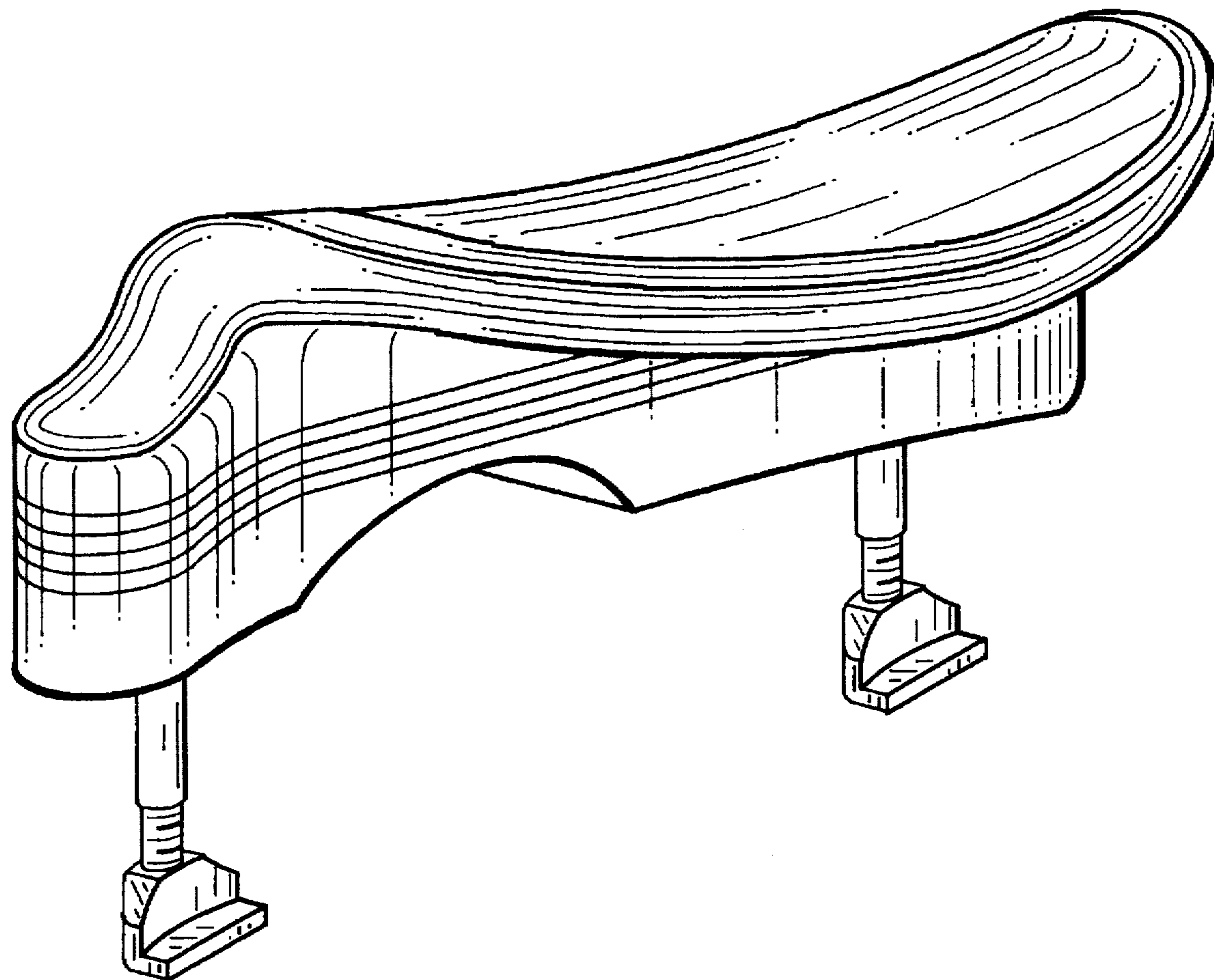
FIG. 1 is a front perspective view of the claimed invention;
 FIG. 2 is a back view of the claimed invention;
 FIG. 3 is a top view of the claimed invention;
 FIG. 4 is a bottom view of the claimed invention;
 FIG. 5 is a first side view of the claimed invention;
 FIG. 6 is a second side view of the claimed invention; and,
 FIG. 7 is a front view of the claimed invention.
 The broken lines shown in FIGS. 2-7 are for illustrative purposes only and form no part of the claimed invention.

[56] References Cited

U.S. PATENT DOCUMENTS

D. 46,490	10/1914	Becker	D17/20
D. 254,012	1/1980	Lenski	D17/20
904,258	11/1908	Henrikson et al.	84/278
1,023,234	4/1912	Williams	84/279
1,387,216	8/1921	Wallace	84/278
1,435,280	11/1922	Colbentson	84/279
3,247,749	4/1966	Gullotta	84/385 R

1 Claim, 3 Drawing Sheets



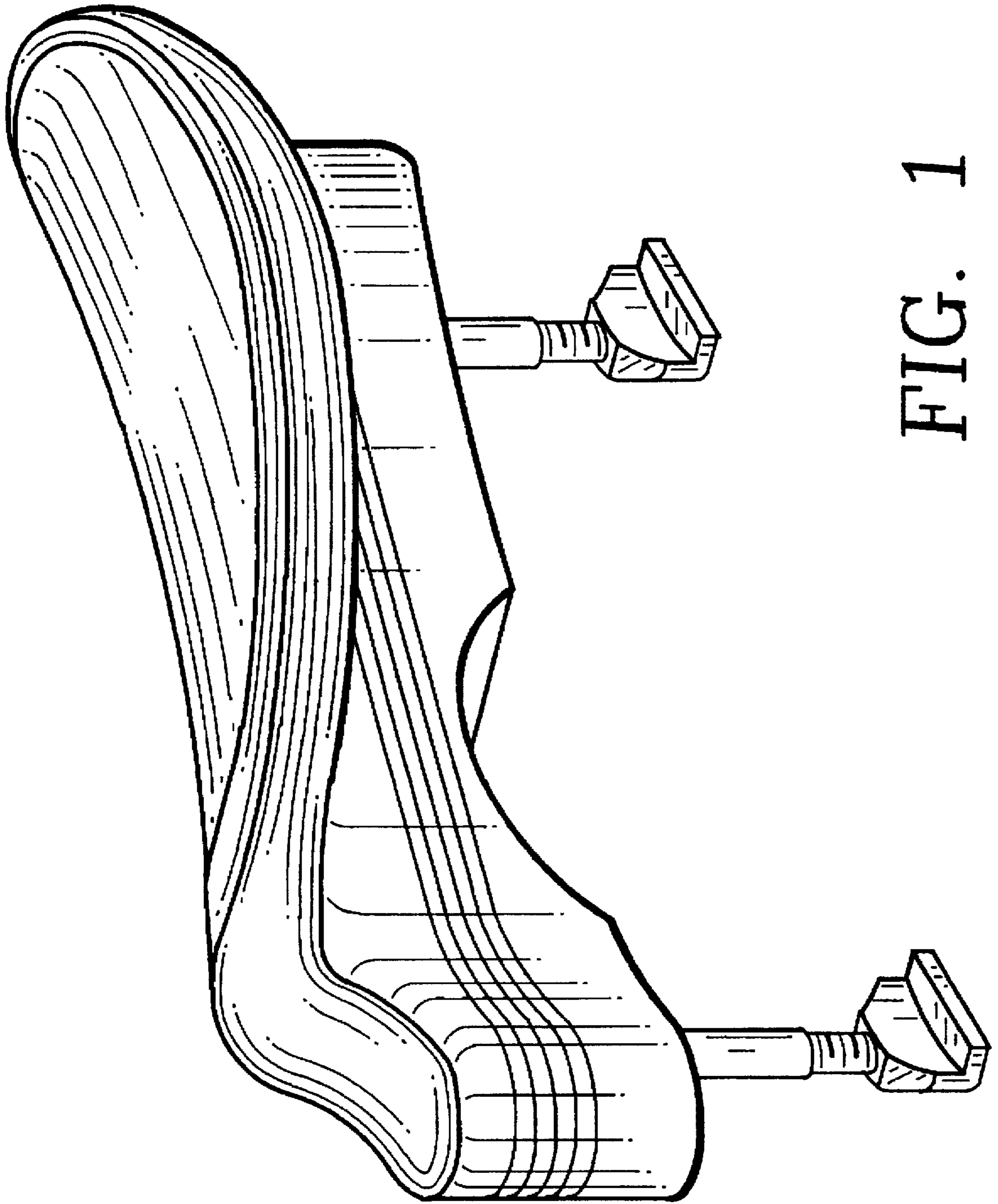


FIG. 1

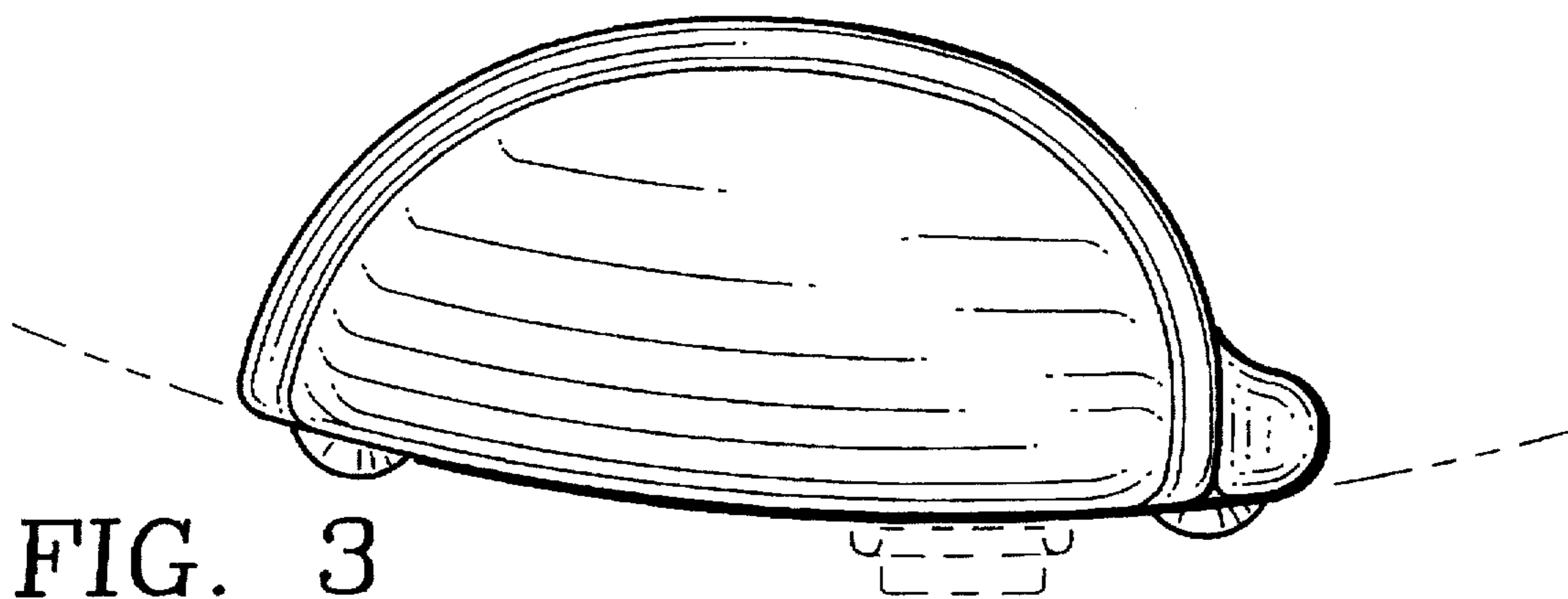


FIG. 3

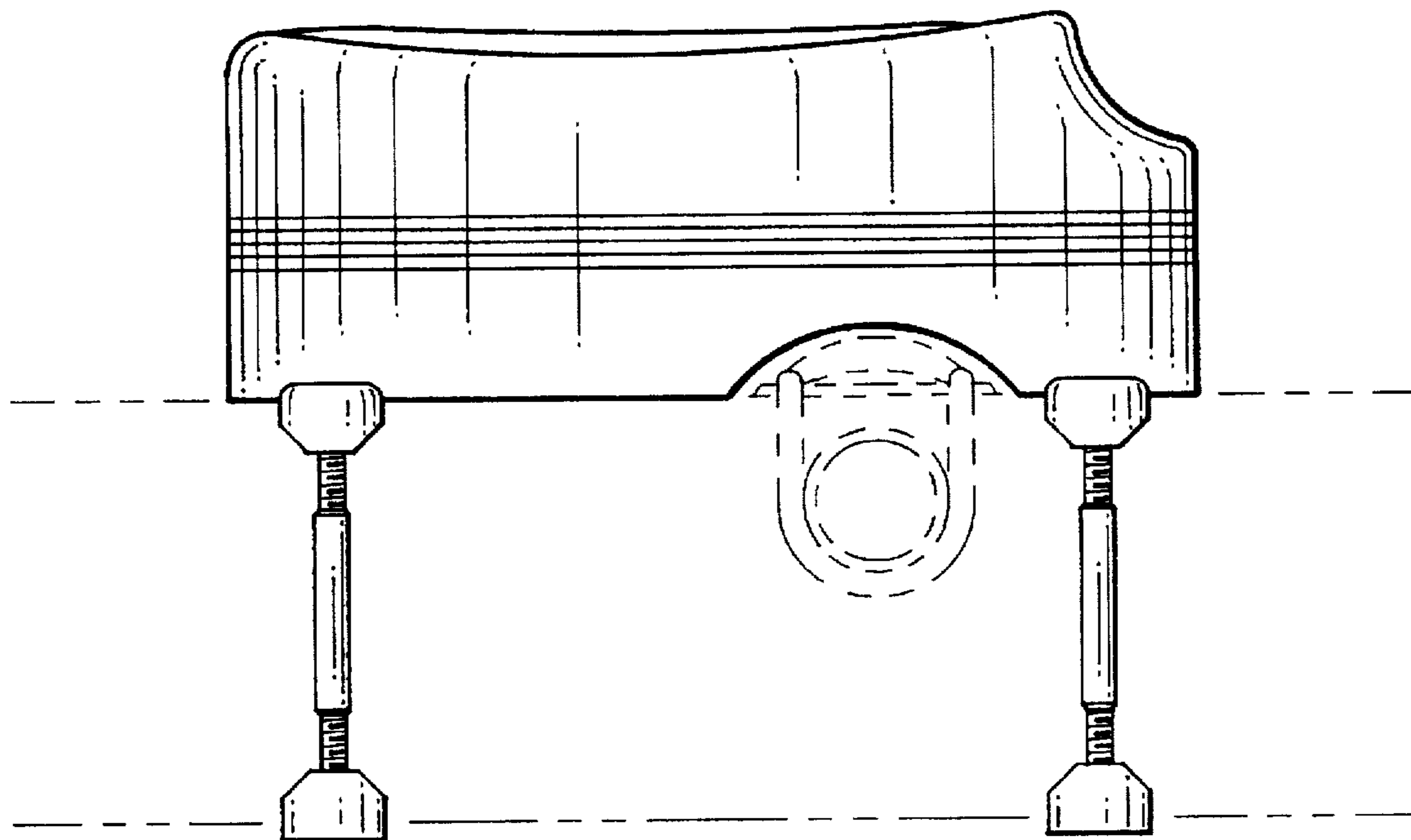


FIG. 2

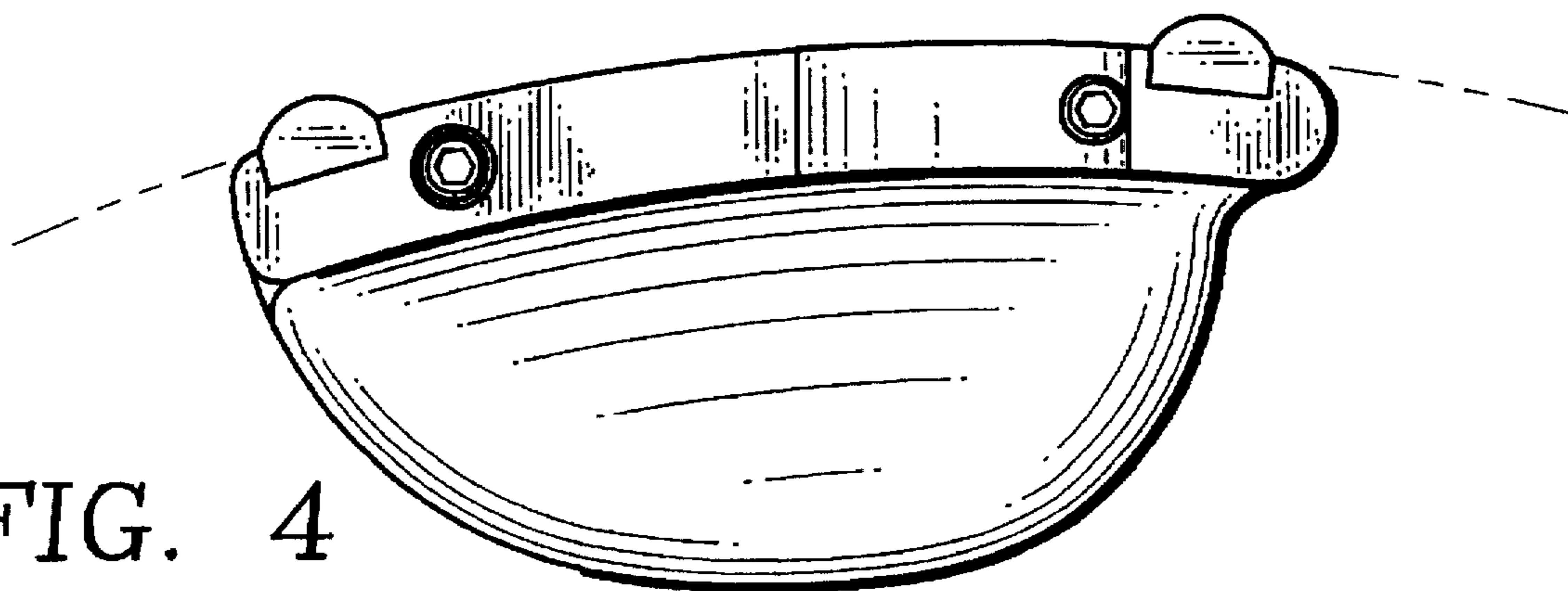


FIG. 4

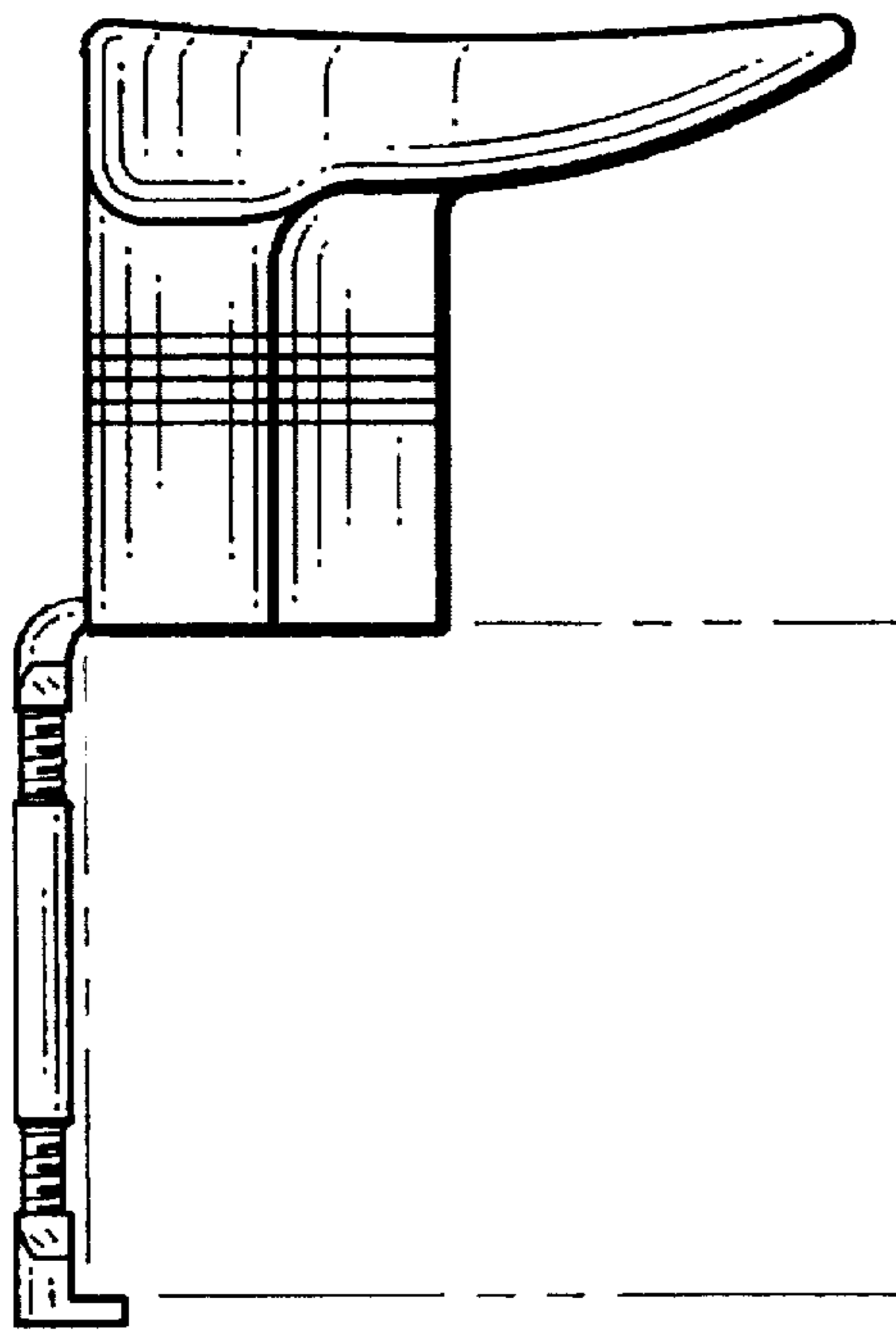


FIG. 5

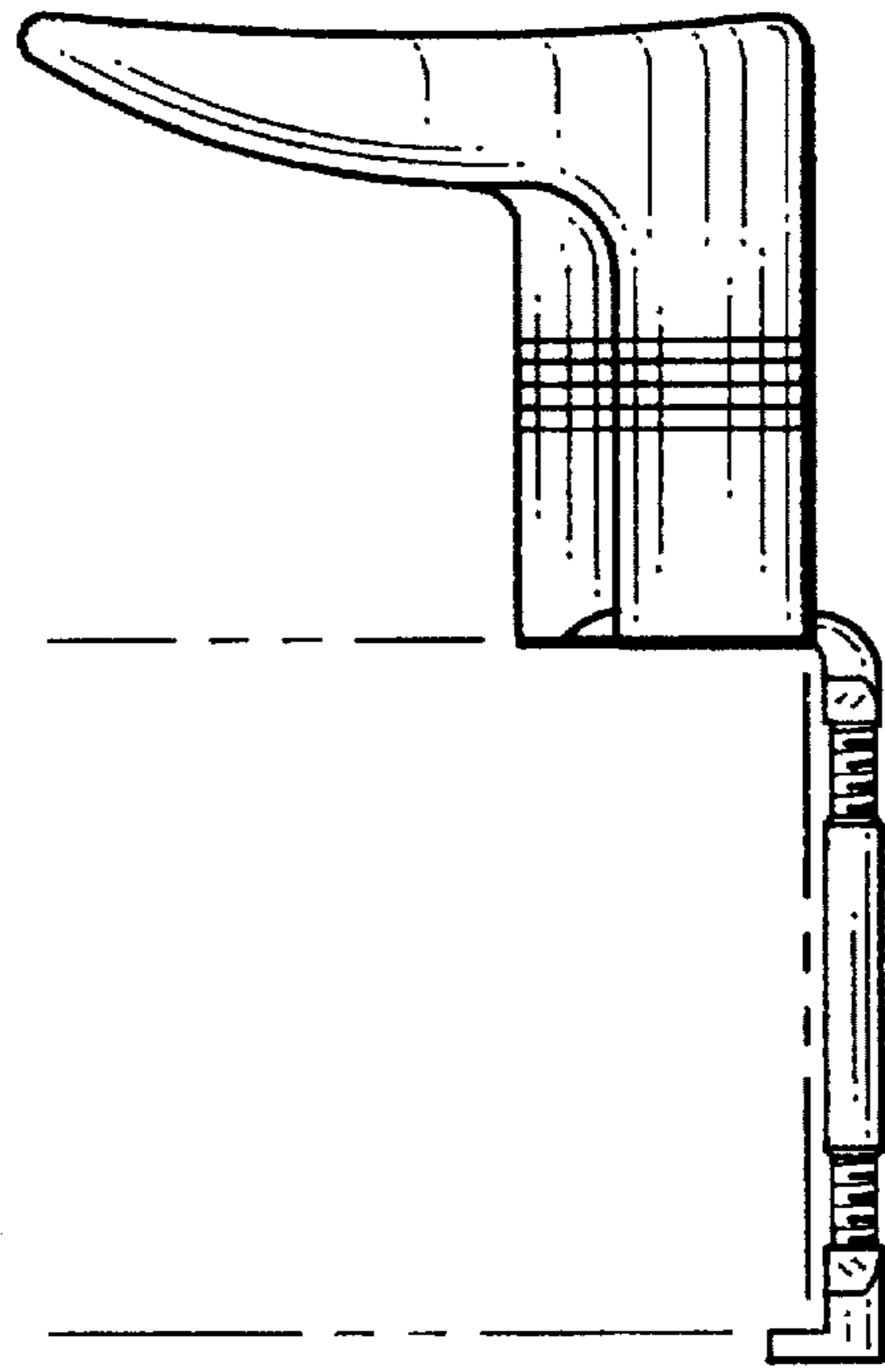


FIG. 6

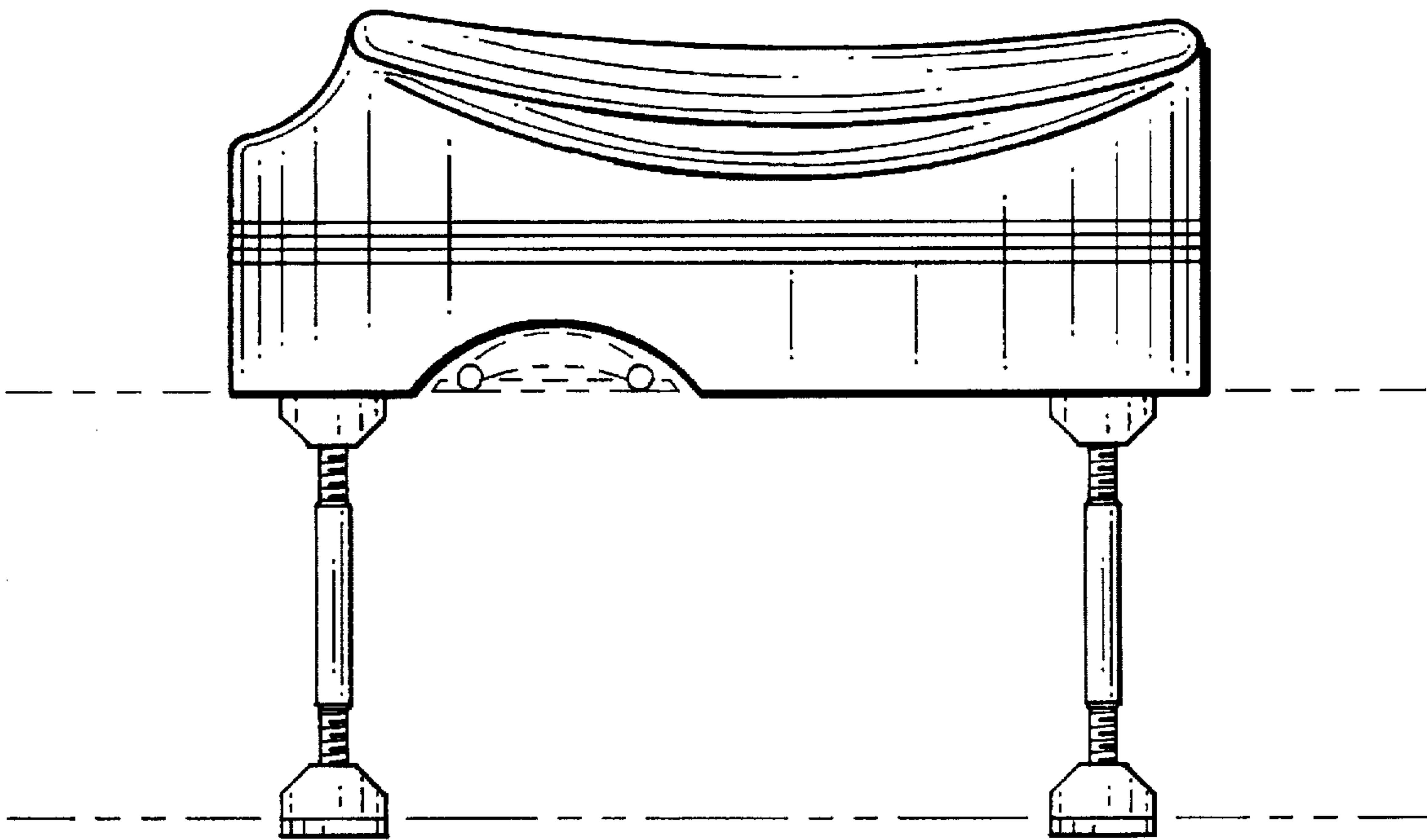


FIG. 7