



US00D390249S

United States Patent [19]

Smith

[11] Patent Number: **Des. 390,249**

[45] Date of Patent: ****Feb. 3, 1998**

[54] **WOODWIND REED LIGATURE WITH RAISED DIMPLES**

4,941,385	7/1990	Johnson	84/383 R
5,398,582	3/1995	Smith	84/383 R
5,419,229	5/1995	Van Deren	84/383 R
5,440,962	8/1995	Valtchev	84/383 R

[76] Inventor: **Jonathan Clayton Smith**, 4046 N. Main Apt. A6, Racine, Wis. 53402

[**] Term: **14 Years**

Primary Examiner—Philip S. Hyder
Assistant Examiner—Adir Aronovich
Attorney, Agent, or Firm—David L. Volk

[21] Appl. No.: **54,361**

[57] **CLAIM**

[22] Filed: **May 13, 1996**

The ornamental design for a woodwind reed ligature with raised dimples, as shown and described.

[51] LOC (6) Cl. **17-02**

[52] U.S. Cl. **D17/13; 84/383 R**

[58] Field of Search **D17/10, 13, 20, D17/99; 84/383 R, 453**

DESCRIPTION

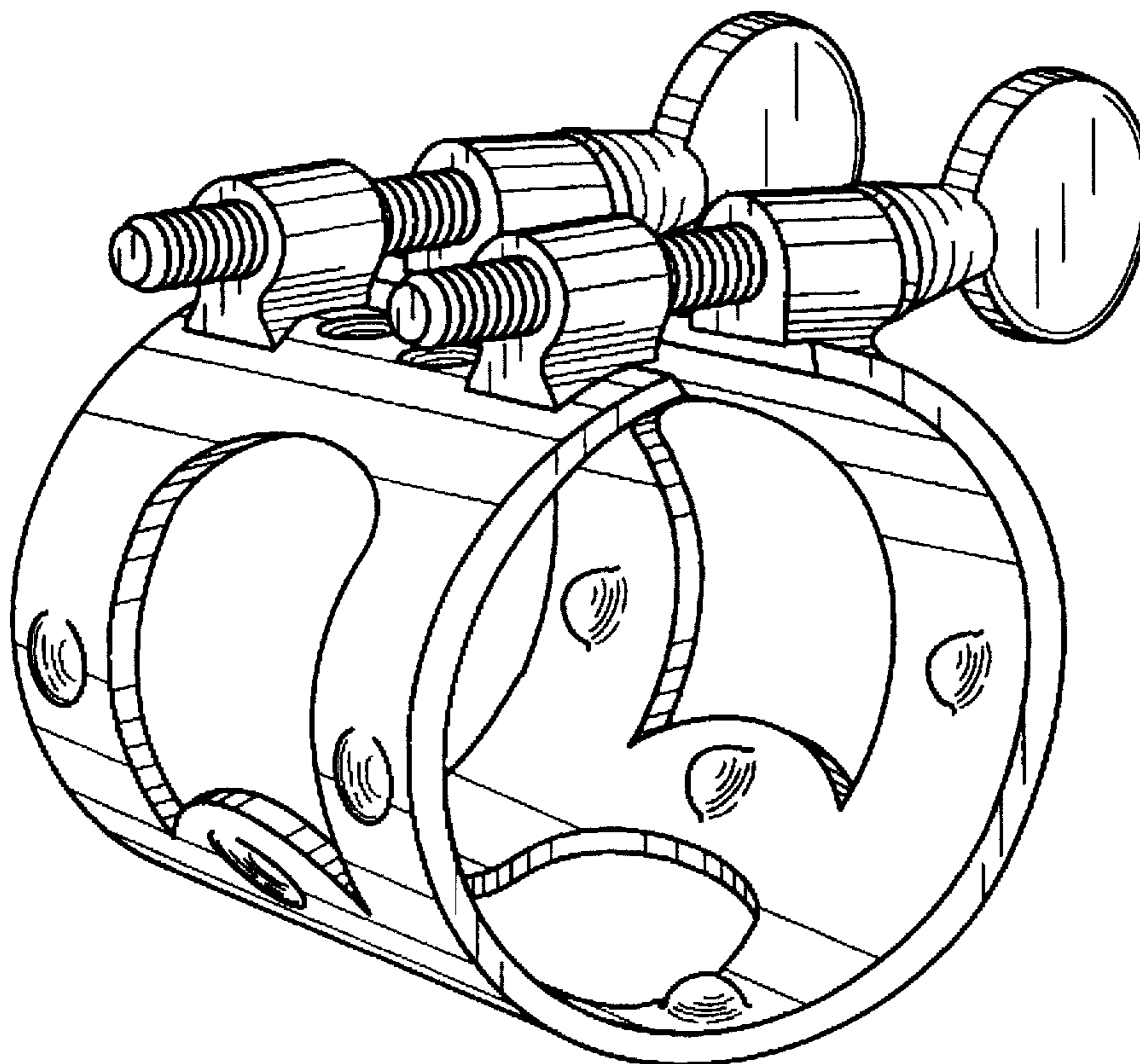
FIG. 1 is a perspective view of a woodwind reed ligature with raised dimples showing my new design; FIG. 2 is a front elevational view thereof; FIG. 3 is a left side elevational view thereof; FIG. 4 is a right side elevational view thereof; FIG. 5 is a rear elevational view thereof; FIG. 6 is a top plan view thereof; and, FIG. 7 is a bottom plan view thereof.

[56] **References Cited**

U.S. PATENT DOCUMENTS

D. 277,967	3/1985	Gholson, Jr.	D17/13
D. 343,633	1/1994	Guandola et al.	D17/13
D. 367,074	2/1996	Gholson, Jr. et al.	D17/13
1,705,601	3/1929	Bailey	84/383 R
3,791,253	2/1974	Pascucci et al.	84/383

1 Claim, 2 Drawing Sheets



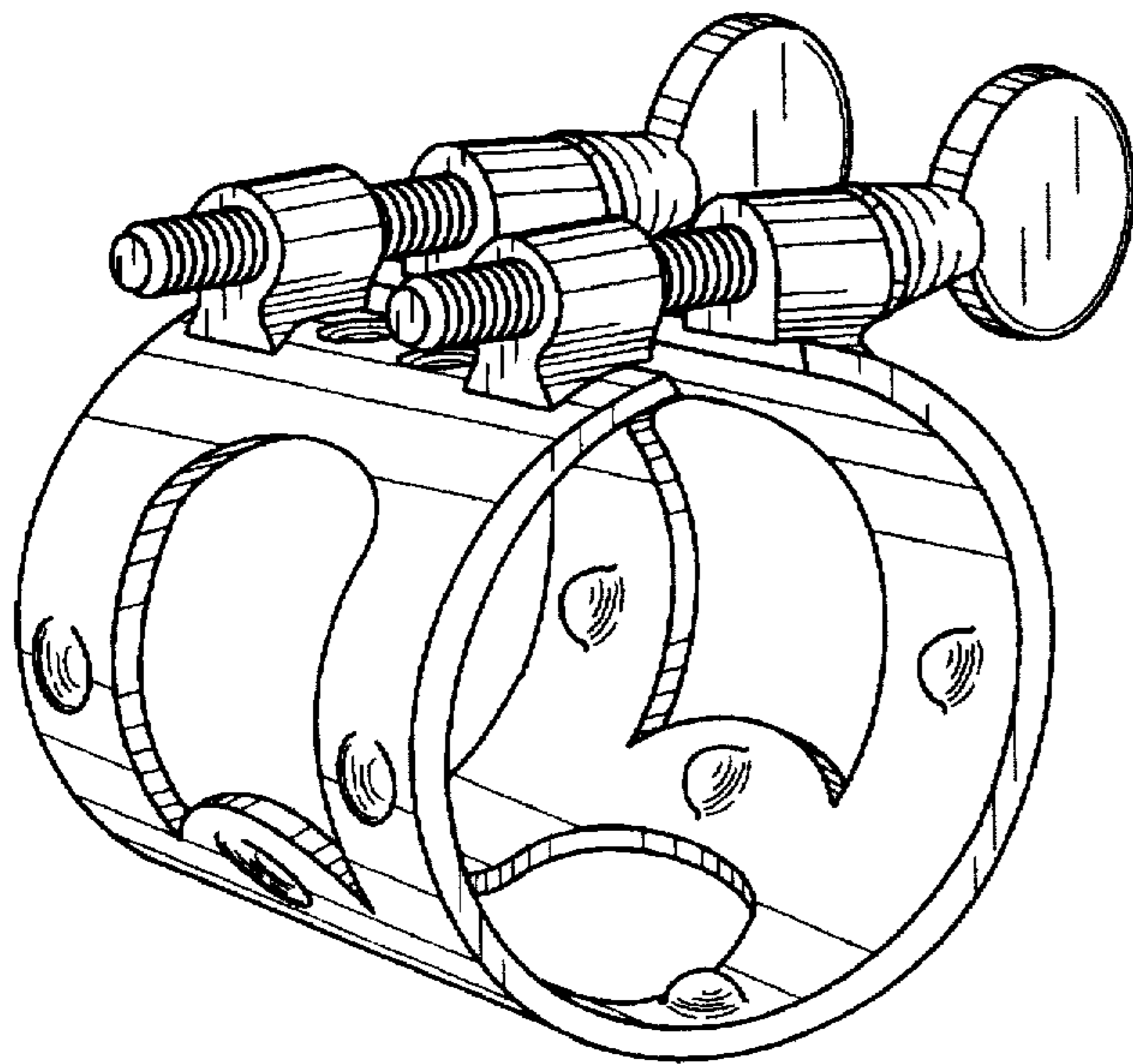


FIG. 1

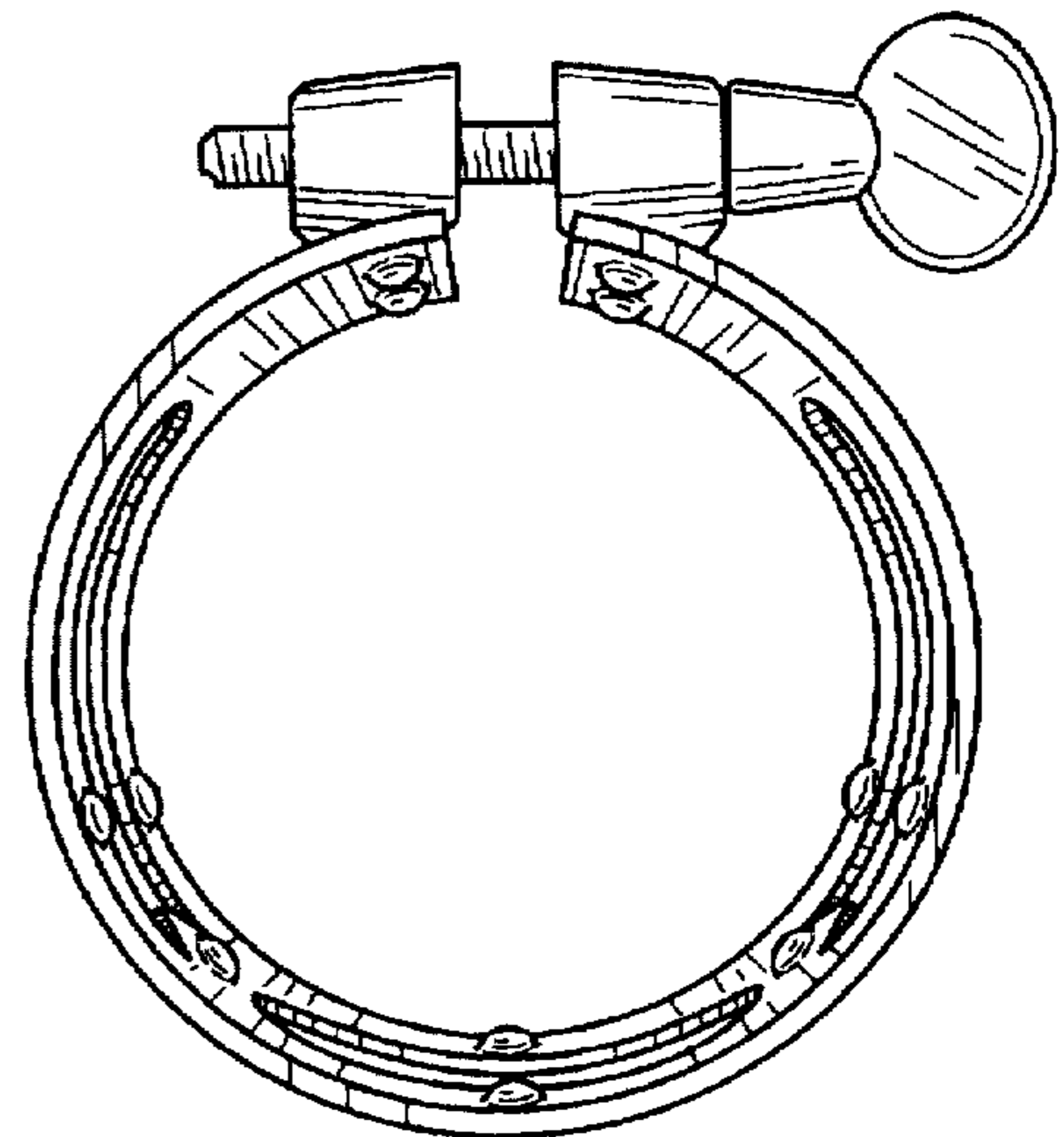


FIG. 2

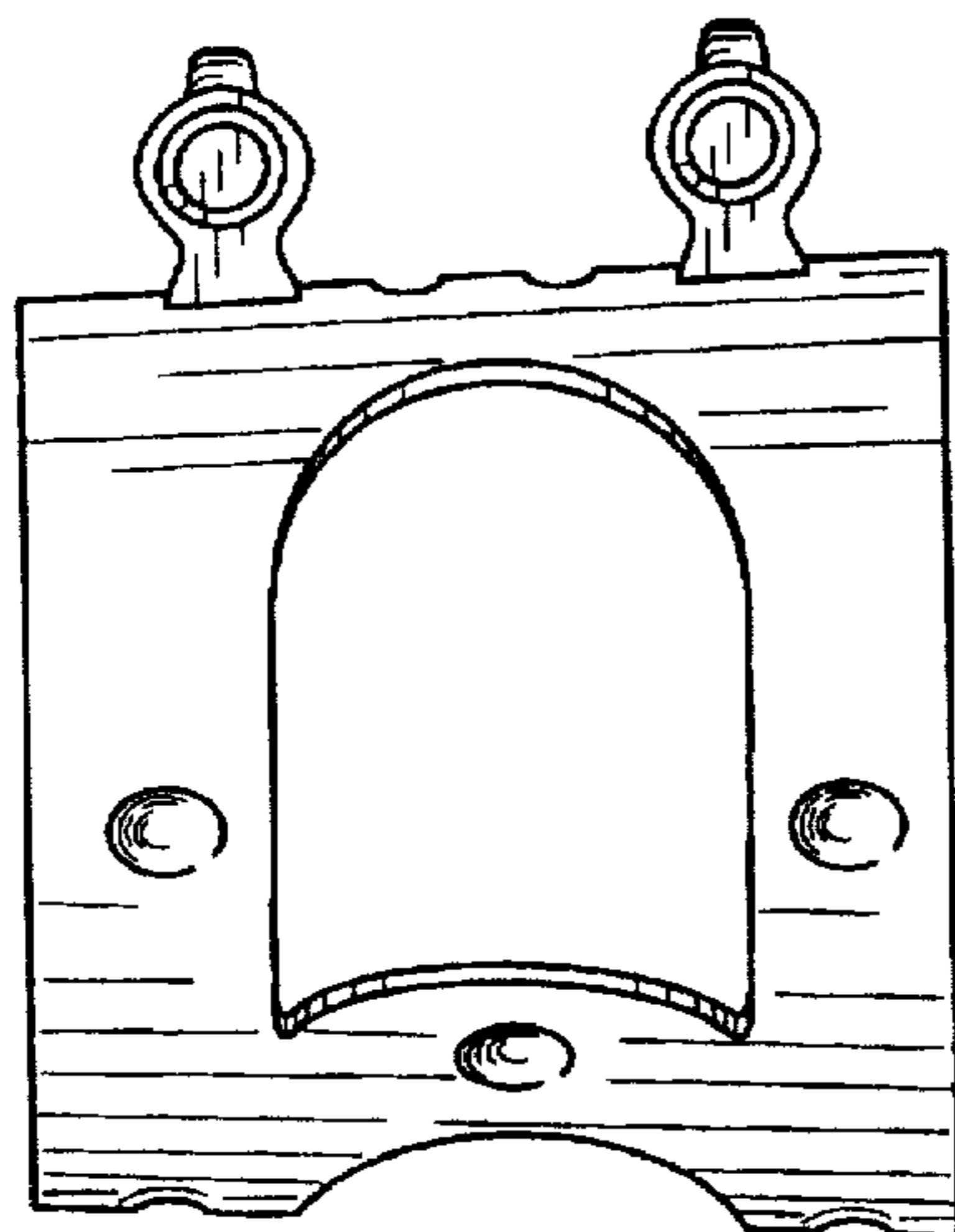


FIG. 3

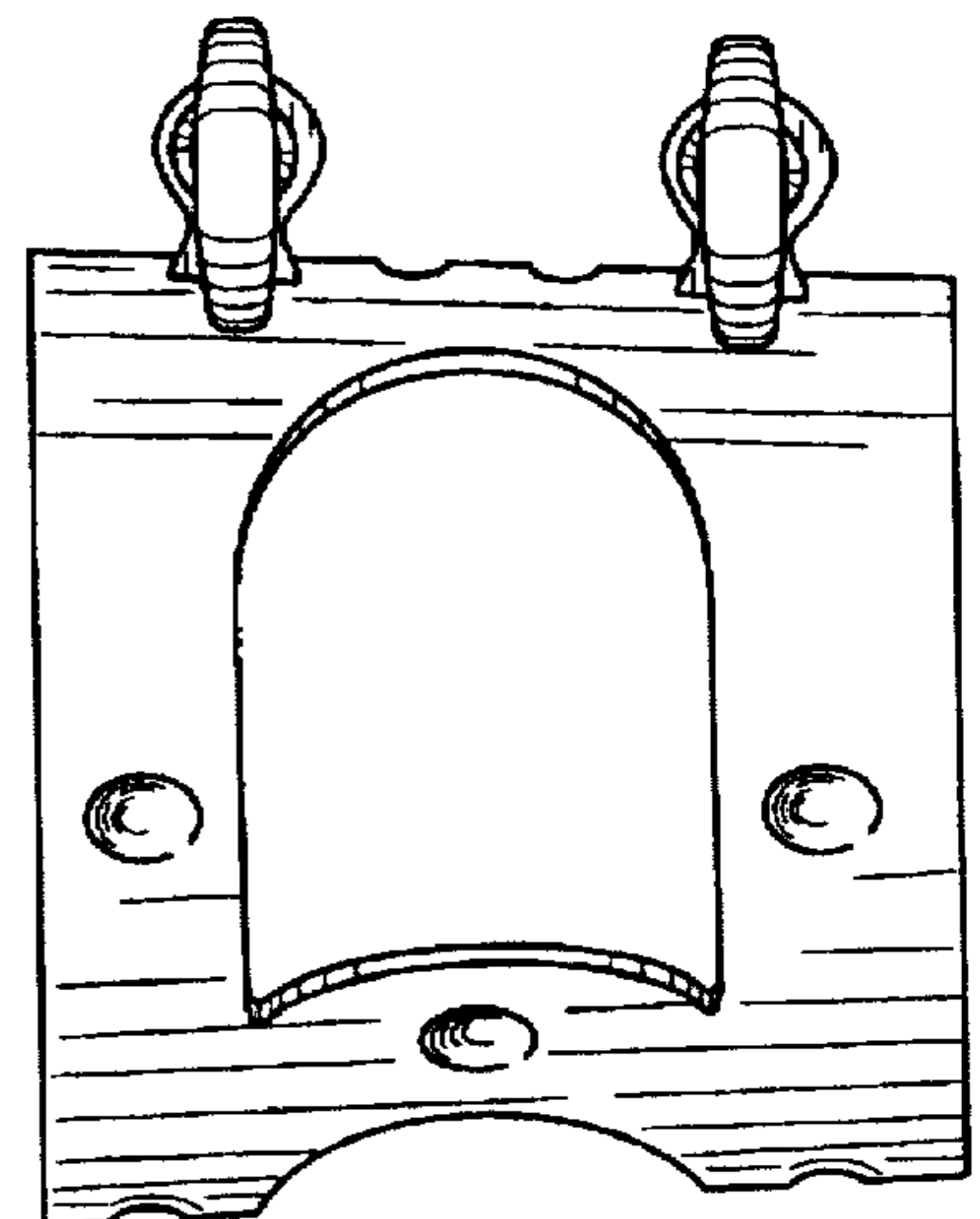


FIG. 4

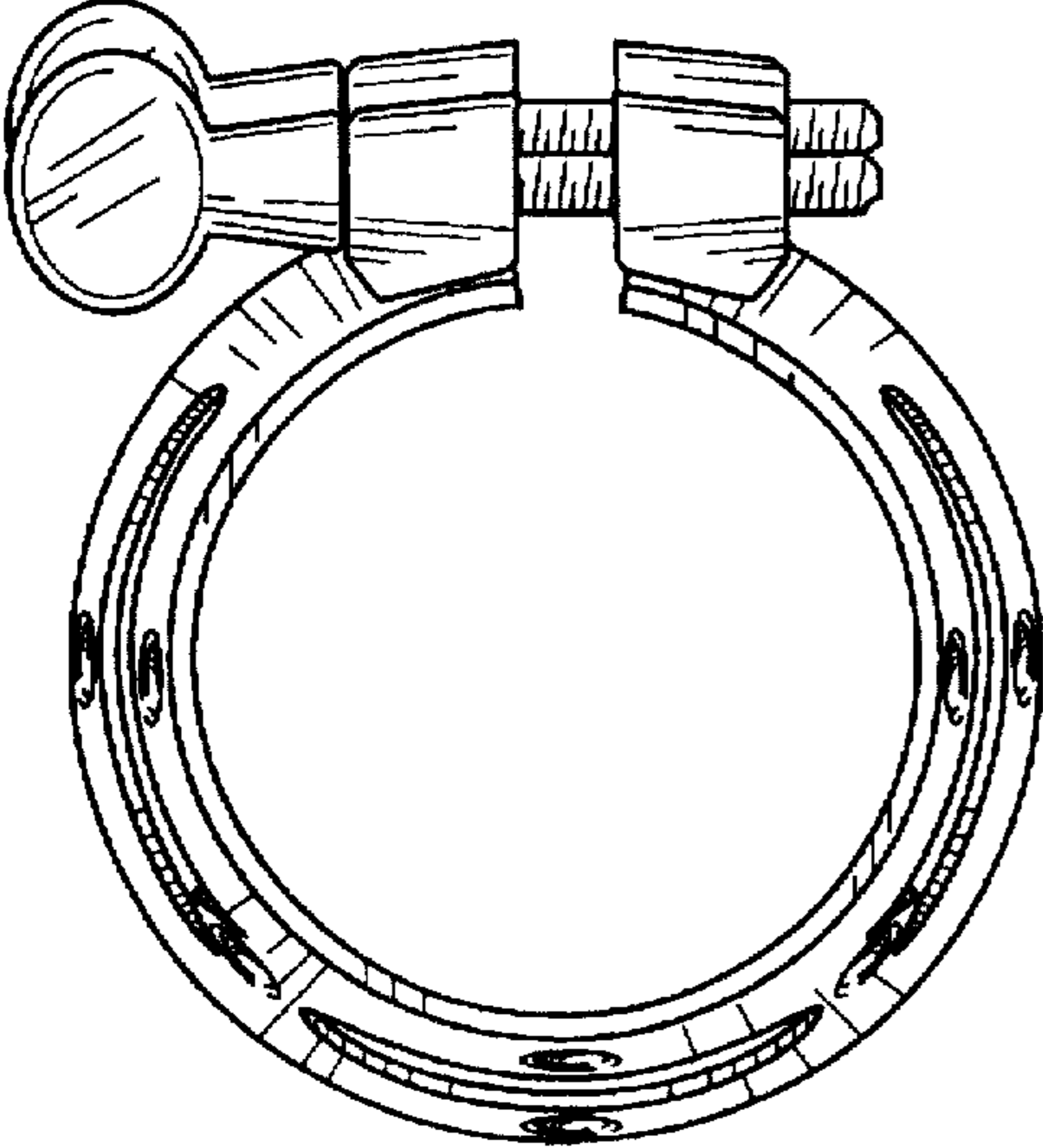


FIG. 5

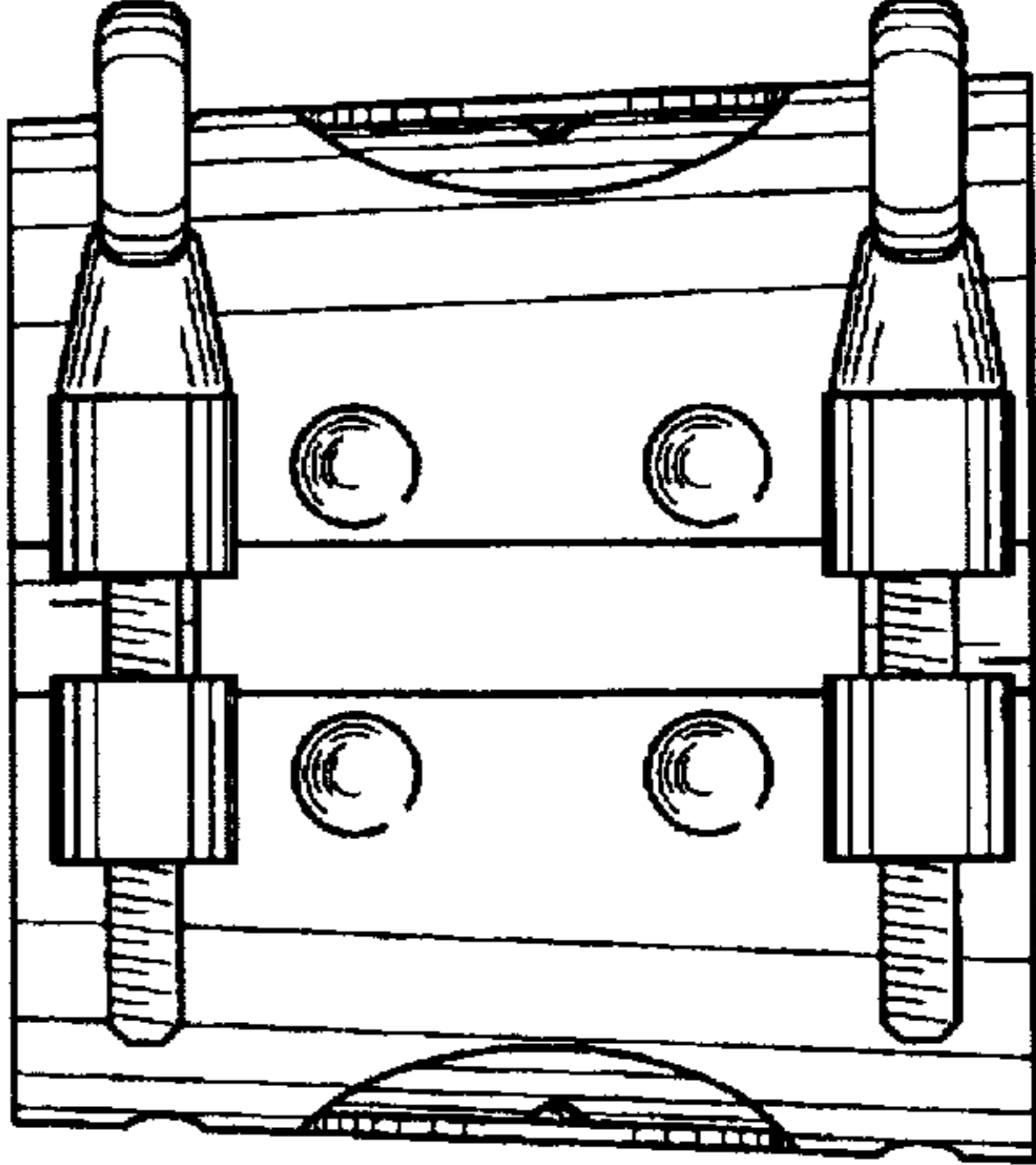


FIG. 6

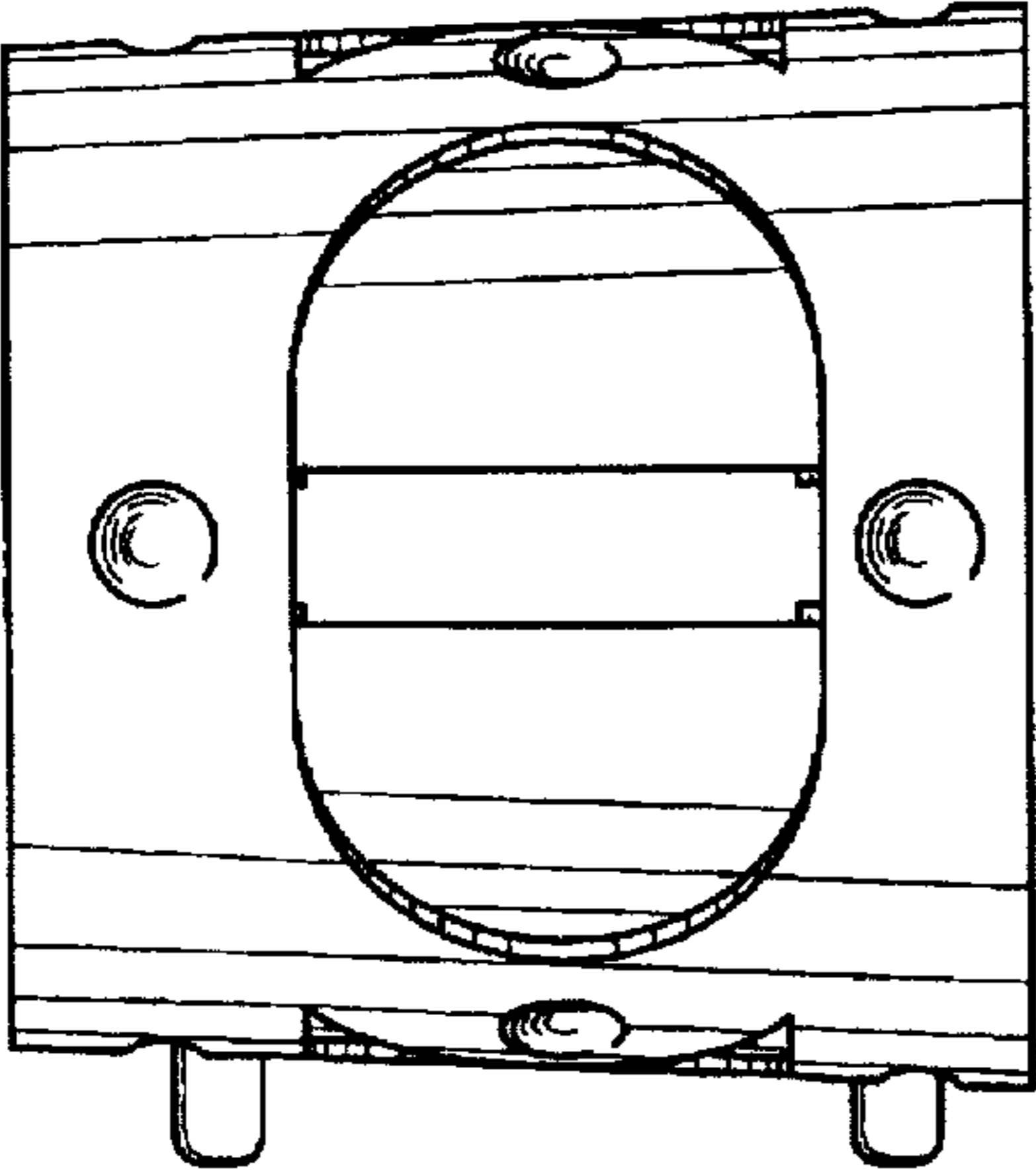


FIG. 7