



US00D390247S

United States Patent [19]

Shoji et al.

[11] Patent Number: **Des. 390,247**

[45] Date of Patent: ****Feb. 3, 1998**

[54] **PROJECTOR**

[75] Inventors: **Eisaku Shoji; Katsuyuki Takeuchi,**
both of Osaka; **Manabu Tominaga,**
Tokyo, all of Japan

[73] Assignee: **NEC Corporation,** Tokyo, Japan

[**] Term: **14 Years**

[21] Appl. No.: **57,881**

[22] Filed: **Aug. 2, 1996**

[30] **Foreign Application Priority Data**

Feb. 2, 1996 [JP] Japan 8-2536

[51] LOC (6) Cl. **16-02**

[52] U.S. Cl. **D16/230; D16/221; D16/225**

[58] Field of Search D16/200, 205,
D16/208, 221, 225, 229, 230, 231, 233,
234; 352/34, 242, 243; 353/115, 119, 122

[56] **References Cited**

U.S. PATENT DOCUMENTS

D. 184,949 4/1959 Mackay D16/221
D. 234,541 3/1975 Sobotta D16/233

D. 371,148 6/1996 Kobayashi D16/230
D. 374,024 9/1996 Onoda D16/230
3,170,370 2/1965 Mulch 353/115

OTHER PUBLICATIONS

Sharp Catalog, Aug. 1993 p. 3 (Projecter P1).

Primary Examiner—Philip S. Hyder
Assistant Examiner—Adir Aronovich
Attorney, Agent, or Firm—Sughrue, Mion, Zinn, Macpeak
& Seas, PLLC

[57] **CLAIM**

The ornamental design for a projector, as shown.

DESCRIPTION

FIG. 1 is a perspective view of the top, front and right side of a projector showing our new design; FIG. 2 is a front elevational view thereof; FIG. 3 is a rear elevational view thereof; FIG. 4 is a left side elevational view thereof; FIG. 5 is a right side elevational view thereof; FIG. 6 is a bottom plan view thereof; and, FIG. 7 is a top plan view thereof.

1 Claim, 4 Drawing Sheets

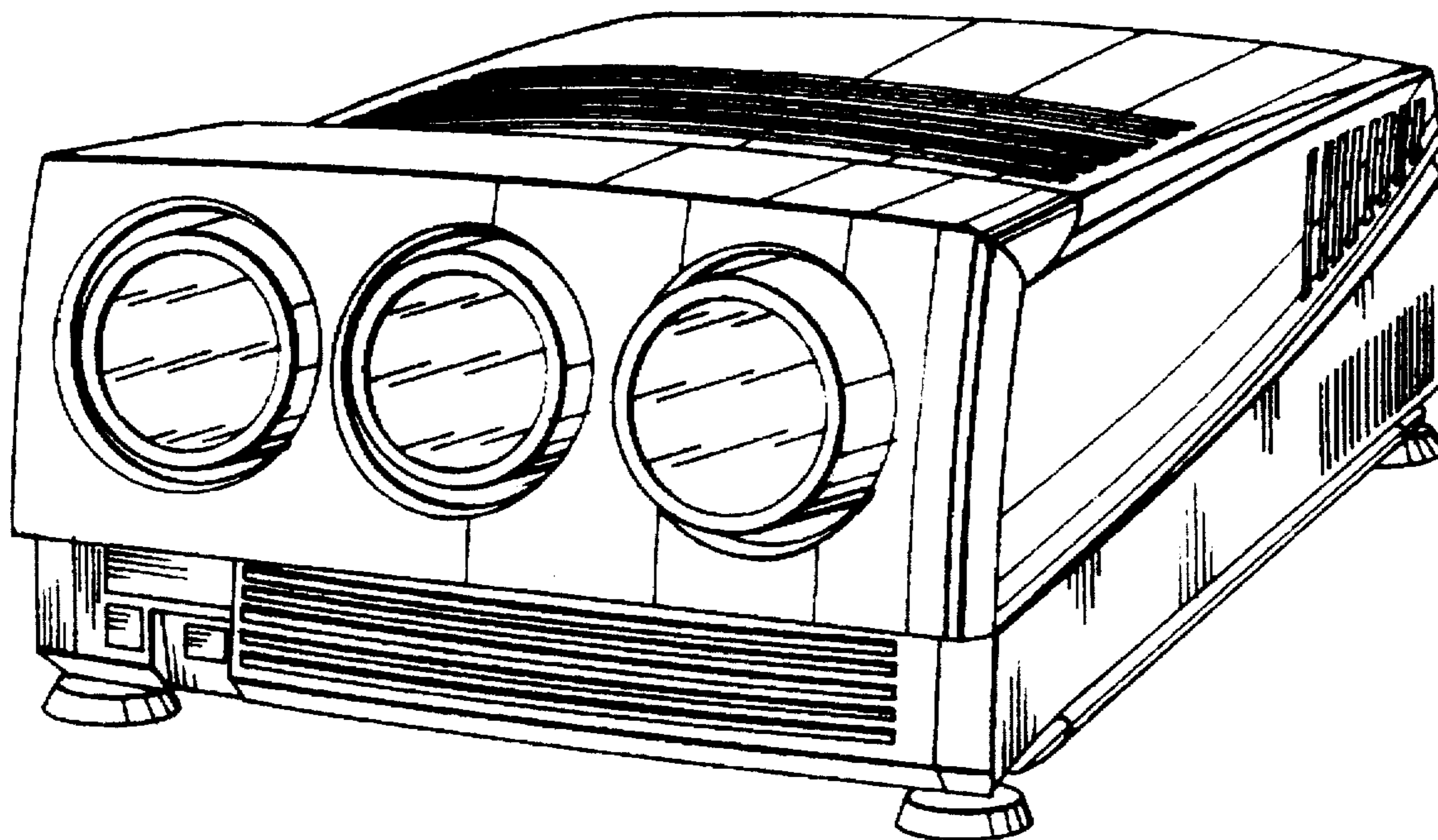


FIG. 1

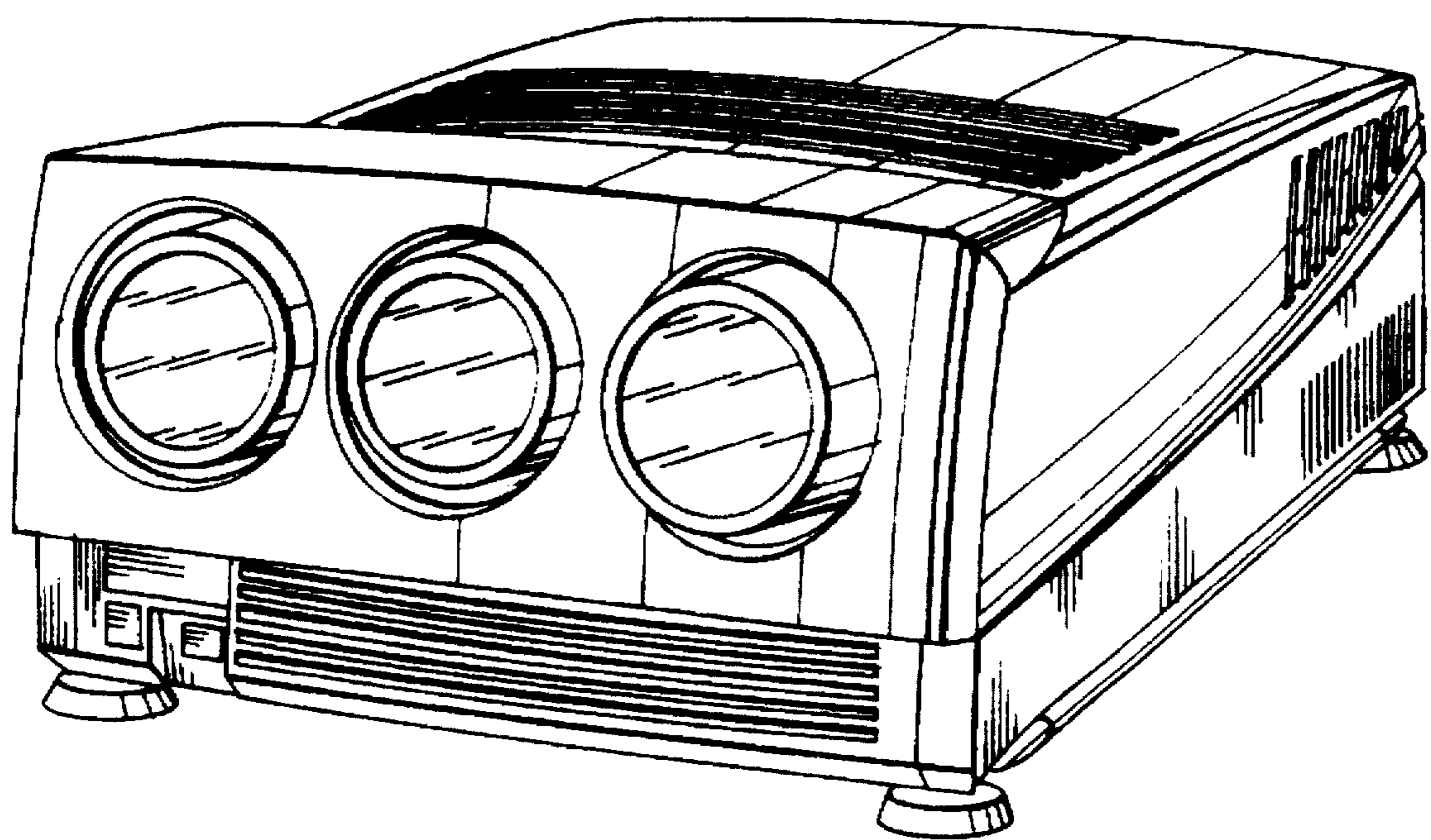


FIG. 2

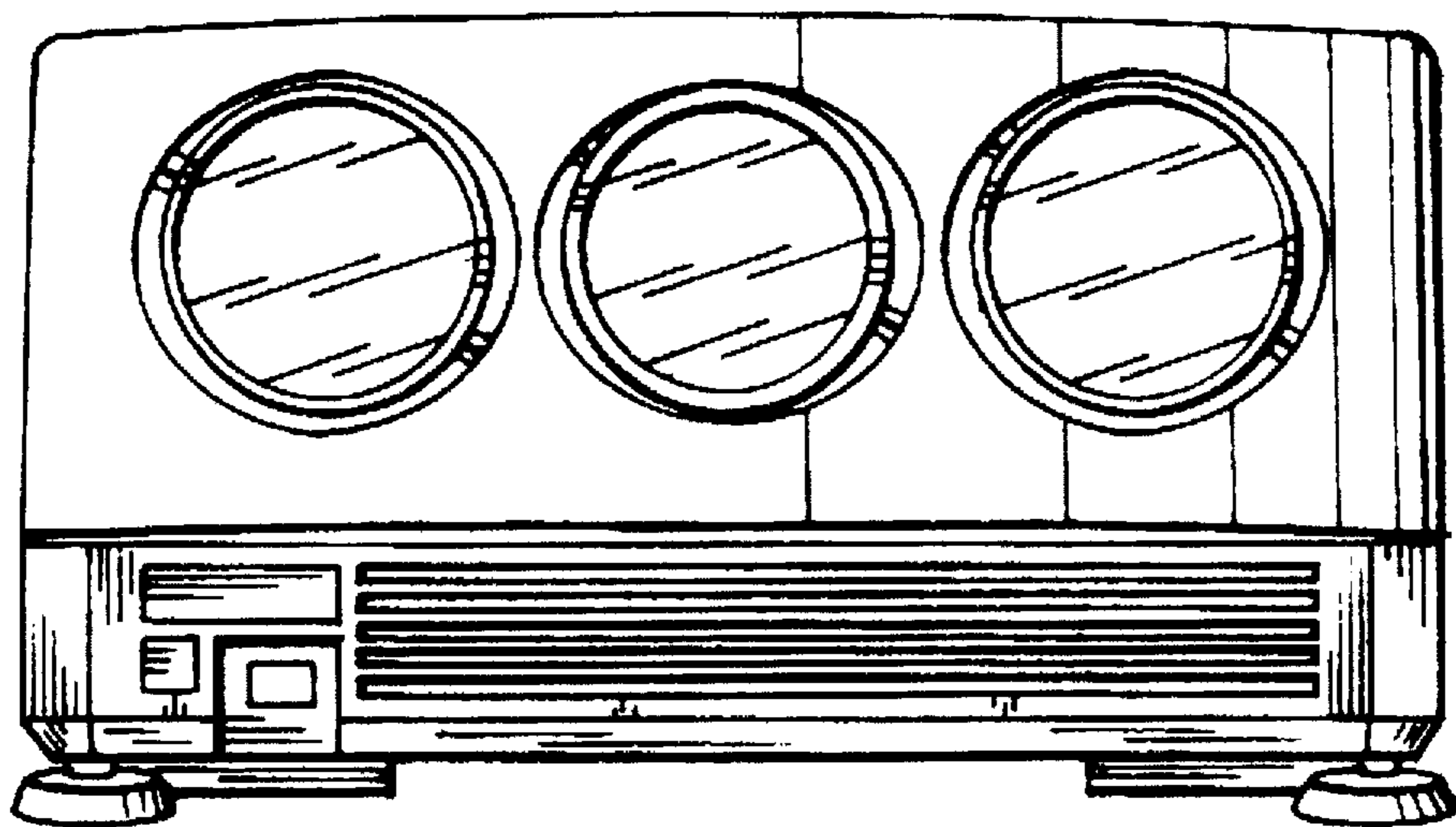


FIG. 3

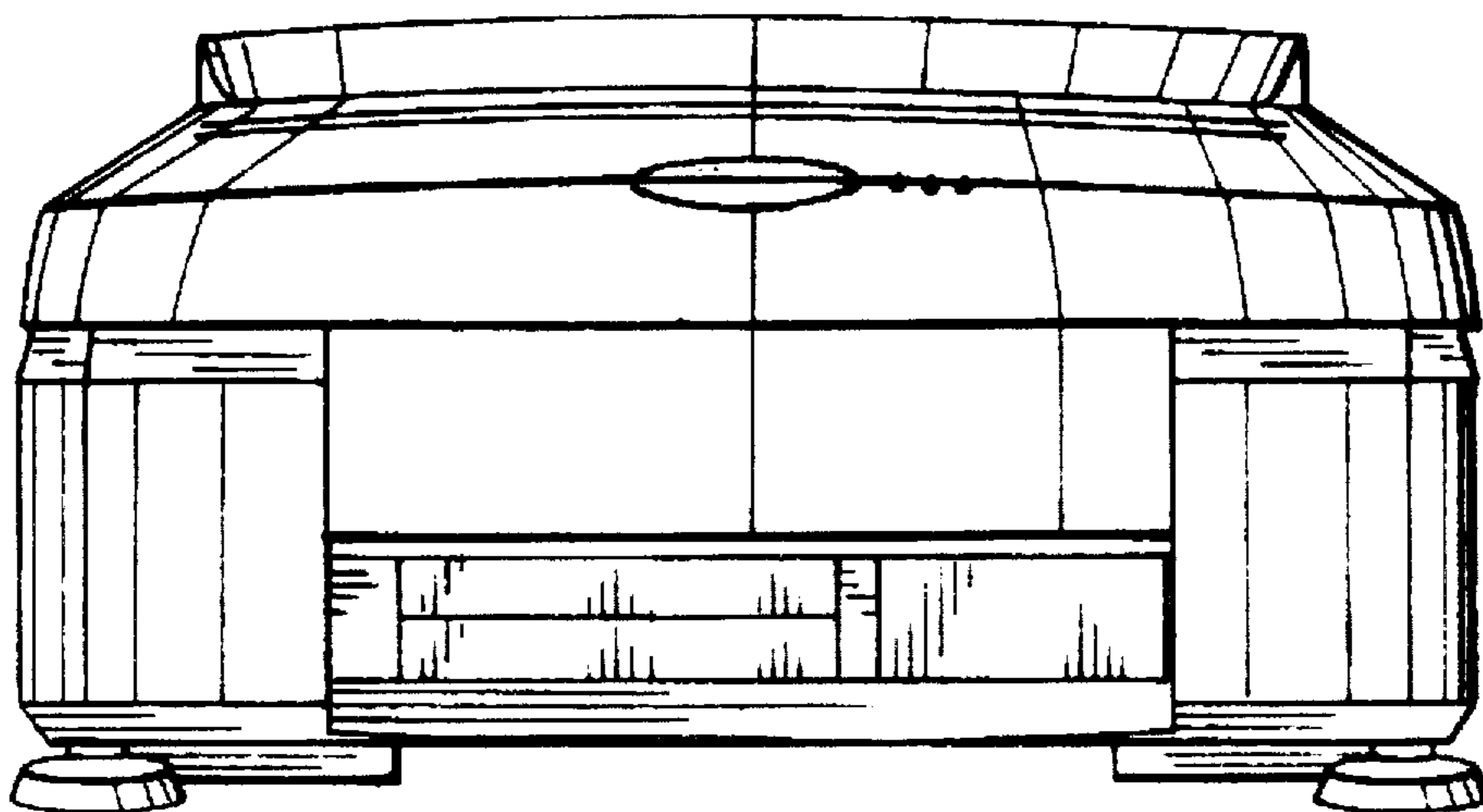


FIG. 4

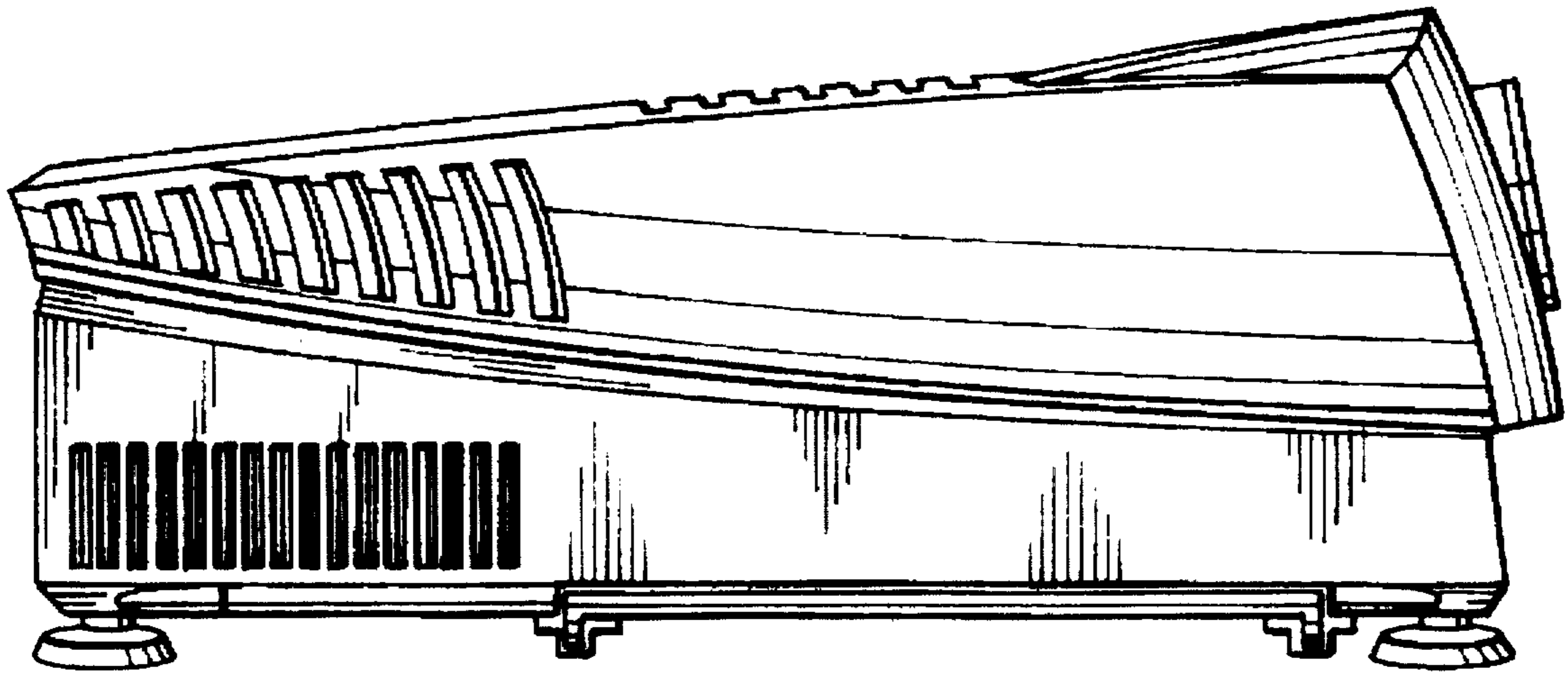


FIG. 5

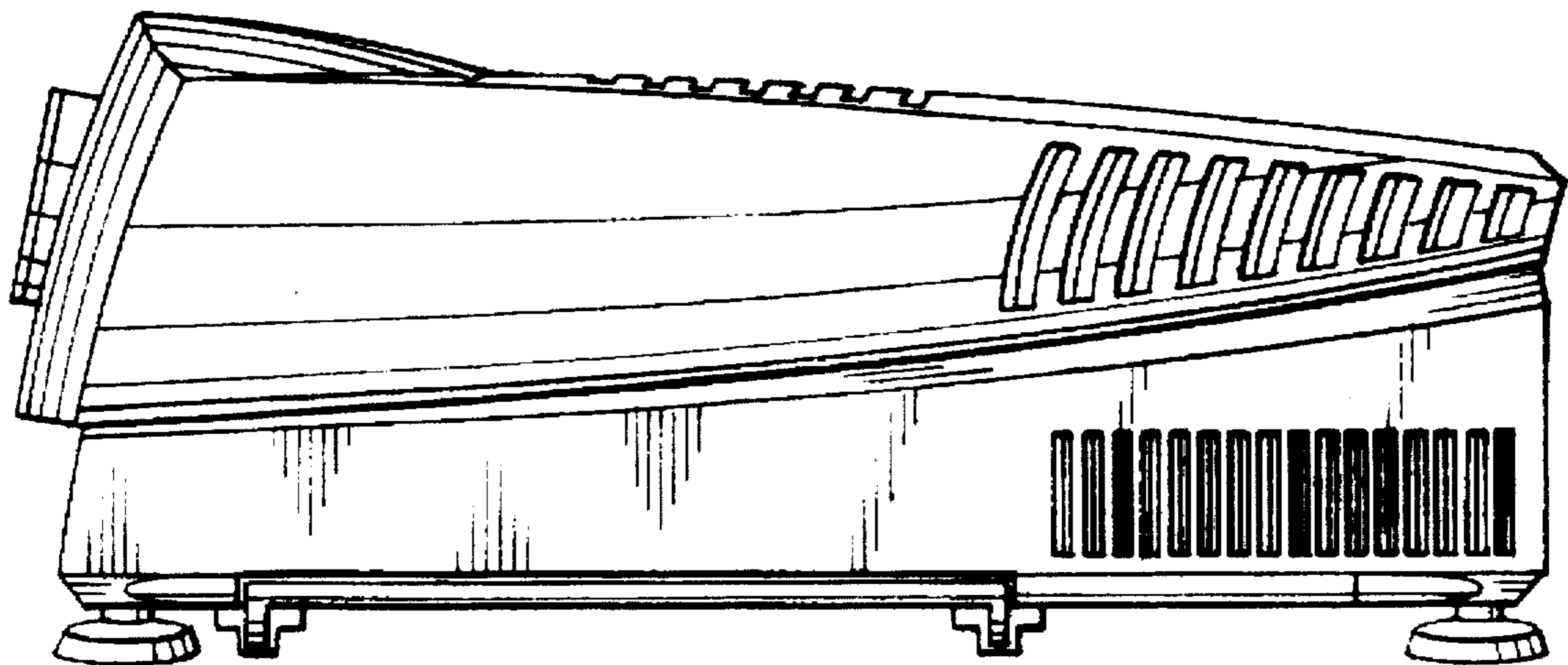


FIG. 6

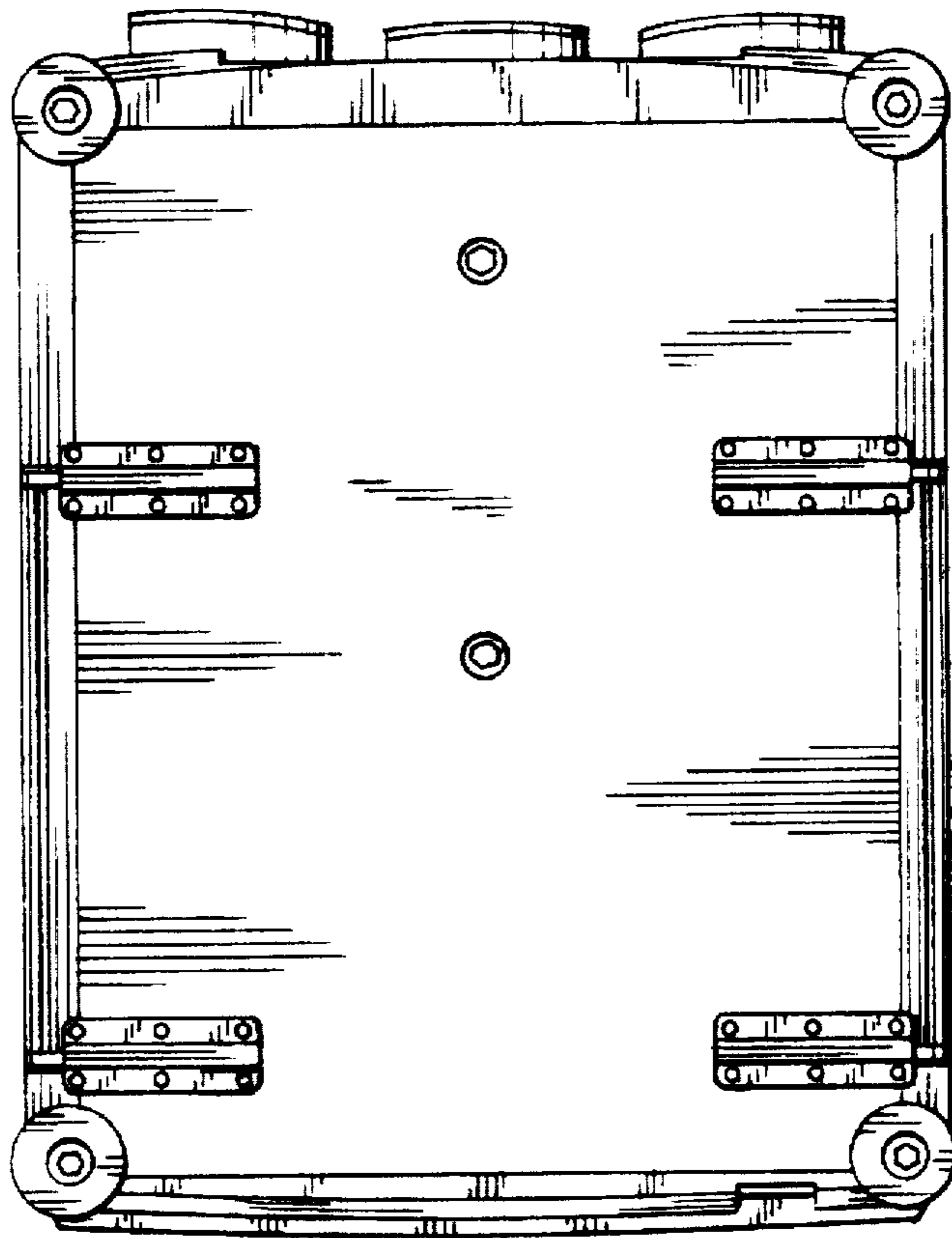


FIG. 7

