



US00D390246S

**United States Patent** [19]  
**Cienfuegos-Jovellanos**

[11] **Patent Number:** **Des. 390,246**  
[45] **Date of Patent:** **\*\*Feb. 3, 1998**

[54] **THREE-DIMENSIONAL PICTURE DISPLAY-PROJECTOR**

[75] **Inventor:** **Jose Maria Cienfuegos-Jovellanos,**  
**Madrid, Spain**  
[73] **Assignee:** **Novavision 3D, S.L., Colmenar Viejo,**  
**Spain**  
[\*\*] **Term:** **14 Years**

[21] **Appl. No.:** **64,477**

[22] **Filed:** **Jan. 2, 1997**

[30] **Foreign Application Priority Data**

Jul. 3, 1996 [ES] Spain ..... 137853

[51] **LOC (6) Cl.** ..... **16-02**

[52] **U.S. Cl.** ..... **D16/225; D16/221**

[58] **Field of Search** ..... **D14/128; D16/221,**  
**D16/225, 229, 230, 231, 234; 40/361; 353/115,**  
**119, 122, DIG. 3**

[56] **References Cited**

**U.S. PATENT DOCUMENTS**

D. 206,731 1/1967 Lee et al. .... D16/225

D. 289,769 5/1987 Geissler ..... D16/229  
D. 367,489 2/1996 Katayama ..... D16/221  
3,532,419 10/1970 Tanaka ..... 353/119

*Primary Examiner*—Philip S. Hyder  
*Assistant Examiner*—Adir Aronovich  
*Attorney, Agent, or Firm*—Ladas & Parry

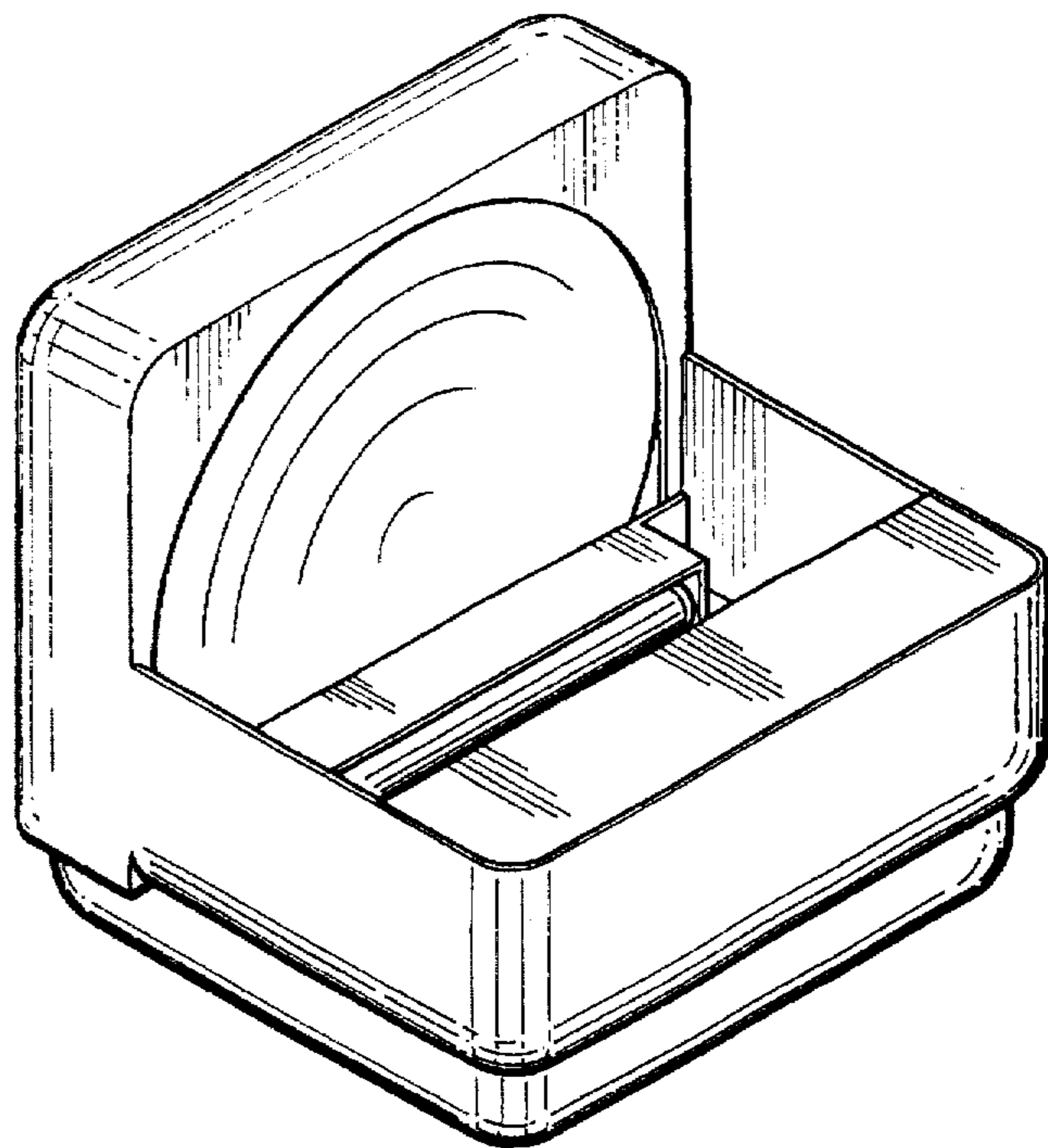
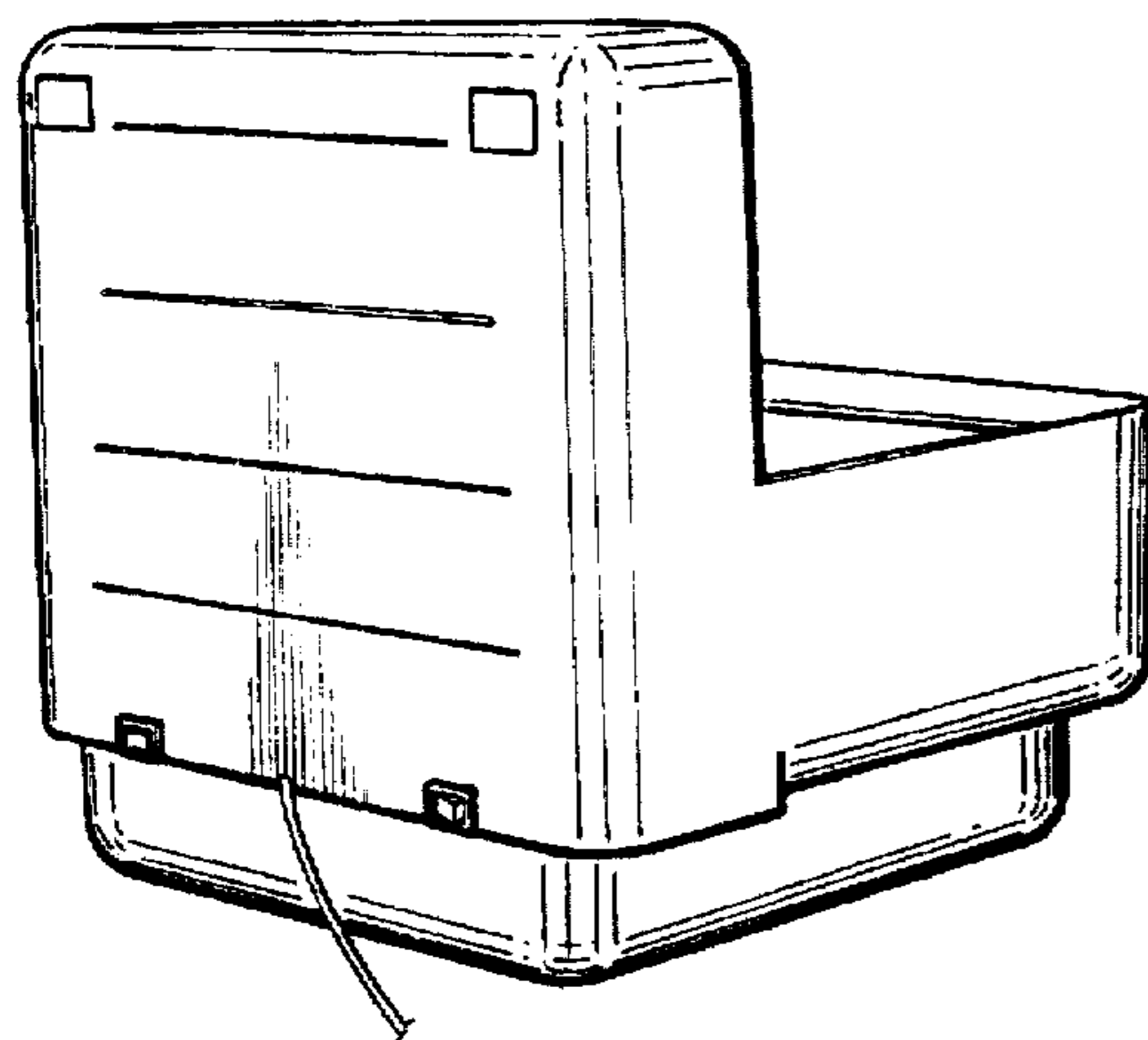
[57] **CLAIM**

The ornamental design for a three dimensional picture display-projector, as shown and described.

**DESCRIPTION**

FIG. 1 is a front elevation view of the three dimensional picture display-projector;  
FIG. 2 is a left side elevation view of the three dimensional picture display-projector, the right side elevation view being a mirror image and, therefore, not shown;  
FIG. 3 is a perspective view of the three dimensional picture display-projector from the rear;  
FIG. 4 is a top plan view of the three dimensional picture display-projector;  
FIG. 5 is a perspective view of the three dimensional picture display-projector from the front; and,  
FIG. 6 is a perspective view of the three dimensional picture display-projector from the bottom.

**1 Claim, 2 Drawing Sheets**



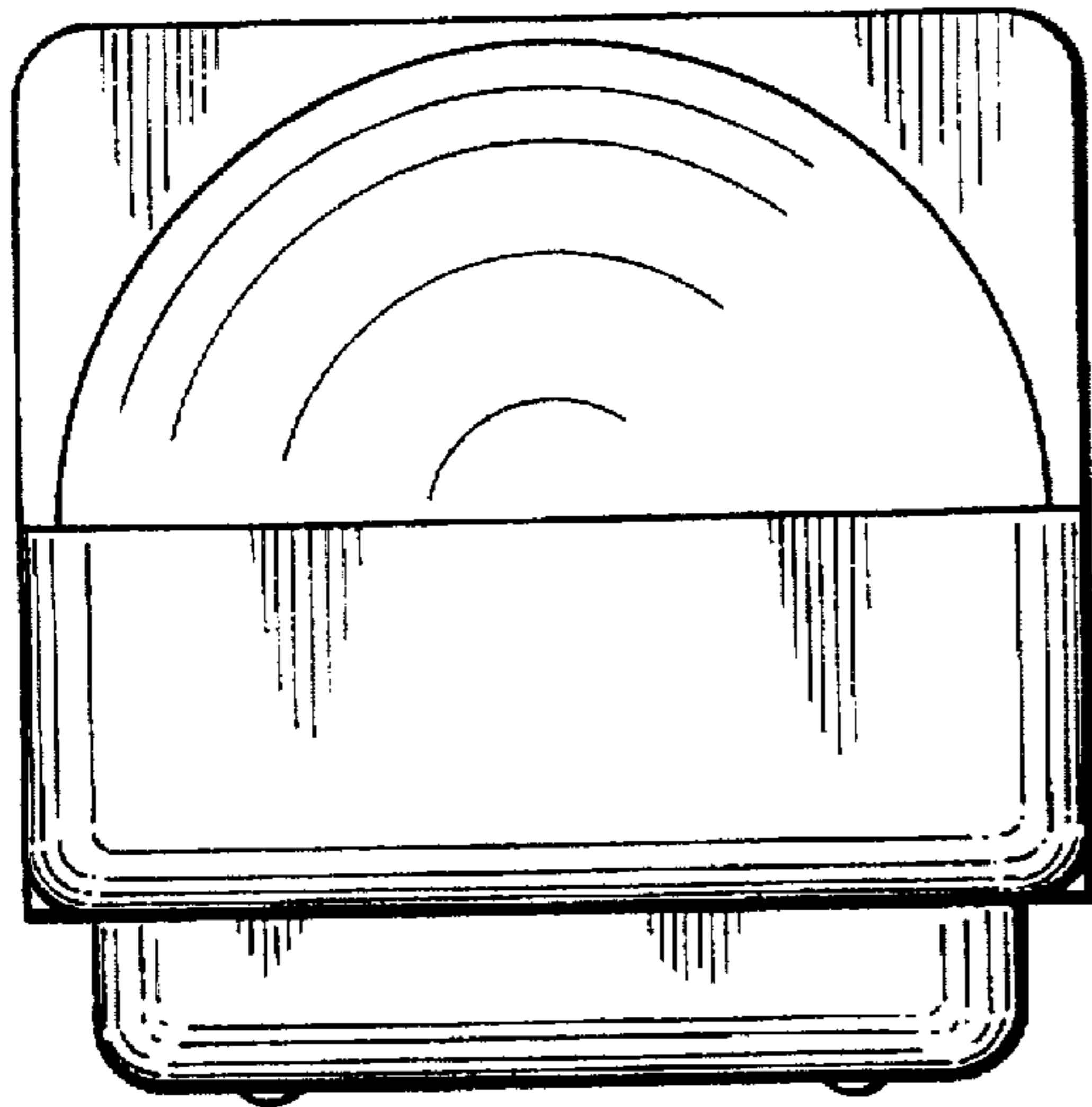


FIG.-1

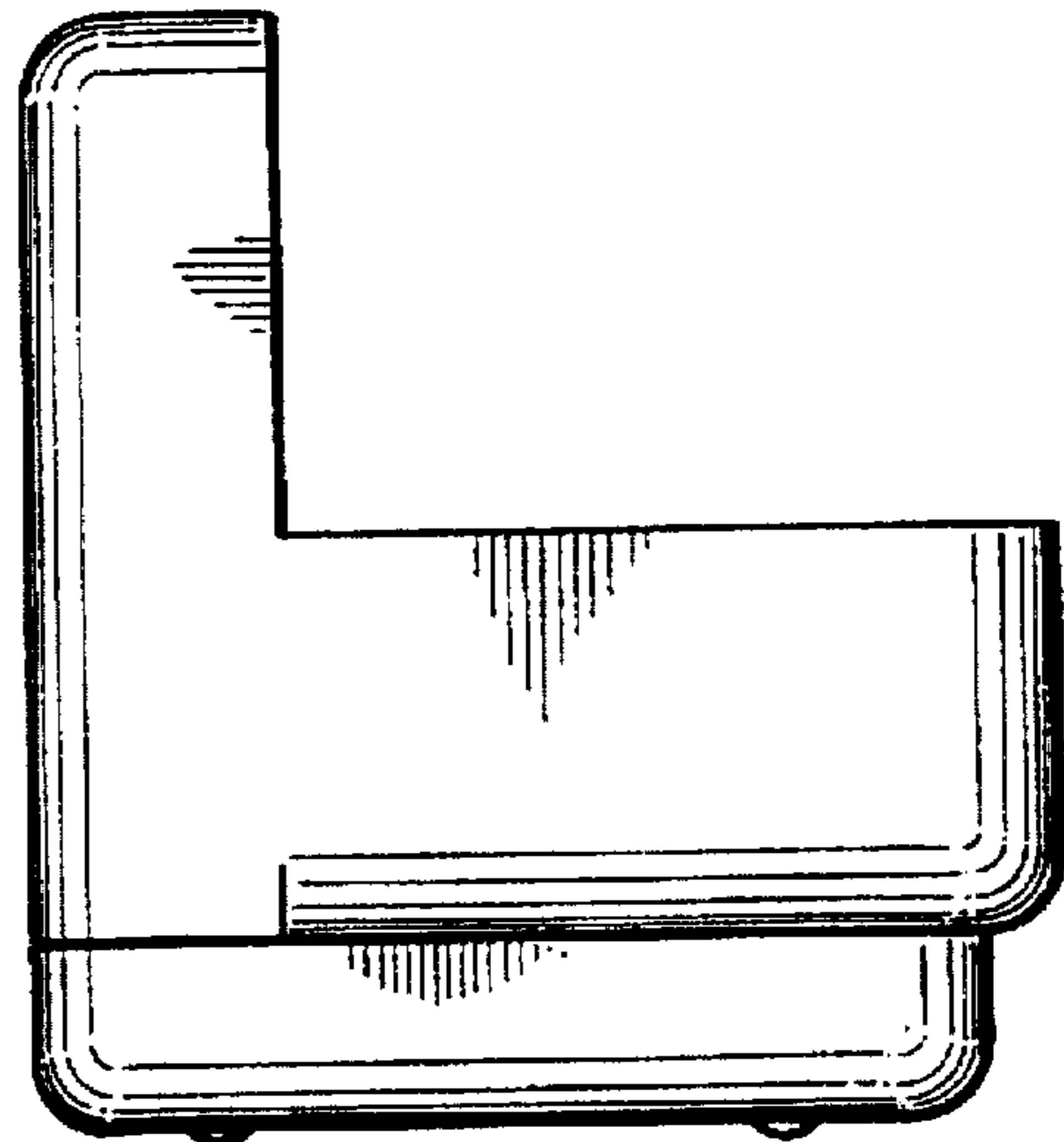


FIG.-2

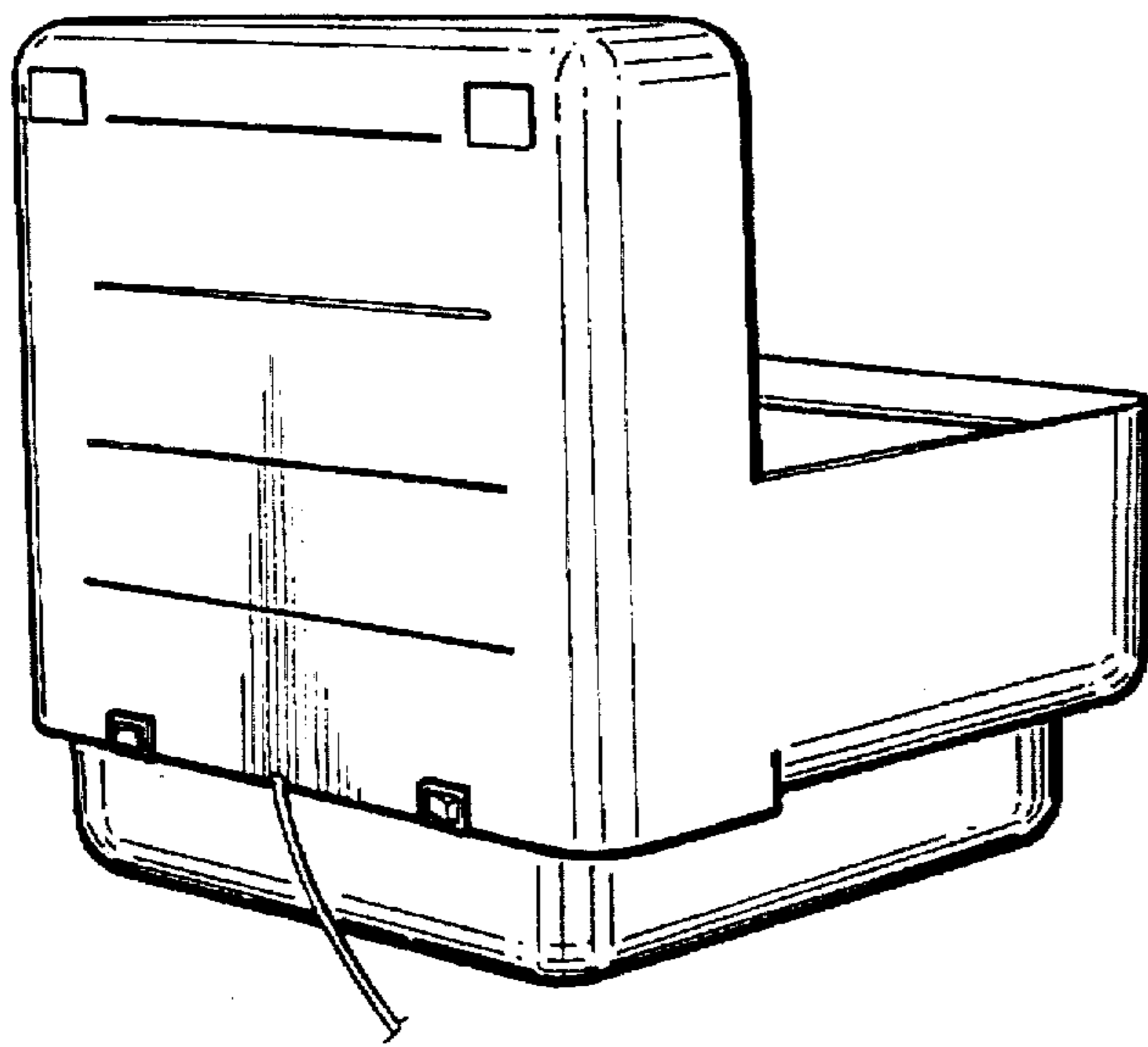


FIG.-3

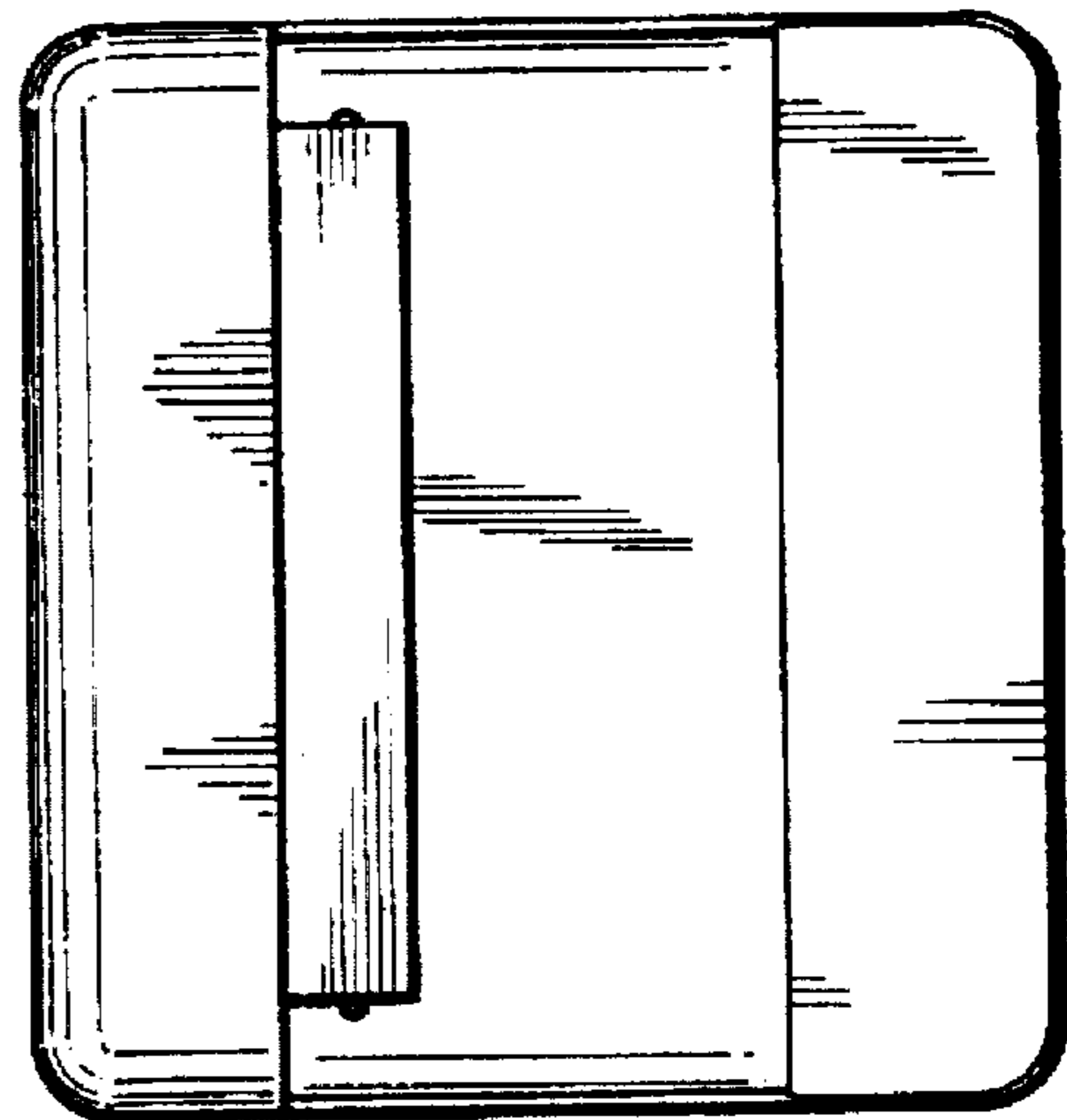


FIG.-4

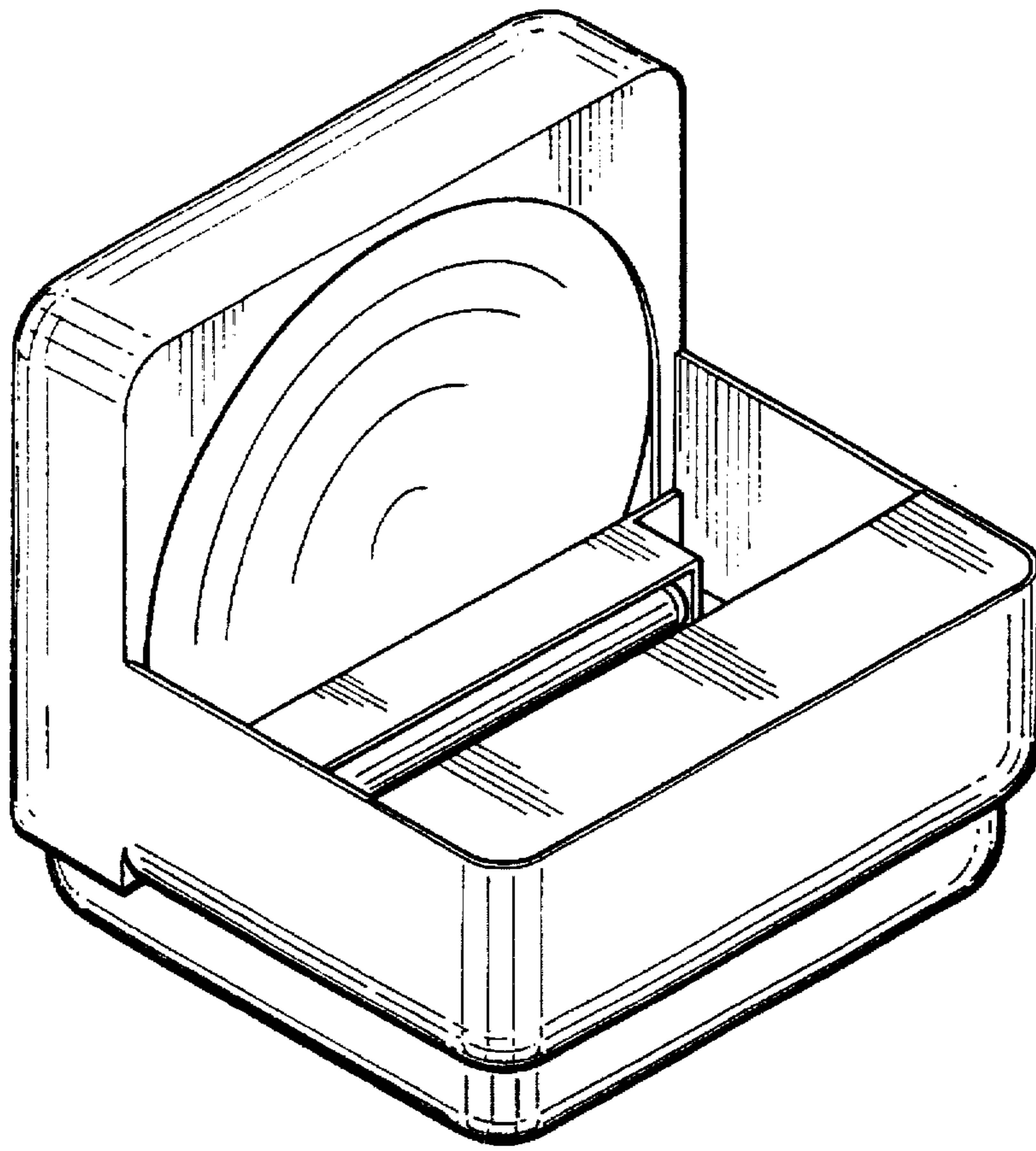


FIG.-5

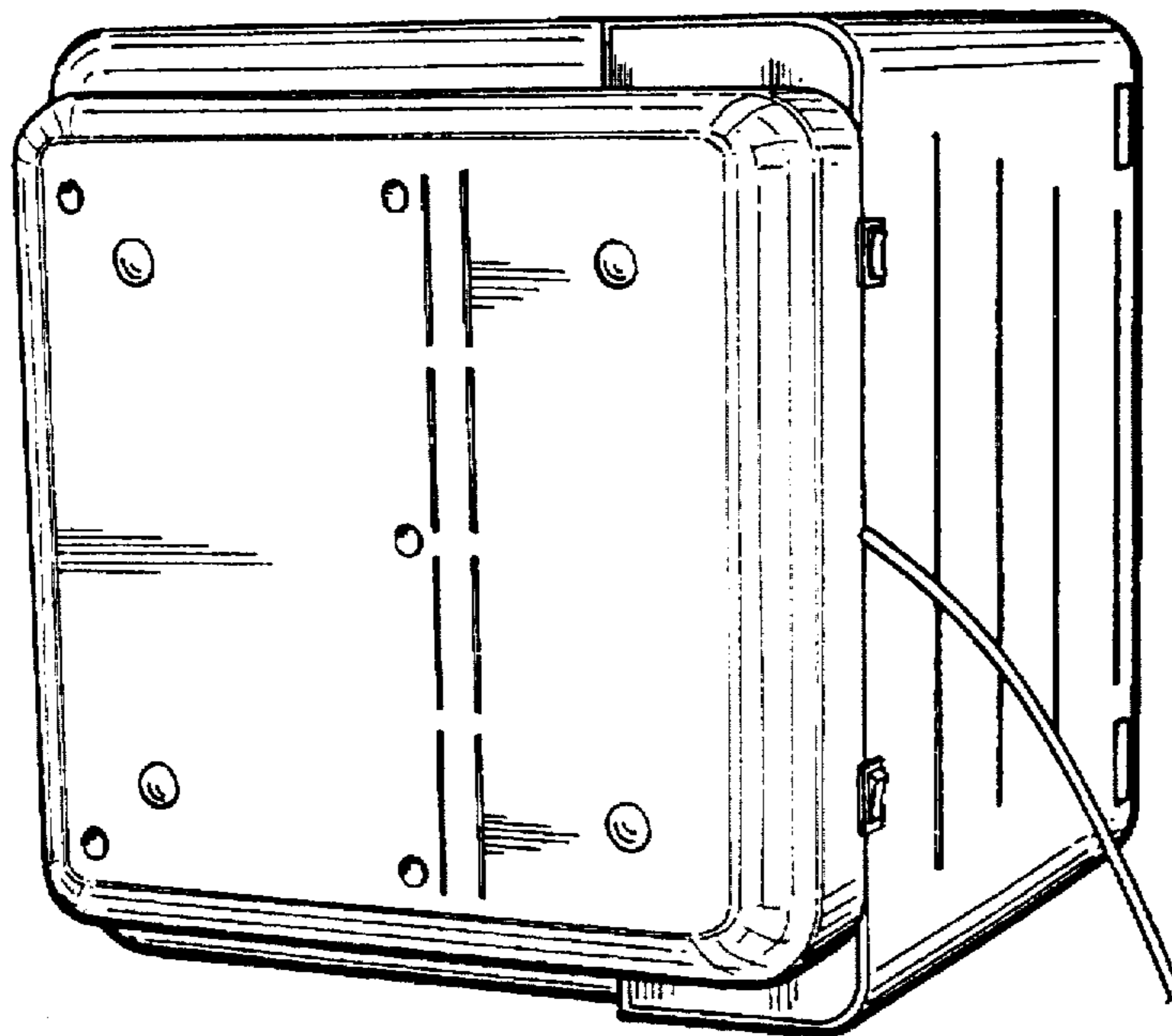


FIG.-6