



US00D390244S

# United States Patent [19]

Yamakawa et al.

[11] Patent Number: **Des. 390,244**

[45] Date of Patent: **\*\*Feb. 3, 1998**

## [54] TELEVISION CAMERA

[75] Inventors: **Yasuki Yamakawa; Kiyoshi Mitani,**  
both of Kanagawa, Japan

[73] Assignee: **Matsushita Electric Industrial Co.,**  
**Ltd.,** Osaka, Japan

[\*\*] Term: **14 Years**

[21] Appl. No.: **70,608**

[22] Filed: **May 9, 1997**

### [30] Foreign Application Priority Data

Nov. 11, 1996 [JP] Japan ..... 8-34204

[51] LOC (6) Cl. .... **16-01**

[52] U.S. Cl. .... **D16/202**

[58] Field of Search ..... D16/200-205,  
D16/208; 348/14-20, 373-376; 358/906,  
909.1; 396/535-543

### [56] References Cited

#### U.S. PATENT DOCUMENTS

D. 357,929	5/1995	Pierce	.....	D16/202
D. 367,488	2/1996	Takano et al.	.....	D16/202
D. 367,870	3/1996	Shinano	.....	D16/202
D. 374,023	9/1996	Beck et al.	.....	D16/202
5,594,495	1/1997	Palmer et al.	.....	348/15

## OTHER PUBLICATIONS

Harris Corporation Catalog, cover page, 1990.

*Primary Examiner*—Philip S. Hyder

*Assistant Examiner*—Adir Aronovich

*Attorney, Agent, or Firm*—Sughrue, Mion, Zinn, Macpeak  
& Seas, PLLC

## [57] CLAIM

The ornamental design for a television camera, as shown and described.

## DESCRIPTION

FIG. 1 is a perspective view of the front, top and right side of a television camera showing our new design;

FIG. 2 is a front elevational view thereof;

FIG. 3 is a top plan view thereof;

FIG. 4 is a bottom plan view thereof;

FIG. 5 is a right side elevational view thereof; the left side being a mirror image thereof;

FIG. 6 is a rear elevational view thereof; and,

FIG. 7 is a perspective view similar to FIG. 1 showing the television camera as it would be used in conjunction with a computer with the elements shown in phantom lines not being a part of the claimed design.

**1 Claim, 3 Drawing Sheets**

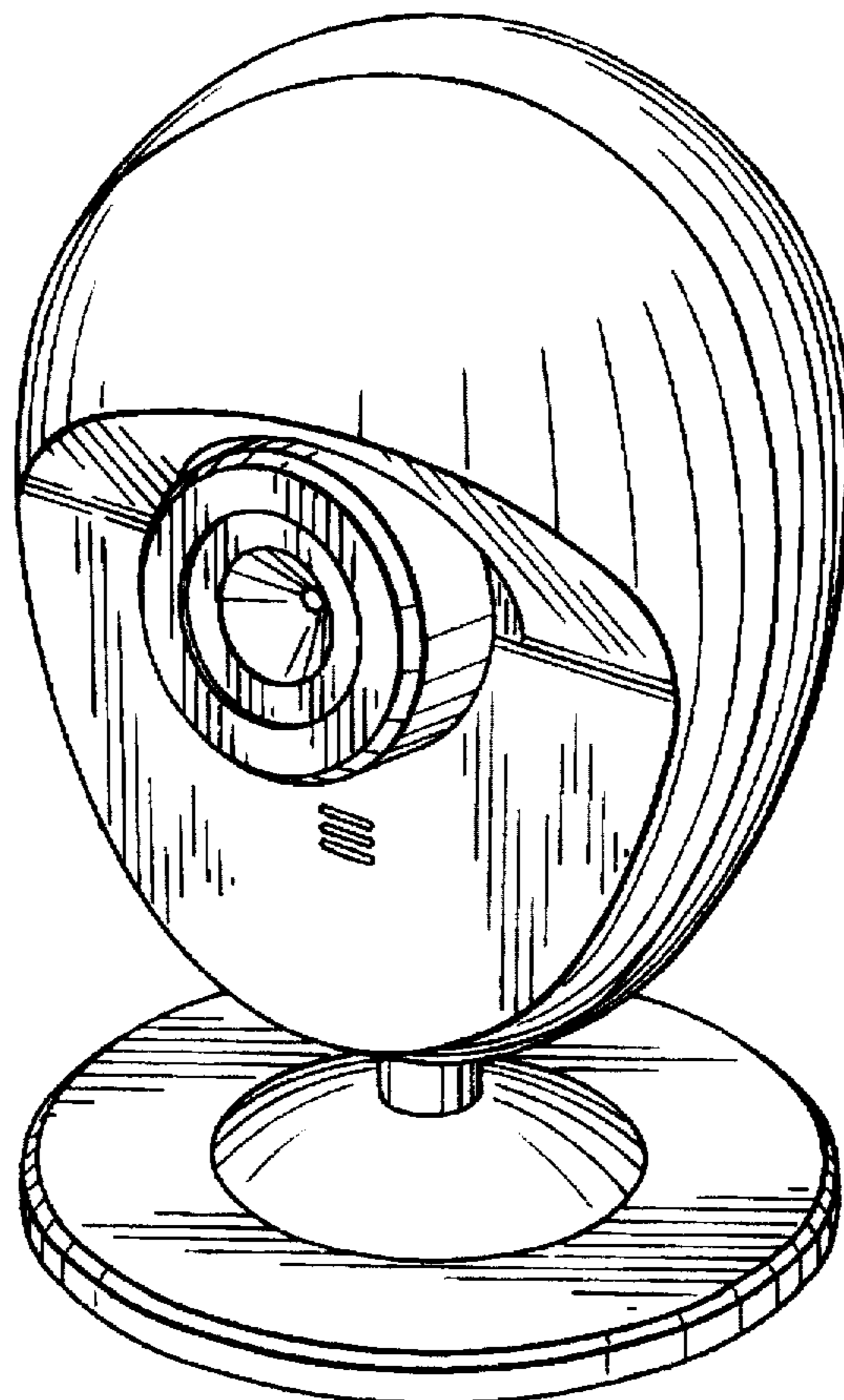


FIG. 1

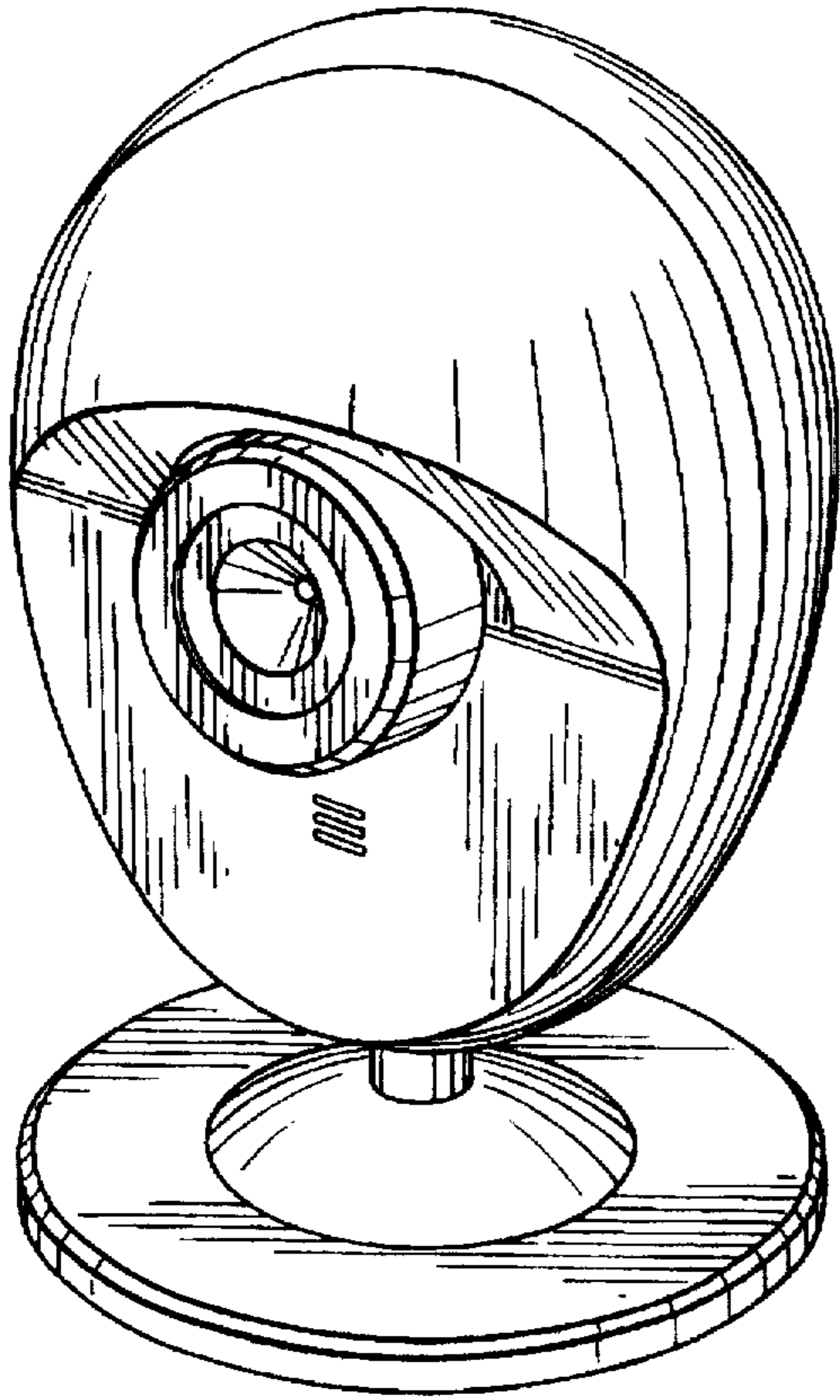


FIG. 2

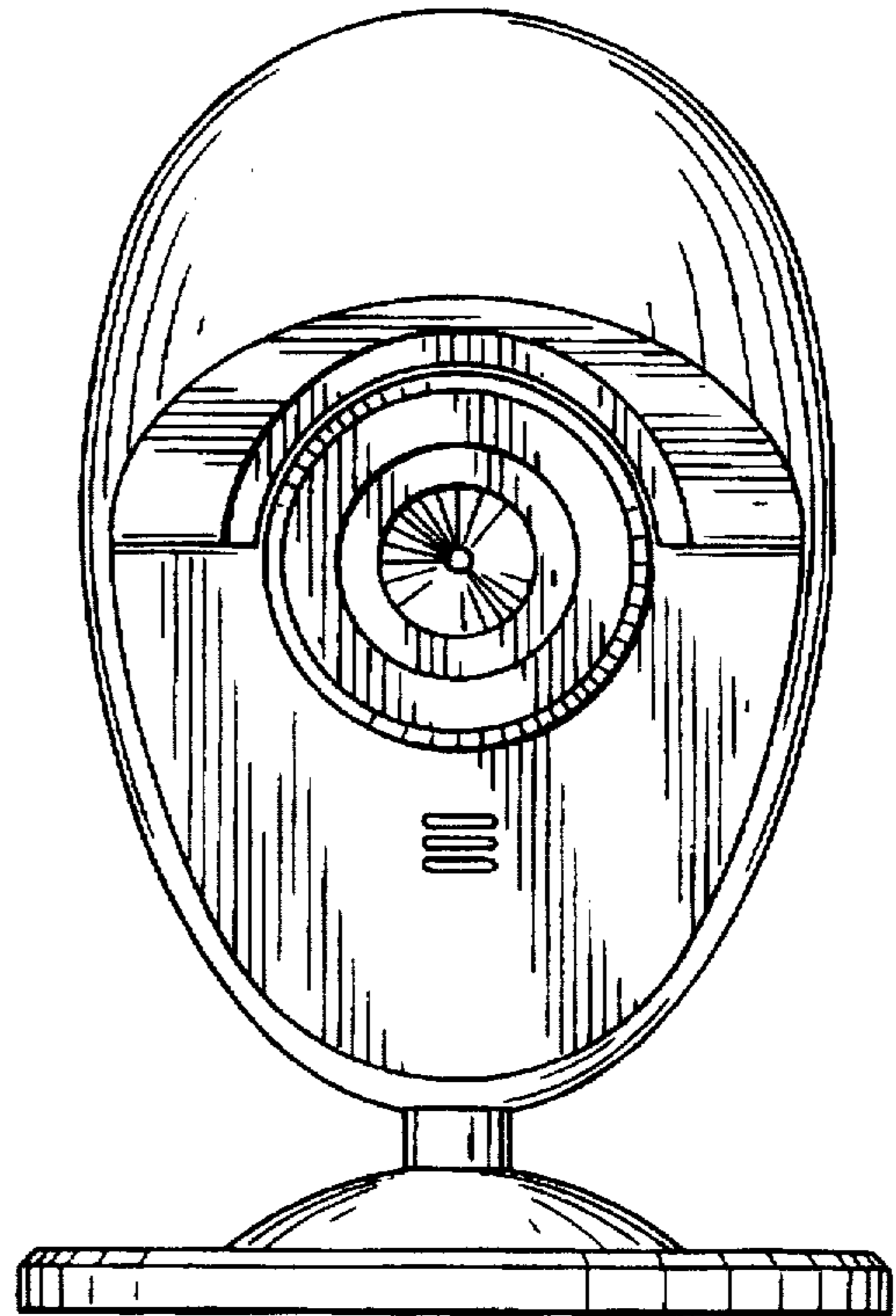


FIG. 3

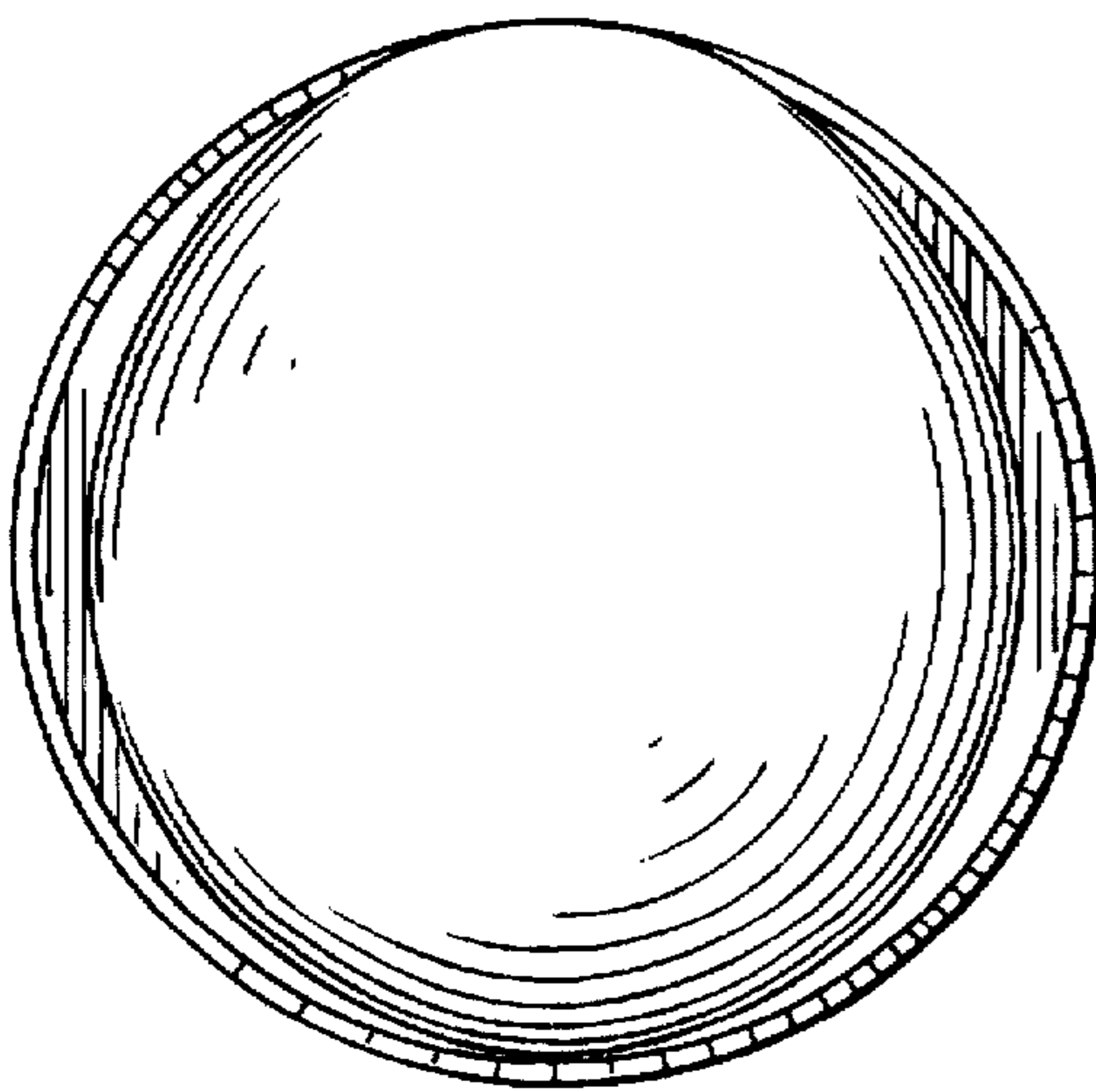
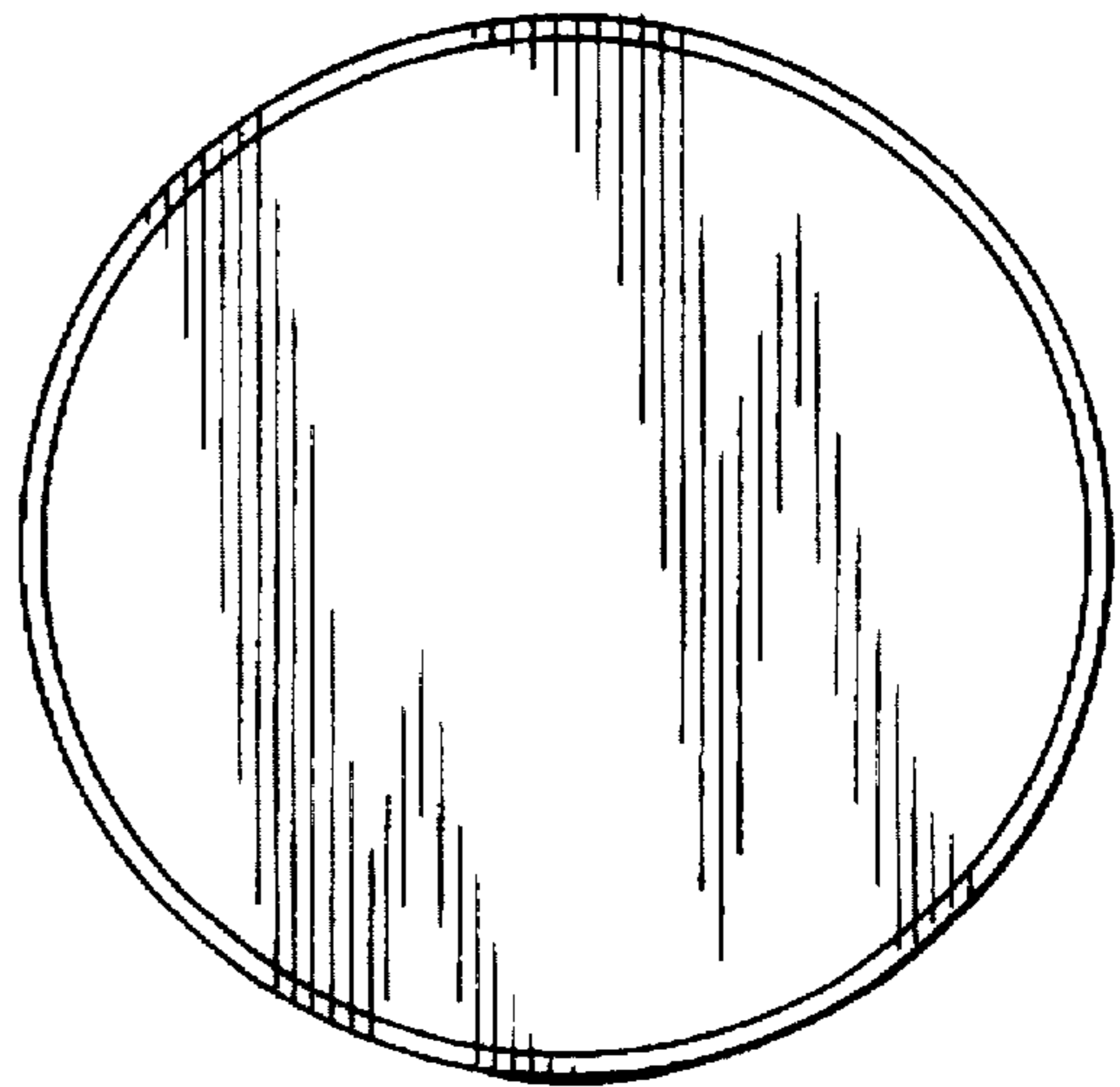
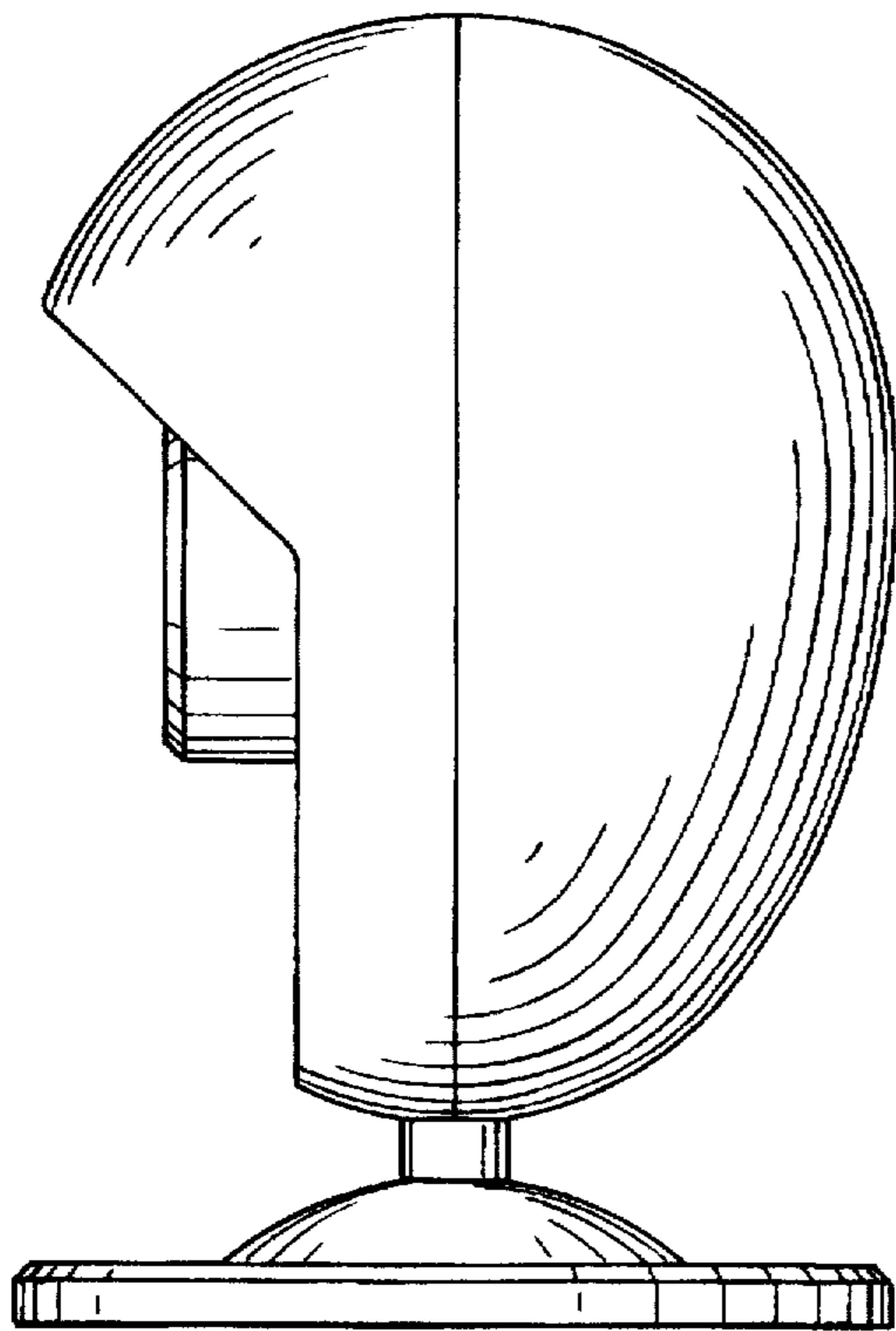


FIG. 4



*FIG. 5*



*FIG. 6*

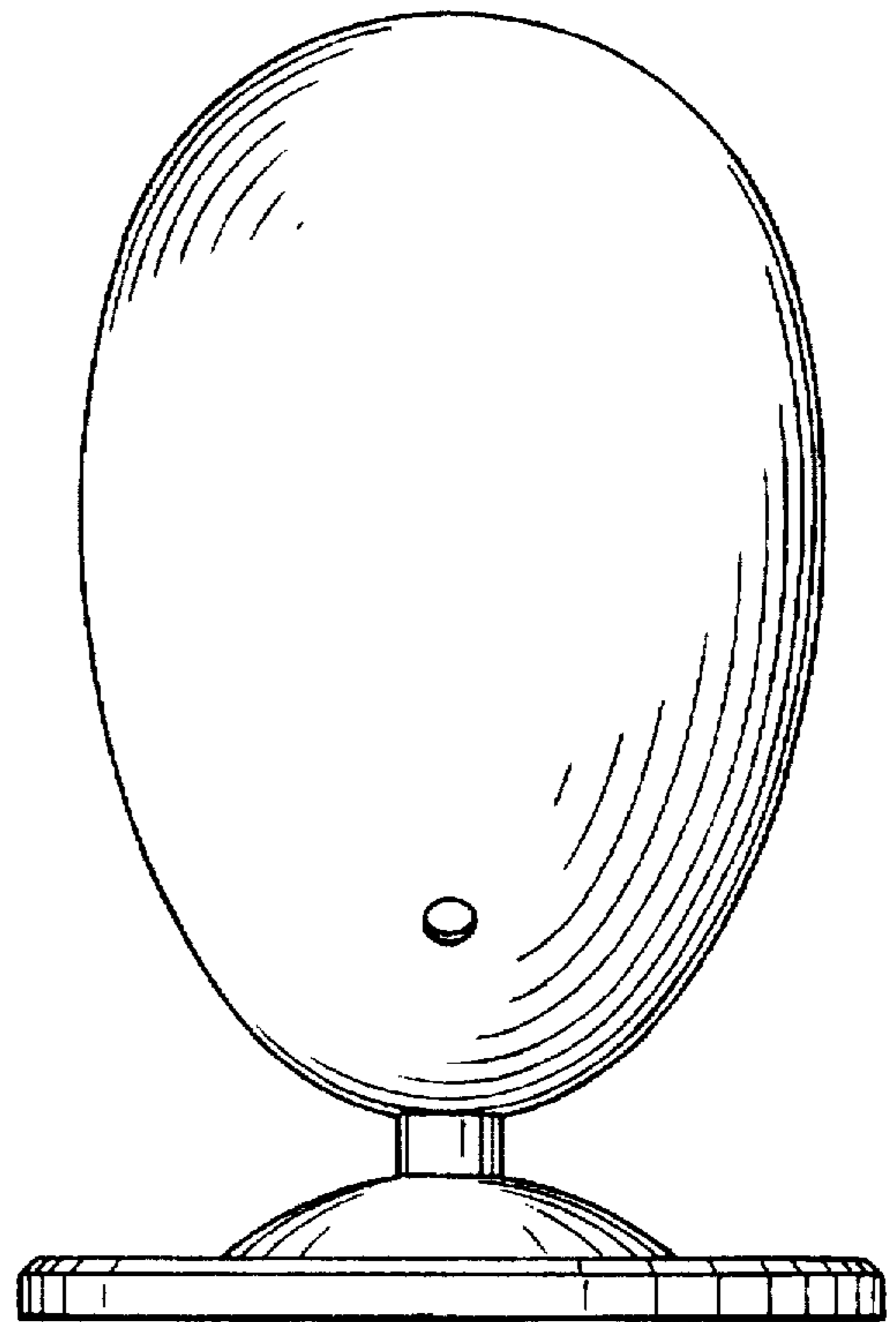




FIG. 7

