



US00D390242S

**United States Patent** [19]  
**Selden**

[11] **Patent Number: Des. 390,242**  
[45] **Date of Patent: \*\*Feb. 3, 1998**

[54] **MAGNIFYING LENS**

[76] **Inventor: Boynton Selden, 37 Saddle Ridge Dr., Bloomfield, Conn. 06002**

[\*\*] **Term: 14 Years**

[21] **Appl. No.: 63,196**

[22] **Filed: Dec. 2, 1996**

[51] **LOC (6) Cl. .... 16-06**

[52] **U.S. Cl. .... D16/135**

[58] **Field of Search .... D16/130, 134, D16/135; 359/804, 809, 811, 819, 894; 73/328, 334**

[56] **References Cited**

**U.S. PATENT DOCUMENTS**

D. 328,910	8/1992	Wallace	.....	D16/135
D. 334,940	4/1993	Wolinsky	.....	D16/134
2,064,963	12/1936	Wheeler	.....	D16/130 X
2,101,340	12/1937	Owens	.....	359/811
2,194,227	3/1940	Horan	.....	359/809 X

5,262,899	11/1993	Iizuka	.....	359/811
5,457,577	10/1995	Wilsn	.....	359/811 X
5,488,514	1/1996	Bruning et al.	.....	359/811

*Primary Examiner—Paula A. Mortimer*  
*Attorney, Agent, or Firm—Pepe & Hazard LLP*

[57] **CLAIM**

The ornamental design for a magnifying lens, as shown and described.

**DESCRIPTION**

FIG. 1 is a front perspective view of a magnifying lens showing my new design, the broken line showing of the handle is for illustrative purposes only and forms no part of the claimed design;

FIG. 2 is a front elevational view thereof;

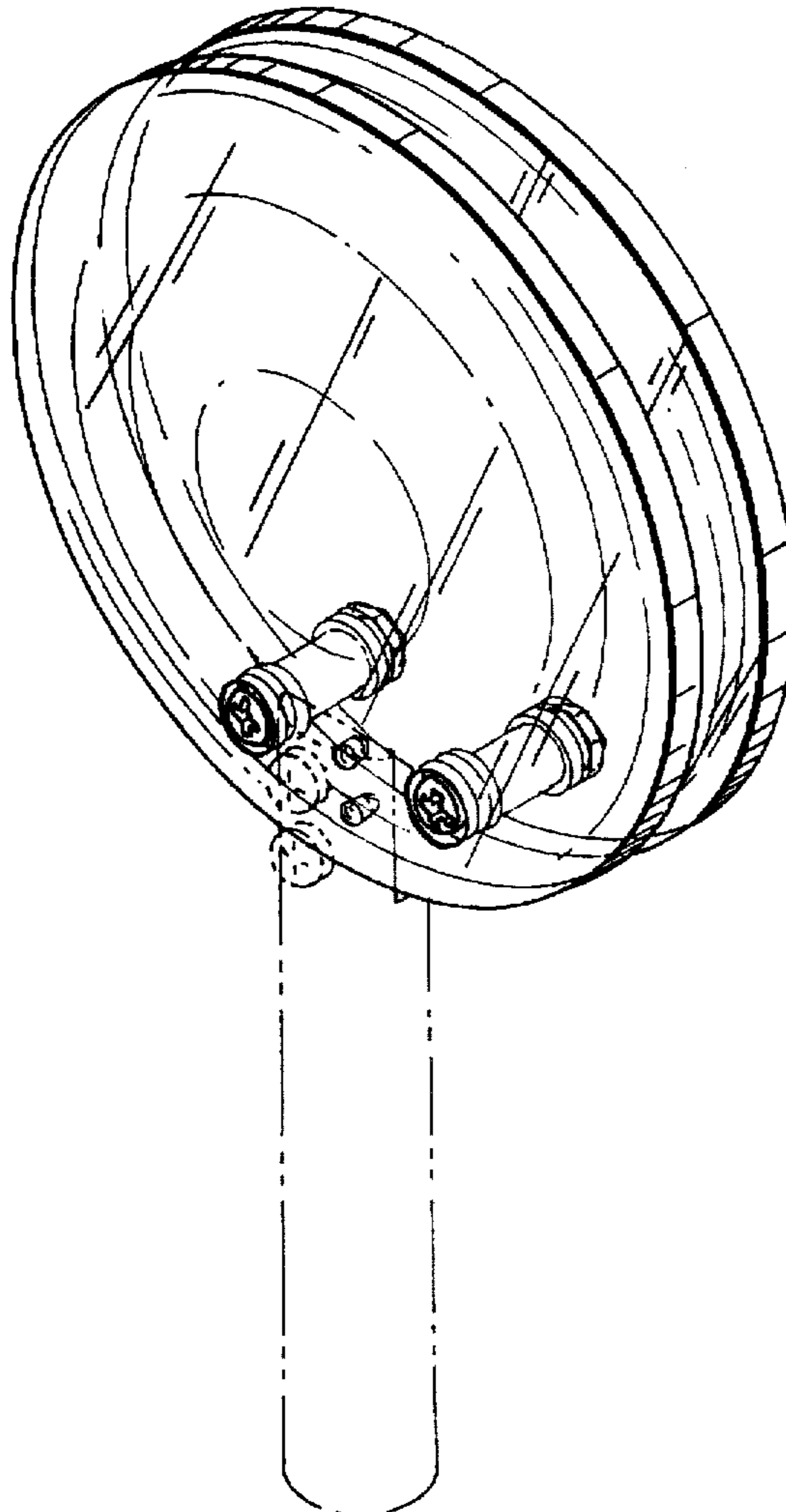
FIG. 3 is a rear elevational view thereof;

FIG. 4 is a side elevational view thereof, the opposite side is a mirror image;

FIG. 5 is a top plan view thereof; and,

FIG. 6 is a bottom plan view thereof.

**1 Claim, 1 Drawing Sheet**



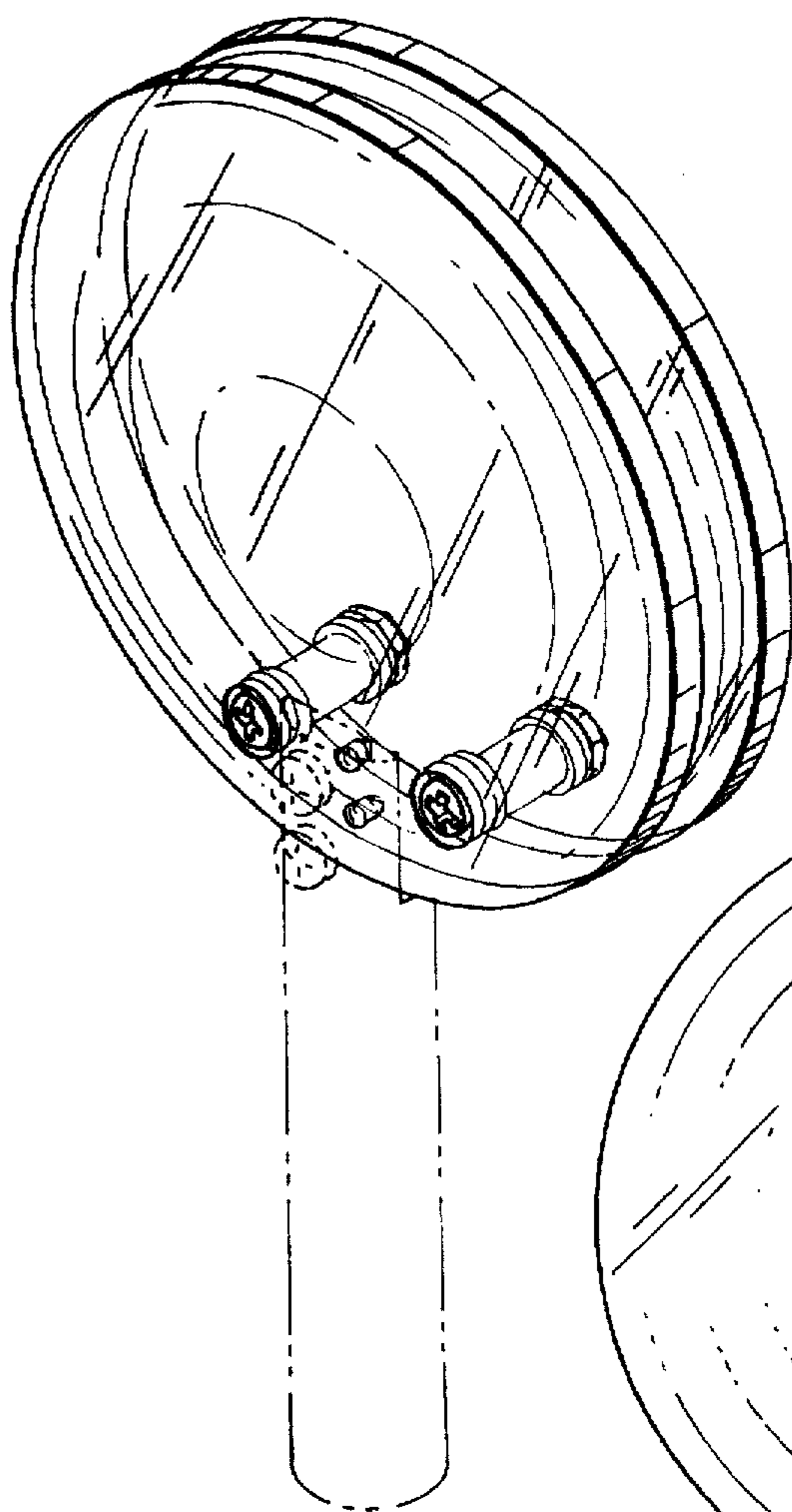


FIG. 1

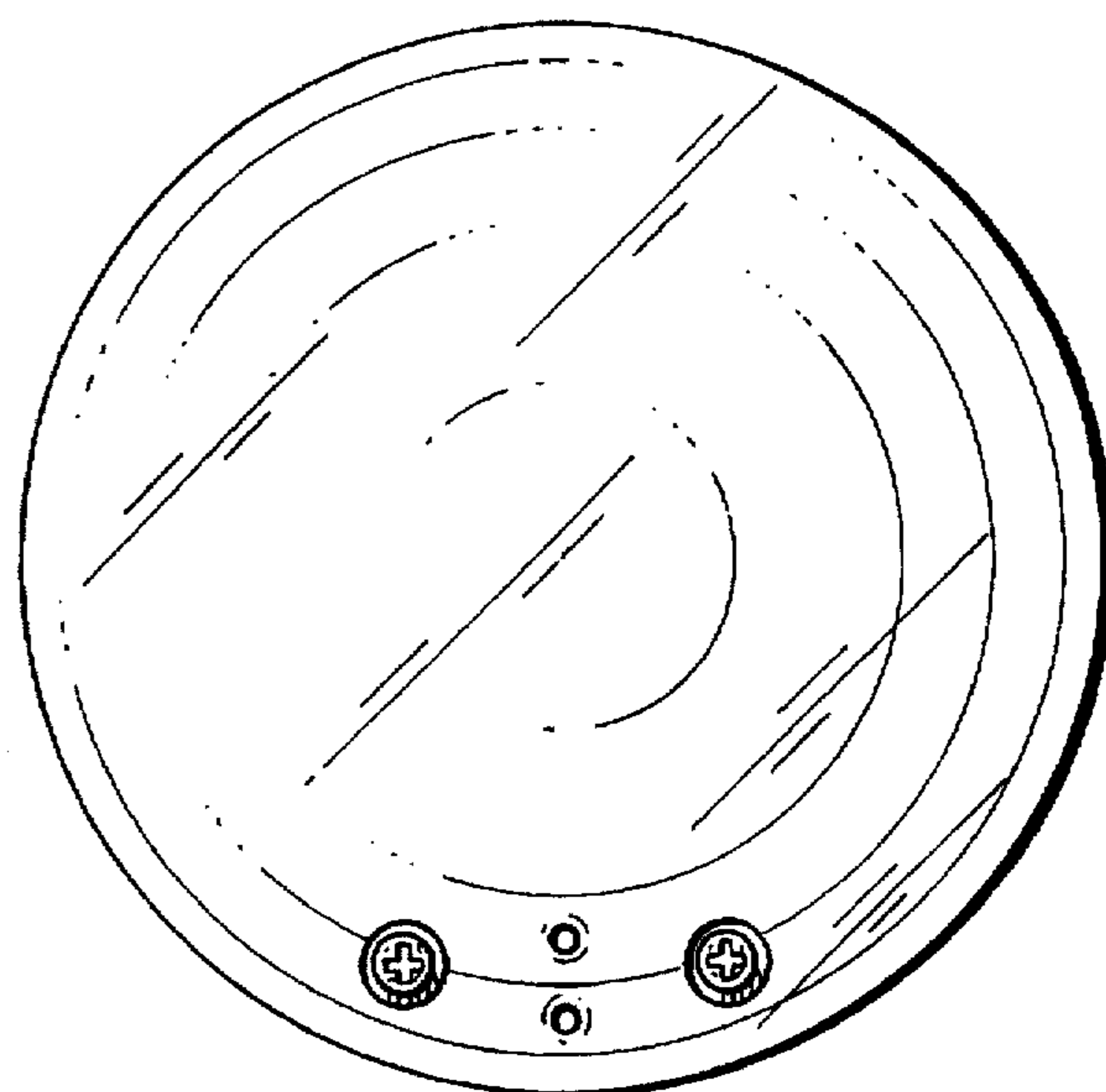


FIG. 2

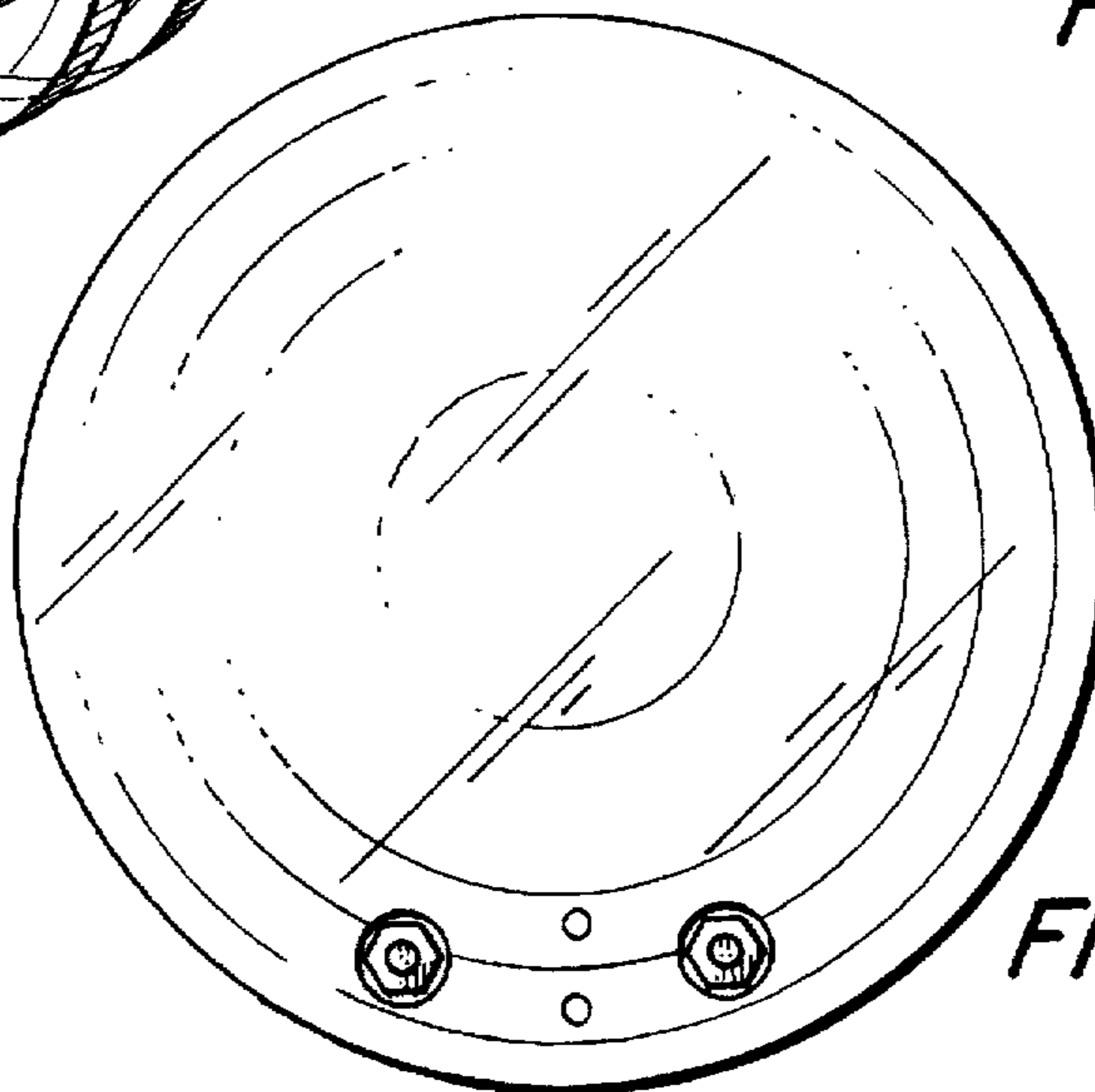


FIG. 3



FIG. 5

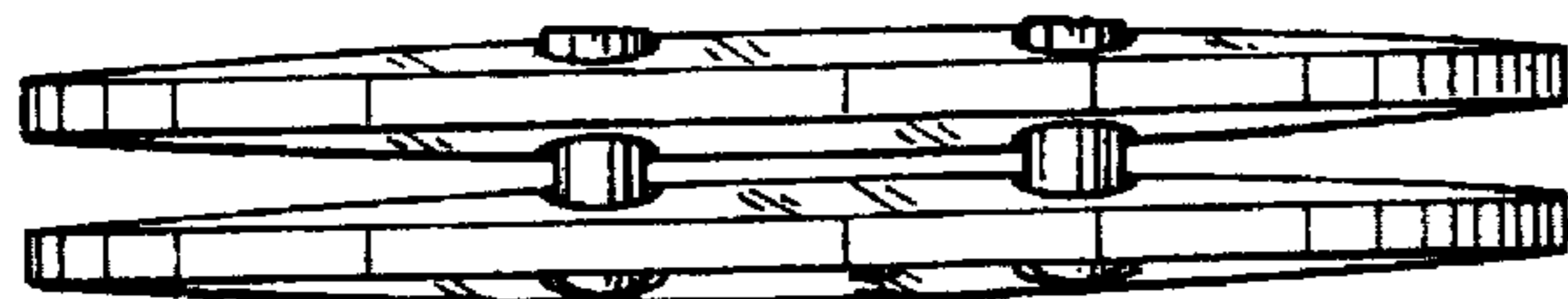


FIG. 6

FIG. 4

