

US00D390237S

United States Patent [19]
Smith

[11] **Patent Number:** **Des. 390,237**

[45] **Date of Patent:** ****Feb. 3, 1998**

[54] **CONTROL HANDLE FOR A RIDING MOWER**

[76] **Inventor:** **Kenneth R. Smith**, 2767 Columbia Rd., Medina, Ohio 44256

[**] **Term:** **14 Years**

[21] **Appl. No.:** **71,122**

[22] **Filed:** **May 21, 1997**

[51] **LOC (6) Cl.** **15-03**

[52] **U.S. Cl.** **D15/18**

[58] **Field of Search** D8/300; D12/175, D12/178; D21/48; D15/14-18; 56/12.1, 12.7, 12.8, 13.4, 13.7, 16.7, 17.1, 17.4, 17.5, 202, 255, 320.1, 320.2, DIG. 18

[56] **References Cited**

U.S. PATENT DOCUMENTS

D. 193,627	9/1962	Rech	D15/18
D. 241,568	9/1976	Herzog	D15/18
D. 382,887	8/1997	Chen	D8/300
5,488,818	2/1996	Powers et al.	D15/18

OTHER PUBLICATIONS

Dixon catalog, p. 2, Dixon ZTR 42 Mower, Oct. 1984.

Primary Examiner—Sandra L. Morris

[57] **CLAIM**

The ornamental design for control handle for a riding mower, as shown and described.

DESCRIPTION

FIG. 1 is a right side perspective view of a control handle for a riding mower, showing my new design, the broken line showing of the mower is for illustrative purposes only, and forms no part of the claimed design;

FIG. 2 is a top plan view thereof;

FIG. 3 is a rear view thereof;

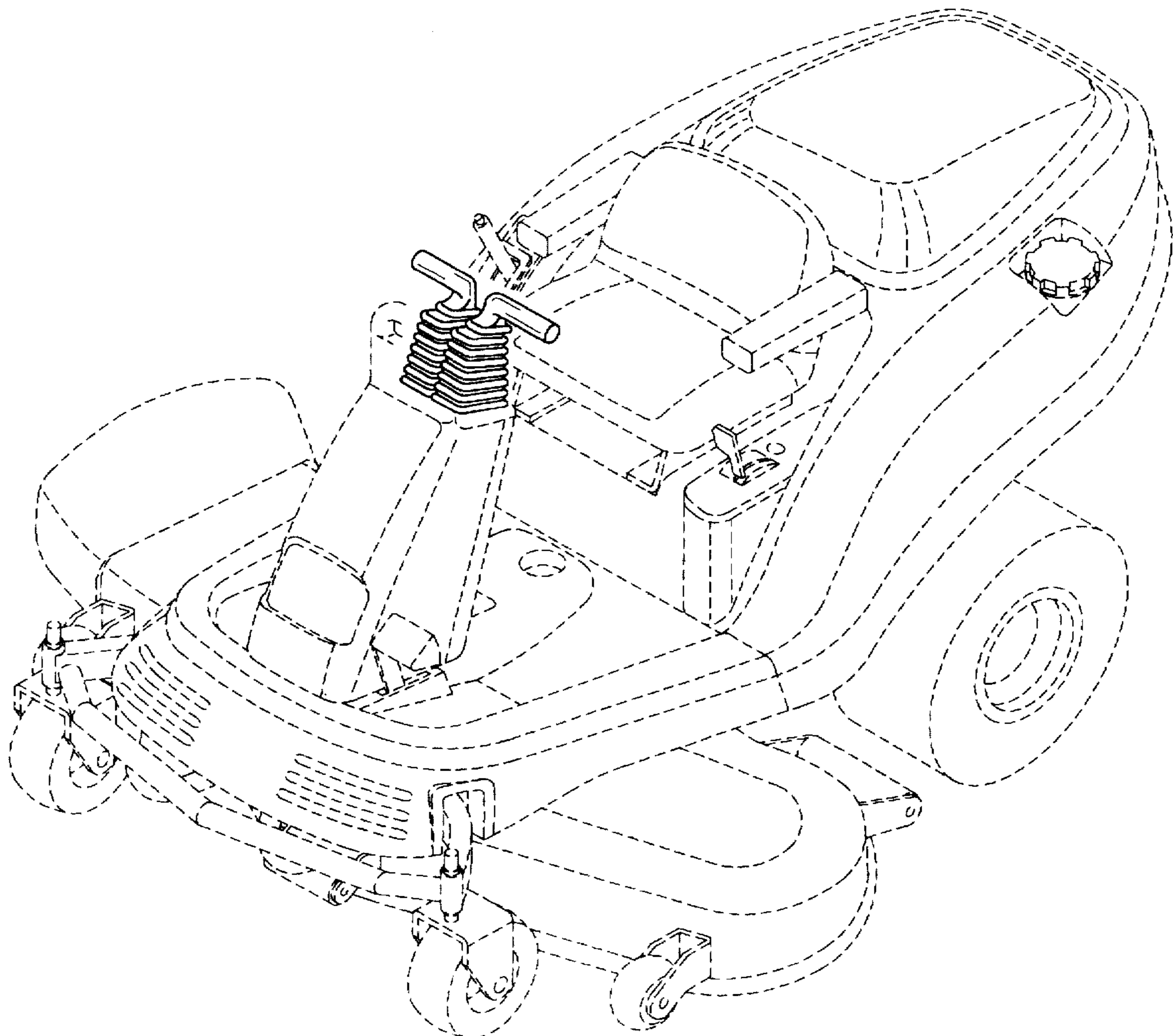
FIG. 4 is a left side elevational view thereof;

FIG. 5 is a front view thereof; and,

FIG. 6 is a right side elevational view thereof.

FIGS. 2-6 are shown on an enlarged scale.

1 Claim, 2 Drawing Sheets



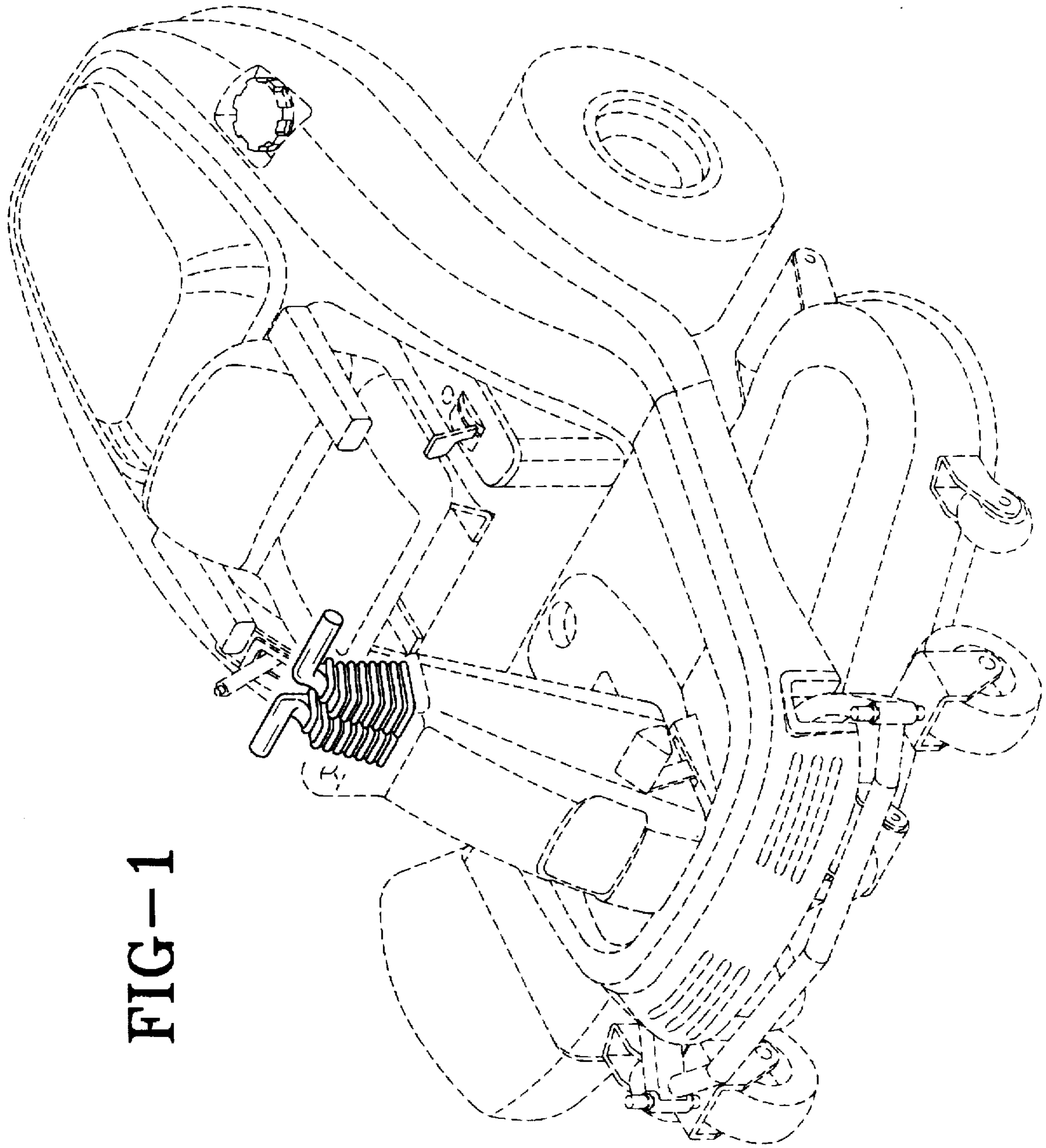


FIG-1

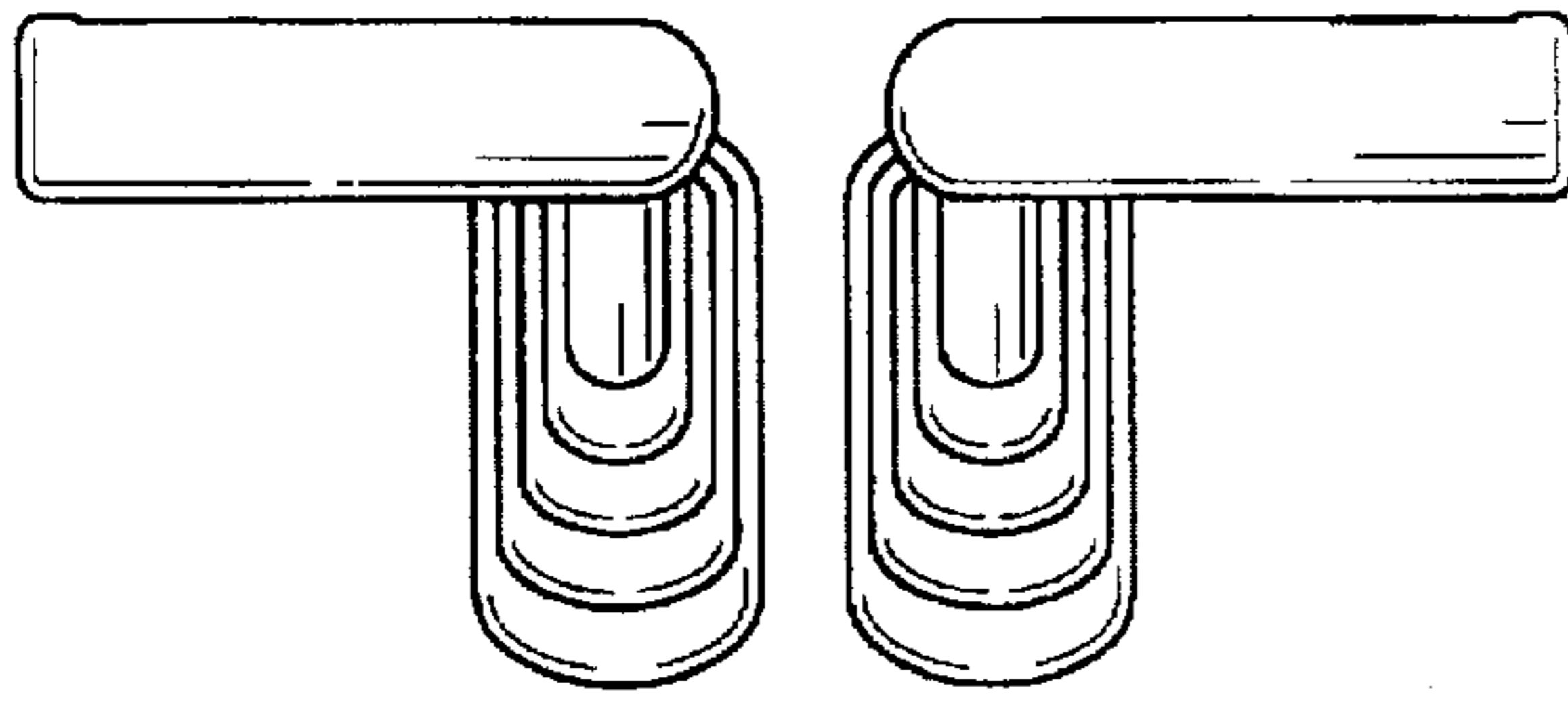


FIG-2

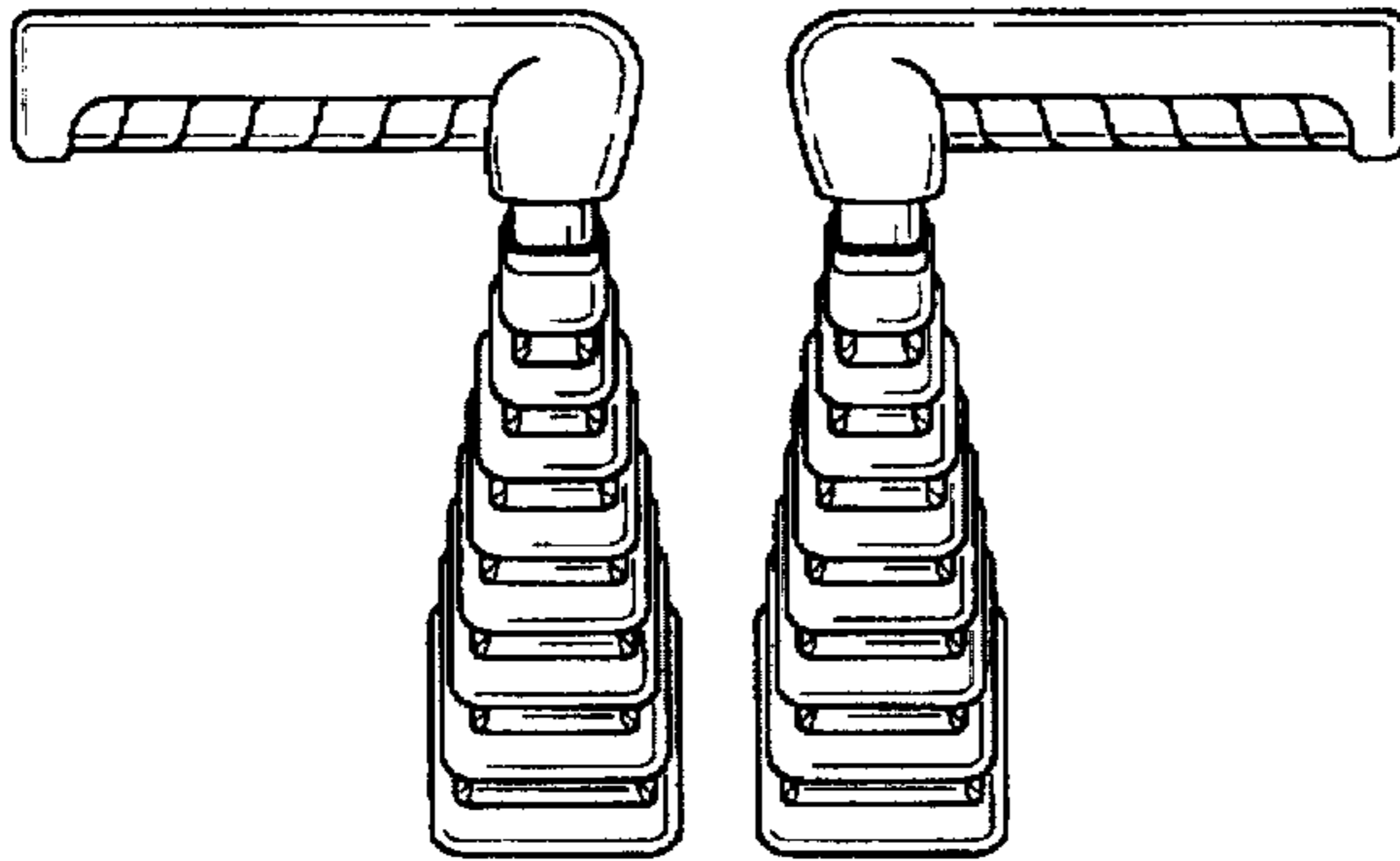


FIG-3

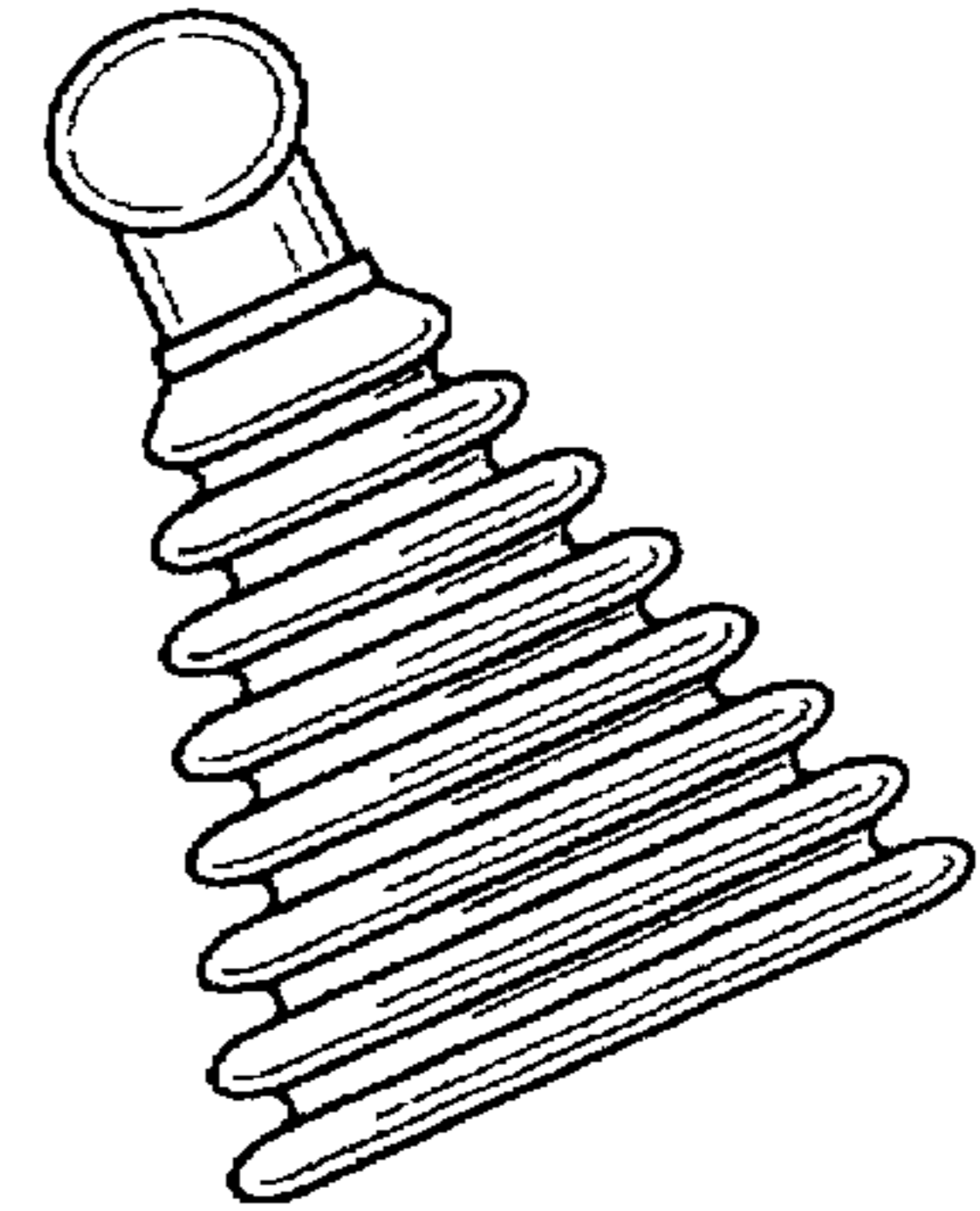


FIG-4

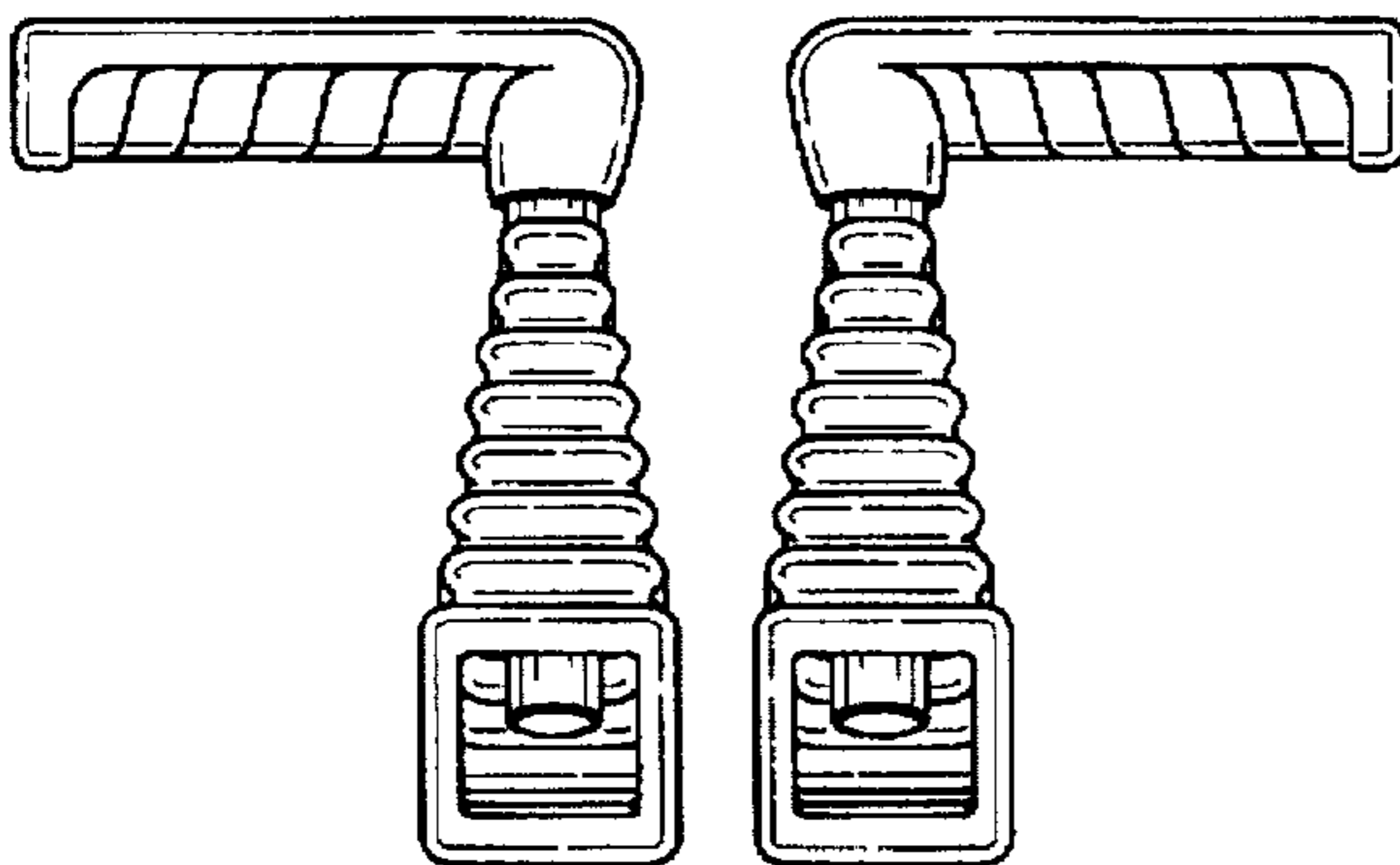


FIG-5

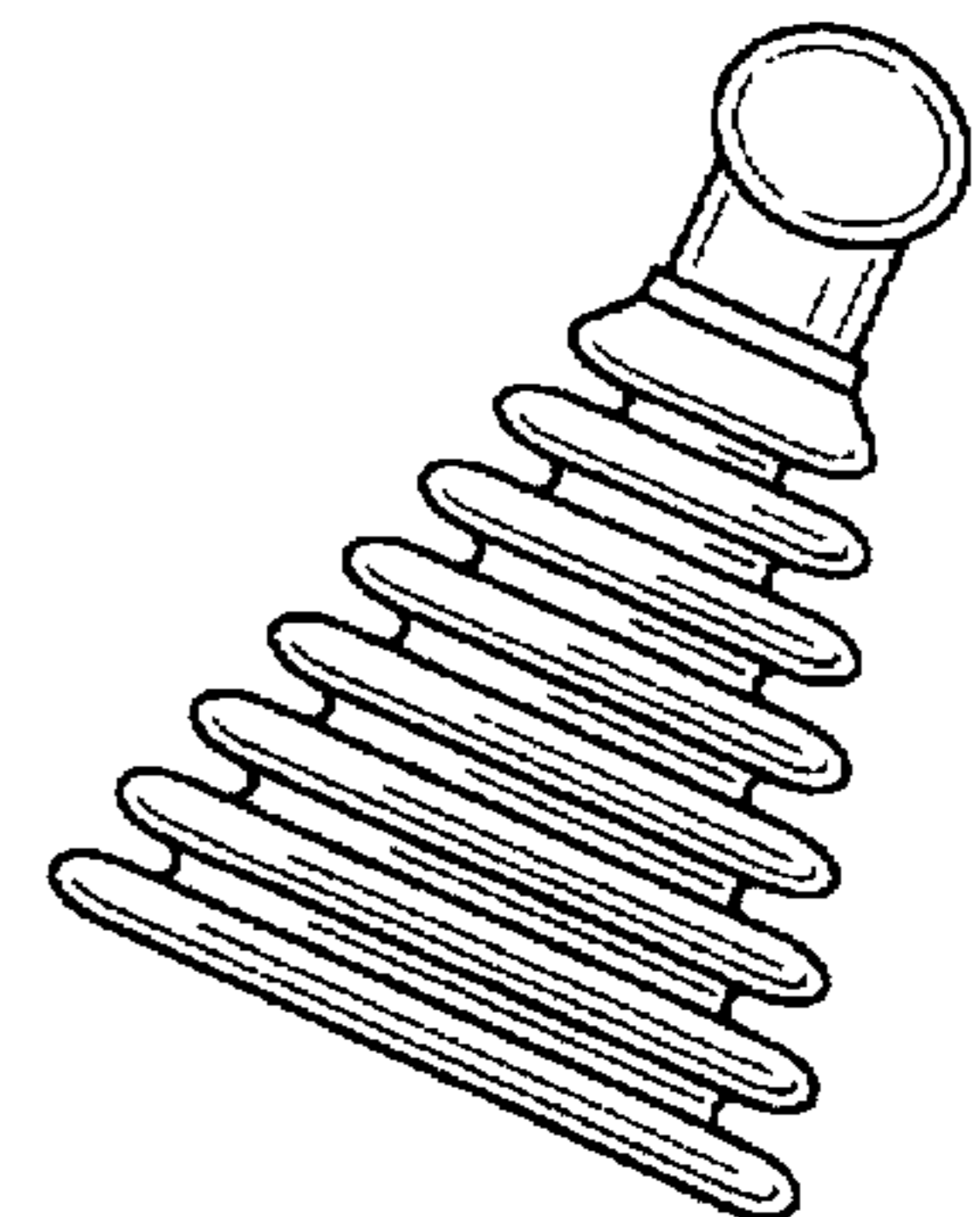


FIG-6