



US00D390227S

**United States Patent** [19]  
**Uchiyama**

[11] **Patent Number:** **Des. 390,227**  
[45] **Date of Patent:** **\*\*Feb. 3, 1998**

[54] **DIGITAL AUDIO DISC PLAYER**  
[75] **Inventor:** **Jun Uchiyama, Tokyo, Japan**  
[73] **Assignee:** **Sony Corporation, Tokyo, Japan**  
[\*\*] **Term:** **14 Years**

*Primary Examiner—James Gandy*  
*Assistant Examiner—Cathron B. Matta*  
*Attorney, Agent, or Firm—Foley & Lardner*

[21] **Appl. No.:** **58,199**  
[22] **Filed:** **Aug. 9, 1996**  
[51] **LOC (6) Cl.** ..... **14-01**  
[52] **U.S. Cl.** ..... **D14/156**  
[58] **Field of Search** ..... **D14/124, 135,**  
**D14/136, 156, 157, 160, 167; 361/679-681,**  
**683, 724; 369/75.1, 75.2, 77.1, 77.2, 213,**  
**270, 6, 7, 11, 12**

[57] **CLAIM**  
The ornamental design for a digital audio disc player, as shown and described.

**DESCRIPTION**

FIG. 1 is a perspective view of a digital disc player showing my new design;  
FIG. 2 is a perspective view thereof wherein the cover portion is in the open position;  
FIG. 3 is a top plan view thereof;  
FIG. 4 is a left side elevational view thereof;  
FIG. 5 is a front elevational view thereof;  
FIG. 6 is a bottom plan view thereof;  
FIG. 7 is a right side elevational view thereof; and,  
FIG. 8 is a rear elevational view thereof.

[56] **References Cited**  
**U.S. PATENT DOCUMENTS**  
D. 321,190 10/1991 Ito et al. .... D14/135 X

**1 Claim, 3 Drawing Sheets**

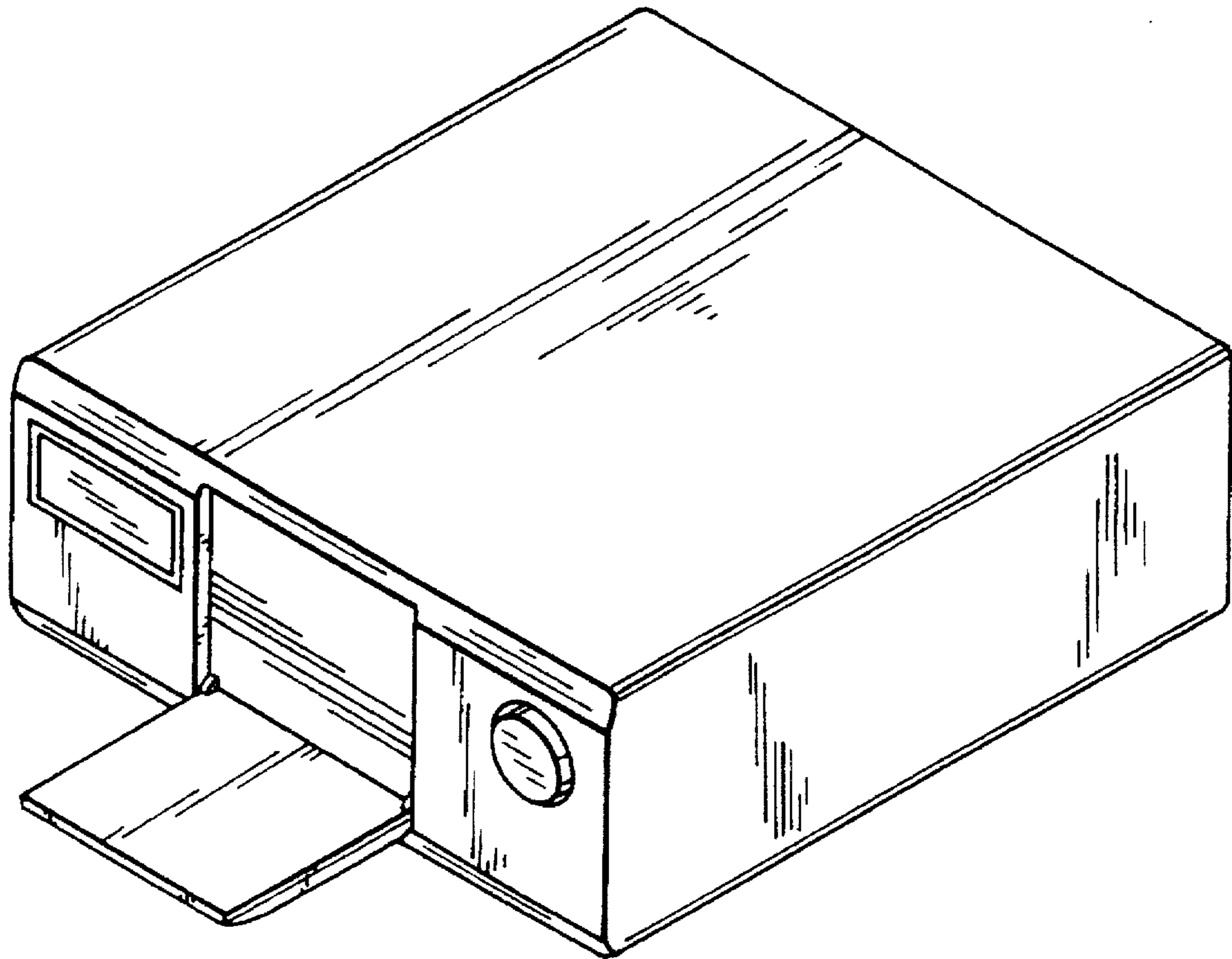


FIG.2

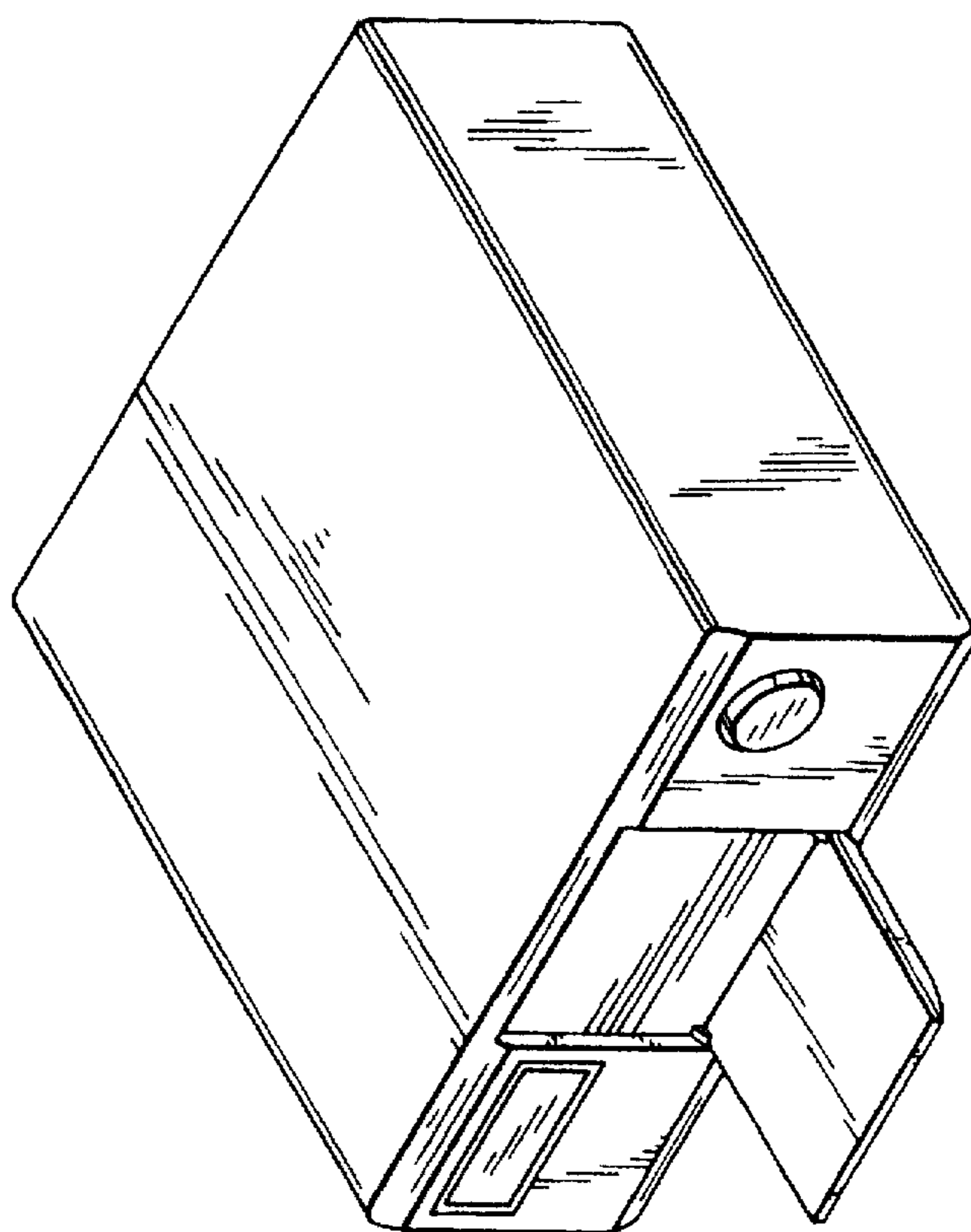


FIG.1

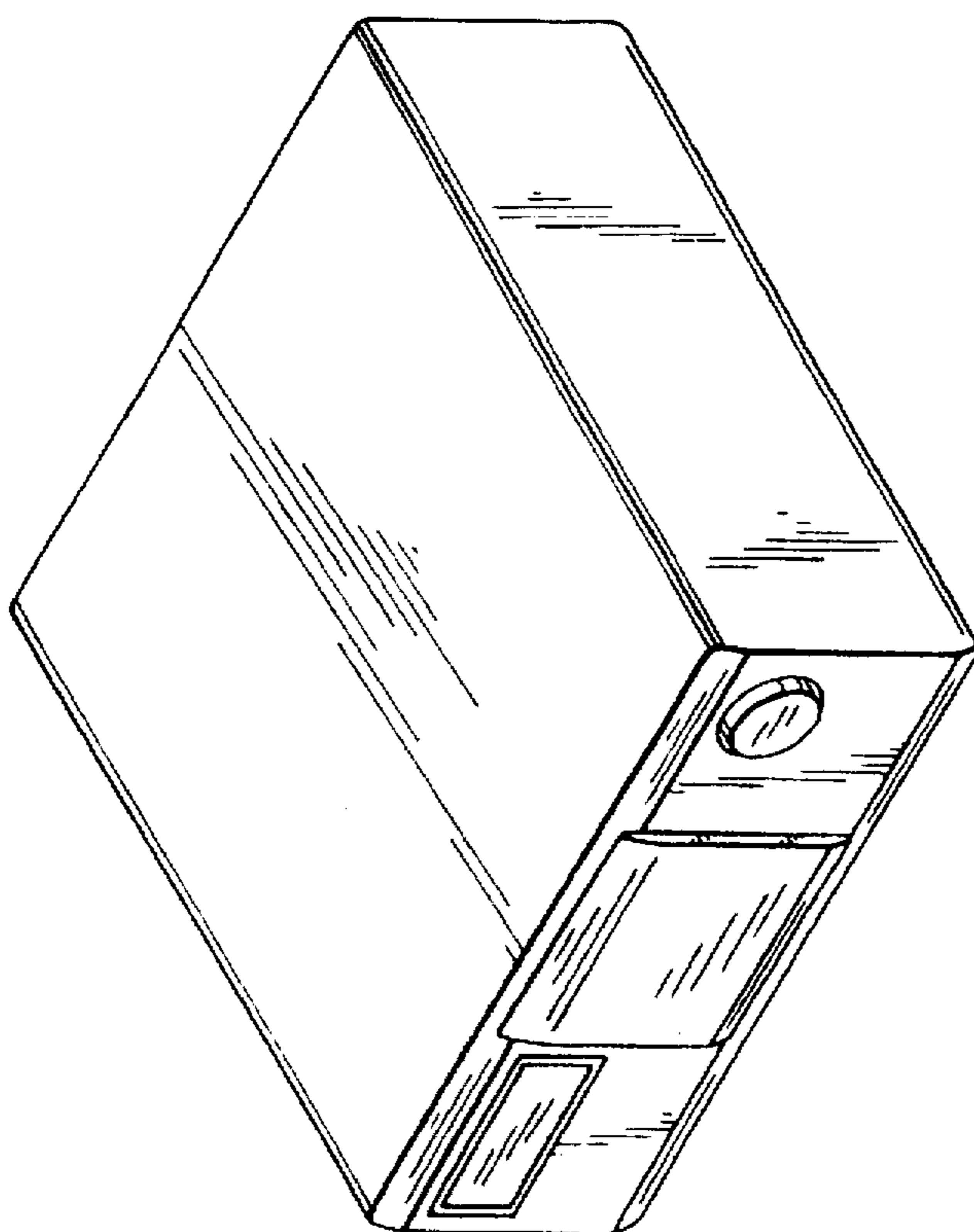


FIG. 3

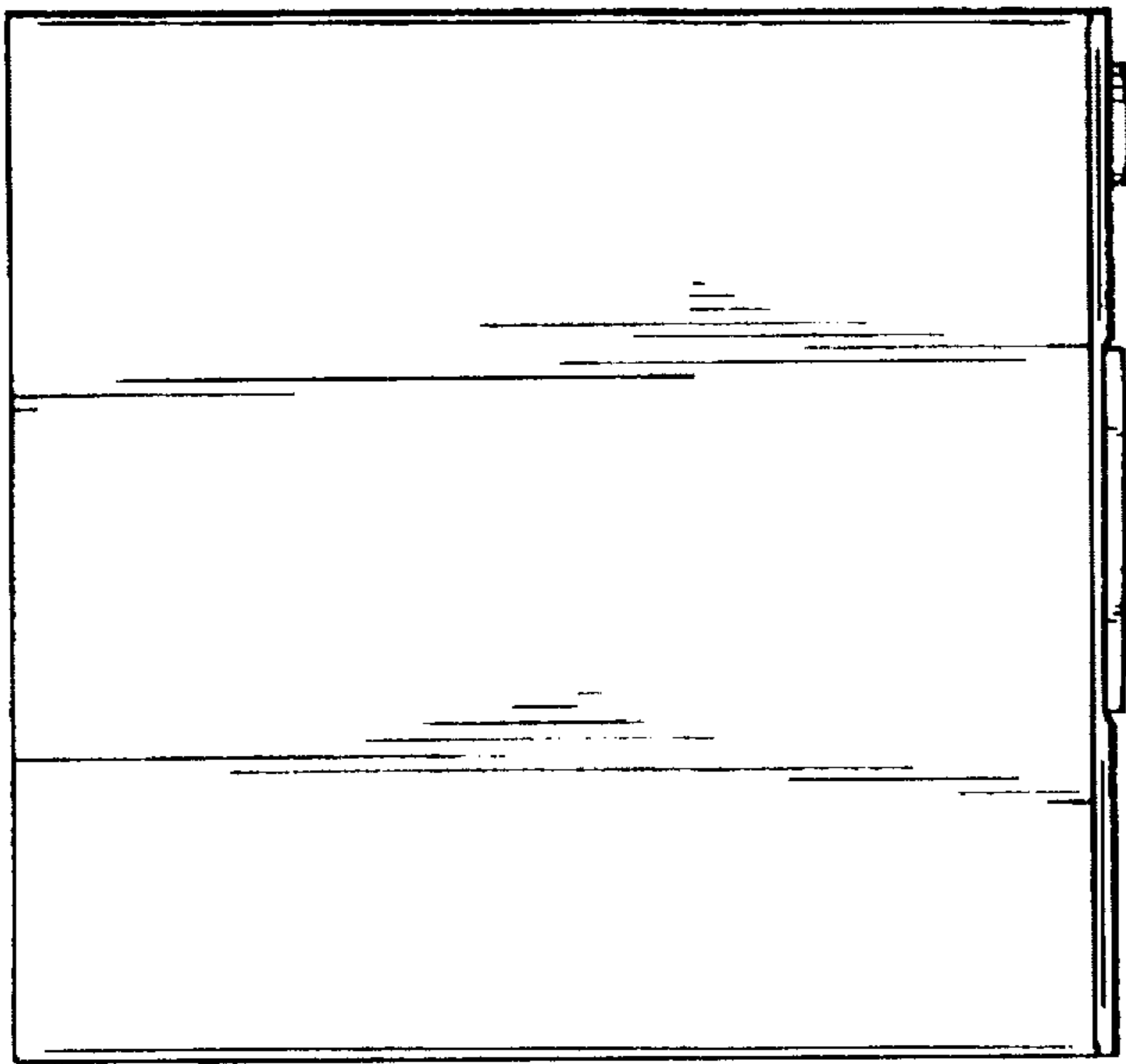


FIG. 5

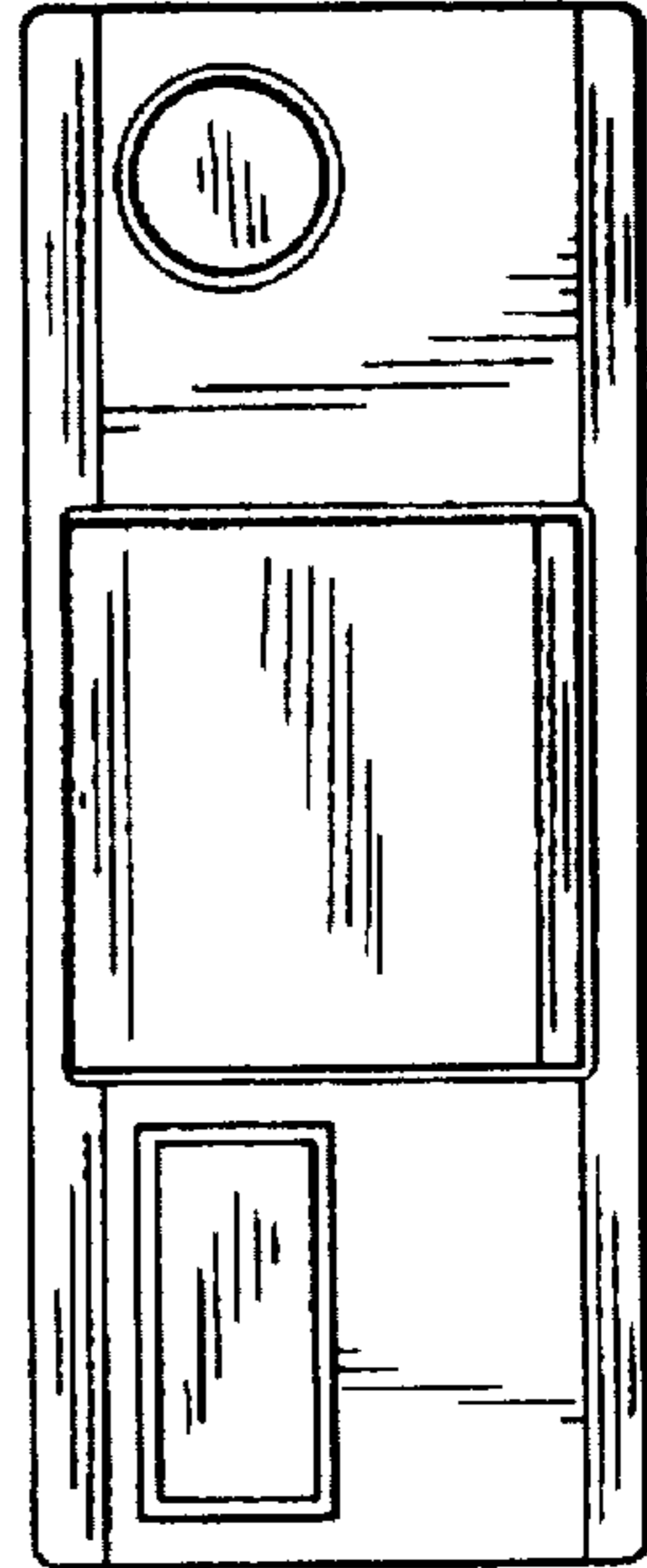


FIG. 4

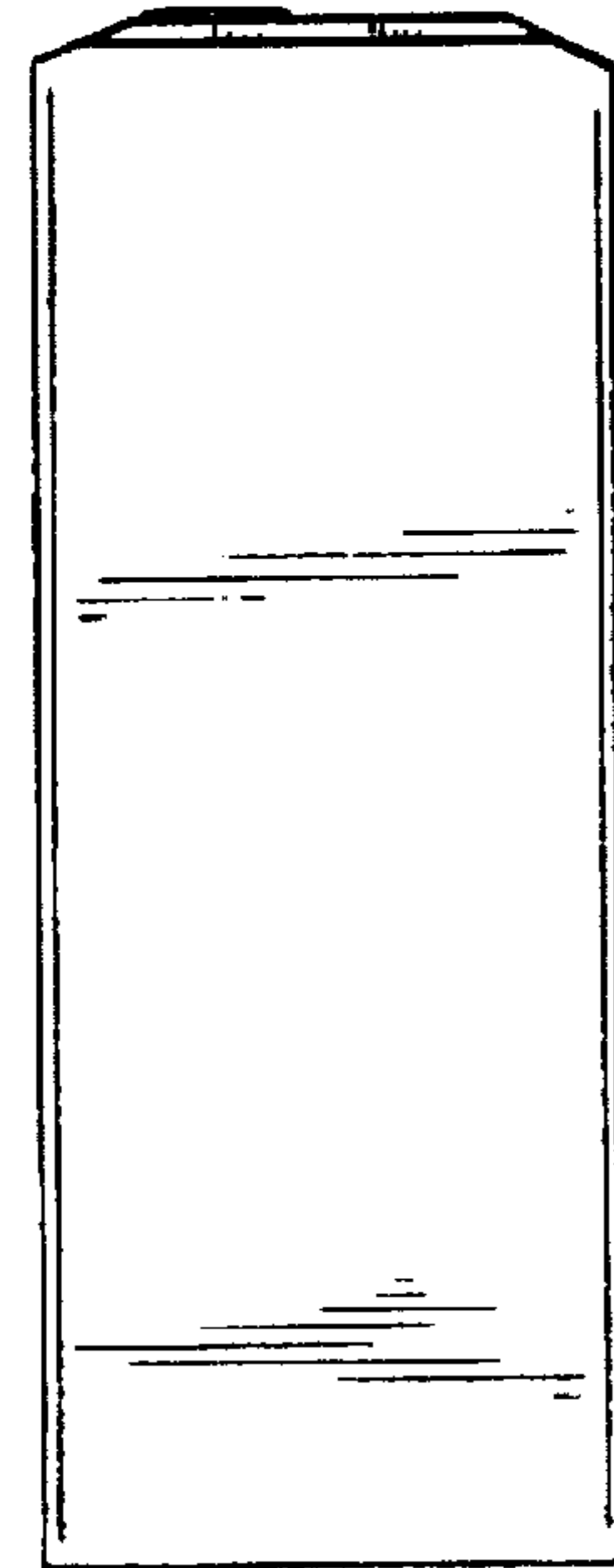


FIG. 6

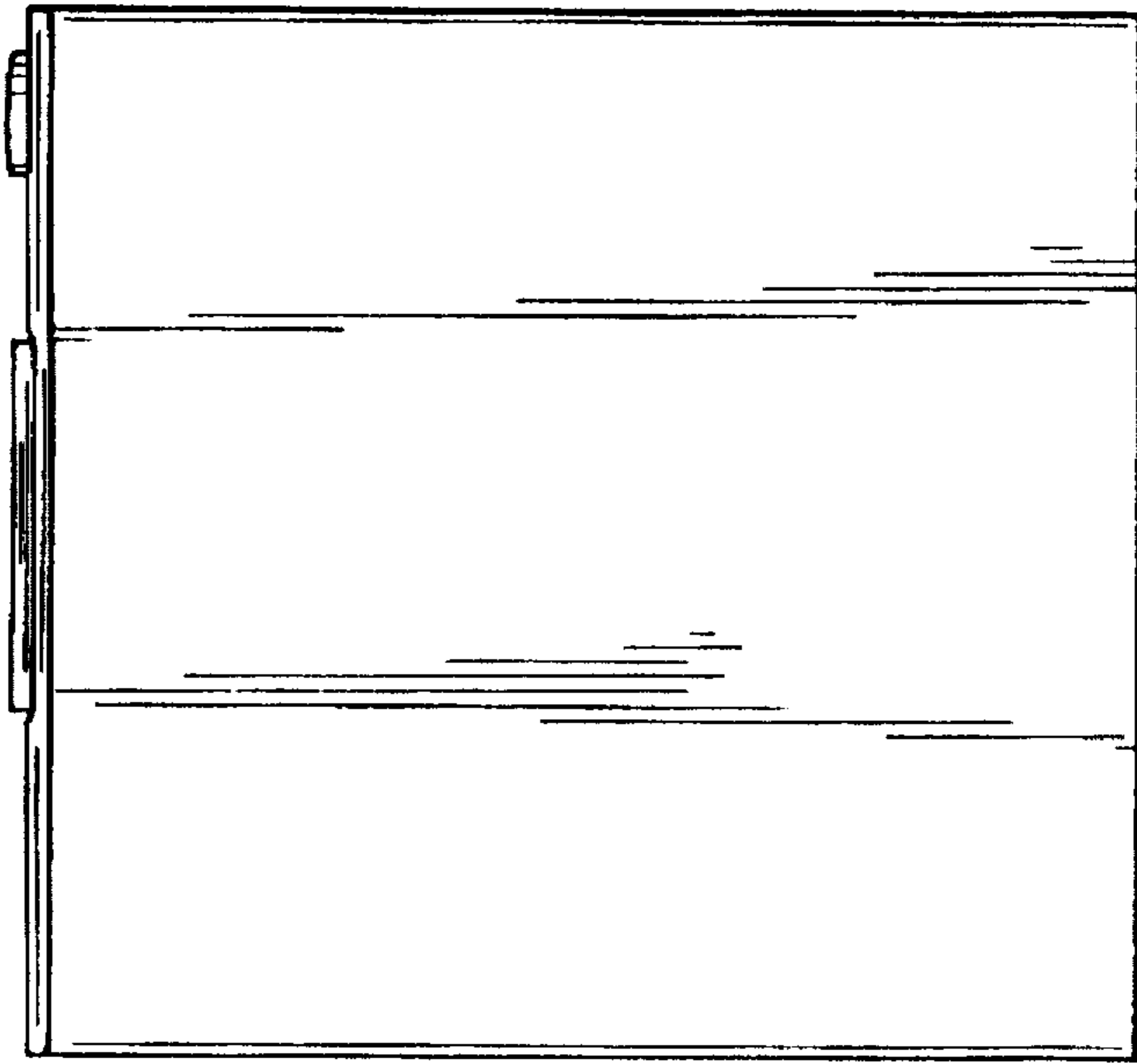


FIG. 7

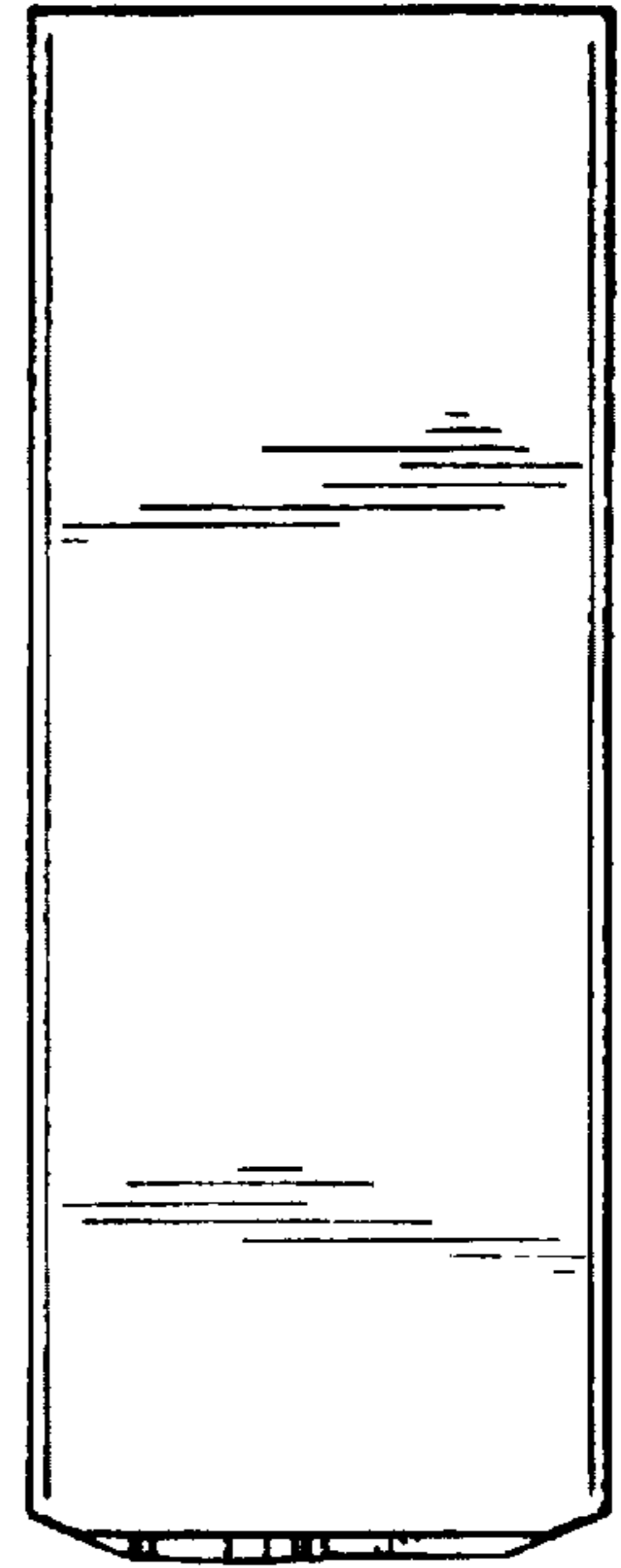


FIG. 8

