



US00D390223S

United States Patent [19]

[11] Patent Number: **Des. 390,223**

Harden et al.

[45] Date of Patent: ****Feb. 3, 1998**

[54] ANSWERING MACHINE TELEPHONE BASE

[75] Inventors: **Daniel Harden**, Palo Alto, Calif.;
Hiroto Teranishi, Binghamton, N.Y.;
Tan Cheng Hoe, Singapore, Singapore

[73] Assignee: **Astralink Technology Pte Ltd.**,
Singapore, Singapore

[**] Term: **14 Years**

[21] Appl. No.: **70,347**

[22] Filed: **May 7, 1997**

[51] LOC (6) Cl. **14-03**

[52] U.S. Cl. **D14/141**

[58] Field of Search D14/137, 138,
D14/140, 142, 141, 143, 147-151, 144,
240, 241, 100, 107, 230, 130; 379/419,
420, 428, 440, 434-436, 67, 70, 88; D21/111,
13, 48; D13/164

[56] References Cited

U.S. PATENT DOCUMENTS

D. 276,220 11/1984 Wits et al. D13/164 X
D. 283,892 5/1986 Cutler D14/137

D. 298,318 11/1988 Doi D14/144 X
D. 317,756 6/1991 Fabri D14/100
D. 339,341 9/1993 Allen D14/151 X
D. 355,187 2/1995 Danielson et al. D14/141
D. 355,192 2/1995 Chang D14/151
D. 365,347 12/1995 Geneve et al. D14/230
D. 372,435 8/1996 Bellomo et al. D14/149 X
D. 373,127 8/1996 Godee et al. D14/148
D. 373,581 9/1996 Solomita et al. D14/141
D. 376,799 12/1996 Godee et al. D14/150

Primary Examiner—Jeffrey Asch

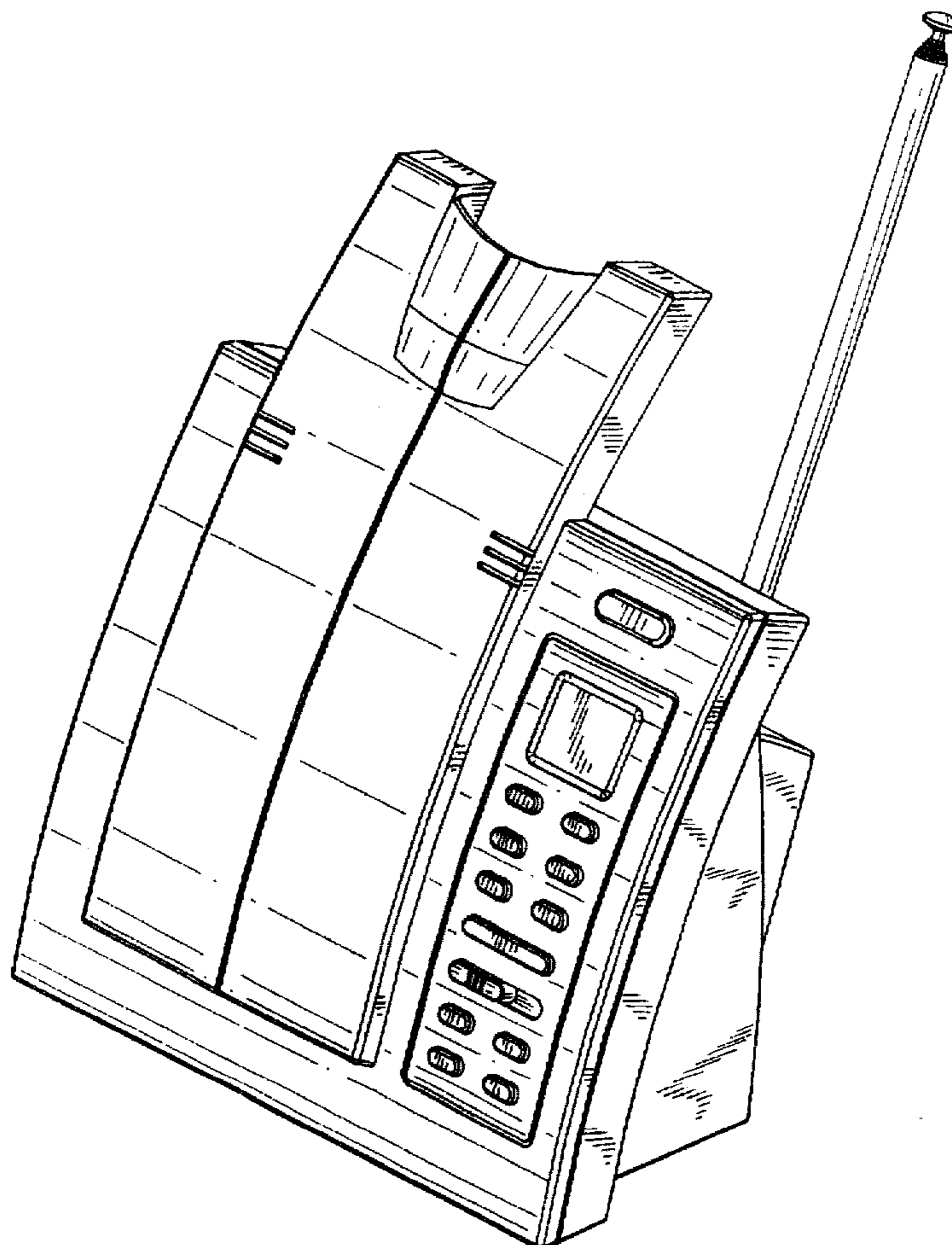
[57] CLAIM

The ornamental design for an answering machine telephone base, as shown.

DESCRIPTION

FIG. 1 is a left side elevational view, showing our new design;
FIG. 2 is a front elevational view thereof;
FIG. 3 is a top plan view thereof;
FIG. 4 is a right side elevational view thereof;
FIG. 5 is a bottom plan view thereof;
FIG. 6 is a rear elevational view thereof; and,
FIG. 7 is a top, front perspective view thereof.

1 Claim, 4 Drawing Sheets



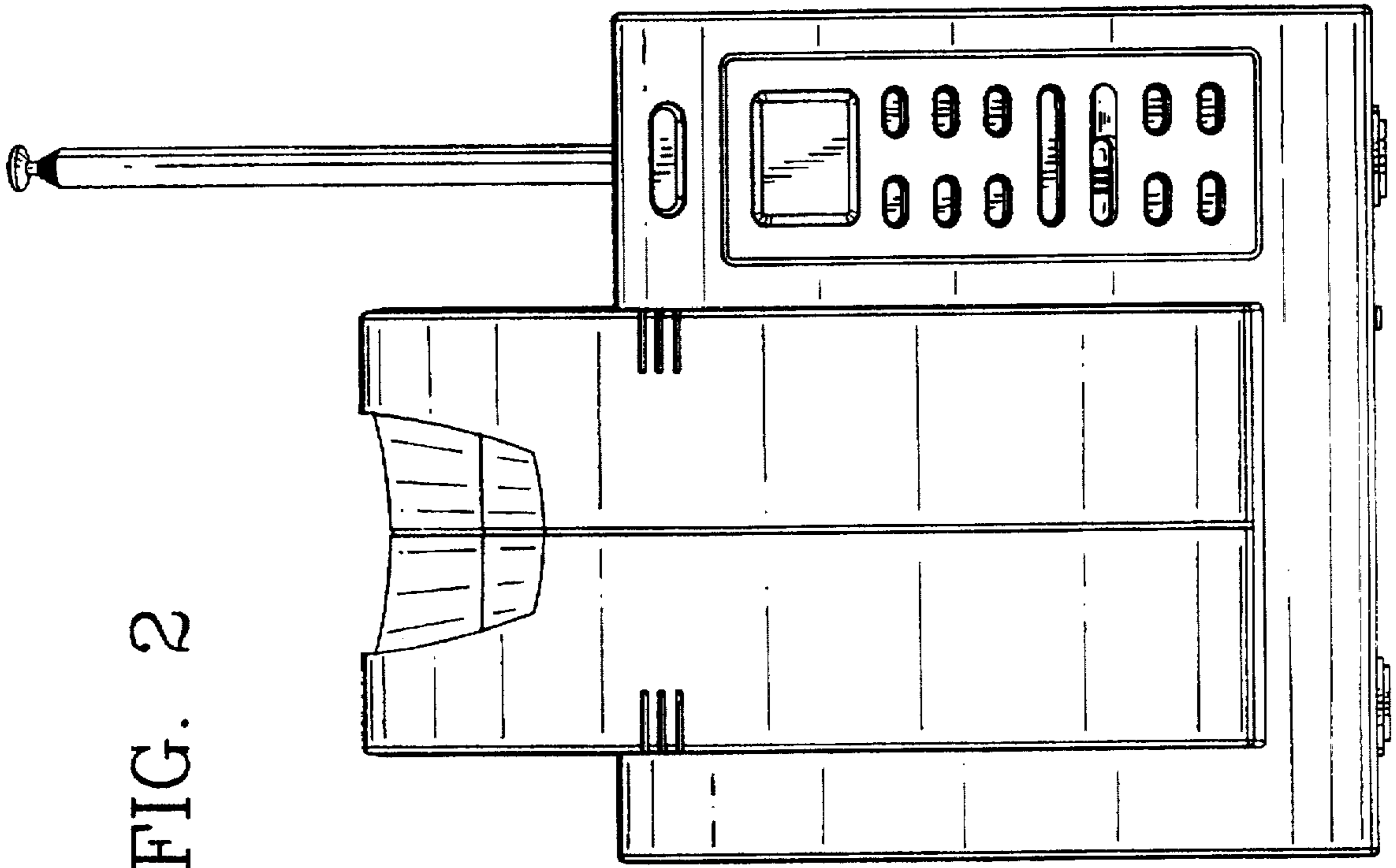


FIG. 2

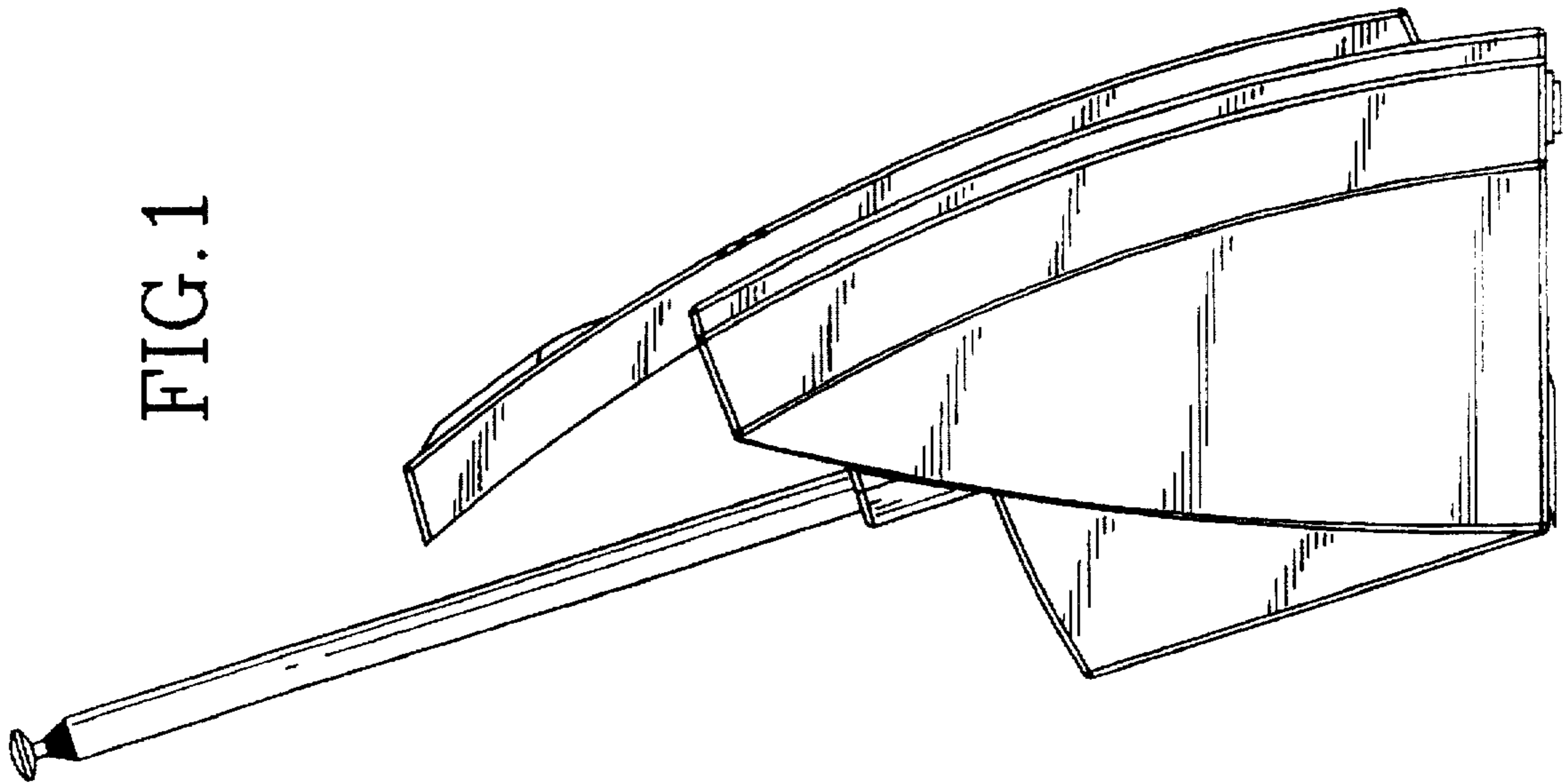


FIG. 1

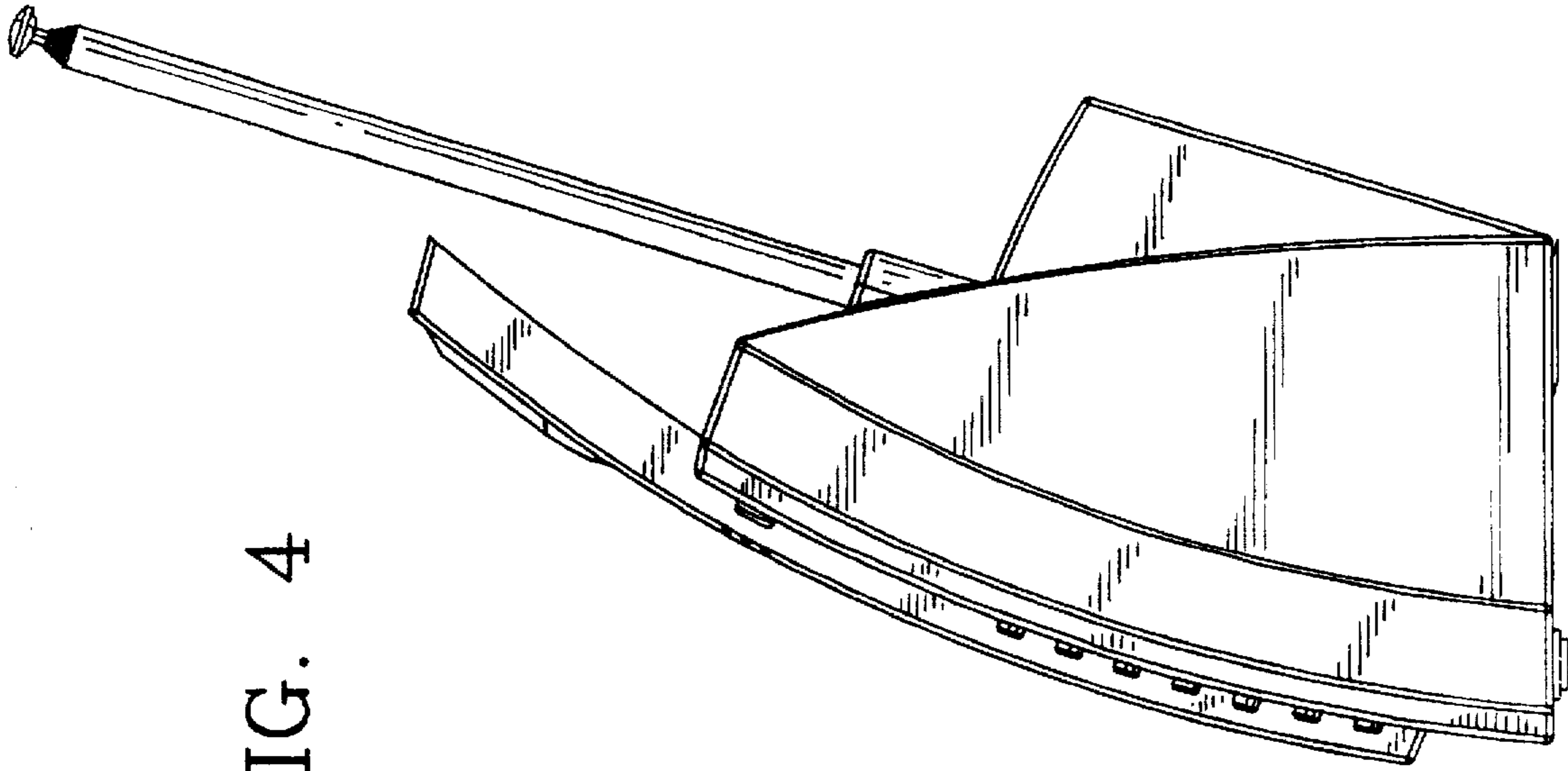


FIG. 4

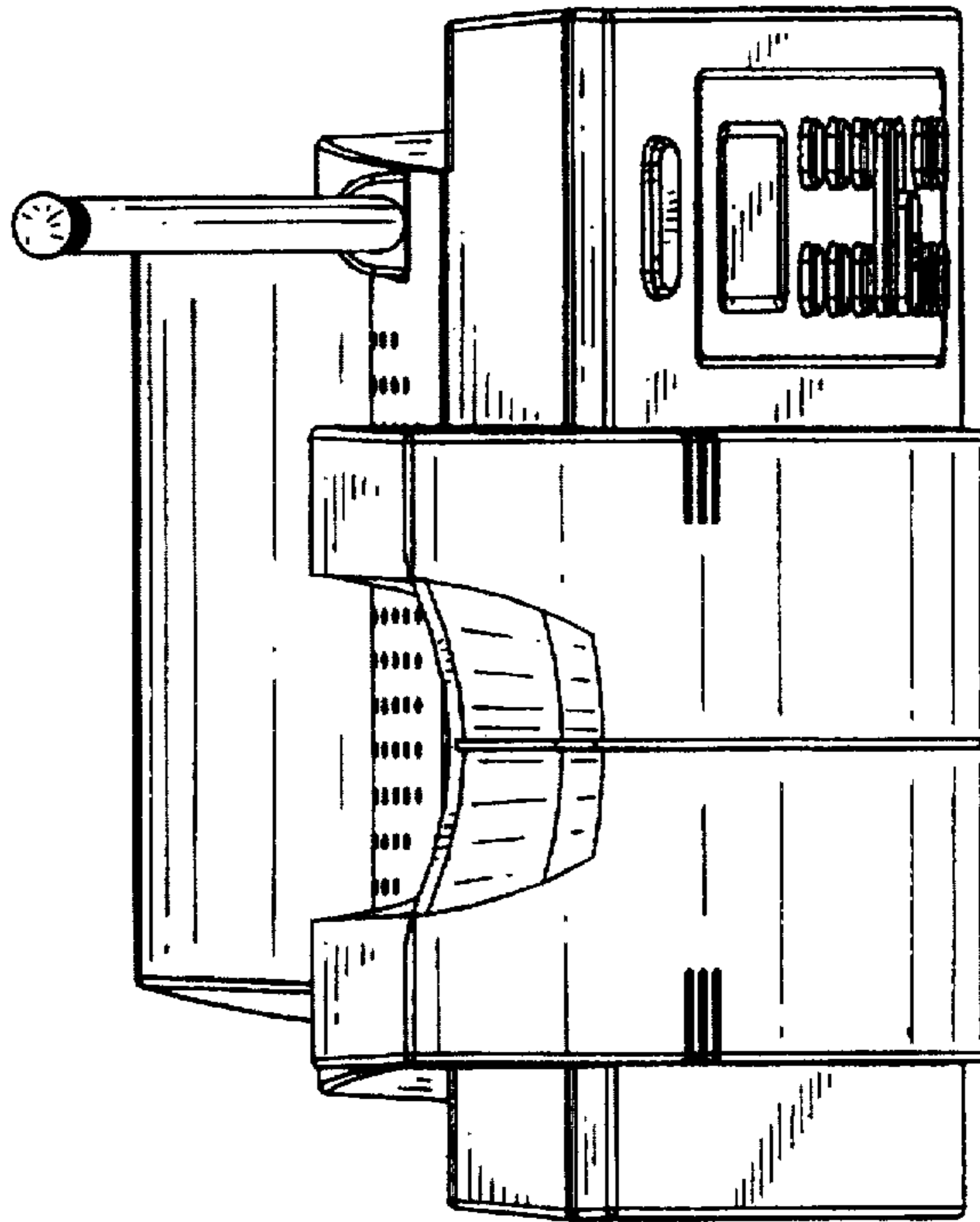


FIG. 3

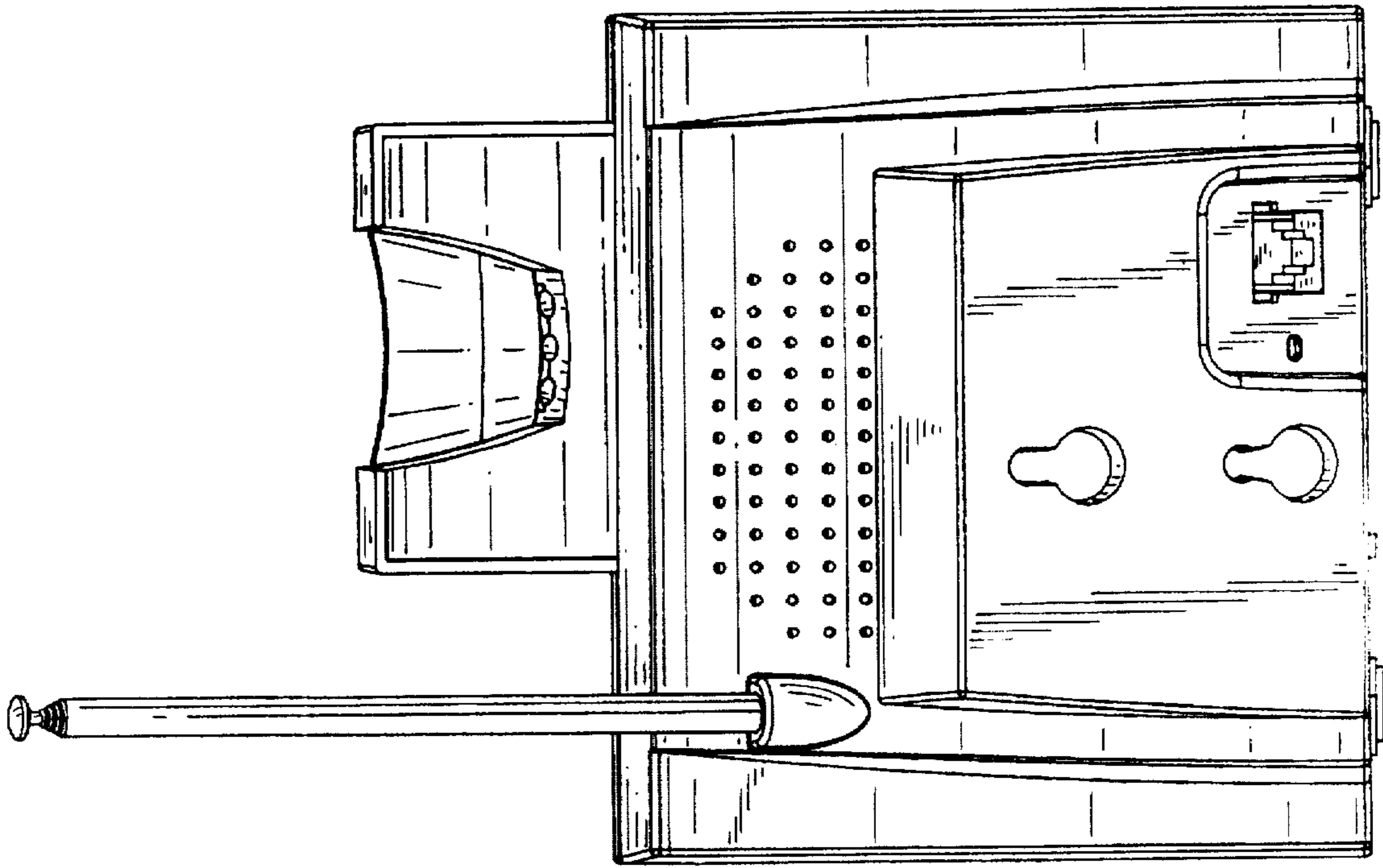


FIG. 6

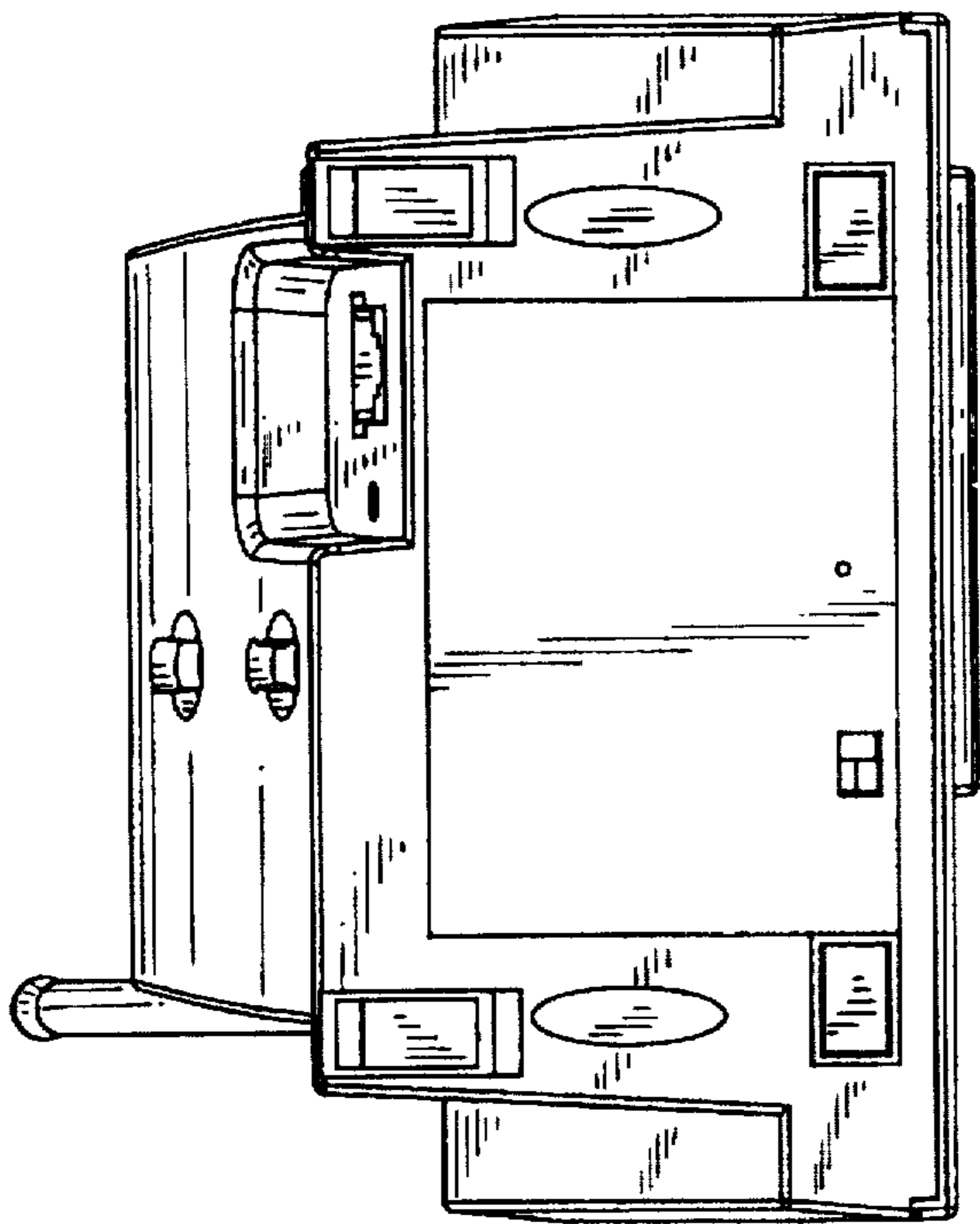


FIG. 5

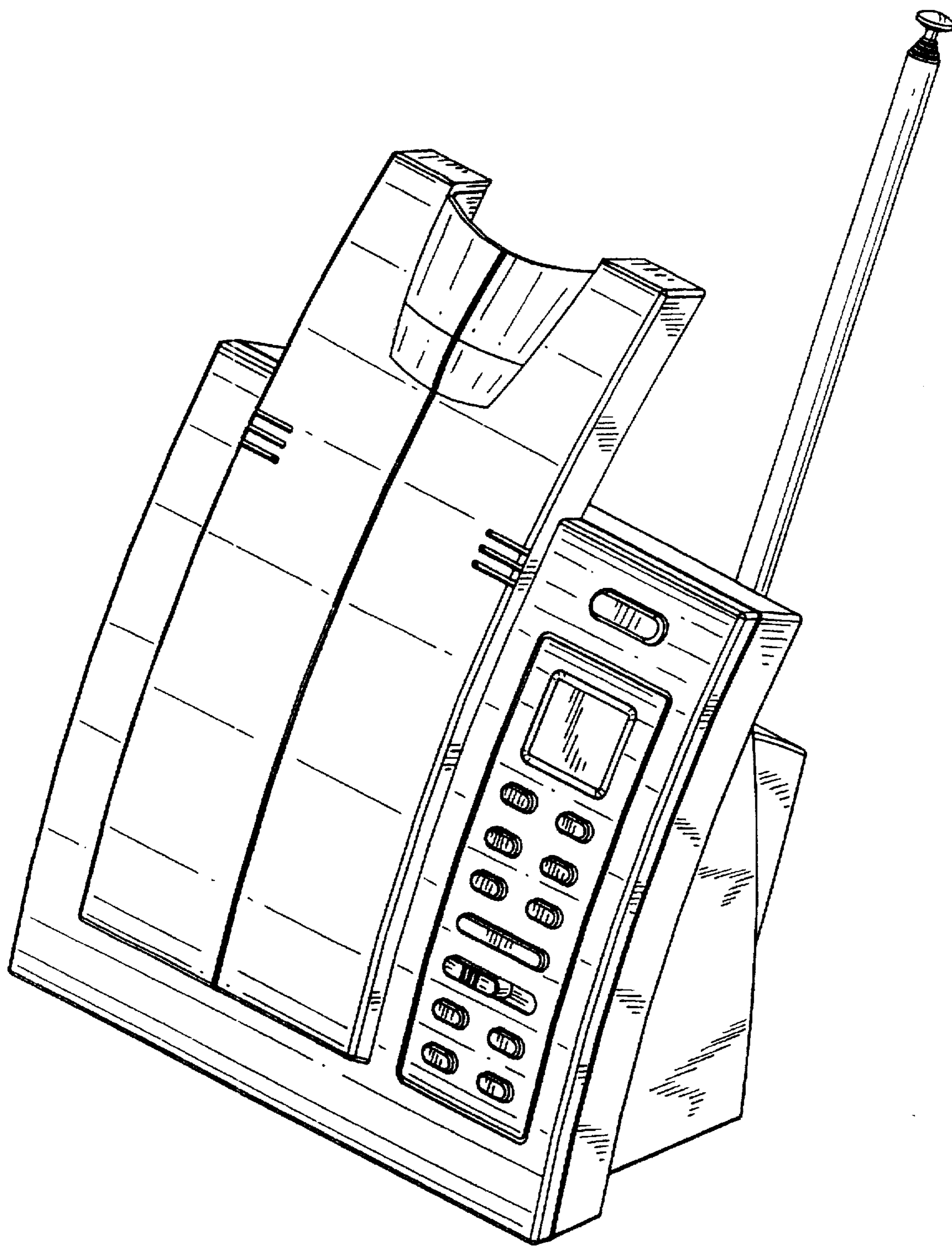


FIG. 7