



US00D390220S

United States Patent [19]
Matsuoka

[11] **Patent Number:** **Des. 390,220**
[45] **Date of Patent:** ****Feb. 3, 1998**

[54] **DISC RECORDER**

5,337,464 8/1994 Steffes 364/708.1 X
5,593,220 1/1997 Seid et al. 361/724 X

[75] **Inventor:** **Yoshimichi Matsuoka, Tokyo, Japan**

OTHER PUBLICATIONS

[73] **Assignee:** **Sony Corporation, Tokyo, Japan**

“Sony Style”, CDX-U606, p. 133, Summer 1993.

[**] **Term:** **14 Years**

Primary Examiner—James Gandy
Assistant Examiner—Cathron B. Matta
Attorney, Agent, or Firm—Foley & Lardner

[21] **Appl. No.:** **58,655**

[22] **Filed:** **Aug. 20, 1996**

[57] **CLAIM**

[51] **LOC (6) Cl.** **14-01**

The ornamental design for a disc recorder, as shown and described.

[52] **U.S. Cl.** **D14/136**

[58] **Field of Search** D14/124, 135,
D14/136, 156, 157, 160, 167; 361/379-681,
683, 724; 369/75.1, 75.2, 77.1, 77.2, 213,
270, 6, 7, 11, 12

DESCRIPTION

FIG. 1 is a perspective view of a disc recorder showing my new design;
FIG. 2 is a top plan view thereof;
FIG. 3 is a left side elevational view thereof;
FIG. 4 is a front elevational view thereof;
FIG. 5 is a bottom plan view thereof;
FIG. 6 is a right side elevational view thereof; and,
FIG. 7 is a rear elevational view thereof.

[56] **References Cited**

U.S. PATENT DOCUMENTS

D. 339,123	9/1993	Kasama et al.	D14/135
D. 360,883	8/1995	Ito et al.	D14/107
D. 368,908	4/1996	Ikenaga	D14/156
D. 375,488	11/1996	Ikenaga	D14/107

1 Claim, 2 Drawing Sheets

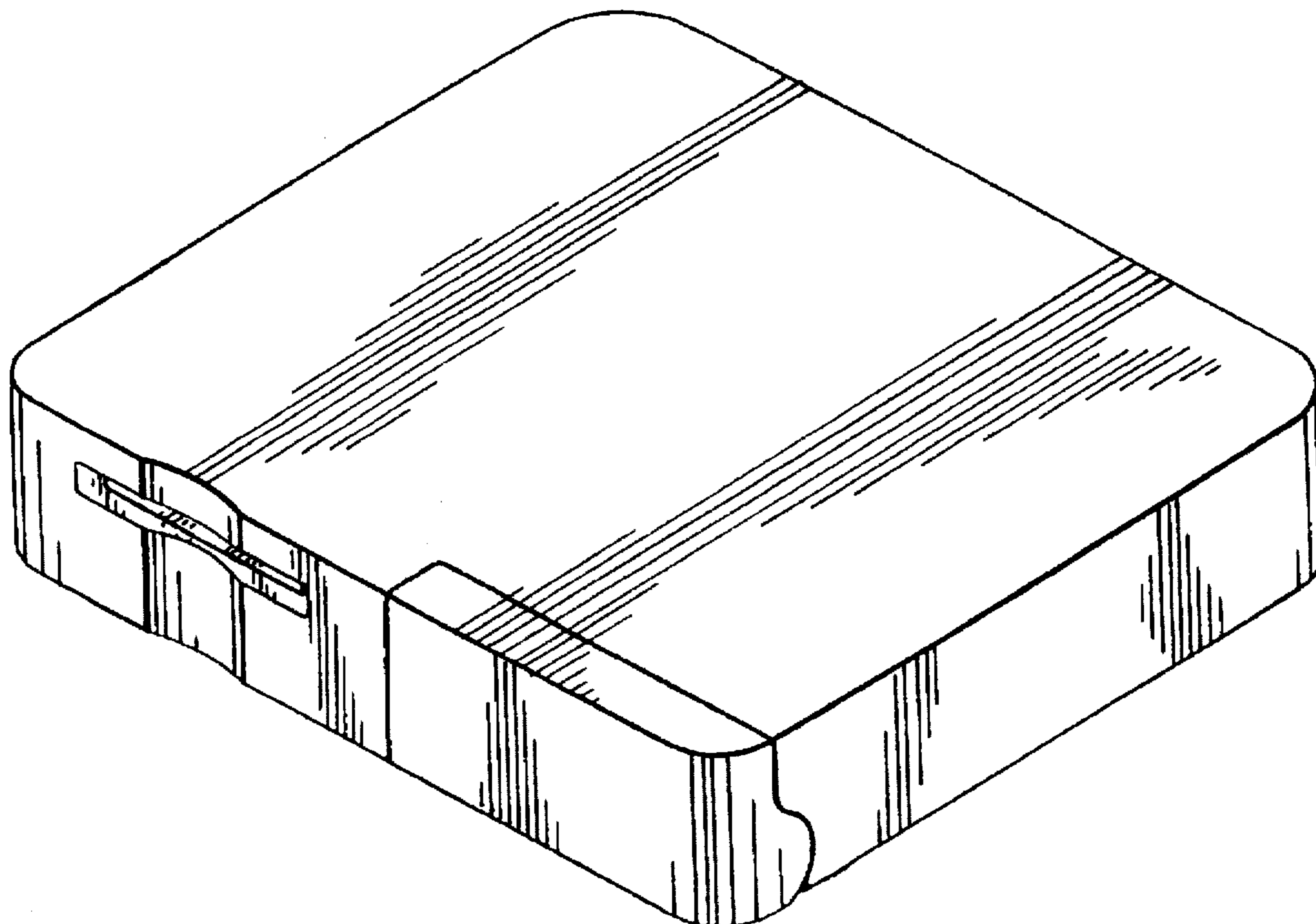


FIG. 1

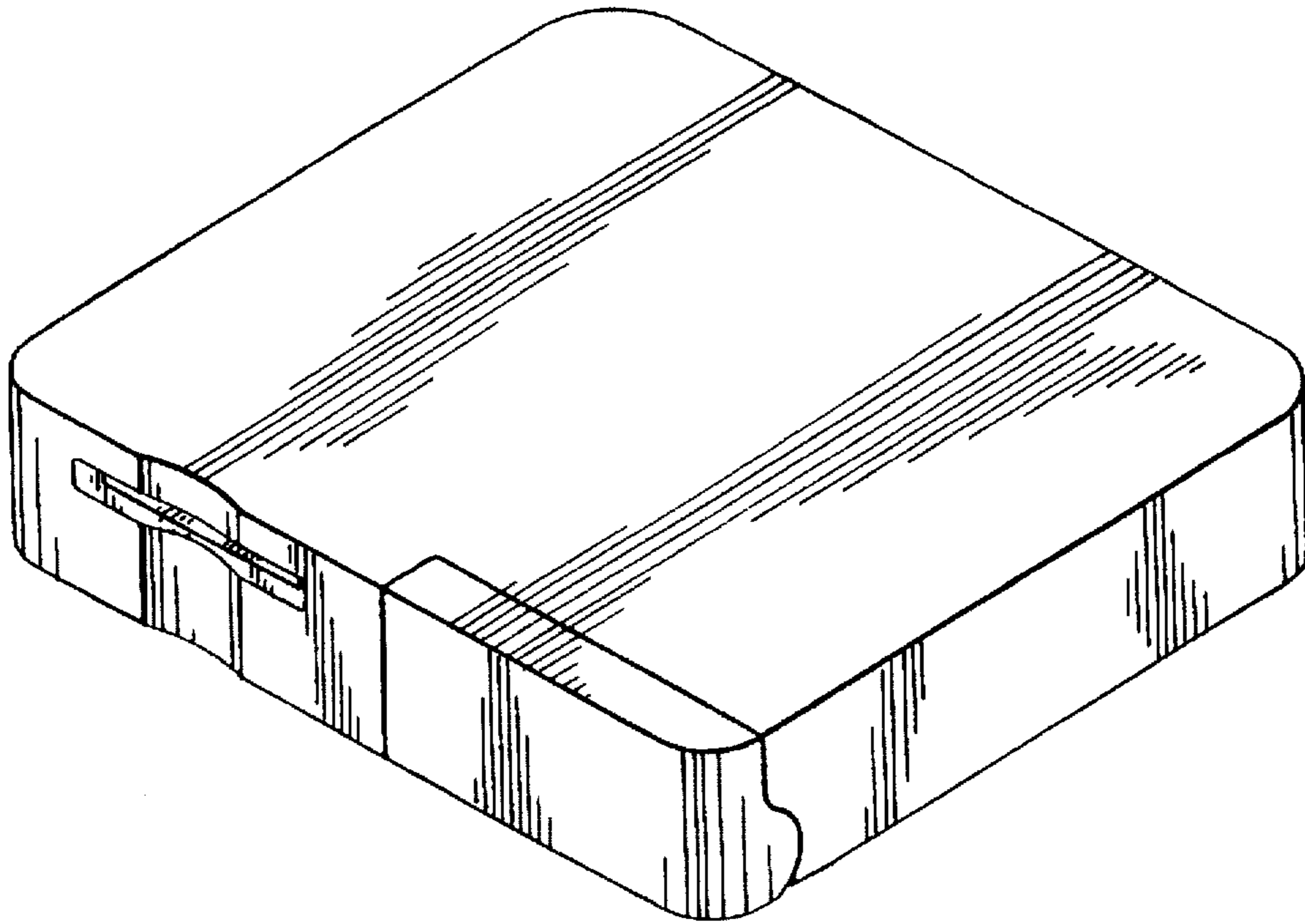


FIG. 2

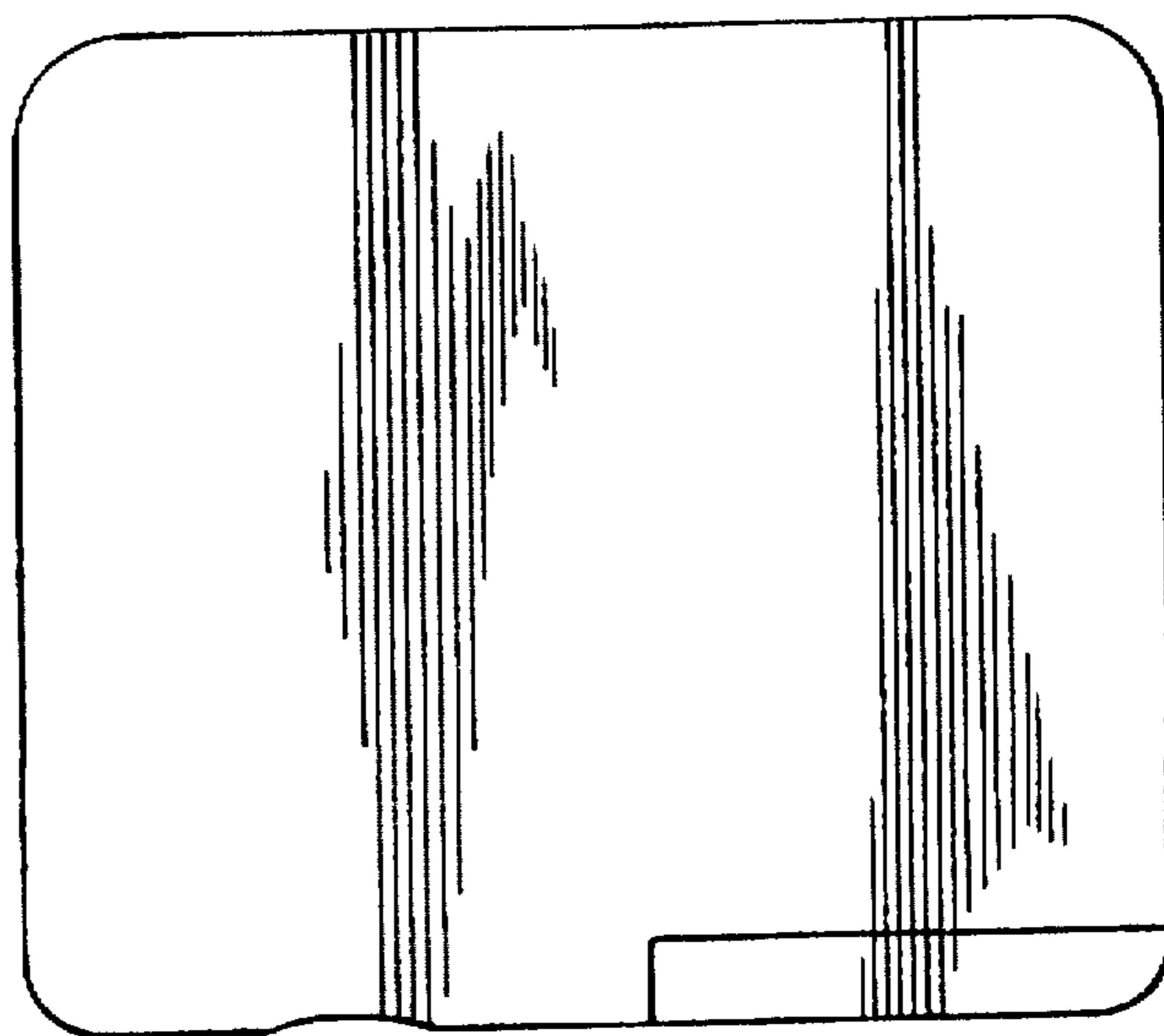


FIG. 3

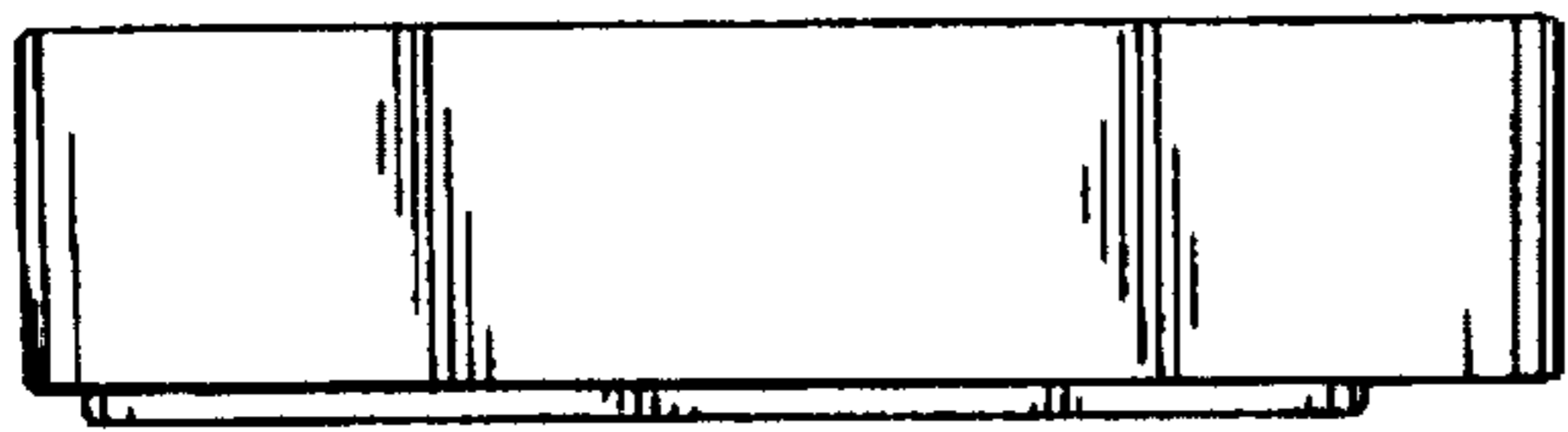


FIG. 4

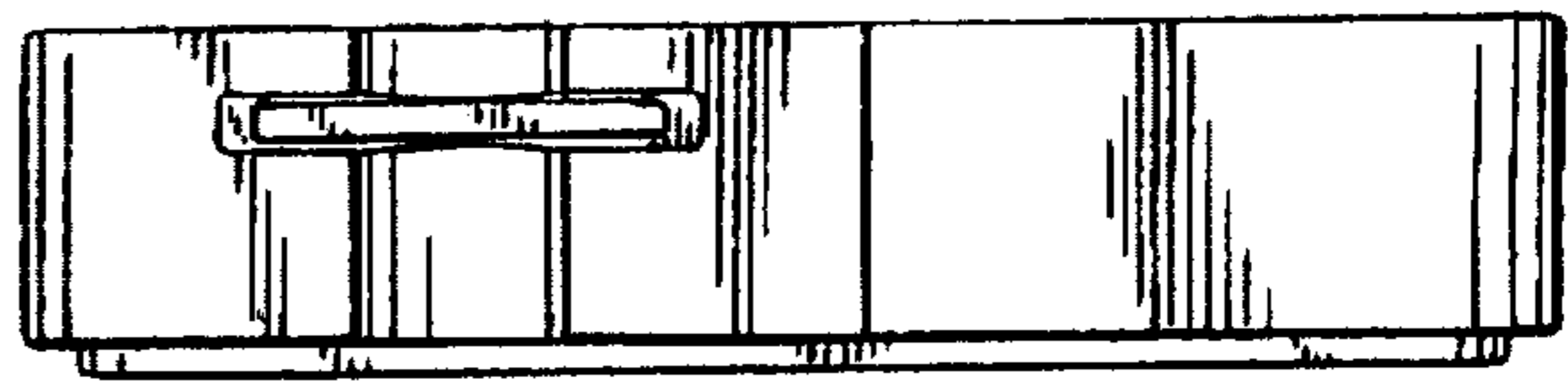


FIG. 5

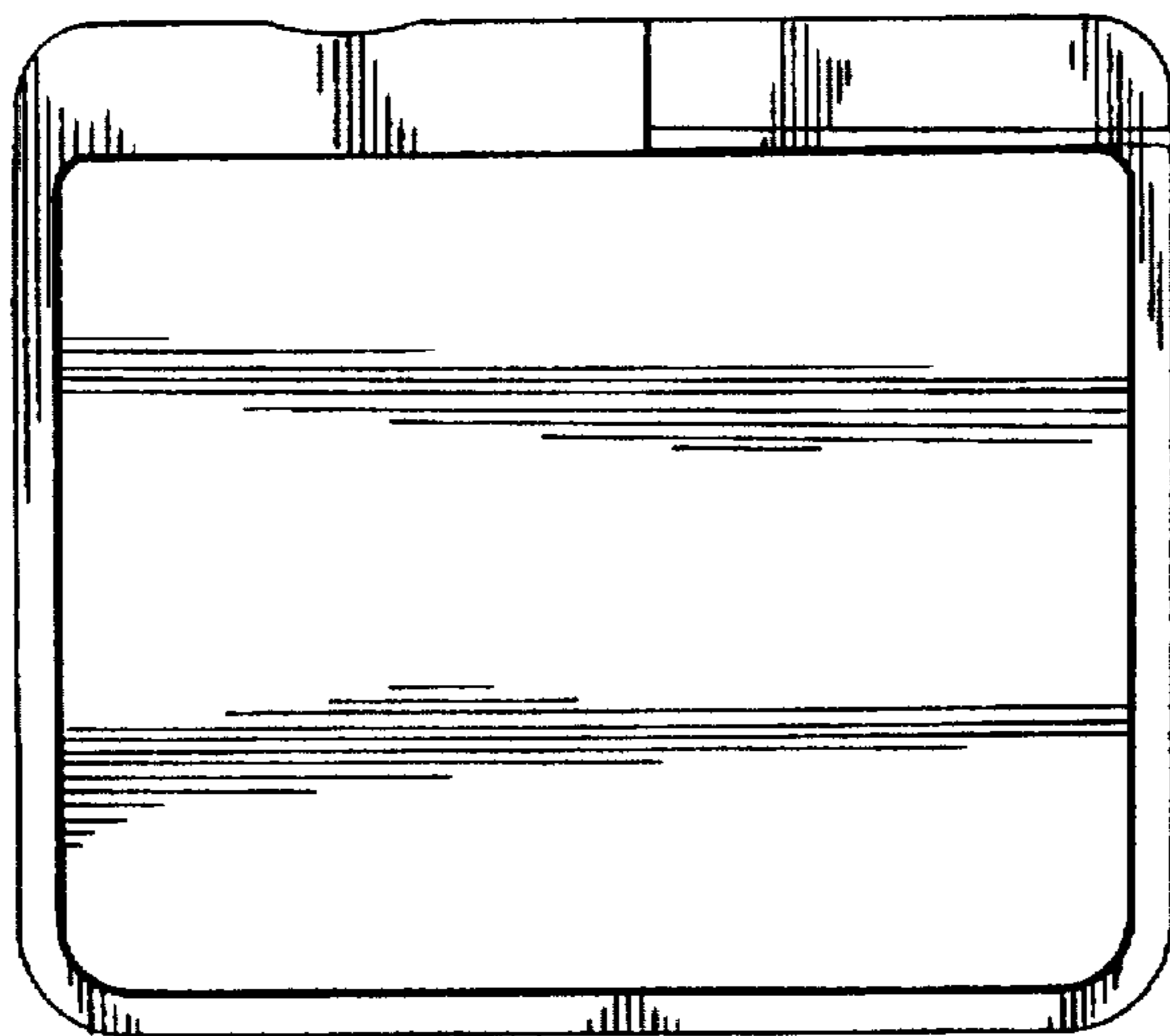


FIG. 6



FIG. 7

