



US00D390218S

United States Patent [19]

[11] Patent Number: **Des. 390,218**

Meisner et al.

[45] Date of Patent: ****Feb. 3, 1998**

[54] TELEVISION RECEIVER/COMPUTER MONITOR HAVING HINGED DOORS

[75] Inventors: **Edward Herman Meisner**, Short Hills; **Michael Patrick Ballone**, New Providence, both of N.J.; **Keith Kristiansen**, Stratford, Conn.

[73] Assignee: **Samsung Electronics Co., Ltd.**, Kyungki-do, Rep. of Korea

[**] Term: **14 Years**

[21] Appl. No.: **54,529**

[22] Filed: **May 16, 1996**

[51] LOC (6) Cl. **14-03**

[52] U.S. Cl. **D14/132; D14/113**

[58] Field of Search **D14/113, 124-134; 348/825, 836, 838; 312/7.2**

4,597,470	7/1986	Takagi et al. .
4,696,037	9/1987	Fierens .
4,769,634	9/1988	Killian, Jr. et al. .
5,119,421	6/1992	Reime .
5,138,462	8/1992	Skovgaard .
5,214,514	5/1993	Haberkern .
5,216,211	6/1993	Renk, Jr. .
5,243,434	9/1993	Nodama .
5,343,257	8/1994	Kohno et al. .

FOREIGN PATENT DOCUMENTS

2252003 7/1992 United Kingdom .

Primary Examiner—Terry A. Wallace

Assistant Examiner—Richelle Shelton

Attorney, Agent, or Firm—Sughrue, Mion, Zinn, Macpeak & Seas, PLLC

[57] CLAIM

The ornamental design for a television receiver/computer monitor having hinged doors, as shown and described.

DESCRIPTION

FIG. 1 is a front elevational view of a television receiver/computer monitor having hinged doors in an open position showing our new design;

FIG. 2 is a front elevational view of the television receiver/computer monitor having hinged doors with the doors closed;

FIG. 3 is a top plan view thereof;

FIG. 4 is a left side elevational view, the right side being a mirror image thereof without the antenna socket;

FIG. 5 is a rear elevational view thereof;

FIG. 6 is a bottom plan view thereof;

FIG. 7 is a front elevational view of the television receiver/computer monitor having hinged doors with the support stand removed for clarity of illustration; and,

FIG. 8 is a left side elevational view thereof, the right side being a mirror image thereof without the antenna socket.

The broken line showing of antennae in FIGS. 1, 2, 4, 7 and 8 is for illustrative purposes only and forms no part of the claimed design.

1 Claim, 8 Drawing Sheets

[56] References Cited

U.S. PATENT DOCUMENTS

D. 208,330	8/1967	Roegner .	
D. 224,159	7/1972	Griffin	D14/133
D. 276,611	12/1984	Takahashi et al.	D14/128
D. 307,584	5/1990	Saeki et al.	D14/126
D. 309,732	8/1990	Nuttall et al.	D14/113
D. 319,821	9/1991	Kawaguchi	D14/113
D. 324,677	3/1992	Gratton et al.	D14/126
D. 340,922	11/1993	Barbera	D14/113
D. 364,607	11/1995	Backs	D14/113
2,547,447	4/1951	De Boer .	
2,789,158	4/1957	Livingston .	
2,923,370	2/1960	De Capite .	
3,572,866	3/1971	Wolanin .	
3,627,392	12/1971	Ruppersburg .	
3,680,936	8/1972	Backhaus .	
3,926,487	12/1975	Reyes .	
4,070,546	1/1978	Hirota .	
4,177,484	12/1979	Boje .	
4,303,807	12/1981	Sato .	
4,524,384	6/1985	Lefkowitz et al. .	
4,525,746	6/1985	Mangold et al. .	
4,528,597	7/1985	Klein et al. .	

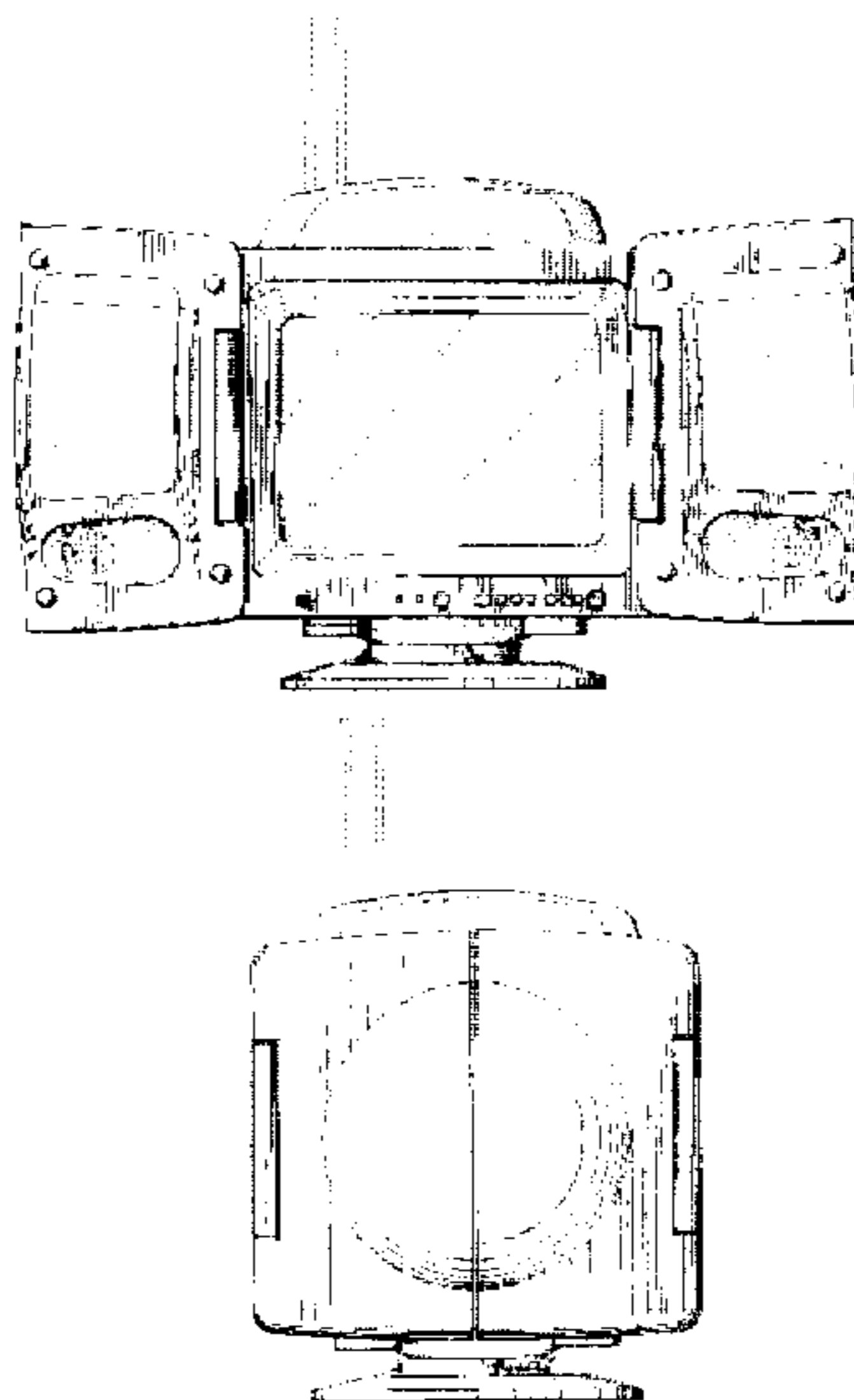


FIG. 1

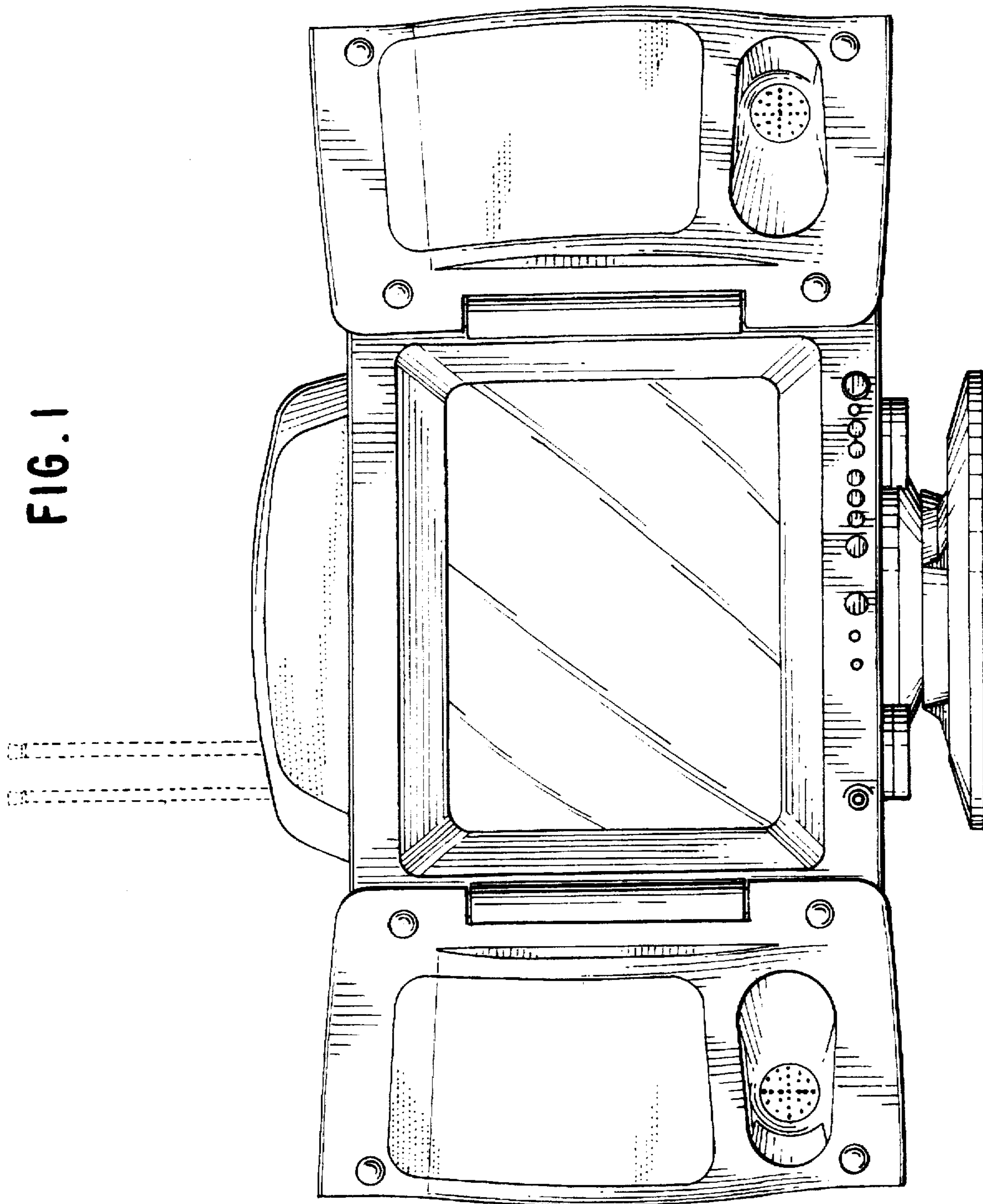
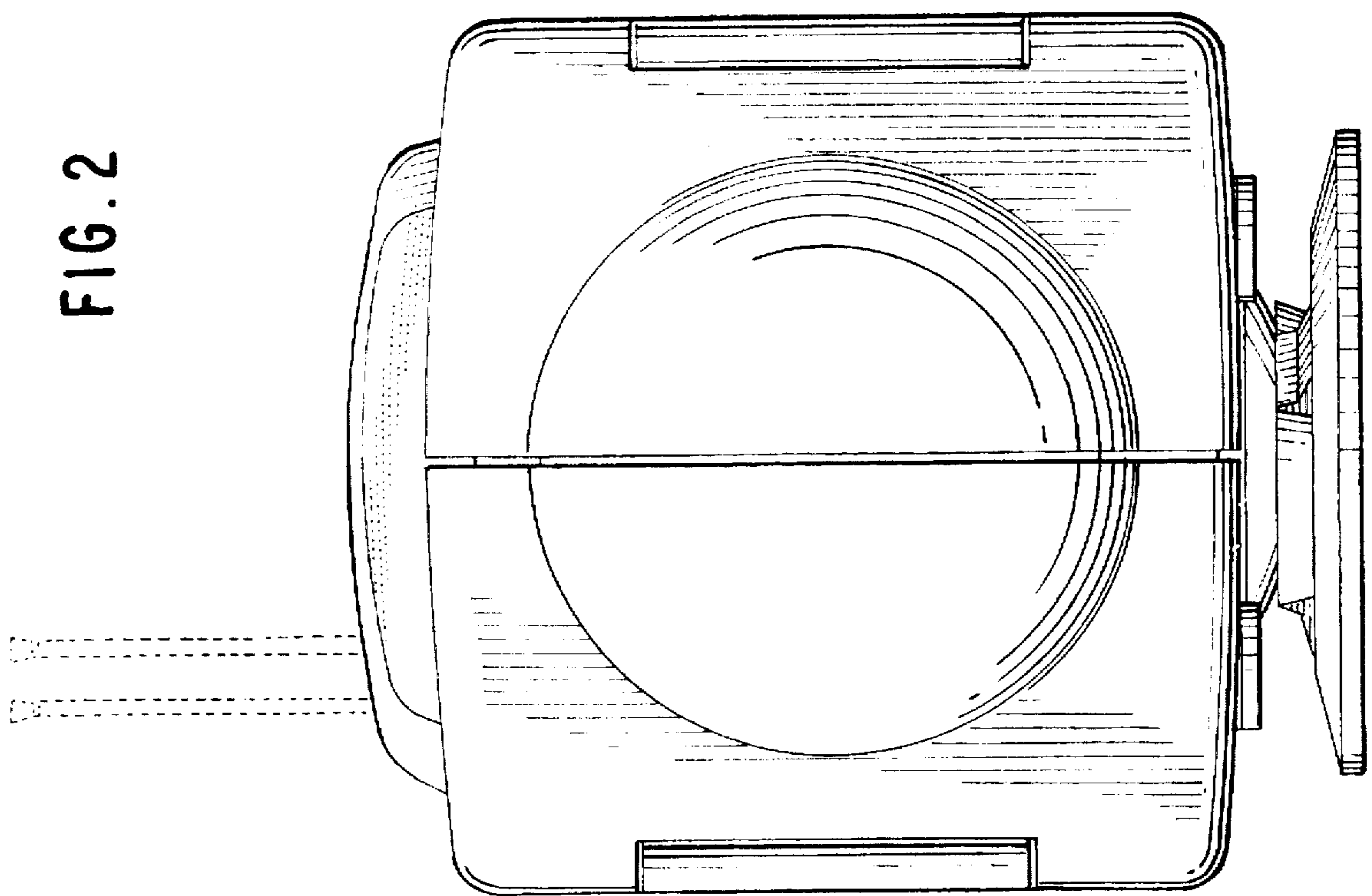


FIG. 2



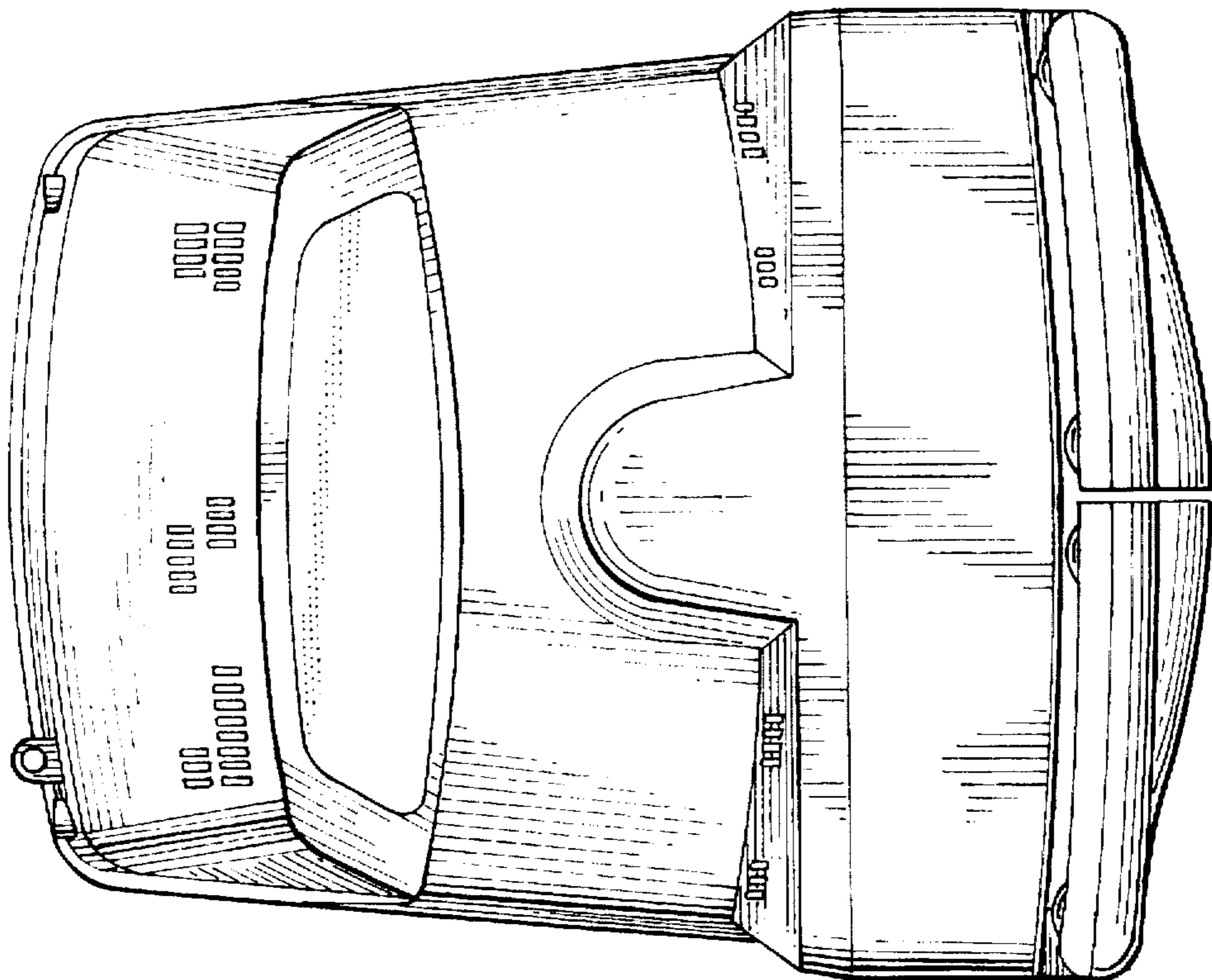
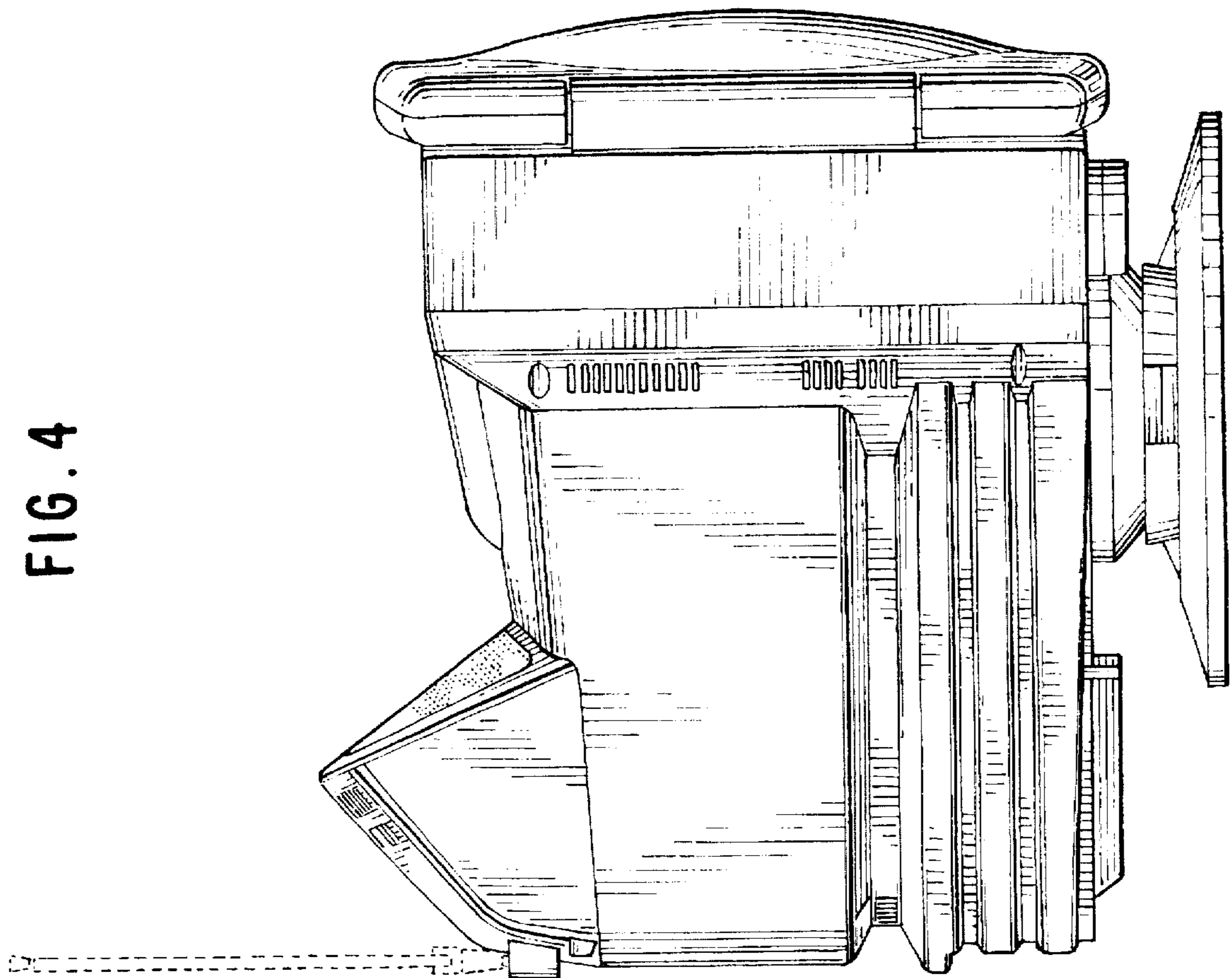


FIG. 3

FIG. 4



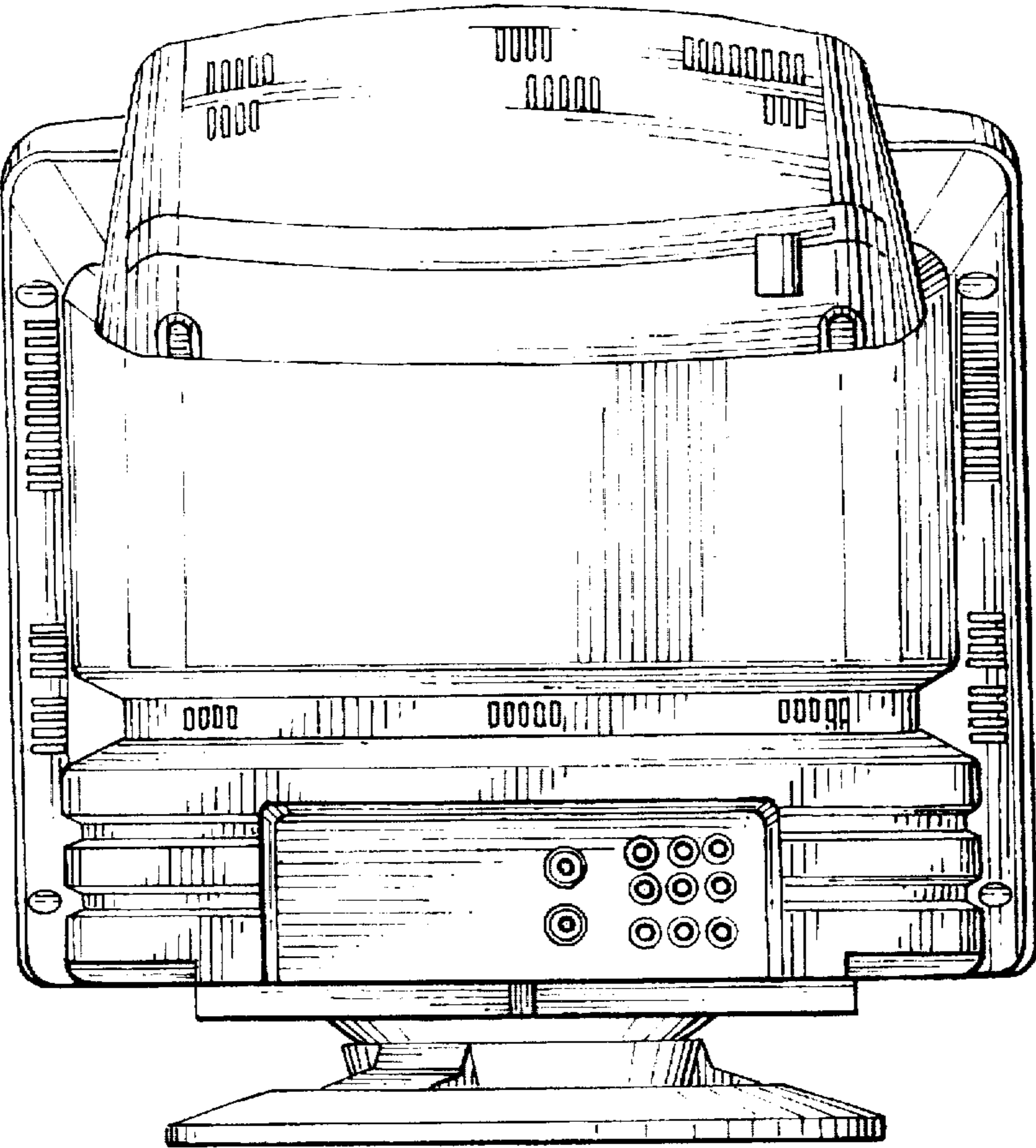


FIG. 5

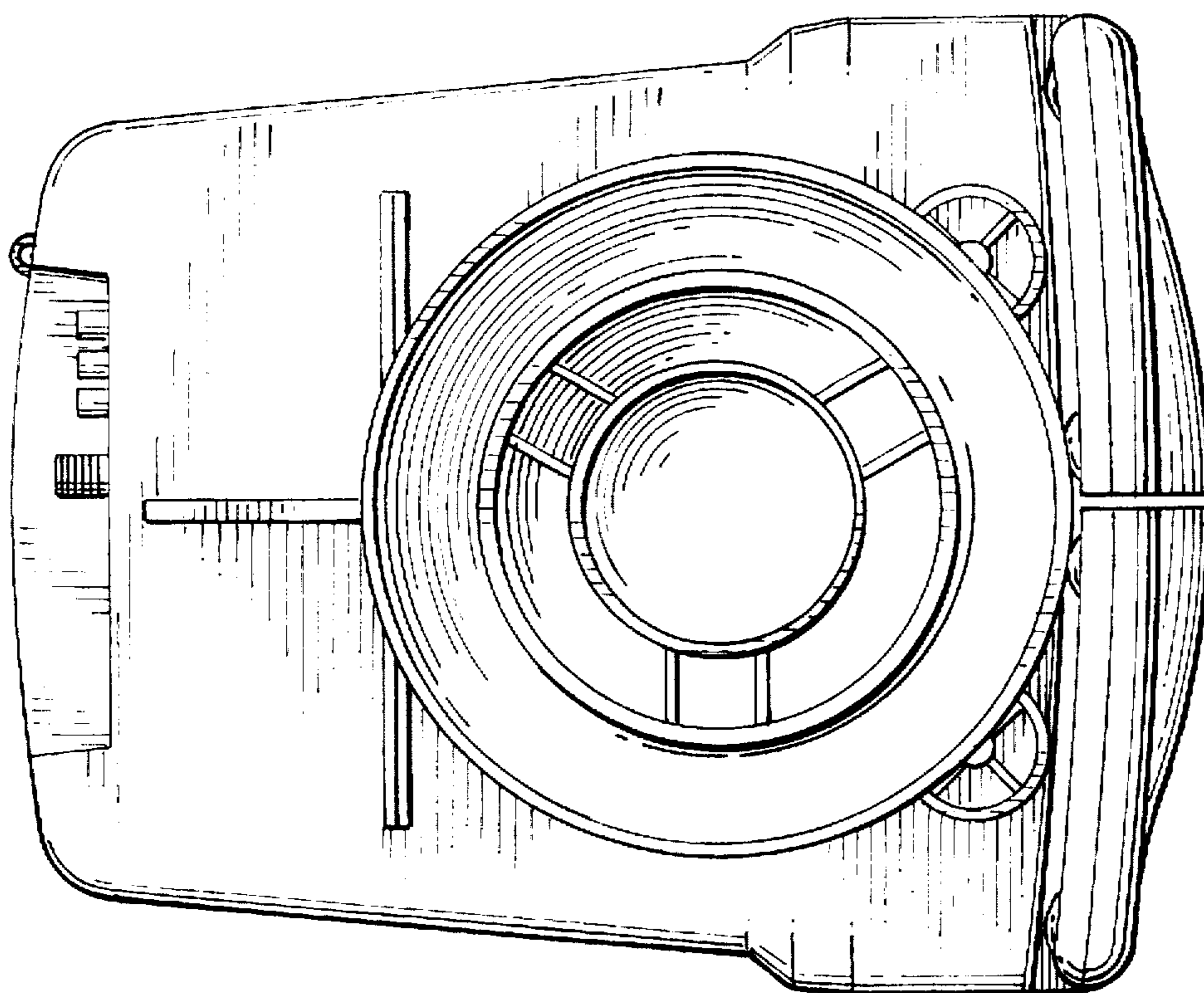


FIG. 6

FIG. 7

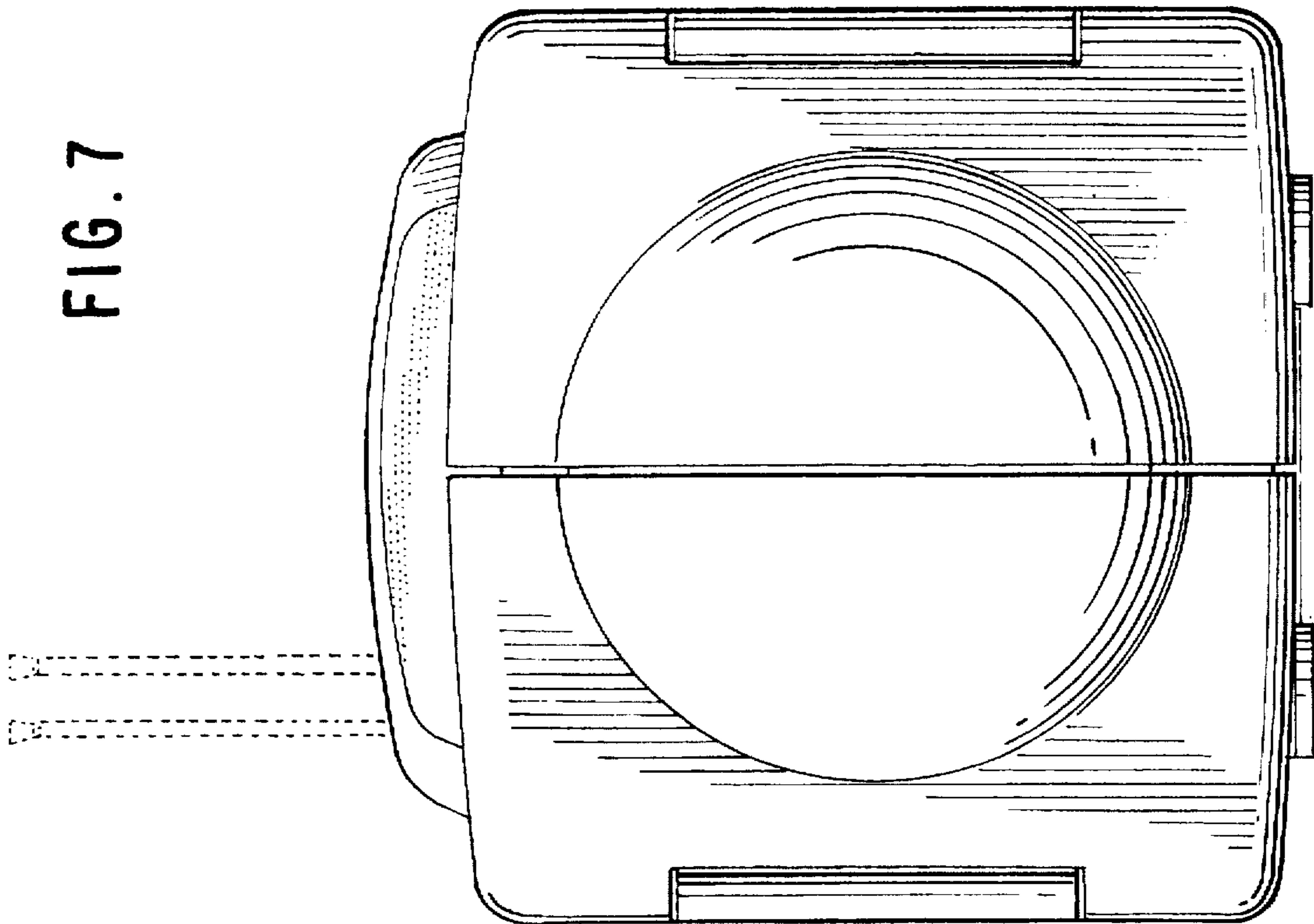


FIG. 8

